

STFE Elite Series - Active Tracking® Filters with Surge Protection



The SolaHD STF Elite DIN Rail Mount Series combines Active Tracking® technology with UL Listed surge protection to protect against the full spectrum of voltage transients and surges. It continuously tracks the input AC power line responding instantly into action upon detecting extraneous high frequency noise and high voltage transients caused by everyday events such as turning on machinery, motors, or equipment.

These devices are designed to meet UL 1449 3rd Edition, UL 1283, cUL recognized, and CE. STFE attenuates or reduces the amplitude of normal mode noise to a minimum of 90dB that occurs in a frequency range of 100KHz to 50MHz, and of common mode noise to a minimum of 60dB that occurs in a frequency range of 5MHz to 50MHz. STFE provides the industry's best IEEE C62.41 Category "A & B" Ringwave protection.

They are built to meet your unique requirements, and are available in hardwired DIN Rail mount, single phase configuration. They are designed for years of trouble free operation and require little or no operator intervention after installation.

Related Products

- Power Conditioners
- Uninterruptible Power System
- Power Supplies

Features

- Series connected DIN Rail mounted filter
- Patented durable metal mount clip
- UL Listed Surge current capacity – 45,000 Amps
- Transient protection in all modes (L-N, L-G, and N-G)
- Single Phase applications up to 20 Amp
- Operating Temperature from -40°C to +50°C
- Screw Terminal Connections
 - Reliable and convenient screw clamp connections
 - Accept 10-16 AWG wire
 - Meet IP20 specifications for ingress protection
- LED status indication
- Form C contact for remote monitoring
- UL 1449 3rd Edition, UL 1283, cUL recognized component, CE
- 5 Year Limited Warranty

Applications

- Control Panels
- Factory Automation Installations
- Point of Use Industrial Equipment
- Programmable Logic Controllers
- Dedicated Industrial and Machine Tools Equipment

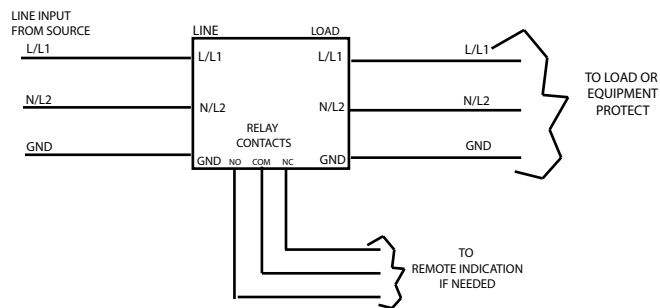
Selection Table

Catalog Number	Input Voltage	
	STFE030-10N	120 V
STFE050-10N	120 V	Single Phase 2 Wire + Ground
STFE100-10N	120 V	Single Phase 2 Wire + Ground
STFE200-10N	120 V	Single Phase 2 Wire + Ground
STFE030-24L	240 V	Single Phase 2 Wire + Ground
STFE050-24L	240 V	Single Phase 2 Wire + Ground
STFE100-24L	240 V	Single Phase 2 Wire + Ground
STFE200-24L	240 V	Single Phase 2 Wire + Ground

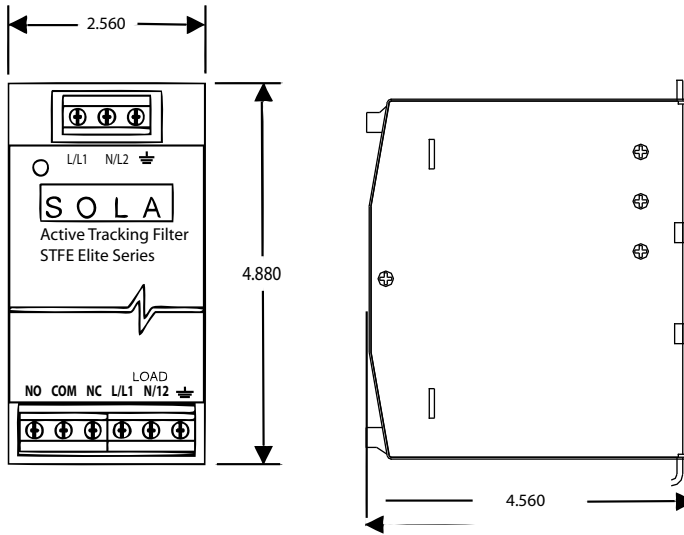
STFE Specifications

Description	STFEXXX-10N	STFEXXX-24L
Input Voltage	120 V (0-150 VRMS)	240 V (0-275 VRMS)
Line Frequency	47 - 63 Hz	
Response Time	< .5 ns normal mode, <5 ns common mode	
Enclosure	Fully Enclosed Metal Housing	
Fusing	Reference Fuse/Circuit Breaker Chart	
Status Indication	Green LED "OK"/Form C Contact/10 Amps @ 250 Vac or 5 Amps @ 100 Vdc	
Connection/Mounting Type	DIN Rail Mount	
Operating Temperature	-40°C to +50°C at full load Derate Linearly to 60% at +70°C	
Weight (Kg)	1.7 lbs (0.7kg)	
Dimensions – in (mm) (H x W x D)	4.88 x 2.56 x 4.56 (124 x 65 x 116)	
Operating Humidity	0% to 95% Non-condensing	
Peak Surge Current Capability	Per Phase	30,000 Amps
	Line to Neutral	20,000 Amps
	Line to Ground	10,000 Amps
	Neutral to Ground	10,000 Amps
Load Surge Current Rating	10m Sec	5 x Nominal
	1 sec	3 x Nominal
	10 sec	2 x Nominal
Frequency Response		
Normal Mode (Forward–Reverse)	100 kHz to 50 MHz	90 dB Max
Common Mode (Forward–Reverse)	5 MHz to 50 MHz	60 dB Max
Transient Reduction (IEEE C62.41)	Typical Category A Ringwave (6 kV, 200A, 100 kHz)	< 60 V Peak
	Typical Category B Ringwave (6 kV, 500A, 100 kHz)	<100 V Peak UL 1449
Safety	UL 1449 3rd Edition, UL1283, cUL Recognized Component, CE	

Connection Diagram



Dimensional Diagram



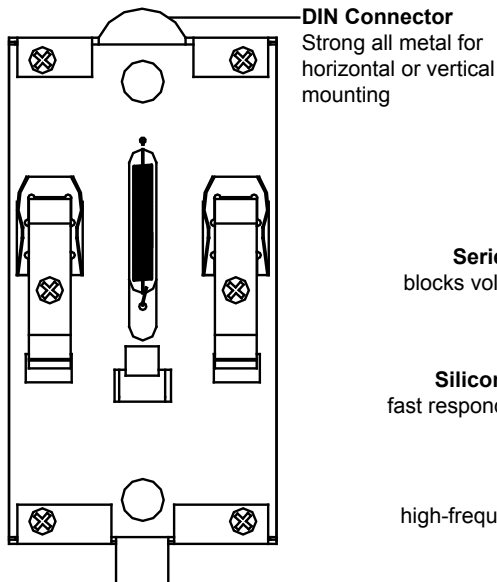
Wiring Specifications

Catalog Number	Amps	Min Wire Size* (AWG Suggested)	Fuse/Circuit Breaker Ampacity	
			Suggest	Max
Single-Phase Models (120 Vac)				
STFE030-10N	3.0	24	3A	3.75A
STFE050-10N	5.0	22	5A	6.25A
STFE100-10N	10.0	20	10A	12.5A
STFE200-10N	20.0	12	20A	25A
Single-Phase Models (240 Vac)				
STFE030-24L	3.0	24	3A	3.75A
STFE050-24L	5.0	22	5A	6.25A
STFE100-24L	10.0	20	10A	12.5A
STFE200-24L	20.0	12	20A	25A

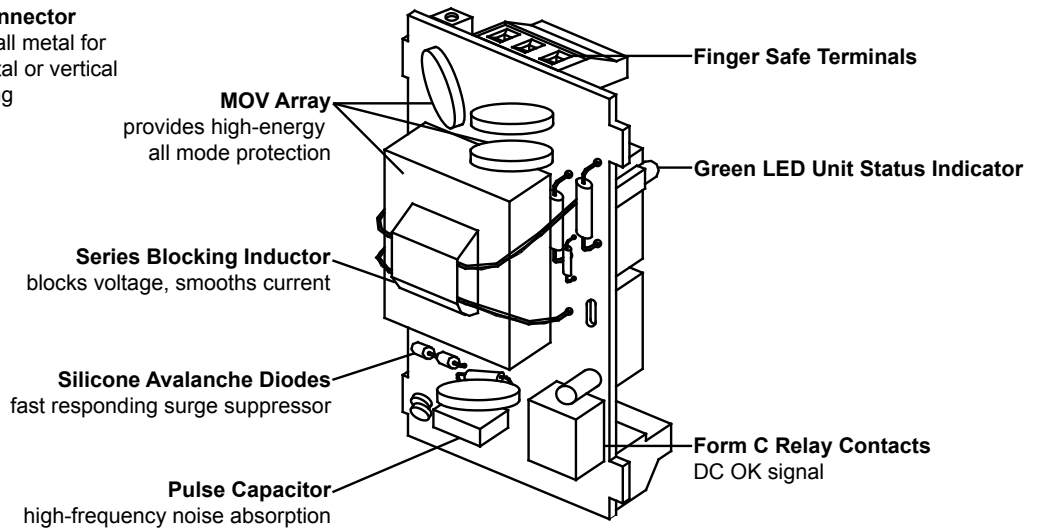
*16 AWG wire or larger may be required by code dependent upon the application.

Internal Diagram

Rear View



Internal View of Components



Contact **Technical Services** at (800) 377-4384 with any questions.
Visit our website at www.solahd.com.