



Position switch with safety function

ES 95 W 2Ö

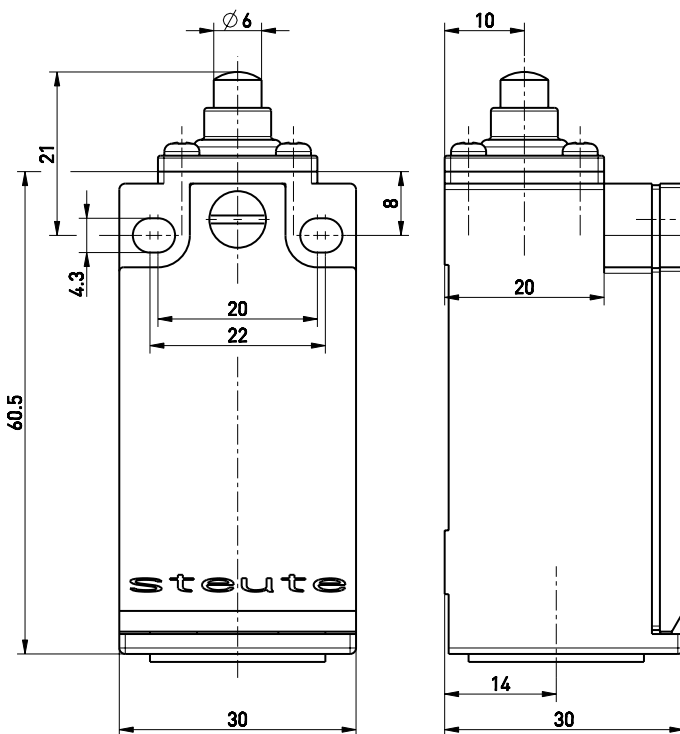
Material number: 1050303 (Material number old: 95502001)

Features/Options:

- Thermoplastic enclosure
- Design to EN 50047
- Horizontally slotted mounting holes
- Double insulated \square
- Slow action \ominus , 2 NC contacts with double break

- Good resistance to oil and petroleum spirit
- Actuator: Plunger with collar W
- Actuator type B to EN 50047
- Watertight collar for protection against penetration of dirt

Dimensions



Technical data

Applied standards	EN ISO 13849-1; EN 60947-5-1; EN ISO 14119
Enclosure	glass-fibre reinforced, shock-proof thermoplastic, self-extinguishing UL 94 V-0
Tightening torque	enclosure mounting screws: 1.2 ... 1.3 Nm cover screws: max. 0.7 Nm
Switch type	type 1
Coding level	no coding
Degree of protection	IP 67 to IEC/EN 60529
Contact material	silver
Switching system	slow action, positive break NC contacts \ominus
Switching elements	2 NC contacts, type Zb
Connection	screw connection terminals
Cable cross-section	max. 2.5 mm ² (incl. conductor ferrules)
Cable entry	1 x M20 x 1.5
B _{10d} (10 % load)	2 million
T _M	max. 20 years
Rated impulse withstand voltage U _{imp}	4 kV
Rated operating isolation voltage U _i	400 V
Conventional thermal current I _{the}	6 A
Utilisation category	AC-15; DC-13
Rated operating current/voltage I _e /U _e	6 A/400 VAC; 0.25 A/230 VDC; 4 A/24 VDC
Short-circuit protection	6 A gG/gN fuse

Errors and omissions excepted.



Position switch with safety function

ES 95 W 2Ö

Material number: 1050303 (Material number old: 95502001)

Technical data

Mechanical life > 1 million operations

Operation cycles max. 1800/h

Ambient temperature -20 °C ... +80 °C

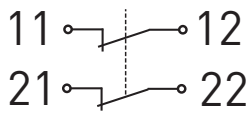
Contact opening max. 2 x 3.5 mm

Approvals



Weight 54 g

Contact diagram



Switching diagram

