

## NPN power transistors

### Features

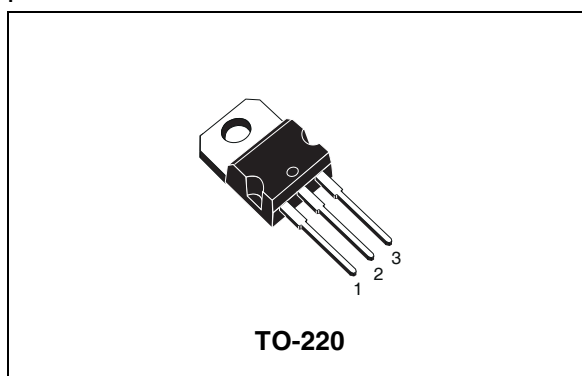
- NPN transistors

### Applications

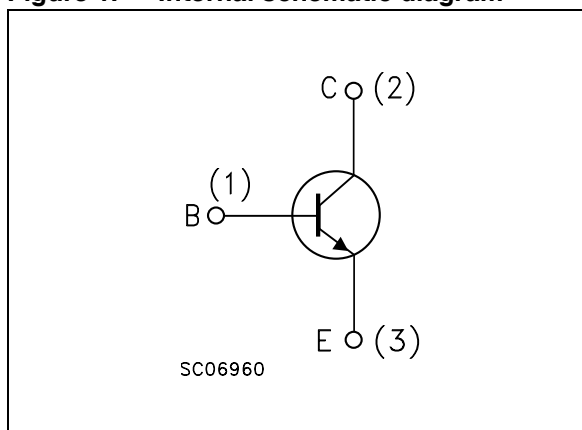
- Audio, linear and switching applications

### Description

The devices are manufactured in Planar technology with “Base Island” layout. The resulting transistor shows exceptional high gain performance coupled with very low saturation voltage. The PNP types are TIP30A and TIP30C.



**Figure 1. Internal schematic diagram**



**Table 1. Device summary**

Order codes	Marking	Package	Packaging
TIP29A	TIP29A	TO-220	Tube
TIP29C	TIP29C	TO-220	Tube

# 1 Absolute maximum ratings

**Table 2. Absolute maximum ratings**

Symbol	Parameter	Value		Unit
		TIP29A	TIP29C	
$V_{CBO}$	Collector-base voltage ( $I_E = 0$ )	60	100	V
$V_{CEO}$	Collector-emitter voltage ( $I_B = 0$ )	60	100	V
$V_{EBO}$	Emitter-base voltage ( $I_C = 0$ )	5		V
$I_C$	Collector current	1		A
$I_{CM}$	Collector peak current ( $t_p < \text{ms}$ )	3		A
$I_B$	Base current	0.4		A
$P_{TOT}$	Total dissipation at $T_c \leq 25^\circ\text{C}$	30		W
	Total dissipation at $T_{amb} \leq 25^\circ\text{C}$	2		W
$T_{stg}$	Storage temperature	-65 to 150		$^\circ\text{C}$
$T_J$	Max. operating junction temperature	150		$^\circ\text{C}$

## 2 Electrical characteristics

( $T_{\text{case}} = 25^{\circ}\text{C}$ ; unless otherwise specified)

**Table 3. Electrical characteristics**

Symbol	Parameter	Test Conditions	Min.	Typ.	Max.	Unit
$I_{\text{CEO}}$	Collector cut-off current ( $I_{\text{B}} = 0$ )	for TIP29A $V_{\text{CE}} = 30\text{V}$ for TIP29C $V_{\text{CE}} = 60\text{V}$			0.3 0.3	mA mA
$I_{\text{CES}}$	Collector cut-off current ( $V_{\text{BE}} = 0$ )	for TIP29A $V_{\text{CE}} = 60\text{V}$ for TIP29C $V_{\text{CE}} = 100\text{V}$			0.2 0.2	mA mA
$I_{\text{EBO}}$	Emitter cut-off current ( $I_{\text{C}} = 0$ )	$V_{\text{EB}} = 5\text{V}$			1	mA
$V_{\text{CEO(sus)}}^{(1)}$	Collector-emitter sustaining voltage ( $I_{\text{B}} = 0$ )	$I_{\text{C}} = 30\text{mA}$ for TIP29A for TIP29C	60 100			V V
$V_{\text{CE(sat)}}^{(1)}$	Collector-emitter saturation voltage	$I_{\text{C}} = 1\text{A}$ $I_{\text{B}} = 125\text{mA}$			0.7	V
$V_{\text{BE}}^{(1)}$	Base-emitter voltage	$I_{\text{C}} = 1\text{A}$ $V_{\text{CE}} = 4\text{V}$			1.3	V
$h_{\text{FE}}^{(1)}$	DC current gain	$I_{\text{C}} = 0.2\text{A}$ $V_{\text{CE}} = 4\text{V}$ $I_{\text{C}} = 1\text{A}$ $V_{\text{CE}} = 4\text{V}$	40 15		75	

1. Pulsed duration = 300 ms, duty cycle  $\geq 1.5\%$ .

### 3 Package mechanical data

In order to meet environmental requirements, ST offers these devices in ECOPACK® packages. These packages have a Lead-free second level interconnect . The category of second level interconnect is marked on the package and on the inner box label, in compliance with JEDEC Standard JESD97. The maximum ratings related to soldering conditions are also marked on the inner box label. ECOPACK is an ST trademark.

**TO-220 Mechanical data**

DIM.	mm.		
	MIN.	TYP	MAX.
A	4.40		4.60
b	0.61		0.88
b1	1.14		1.70
c	0.49		0.70
D	15.25		15.75
D1		1.27	
E	10		10.40
e	2.40		2.70
e1	4.95		5.15
F	1.23		1.32
H1	6.20		6.60
J1	2.40		2.72
L	13		14
L1	3.50		3.93
L20		16.40	
L30		28.90	
øP	3.75		3.85
Q	2.65		2.95

