

# C3225X7R2E224K200AM

TDK Item Description : C3225X7R2E224KT5\*\*\*

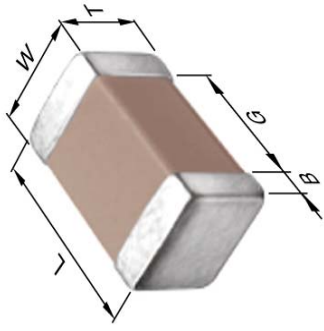


## Application & Main Feature

Commercial Grade ( Open Mode )

## Series

C3225 [EIA CC1210]



## Dimensions

L 3.20mm +/-0.4mm  
 W 2.50mm +/-0.3mm  
 T 2.00mm +/-0.2mm  
 B 0.20mm Min.  
 G

## Temperature Characteristic

X7R (-55 to 125 degC +/-15%)

## Rated Voltage

2E (250Vdc)

## Capacitance

220nF

## Capacitance Tolerance

K (+/-10%)

## Dissipation Factor

3% Max.

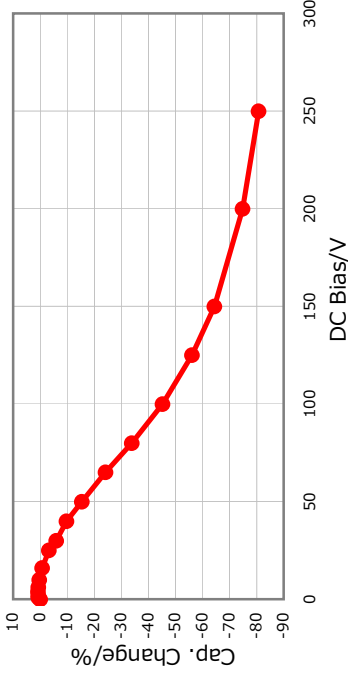
## Insulation Resistance

2.27Gohm Min.

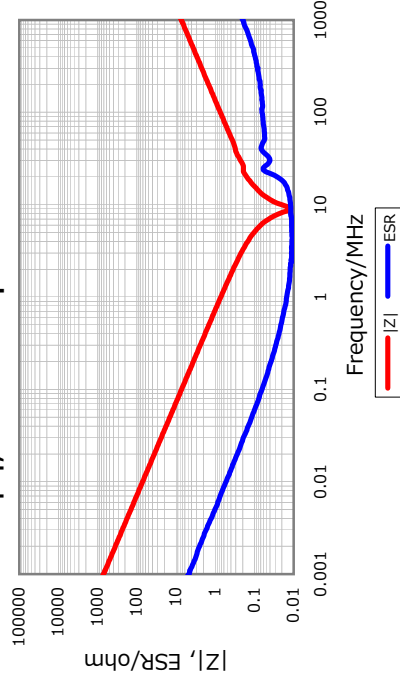
## AEC-Q200

Not Applicable

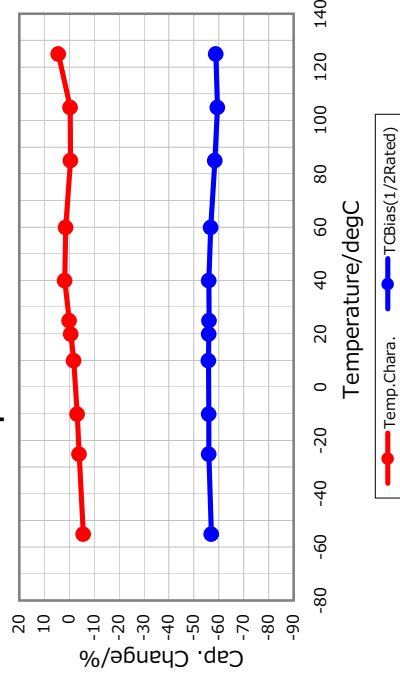
## DC Bias Characteristic



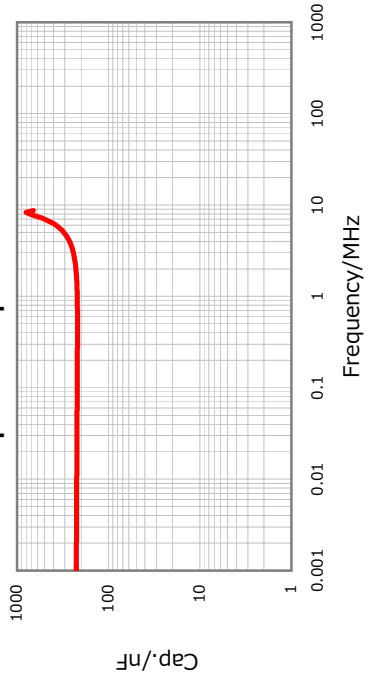
## |Z|, ESR vs. Freq. Characteristics



## Temperature Characteristics



## Cap. vs. Freq. Characteristic



## Ripple Temperature Rise Characteristics

