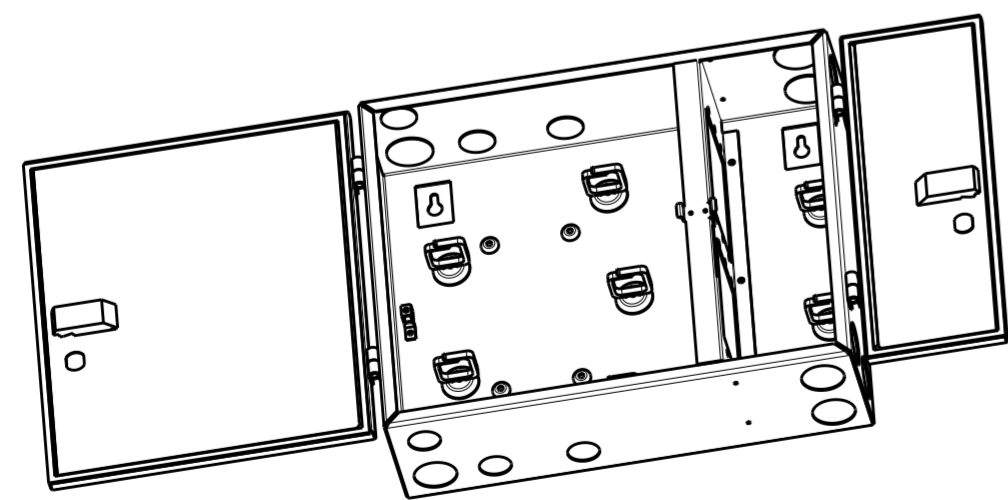
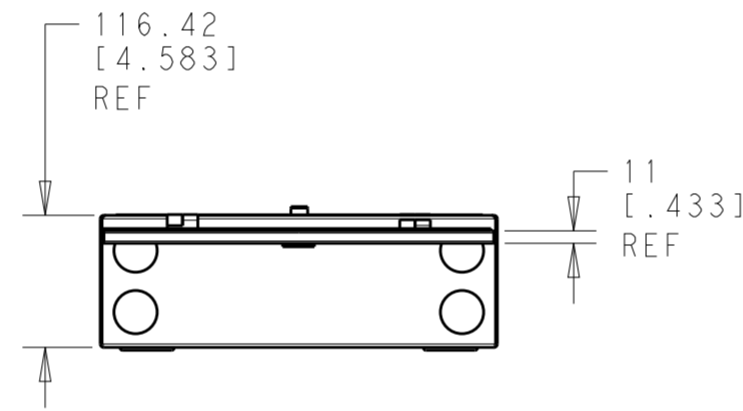
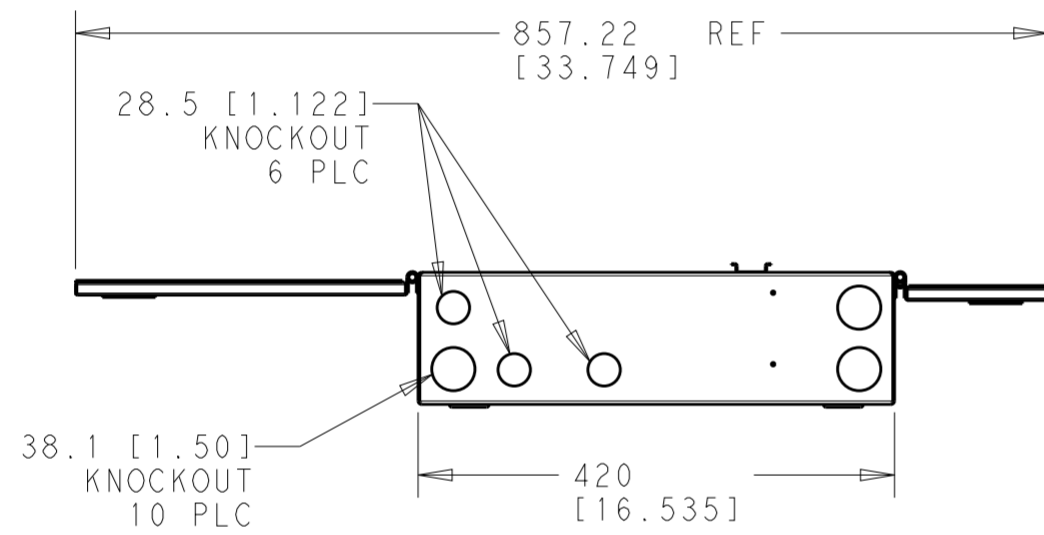
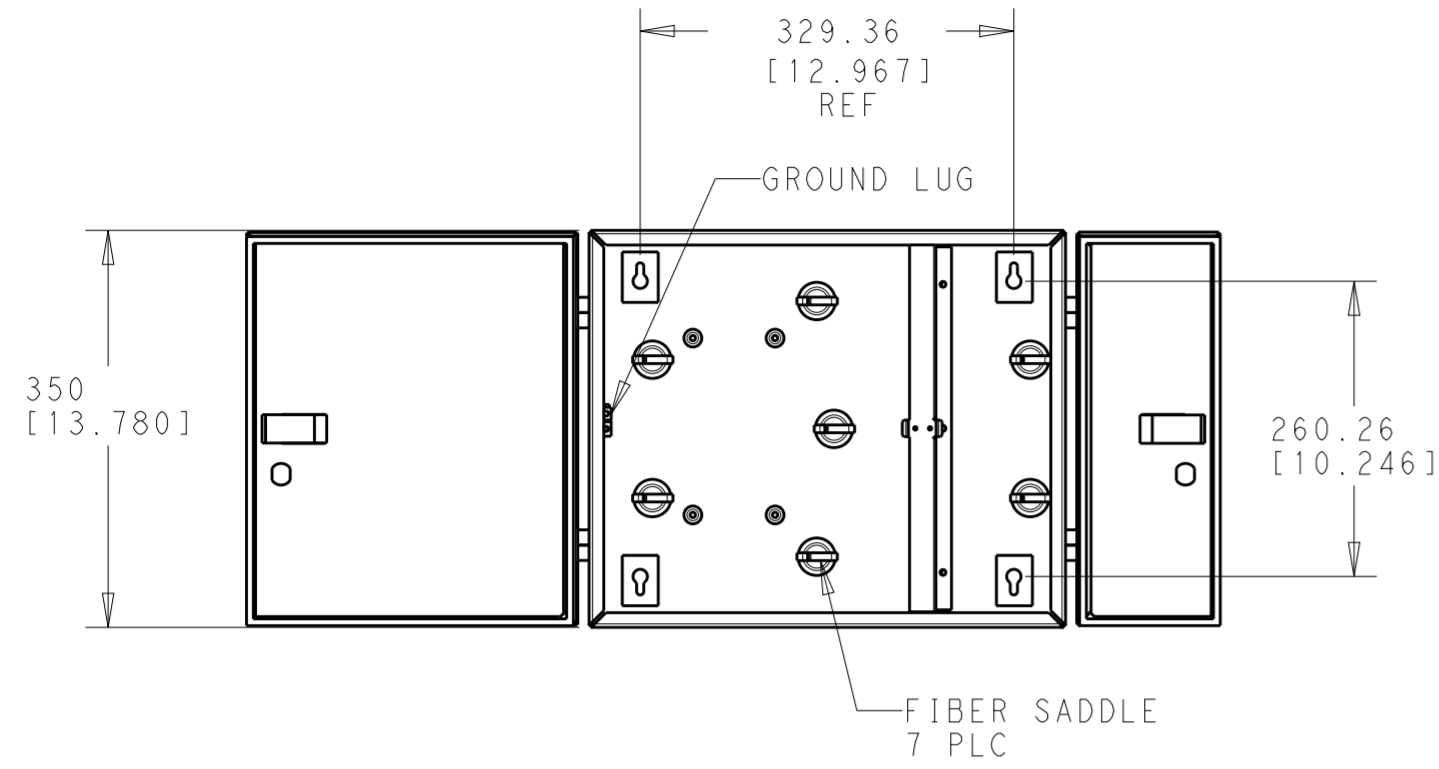


THIS DRAWING IS UNPUBLISHED. RELEASED FOR PUBLICATION 20
 © COPYRIGHT 20 BY - ALL RIGHTS RESERVED.

REVISIONS				
P	LTR	DESCRIPTION	DATE	APVD
	D	ECO-13-017255	04NOV2013	JM TE



- THE FOLLOWING LABELS ARE PROVIDED:
 (1) LASER WARNING LABEL
 (4) 36/72 LINE LABEL

- ENCLOSURE WILL ACCEPT (6) SIX SNAP-IN ADAPTER PLATES.

- 3 1278755-3 INCLUDES THE FOLLOWING:
 (1) CABLE GLAND P/N 1374609-1. FITS 1.50"Ø KO. AND ACCEPTS .60"-1.00"Ø CABLE.
 (1) CABLE GLAND P/N 1374609-2. FITS 1.122"Ø KO. AND ACCEPTS .35"-.70"Ø CABLE.
 (2) GROMMETS P/N 1374608-1. FITS 1.50"Ø KO. MAX. 1.125"Ø OPENING.

- 4 1278755-4 INCLUDES THE FOLLOWING:
 (1) CABLE GLAND P/N 220759-000. FITS 1.50"Ø KO. AND ACCEPTS .60"-1.00"Ø CABLE.
 (1) CABLE GLAND P/N 506473-000. FITS 1.122"Ø KO. AND ACCEPTS .35"-.70"Ø CABLE.
 (2) GROMMETS P/N 1374608-1. FITS 1.50"Ø KO. MAX. 1.125"Ø OPENING.
 (1) SPLICE TRAY HOLDER KIT P/N 137419-1. (ACCEPTS UP TO 4 SPLICE TRAYS P/N 559433).

4	BLACK	1278755-4
3	BLACK	1278755-3
-	GRAY	1278755-2
-	BLACK	1278755-1
ACCESSORIES	FINISH	PART NO.

SUPERCEDED BY:
1278755-4

THIS DRAWING IS A CONTROLLED DOCUMENT.		DWN T GREEN TOAPROO	STE TE Connectivity	
DIMENSIONS: mm [INCHES]		CHK J. HOFFER TOAPROO	NAME DB 36/72 CHASSIS ASSEMBLY	
TOLERANCES UNLESS OTHERWISE SPECIFIED: 0 PLC ±0.3 1 PLC ±0.3 2 PLC ±0.3 3 PLC ± 4 PLC ± ANGLES ± FINISH SEE TABLE		APVD D. MCCLEURE TOAPROO	SIZE A200779	
MATERIAL 1.5mm STL		PRODUCT SPEC -	DRAWING NO C-1278755	
		APPLICATION SPEC -	RESTRICTED TO -	
		WEIGHT -	SCALE 1:4 SHEET 1 OF 1 REV D	
		CUSTOMER DRAWING		