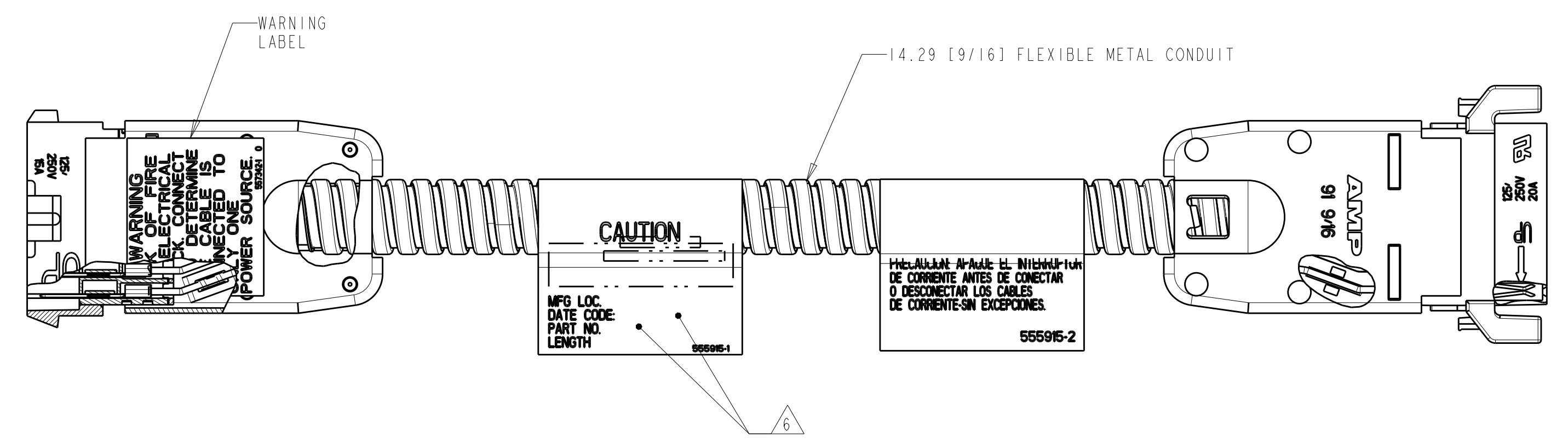
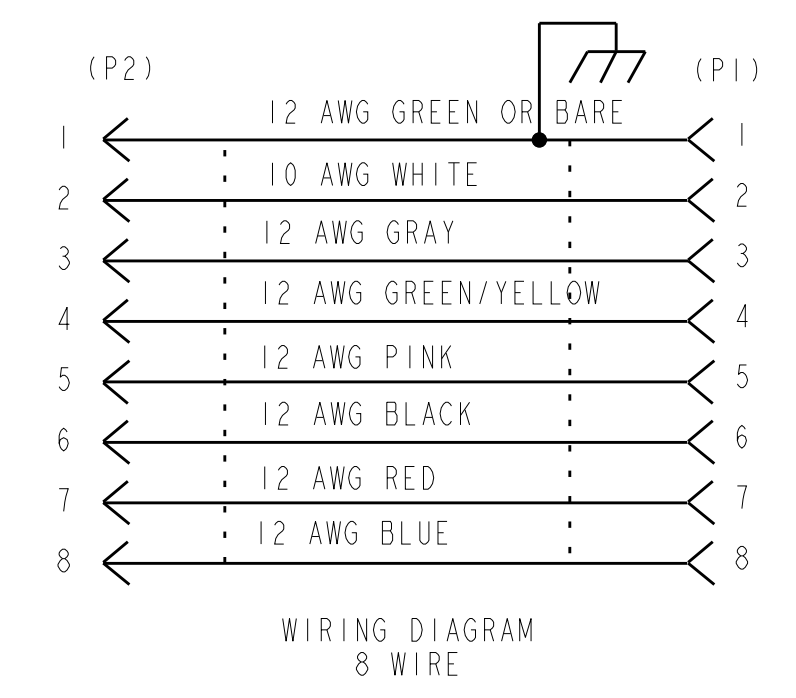
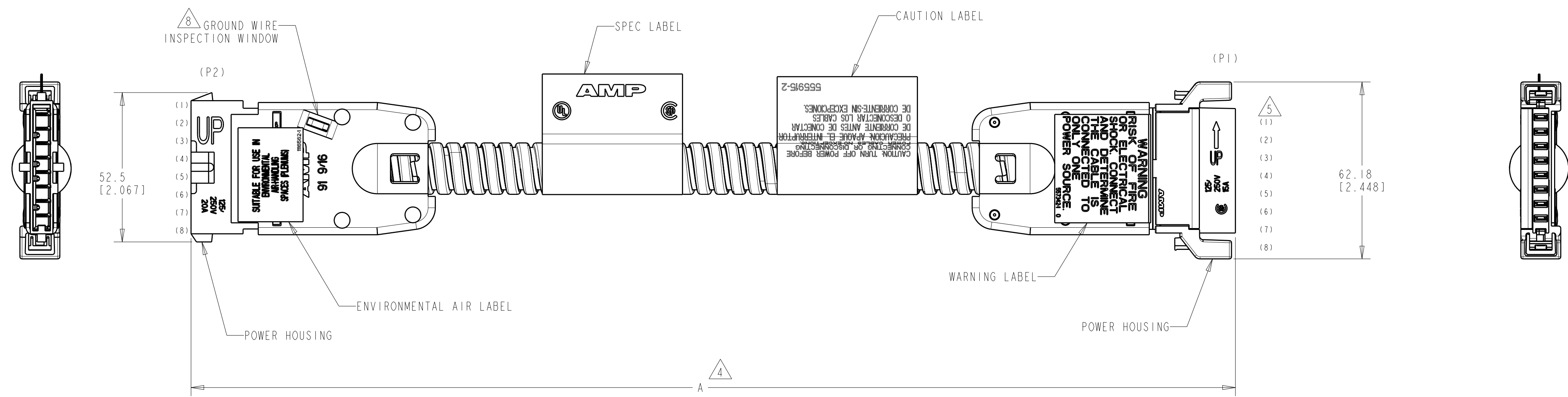
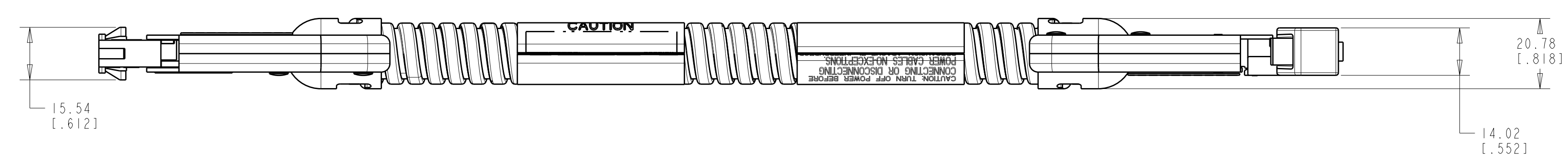


LOC	DIST	REVISIONS					
		P	LTN	DESCRIPTION	DATE	DMN	APVD
HM	00	V		REV PER ECO-12-020239	04DEC2012	JM	MS



- 1 DIMENSIONS SHOWN ARE MAXIMUM UNLESS OTHERWISE SPECIFIED.
- 2. CABLE ASSEMBLY IS WIRED PER ELECTRICAL DIAGRAM.
- 3 MATERIAL:
 CONNECTOR HOUSINGS - POLYCARBONATE, UL 94V-0, BLACK.
 STRAIN RELIEFS - CARBON STEEL WITH NICKEL PLATING
 5.08µm [0.000200] MINIMUM THICK
 CONTACTS - COPPER ALLOY WITH SILVER PLATED STRIP
 3.81µm [0.000150] MINIMUM THICK.
- 4 DIMENSION "A" SHALL BE MEASURED WITH CONDUIT IN THE RELAXED POSITION.
- 5 DESIGNATIONS IN PARENTHESES () ARE FOR REFERENCE ONLY.
- 6 MANUFACTURING LOCATION, DATE CODE, PART NUMBER AND LENGTH SHALL BE INK STAMPED WHERE INDICATED.
- 7. APPLICATION:
 AMPINERGY™ MODULAR WIRING SYSTEM, A MANUFACTURED WIRING SYSTEM.
- 8 USE GROUNDED WIRE INSPECTION WINDOW TO VERIFY BONDING AND GROUNDING CONDUCTOR.



1-556731-3	15.24 [50.00]
2-556731-9	12.19 [40.00]
2-556731-8	9.14 [30.00]
2-556731-4	7.62 [25.00]
2-556731-6	6.10 [20.00]
556731-3	4.57 [15.00]
2-556731-5	3.05 [10.00]
1-556731-1	1.52 [5.00]
1-556731-0	1.22 [4.00]
556731-8	0.91 [3.00]
556731-6	0.61 [2.00]
PART NO.	A DIM M [FEET]

THIS DRAWING IS A CONTROLLED DOCUMENT. DMN T. PITTS 19DEC01
 CHK L. SMITH 02JAN02
 APVD F. LINCOLN 02JAN02

TE TE Connectivity

DIMENSIONS: MM [INCHES] TOLERANCES UNLESS OTHERWISE SPECIFIED:
 0 PLC ± 0.15 (1)
 1 PLC ± 0.25 (1)
 2 PLC ± 0.30 (1)
 3 PLC ± 0.40 (1)
 4 PLC ± 0.50 (1)
 ANGLES ± 0.5 (1)
 FINISH ± 0.1 (1)

NAME: CABLE ASSEMBLY, POWER TO LINE, 8 WIRE
 PRODUCT SPEC: -
 APPLICATION SPEC: -

SIZE: A1 CAGE CODE: 00779 DRAWING NO: 556731 RESTRICTED TO: -
 WEIGHT: -
 MATERIAL: - FINISH: -

CUSTOMER DRAWING SCALE: 1:1 SHEET: 1 OF 1 REV: V

Mouser Electronics

Authorized Distributor

Click to View Pricing, Inventory, Delivery & Lifecycle Information:

[TE Connectivity:](#)

[2-556731-7](#)