

## 1437568-6 Product Details

[Share](#) [Print](#) [Email](#)




**1437568-6**  
(MSPS103C2)

TE Internal Number: 1437568-6

 Active

[View 3D PDF](#)

### Pushbutton Switches

 Always EU RoHS/ELV Compliant  
(Statement of Compliance)

### Product Highlights:

- Switch
- Not Tactile
- Single Pole - Single Throw Configuration (Pole-Throw)
- Contact Rating = 0.5A
- Operating Function = Normally Open, Momentary

[View all Features](#)

### Quick Links

- ▶ [Pricing & Availability](#)
- ▶ [Search for Tooling](#)
- ▶ [Product Feature Selector](#)
- ▶ [Contact Us About This Product](#)

[Add to My Part List](#)

[Request Sample](#)

[Find Similar Products](#)

[Buy Product](#)

### Documentation & Additional Information

#### Product Drawings:

- [SWITCH PUSH BUTTON \(MSPS103XX\)](#) (PDF, English)

#### Catalog Pages/Data Sheets:

- None Available

#### Product Specifications:

- None Available

#### Application Specifications:

- None Available

#### Instruction Sheets:

- None Available

#### CAD Files: [\(CAD Format & Compression Information\)](#)

- [2D Drawing](#) (DXF, Version B)
- [3D Model](#) (IGES, Version B)
- [3D Model](#) (STEP, Version B)

[List all Documents](#)

#### Related Products:

- [Tooling](#)

### Product Features (Please use the Product Drawing for all design activity)

#### Product Type Features:

- Product Type = Switch
- Tactile = No
- Series = MSPS
- Mount Angle = Vertical
- Termination Type = Wire Lugs
- Actuator Style = Round

#### Electrical Characteristics:

- Contact Rating = 0.5A

#### Dimensions:

- Actuator Length (mm [in]) = 5.08 [0.200]
- Bushing Diameter = 1/4-40
- Bushing Length (mm [in]) = 6.22 [0.245]

#### Body Features:

#### Housing Features:

- Process Sealed = No
- Low Profile = No

#### Configuration Features:

- Configuration (Pole-Throw) = Single Pole - Single Throw
- Operating Function = Normally Open, Momentary
- Ganged = No
- ESD Grounding Terminal = Without
- Number of Actuators = Single
- Illuminated = No
- Dust Proof = No
- Support Bracket = Without
- Snap Action = Without

#### Industry Standards:

- Mount Style = Panel
- Actuator Profile = Extended
- Actuator Color = Red
- Bushing Style = Threaded
- Case Material = Thermoplastic (LCP)
- Actuator Material = Thermoplastic

**Contact Features:**

- Contact Plating = Silver
- Contact Base Material = Copper Alloy

- [RoHS/ELV Compliance](#) = RoHS compliant, ELV compliant
- [Lead Free Solder Processes](#) = Hand solderable with lead free solder
- RoHS/ELV Compliance History = Always was RoHS compliant

**Conditions for Usage:**

- Temperature Rating = Standard

**Packaging Features:**

- Packaging Method = Loose Piece/Bulk

**Other:**

- Brand = Alcoswitch

**Corporate Information**

- [About TE](#)
- [Investors](#)
- [News Room](#)
- [Supplier Portal](#)
- [Careers](#)
- [Terms & Conditions](#)
- [Privacy Policy](#)

**Quick Links**

- [Distributor Inventory](#)
- [Product Cross Reference](#)
- [Documents & Drawings](#)
- [Product Compliance Support Center](#)
- [Site Map](#)

**Customer Support**

- [Email or Chat With Us](#)
- [Find a Phone Number](#)
- [Knowledge Base](#)
- [Manage Your Account](#)

**Keep Me Informed**



THIS DRAWING IS UNPUBLISHED. RELEASED FOR PUBLICATION  
 © COPYRIGHT - By - ALL RIGHTS RESERVED.

LOC		DIST		REVISIONS			
P	LTR	DESCRIPTION		DATE	DWN	APVD	
	B1	REVISED PER ECO-11-004587		11MAR11	RK	HMR	

SPECIFICATIONS:

MATERIALS:

CASE: THERMOPLASTIC  
 ACTUATOR BUTTON: THERMOPLASTIC,  
 BUSHING: COPPER ALLOY, NICKEL PLATE.  
 NUT: COPPER ALLOY, NICKEL PLATE.  
 WASHER: STEEL, NICKEL PLATE.  
 SPRING: STAINLESS STEEL.  
 MOVING CONTACT: COPPER ALLOY, SILVER OVER NICKEL PLATE.  
 FIXED CONTACT/TERMINALS: COPPER ALLOY, SILVER PLATE.

ELECTRICAL:

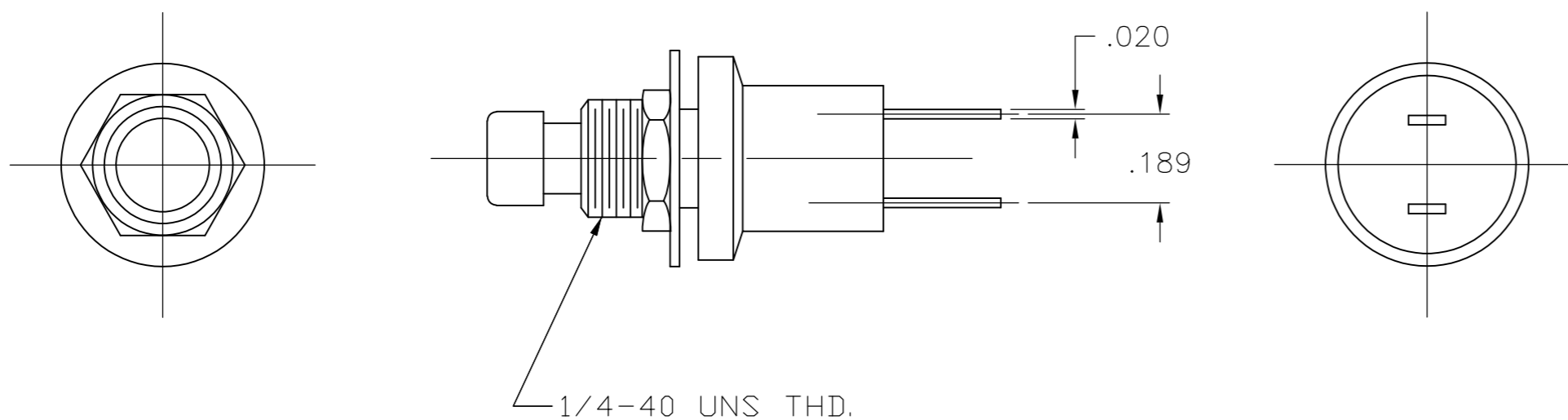
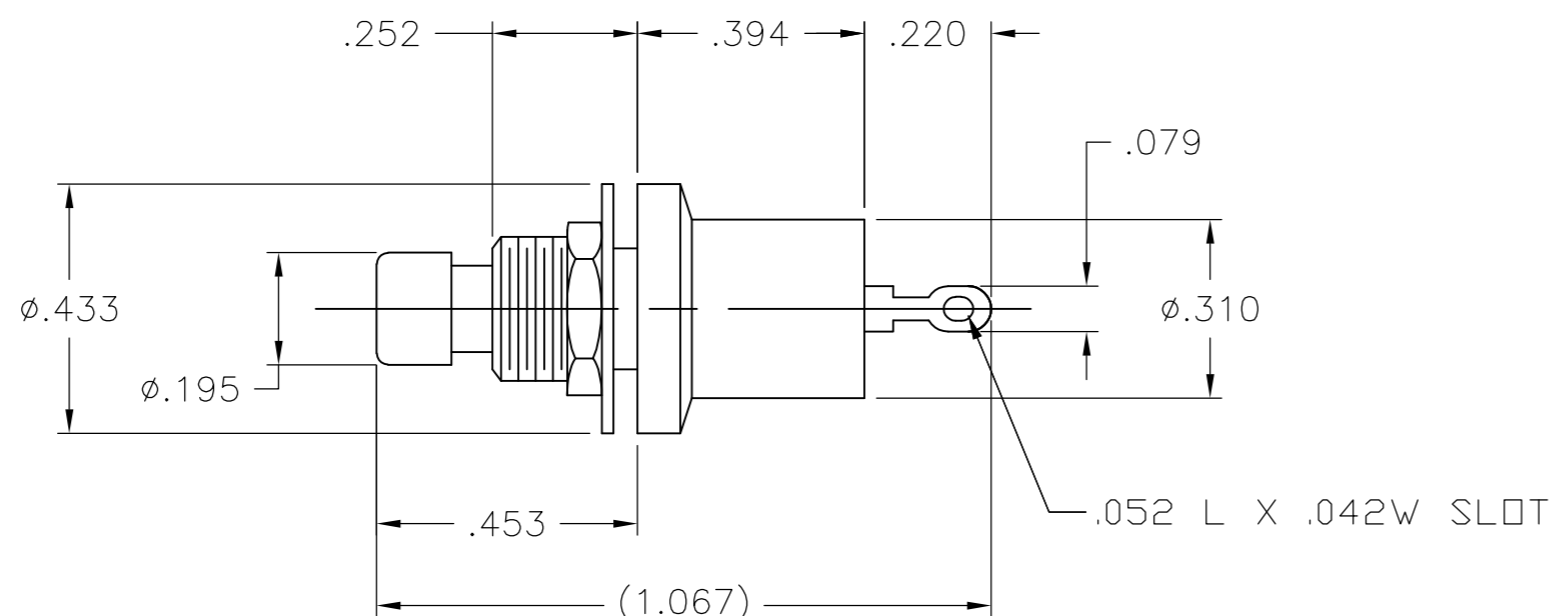
CONTACT RATING: 0.5 AMPS AT 125 VAC (BUTT CONTACT).  
 INITIAL CONTACT RESISTANCE: 100 MILLIOHMS.  
 INSULATION RESISTANCE: 1,000 MEGOHMS MIN.  
 DIELECTRIC STRENGTH: 1000V RMS AT SEA LEVEL.  
 LIFE EXPECTANCY: 10,000 CYCLES.

ENVIRONMENTAL:

OPERATING TEMPERATURE: -4°F TO +176°F(-20°C TO +80°C).  
 STORAGE TEMPERATURE: -4°F TO +176°F(-20°C TO +80°C).

NOTES:

1. INTERPRET DRAWING PER ASME Y14.5M-1994.
2. SUPPLIED WITH MOUNTING HARDWARE:  
(1) LOCKWASHER (1) HEX NUT
3. PACKAGING: BLISTER PACK-25 SWITCHES IN EACH BLISTER WITH HARDWARE PACKED SEPARATELY.
4. RECOMMENDED HAND SOLDER TEMP. 420C FOR 5 SECONDS.



SPST	N.O.	BLACK	BLACK	MSPS103C0	1437568-7
SPST	N.C.	BROWN	BLACK	MSPS103B	1437568-5
SPST	N.O.	BLACK	RED	MSPS103C2	1437568-6
TYPE	MOMENTARY ACTION	CASE COLOR	ACTUATOR BUTTON COLOR	MODEL NO.	PART NO.

THIS DRAWING IS A CONTROLLED DOCUMENT.		DWN	S SCHLEGEL	16JAN2008	 TE Connectivity			
DIMENSIONS: INCHES		CHK	M WILBOURN	1/16/08				
TOLERANCES UNLESS OTHERWISE SPECIFIED:		APVD	M WILBOURN	1/16/08				
0 PLC ± - 1 PLC ± - 2 PLC ± - 3 PLC ± .010 4 PLC ± - ANGLES ± 1°		NAME		SWITCH PUSH BUTTON (MSPS103XX)				
MATERIAL		FINISH		WEIGHT	SIZE	CAGE CODE	DRAWING NO	RESTRICTED TO
-		-		-	A2	00779	C=1437568-5	-
CUSTOMER DRAWING				SCALE	NTS	SHEET	1 of 1	REV
								B1