

4

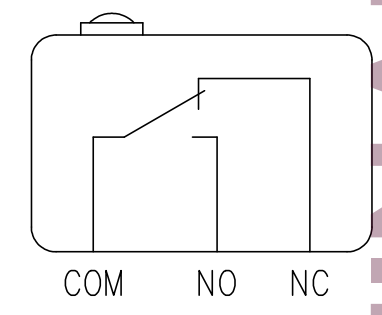
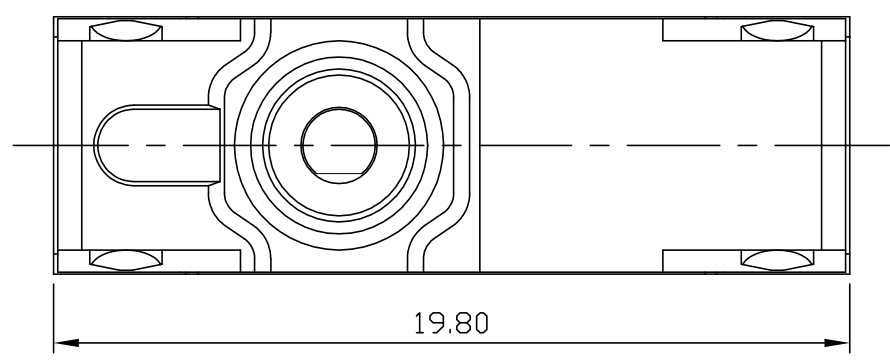
3

2

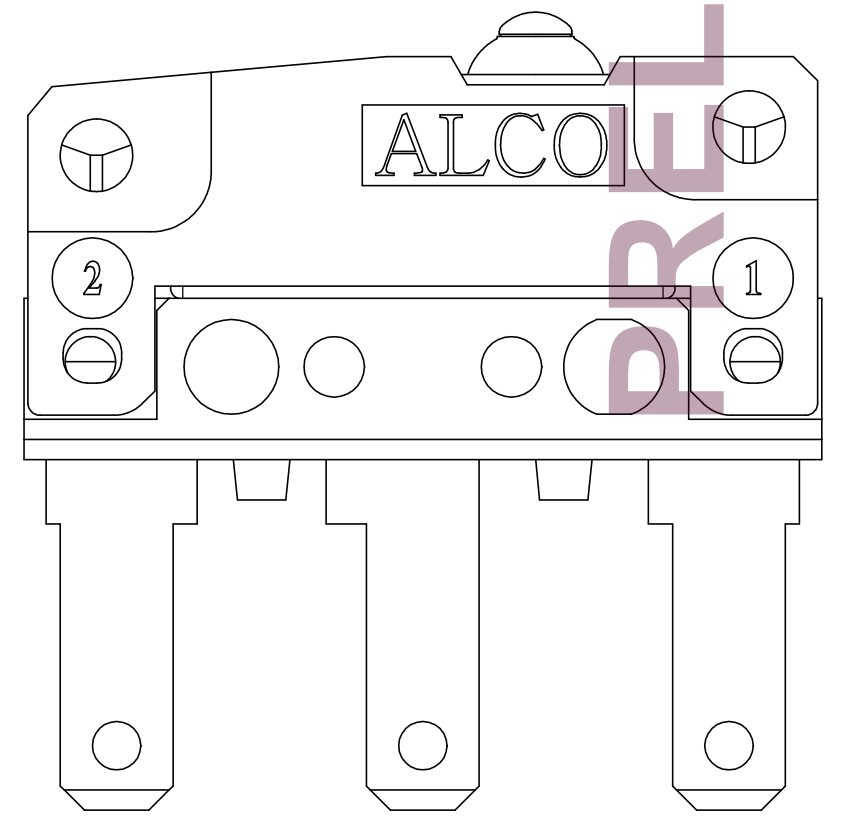
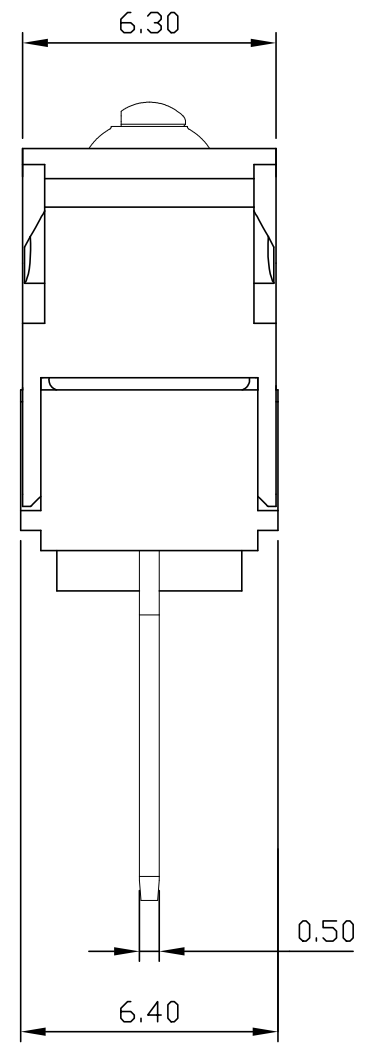
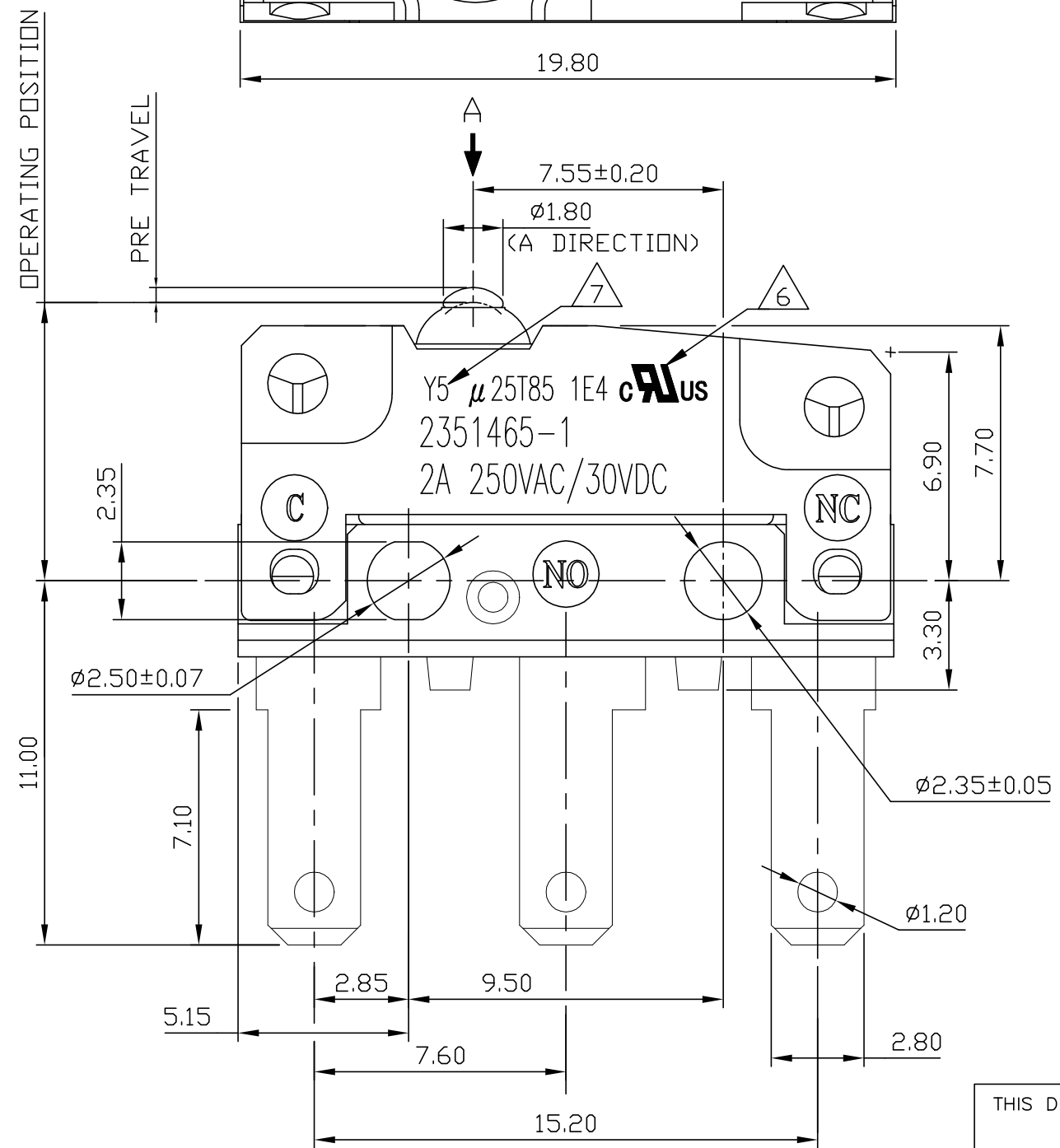
1

THIS DRAWING IS UNPUBLISHED. RELEASED FOR PUBLICATION  
 © COPYRIGHT - TE Connectivity Ltd. ALL RIGHTS RESERVED.

REVISIONS				
P	LTR	DESCRIPTION	DATE	APVD
1		NEW DRAWING	14MAY2019	GCM AS



Contact Form



**PRELIMINARY**

THIS DRAWING IS A CONTROLLED DOCUMENT.		DWN	GANESH C M		13MAY2019
DIMENSIONS: mm		CHK	ALEXANDER SHARPE		13MAY2019
TOLERANCES UNLESS OTHERWISE SPECIFIED:		APVD	ALEXANDER SHARPE		13MAY2019
0 PLC ± -		NAME			
1 PLC ± 0.4		SWITCH, SUBMINIATURE SLD SNAP ACTION, PIN PLUNGER, QUICK-CONNECT TERMINALS			
2 PLC ± 0.4		SIZE			
3 PLC ± -		CAGE CODE			
4 PLC ± -		DRAWING NO			
ANGLES ± -		RESTRICTED TO			
FINISH		A3 00779 C=2351465			
MATERIAL		CUSTOMER DRAWING			
		SCALE		SHEET	REV
		NTS		1 of 2	1

THIS DRAWING IS UNPUBLISHED. RELEASED FOR PUBLICATION  
 © COPYRIGHT - TE Connectivity Ltd. ALL RIGHTS RESERVED.

REVISIONS				
P	LTR	DESCRIPTION	DATE	APVD
	-	SEE SHEET 1	-	-

NOTES:

- OPERATING CHARACTERISTICS ARE FOR OPERATION IN THE A DIRECTION ↓
- PACKAGING:  
SWITCHES ARE BULK PACKAGED IN BAGS, 100 SWITCHES PER BAG, 10 BAGS PER BOX.
- COMPLIANCE:  
THE CURRENT STATEMENT OF COMPLIANCE IS AVAILABLE AT TE.COM.
- MATERIAL AND FINISH:  
COVER: THERMOPLASTIC, BLACK  
BASE: THERMOPLASTIC, BLACK  
BUTTON: THERMOPLASTIC, BLACK  
CONTACTS: SILVER ALLOY, SILVER PLATED  
TERMINAL: BRASS, SILVER PLATED  
SPRING PLATE: COPPER ALLOY  
SEALING CAP: RUBBER, BLACK  
SEALING GASKETS: RUBBER, BLACK
- SPECIFICATIONS:  
CURRENT RATING: SEE TABLE  
CONTACT RESISTANCE: 50mΩ MAXIMUM, INITIAL AT FREE POSITION AND TOTAL TRAVEL POSITION  
INSULATION RESISTANCE: 100MΩ MINIMUM, @ 500 V DC, 1 MINUTE, INITIAL.  
DIELECTRIC WITHSTANDING VOLTAGE, BETWEEN TERMINALS OF THE SAME POLARITY: 1000 V AC, 50 TO 60 Hz FOR 1 MINUTE  
DIELECTRIC WITHSTANDING VOLTAGE, BETWEEN EACH TERMINAL AND GROUND: 1500 V AC, 50 TO 60 Hz FOR 1 MINUTE  
DIELECTRIC WITHSTANDING VOLTAGE, BETWEEN EACH TERMINAL AND NON-CURRENT CARRYING METAL PART: 1500 V AC, 50 TO 60 Hz FOR 1 MINUTE  
INGRESS PROTECTION: IP67

△ CERTIFICATION: 

△ DATE CODE: ① ②

①	MONTH	1 TO 9,X,Y,Z (X=10, Y=11, Z=12)
②	YEAR	0 TO 9,(EX:7=2017)

SILVER	SPDT	1,000,000 CYCLES, MINIMUM	50,000 CYCLES, MINIMUM	-40 TO +85°C/85% RELATIVE HUMIDITY MAXIMUM	-25 TO +85°C/60% RELATIVE HUMIDITY MAXIMUM	0.15 MAXIMUM	0.4 MINIMUM	0.6 MAXIMUM	8.4±0.3	20 gf MINIMUM	183 gf MAXIMUM	2A, 30VDC 2A, 250VAC	MOMENTARY	QUICK-CONNECT, #110	SAJSX2XPP0180SDTFBQ	2351465-1
CONTACT FINISH	CONTACT FORM	MECHANICAL LIFE	ELECTRICAL LIFE	STORAGE TEMPERATURE RANGE/HUMIDITY RANGE	OPERATING TEMPERATURE RANGE/HUMIDITY RANGE	MOVEMENT DIFFERENTIAL	OVERTRAVEL	PRETRAVEL	OPERATING POSITION	RELEASE FORCE	OPERATING FORCE	CONTACT RATING,	CONTACT CONFIGURATION	TERMINAL TYPE	TE SMART PART NUMBER	PART NUMBER

THIS DRAWING IS A CONTROLLED DOCUMENT.

DWN GANESH C M 13MAY2019

CHK ALEXANDER SHARPE 13MAY2019

APVD ALEXANDER SHARPE 13MAY2019

PRODUCT SPEC

APPLICATION SPEC

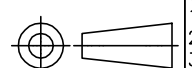
WEIGHT

CUSTOMER DRAWING

 TE Connectivity Ltd.

NAME SWITCH, SUBMINIATURE SLD SNAP ACTION, PIN PLUNGER, QUICK-CONNECT TERMINALS

SIZE	CAGE CODE	DRAWING NO	RESTRICTED TO
A3	00779	2351465	-

DIMENSIONS:	TOLERANCES UNLESS OTHERWISE SPECIFIED:
mm	
	0 PLC ± -
	1 PLC ± 0.4
	2 PLC ± 0.4
	3 PLC ± -
	4 PLC ± -
	ANGLES ± -
MATERIAL	FINISH
-	-

**PRELIMINARY**