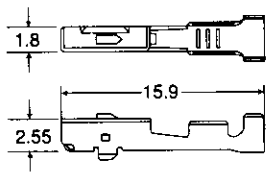
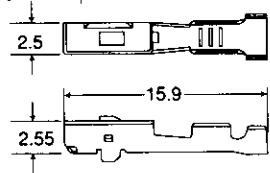


.040 II/.070II High Density Hybrid Connectors

Receptacle Contact

Contact	Wire Range	Wire Ins. Diameter	Material/Finish	Part No.		Hand Tool No. (Instruction Sheet)
				S.T.	L.P.	
.040 II Receptacle 	0.3~0.85mm ² (AWG#22-18)	∅1.1-1.8mm	Copper Alloy/Pre-tin	175265-1	179417-1	91588-1 (411-5655)
Crimp Specifications : 114-5153						
.070 II Receptacle 	S Size 0.3~0.85mm ² (AWG#22-18)	∅1.1-1.8mm	Brass/Pre-tin	175268-1	179423-1	934195-1 (411-5658)
	M Size 0.3~1.25mm ² (AWG#20-16)	∅1.8-2.5mm	Brass/Pre-tin	175269-1	179425-1	934196-1 (411-5659)
Crimp Specifications : 114-5160						

Plug

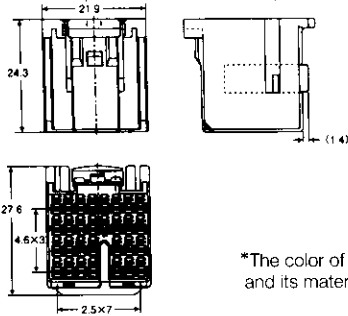
30 Pos.

Part number : 353217-4

■ Part numbers of mating cap housings

126Pos. : 353222-6

*Only .040 II receptacle contact are accepted.



*The color of housing is green, and its material is of PBT.

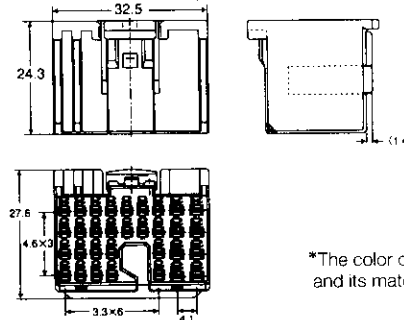
32 Pos.

Part number : 353212-5

■ Part numbers of mating cap housings

96Pos. : 353220-6 126Pos. : 353222-6

*.040 II and .070II receptacle contact are accepted.



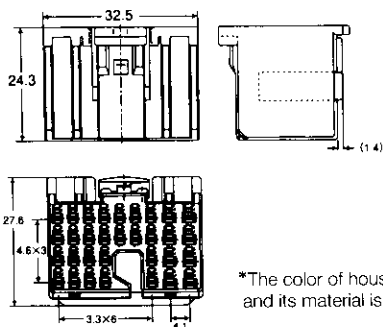
*The color of housing is blue, and its material is of PBT.

Part number : 353213-6

■ Part numbers of mating cap housings

96Pos. : 353220-6 126Pos. : 353222-6

*Only .040II receptacle contact are accepted.



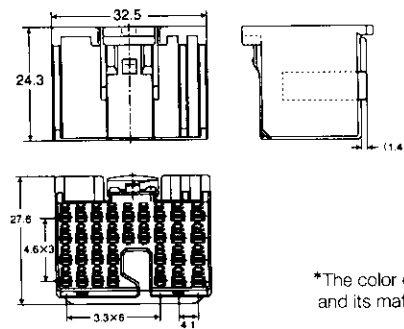
*The color of housing is gray, and its material is of PBT.

Part number : 353214-2

■ Part numbers of mating cap housings

96Pos. : 353220-6 126Pos. : 353222-6

*.040 II and .070 II receptacle contact are accepted.



*The color of housing is black, and its material is of PBT.