

SBAS021B – NOVEMBER 1992 – REVISED SEPTEMBER 2003

## Low-Power 12-Bit Sampling CMOS ANALOG-to-DIGITAL CONVERTER

### FEATURES

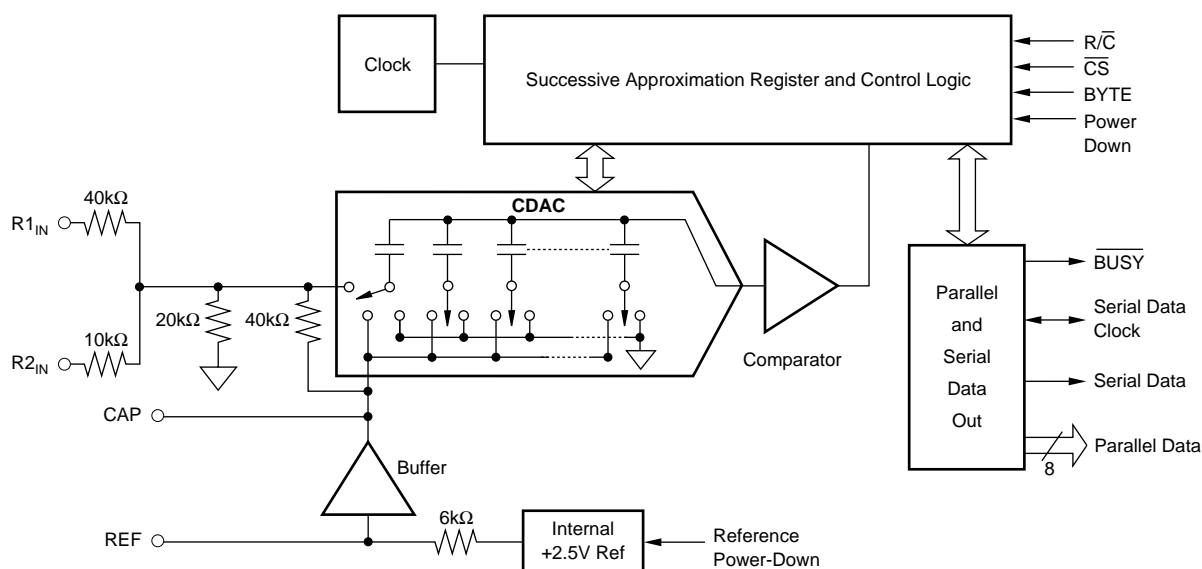
- POWER DISSIPATION: 35mW max
- POWER-DOWN MODE: 50 $\mu$ W
- ACQUISITION AND CONVERSION: 25 $\mu$ s max
- $\pm 1/2$  LSB MAX INL AND DNL
- 72dB MIN SINAD WITH 1kHz INPUT
- INPUT RANGES:  $\pm 10$ V, 0V to +5V, and 0V TO +4V
- SINGLE +5V SUPPLY OPERATION
- PARALLEL AND SERIAL DATA OUTPUT
- PIN-COMPATIBLE WITH THE 16-BIT ADS7807
- USES INTERNAL OR EXTERNAL REFERENCE
- 0.3" DIP-28 AND SO-28

### DESCRIPTION

The ADS7806 is a low-power, 12-bit, sampling Analog-to-Digital (A/D) converter using state of the art CMOS structures. It contains a complete 12-bit, capacitor-based, Successive Approximation Register (SAR) A/D converter with sample-and-hold, clock, reference, and a microprocessor interface with parallel and serial output drivers.

The ADS7806 can acquire and convert to full 12-bit accuracy in 25 $\mu$ s max, while consuming only 35mW max. Laser trimmed scaling resistors provide standard industrial input ranges of  $\pm 10$ V and 0V to +5V. In addition, a 0V to +4V range allows development of complete single-supply systems.

The ADS7806 is available in a 0.3" DIP-28 and SO-28, both fully specified for operation over the industrial  $-40^{\circ}$ C to  $+85^{\circ}$ C temperature range.



Please be aware that an important notice concerning availability, standard warranty, and use in critical applications of Texas Instruments semiconductor products and disclaimers thereto appears at the end of this data sheet.

All trademarks are the property of their respective owners.

PRODUCTION DATA information is current as of publication date. Products conform to specifications per the terms of Texas Instruments standard warranty. Production processing does not necessarily include testing of all parameters.

## ABSOLUTE MAXIMUM RATINGS<sup>(1)</sup>

Analog Inputs: R1 <sub>IN</sub> .....	±12V
R2 <sub>IN</sub> .....	±5.5V
CAP .....	V <sub>ANA</sub> + 0.3V to AGND2 – 0.3V
REF .....	Indefinite Short to AGND2, Momentary Short to V <sub>ANA</sub>
Ground Voltage Differences: DGND, AGND1, and AGND2 .....	±0.3V
V <sub>ANA</sub> .....	7V
V <sub>DIG</sub> to V <sub>ANA</sub> .....	+0.3V
V <sub>DIG</sub> .....	7V
Digital Inputs .....	–0.3V to V <sub>DIG</sub> + 0.3V
Maximum Junction Temperature .....	+165°C
Internal Power Dissipation .....	825mW
Lead Temperature (soldering, 10s) .....	+300°C

NOTE: (1) Stresses above those listed under "Absolute Maximum Ratings" may cause permanent damage to the device. Exposure to absolute maximum conditions for extended periods may affect device reliability.



## ELECTROSTATIC DISCHARGE SENSITIVITY

This integrated circuit can be damaged by ESD. Texas Instruments recommends that all integrated circuits be handled with appropriate precautions. Failure to observe proper handling and installation procedures can cause damage.

ESD damage can range from subtle performance degradation to complete device failure. Precision integrated circuits may be more susceptible to damage because very small parametric changes could cause the device not to meet its published specifications.

## PACKAGE/ORDERING INFORMATION

PRODUCT	MAXIMUM INTEGRAL LINEARITY ERROR (LSB)	MINIMUM SIGNAL-TO-NOISE (NOISE + DISTORTION) RATIO (DB)	PACKAGE-LEAD	PACKAGE DESIGNATOR <sup>(1)</sup>	SPECIFIED TEMPERATURE RANGE	PACKAGE MARKING	ORDERING NUMBER	TRANSPORT MEDIA, QUANTITY
ADS7806P	±0.9	70	DIP-28	NT	–40°C to +85°C	ADS7806P	ADS7806P	Tubes, 13
ADS7806PB	±0.45	72	"	"	"	ADS7806PB	ADS7806PB	Tubes, 13
ADS7806U	±0.9	70	SO-28	DW	–40°C to +85°C	ADS7806U	ADS7806U	Tubes, 28
"	"	"	"	"	"	ADS7806U	ADS7806U/1K	Tape and Reel, 1000
ADS7806UB	±0.45	72	"	"	"	ADS7806UB	ADS7806UB	Tubes, 28
"	"	"	"	"	"	ADS7806UB	ADS7806UB/1K	Tape and Reel, 1000

NOTE: (1) For the most current specifications and package information, refer to our web site at [www.ti.com](http://www.ti.com).

## ELECTRICAL CHARACTERISTICS

At T<sub>A</sub> = –40°C to +85°C, f<sub>S</sub> = 40kHz, V<sub>DIG</sub> = V<sub>ANA</sub> = +5V, and using internal reference and fixed resistors (see Figure 7b), unless otherwise specified.

PARAMETER	CONDITIONS	ADS7806P, U			ADS7806PB, UB			UNITS
		MIN	TYP	MAX	MIN	TYP	MAX	
<b>RESOLUTION</b>				12			*	Bits
<b>ANALOG INPUT</b> Voltage Ranges Impedance Capacitance						±10, 0 to +5, 0 to +4 (See Table I)		V
			35			*		pF
<b>THROUGHPUT SPEED</b> Conversion Time Complete Cycle Throughput Rate	Acquire and Convert			20 25			* *	μs μs kHz
		40			*			
<b>DC ACCURACY</b> Integral Linearity Error Differential Linearity Error No Missing Codes Transition Noise <sup>(2)</sup> Gain Error Full-Scale Error <sup>(3,4)</sup> Full-Scale Error Drift Full-Scale Error <sup>(3,4)</sup> Full-Scale Error Drift Bipolar Zero Error <sup>(3)</sup> Bipolar Zero Error Drift Unipolar Zero Error <sup>(3)</sup> Unipolar Zero Error Drift Recovery Time to Rated Accuracy from Power-Down <sup>(5)</sup> Power-Supply Sensitivity (V <sub>DIG</sub> = V <sub>ANA</sub> = V <sub>S</sub> )	Ext. 2.5000V Ref Ext. 2.5000V Ref ±10V Range ±10V Range 0V to 5V, 0V to 4V Ranges 0V to 5V, 0V to 4V Ranges 2.2μF Capacitor to CAP +4.75V < V <sub>S</sub> < +5.25V		±0.15 ±0.15 Tested 0.1 ±0.2 ±7 ±0.5 ±0.5 ±0.5 ±0.5 ±0.5 1	±0.9 ±0.9 ±0.5 ±10 ±3 ±0.5		* * * ±0.1 ±5 * * * *	±0.45 ±0.45 * * ±0.25 ±0.25 * * * *	LSB <sup>(1)</sup> LSB Bits LSB % % ppm/°C % ppm/°C mV ppm/°C mV ppm/°C ms LSB

# ELECTRICAL CHARACTERISTICS (Cont.)

At  $T_A = -40^\circ\text{C}$  to  $+85^\circ\text{C}$ ,  $f_S = 40\text{kHz}$ ,  $V_{\text{DIG}} = V_{\text{ANA}} = +5\text{V}$ , and using internal reference and fixed resistors (see Figure 7b), unless otherwise specified.

PARAMETER	CONDITIONS	ADS7806P, U			ADS7806PB, UB			UNITS
		MIN	TYP	MAX	MIN	TYP	MAX	
<b>AC ACCURACY</b>								
Spurious-Free Dynamic Range	$f_{\text{IN}} = 1\text{kHz}, \pm 10\text{V}$	80	90		*	*	*	dB <sup>(6)</sup>
Total Harmonic Distortion	$f_{\text{IN}} = 1\text{kHz}, \pm 10\text{V}$		-90	-80		*	*	dB
Signal-to-(Noise + Distortion)	$f_{\text{IN}} = 1\text{kHz}, \pm 10\text{V}$	70	73		72	*	*	dB
Signal-to-Noise	$f_{\text{IN}} = 1\text{kHz}, \pm 10\text{V}$	70	73		72	*	*	dB
Usable Bandwidth <sup>(7)</sup>			130			*	*	kHz
Full-Power Bandwidth (-3dB)			600			*	*	kHz
<b>SAMPLING DYNAMICS</b>								
Aperture Delay			40			*	*	ns
Aperture Jitter			20			*	*	ps
Transient Response	FS Step			5		*	*	$\mu\text{s}$
Over-Voltage Recovery <sup>(8)</sup>			750			*	*	ns
<b>REFERENCE</b>								
Internal Reference Voltage	No Load	2.48	2.5	2.52	*	*	*	V
Internal Reference Source Current (Must use external buffer.)			1			*	*	$\mu\text{A}$
Internal Reference Drift			8			*	*	ppm/ $^\circ\text{C}$
External Reference Voltage Range for Specified Linearity		2.3	2.5	2.7	*	*	*	V
External Reference Current Drain	External 2.5000V Ref			100			*	$\mu\text{A}$
<b>DIGITAL INPUTS</b>								
Logic Levels					Parallel 12-bits in 2-bytes; Serial Binary Two's Complement or Straight Binary			
$V_{\text{IL}}$		-0.3		+0.8	*		*	V
$V_{\text{IH}}^{(9)}$		+2.0		$V_{\text{D}} + 0.3\text{V}$	*		*	V
$I_{\text{IL}}$	$V_{\text{IL}} = 0\text{V}$			$\pm 10$			*	$\mu\text{A}$
$I_{\text{IH}}$	$V_{\text{IH}} = 5\text{V}$			$\pm 10$			*	$\mu\text{A}$
<b>DIGITAL OUTPUTS</b>								
Data Format								
Data Coding								
$V_{\text{OL}}$	$I_{\text{SINK}} = 1.6\text{mA}$			+0.4			*	V
$V_{\text{OH}}$	$I_{\text{SOURCE}} = 500\mu\text{A}$	+4			*		*	V
Leakage Current	High-Z State, $V_{\text{OUT}} = 0\text{V}$ to $V_{\text{DIG}}$			$\pm 5$			*	$\mu\text{A}$
Output Capacitance	High-Z State			15			*	pF
<b>DIGITAL TIMING</b>								
Bus Access Time	$R_L = 3.3\text{k}\Omega, C_L = 50\text{pF}$			83			*	ns
Bus Relinquish Time	$R_L = 3.3\text{k}\Omega, C_L = 10\text{pF}$			83			*	ns
<b>POWER SUPPLIES</b>								
Specified Performance								
$V_{\text{DIG}}$	Must be $\leq V_{\text{ANA}}$	+4.75	+5	+5.25	*	*	*	V
$V_{\text{ANA}}$		+4.75	+5	+5.25	*	*	*	V
$I_{\text{DIG}}$			0.6			*	*	mA
$I_{\text{ANA}}$			5.0			*	*	mA
Power Dissipation	$V_{\text{ANA}} = V_{\text{DIG}} = 5\text{V}, f_S = 40\text{kHz}$		28	35		*	*	mW
	REFD HIGH		23			*	*	mW
	PWRD and REFD HIGH		50			*	*	$\mu\text{W}$
<b>TEMPERATURE RANGE</b>								
Specified Performance		-40		+85	*		*	$^\circ\text{C}$
Derated Performance		-55		+125	*		*	$^\circ\text{C}$
Storage		-65		+150	*		*	$^\circ\text{C}$
Thermal Resistance ( $\theta_{\text{JA}}$ )								
DIP			75			*	*	$^\circ\text{C/W}$
SO			75			*	*	$^\circ\text{C/W}$

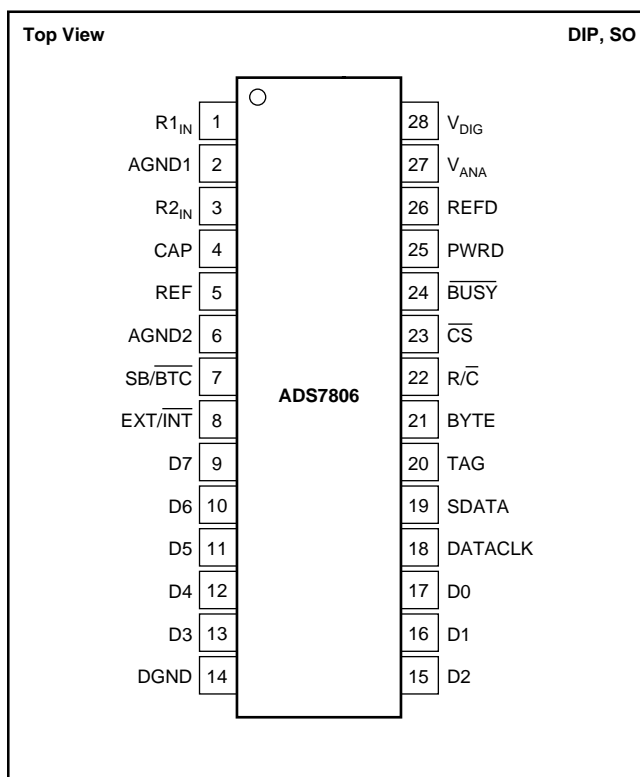
\* Specifications same as ADS7806 P, U.

NOTES: (1) LSB means Least Significant Bit. One LSB for the  $\pm 10\text{V}$  input range is 4.88mV. (2) Typical rms noise at worst-case transition. (3) As measured with fixed resistors, see Figure 7b. Adjustable to zero with external potentiometer. (4) Full-scale error is the worst case of -Full-Scale or +Full-Scale untrimmed deviation from ideal first and last code transitions, divided by the transition voltage (not divided by the full-scale range) and includes the effect of offset error. (5) This is the time delay after the ADS7806 is brought out of Power-Down mode until all internal settling occurs and the analog input is acquired to rated accuracy. A Convert command after this delay will yield accurate results. (6) All specifications in dB are referred to a full-scale input. (7) Usable bandwidth defined as full-scale input frequency at which Signal-to-(Noise + Distortion) degrades to 60dB. (8) Recovers to specified performance after 2 • FS input overvoltage. (9) The minimum  $V_{\text{IH}}$  level for the DATACLK signal is 3V.

## PIN DESCRIPTIONS

PIN #	NAME	DIGITAL I/O	DESCRIPTION
1	R1 <sub>IN</sub>		Analog Input. See Figure 7.
2	AGND1		Analog Sense Ground
3	R2 <sub>IN</sub>		Analog Input. See Figure 7.
4	CAP		Reference Buffer Output. 2.2μF tantalum capacitor to ground.
5	REF		Reference Input/Output. 2.2μF tantalum capacitor to ground.
6	AGND2		Analog Ground
7	SB/BTC	I	Selects Straight Binary or Binary Two's Complement for Output Data Format.
8	EXT/INT	I	External/Internal data clock select.
9	D7	O	Data Bit 3 if BYTE is HIGH. Data bit 11 (MSB) if BYTE is LOW. Hi-Z when $\overline{CS}$ is HIGH and/or $R/\overline{C}$ is LOW. Leave unconnected when using serial output.
10	D6	O	Data Bit 2 if BYTE is HIGH. Data bit 10 if BYTE is LOW. Hi-Z when $\overline{CS}$ is HIGH and/or $R/\overline{C}$ is LOW.
11	D5	O	Data Bit 1 if BYTE is HIGH. Data bit 9 if BYTE is LOW. Hi-Z when $\overline{CS}$ is HIGH and/or $R/\overline{C}$ is LOW.
12	D4	O	Data Bit 0 (LSB) if BYTE is HIGH. Data bit 8 if BYTE is LOW. Hi-Z when $\overline{CS}$ is HIGH and/or $R/\overline{C}$ is LOW.
13	D3	O	LOW if BYTE is HIGH. Data bit 7 if BYTE is LOW. Hi-Z when $\overline{CS}$ is HIGH and/or $R/\overline{C}$ is LOW.
14	DGND		Digital Ground
15	D2	O	LOW if BYTE is HIGH. Data bit 6 if BYTE is LOW. Hi-Z when $\overline{CS}$ is HIGH and/or $R/\overline{C}$ is LOW.
16	D1	O	LOW if BYTE is HIGH. Data bit 5 if BYTE is LOW. Hi-Z when $\overline{CS}$ is HIGH and/or $R/\overline{C}$ is LOW.
17	D0	O	LOW if BYTE is HIGH. Data bit 4 if BYTE is LOW. Hi-Z when $\overline{CS}$ is HIGH and/or $R/\overline{C}$ is LOW.
18	DATACLK	I/O	Data Clock Output when EXT/INT is LOW. Data clock input when EXT/INT is HIGH.
19	SDATA	O	Serial Output Synchronized to DATACLK
20	TAG	I	Serial Input When Using an External Data Clock
21	BYTE	I	Selects 8 most significant bits (LOW) or 4 least significant bits (HIGH) on parallel output pins.
22	R/ $\overline{C}$	I	With $\overline{CS}$ LOW and $\overline{BUSY}$ HIGH, a Falling Edge on $R/\overline{C}$ Initiates a New Conversion. With $\overline{CS}$ LOW, a rising edge on $R/\overline{C}$ enables the parallel output.
23	$\overline{CS}$	I	Internally OR'ed with $R/\overline{C}$ . If $R/\overline{C}$ is LOW, a falling edge on $\overline{CS}$ initiates a new conversion. If EXT/INT is LOW, this same falling edge will start the transmission of serial data results from the previous conversion.
24	$\overline{BUSY}$	O	At the start of a conversion, $\overline{BUSY}$ goes LOW and stays LOW until the conversion is completed and the digital outputs have been updated.
25	PWRD	I	PWRD HIGH shuts down all analog circuitry except the reference. Digital circuitry remains active.
26	REFD	I	REFD HIGH shuts down the internal reference. External reference will be required for conversions.
27	V <sub>ANA</sub>		Analog Supply. Nominally +5V. Decouple with 0.1μF ceramic and 10μF tantalum capacitors.
28	V <sub>DIG</sub>		Digital Supply. Nominally +5V. Connect directly to pin 27. Must be ≤ V <sub>ANA</sub> .

## PIN CONFIGURATION

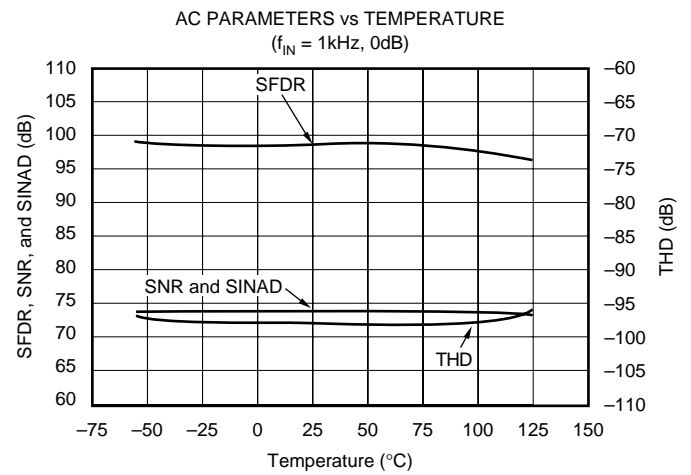
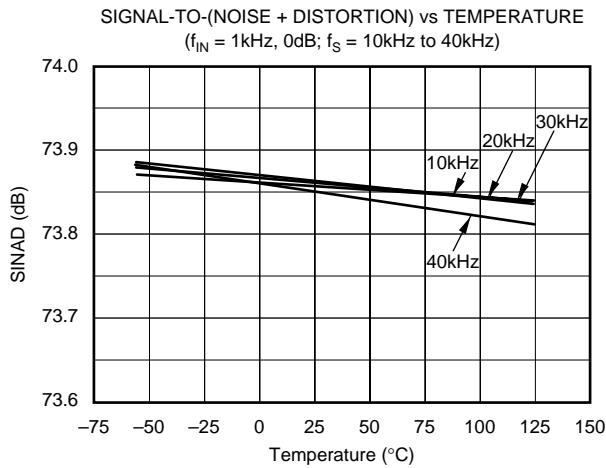
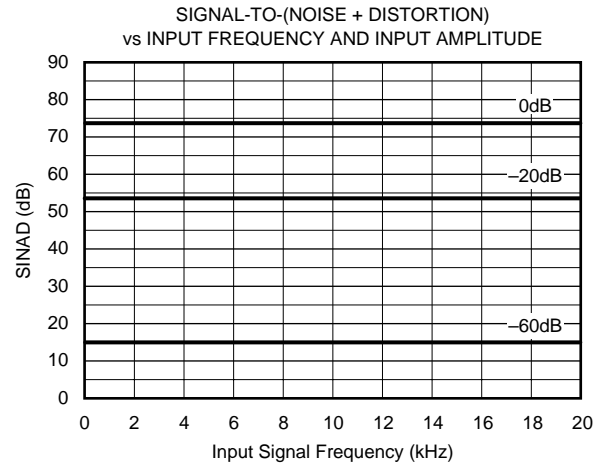
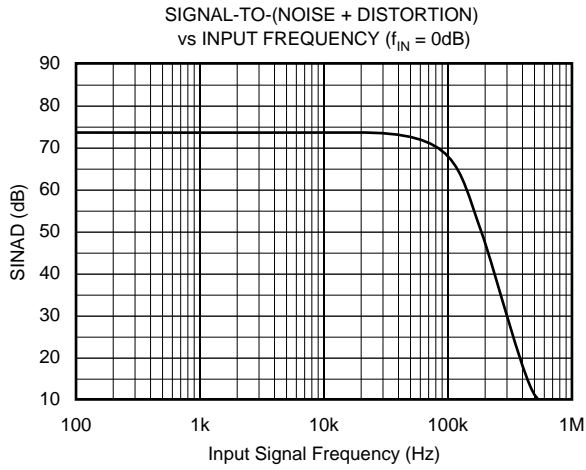
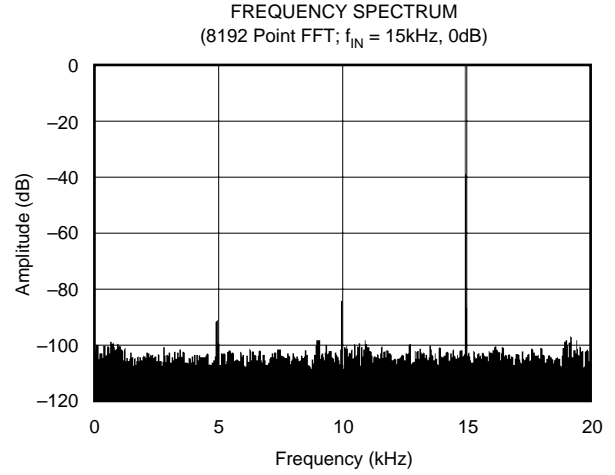
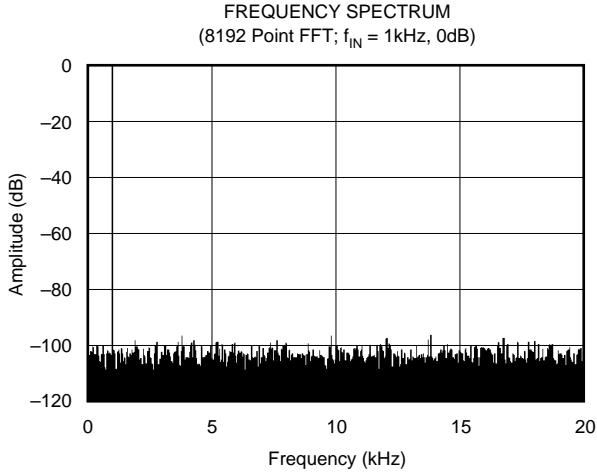


ANALOG INPUT RANGE	CONNECT R1 <sub>IN</sub> VIA 200Ω TO	CONNECT R2 <sub>IN</sub> VIA 100Ω TO	IMPEDANCE
±10V	V <sub>IN</sub>	CAP	45.7kΩ
0V to 5V	AGND	V <sub>IN</sub>	20.0kΩ
0V to 4V	V <sub>IN</sub>	V <sub>IN</sub>	21.4kΩ

TABLE I. Input Range Connections. See Figure 7.

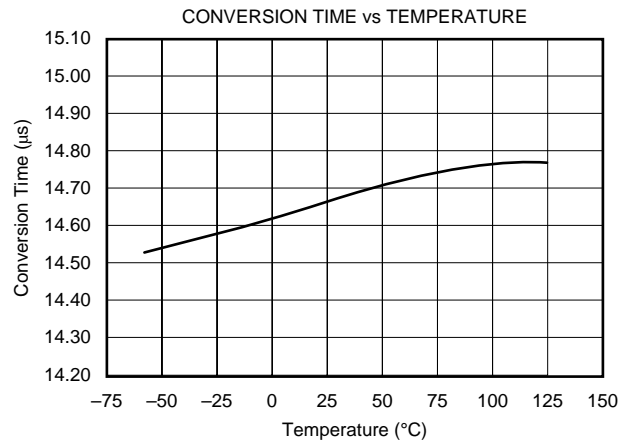
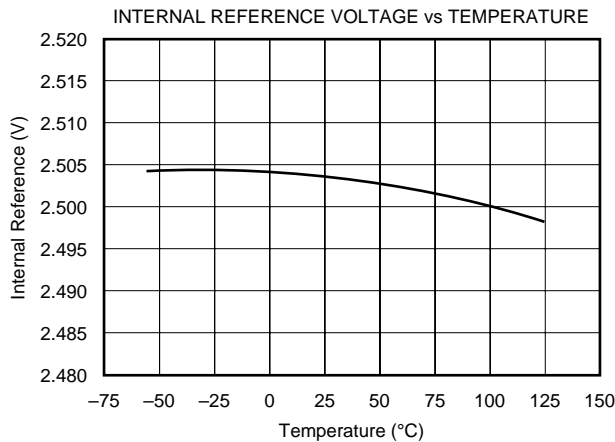
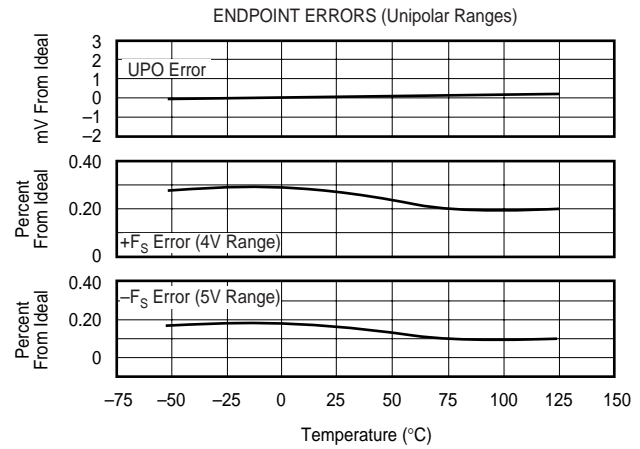
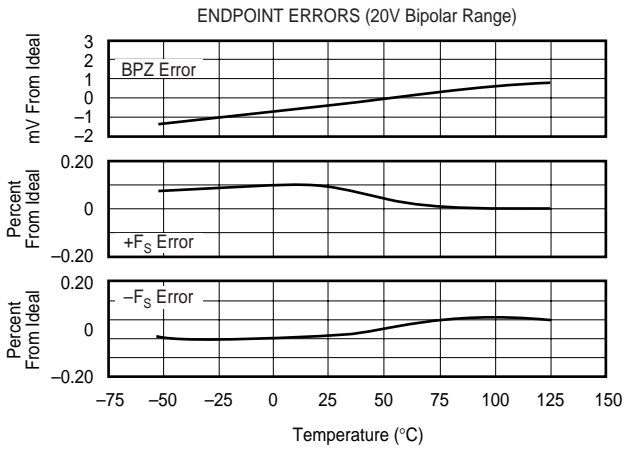
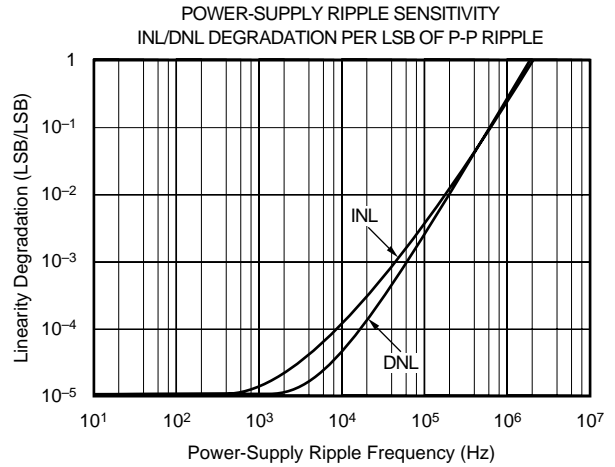
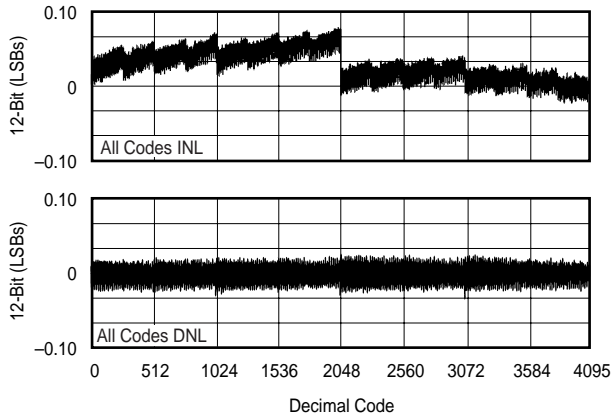
# TYPICAL CHARACTERISTICS

$T_A = +25^\circ\text{C}$ ,  $f_S = 40\text{kHz}$ ,  $V_{\text{DIG}} = V_{\text{ANA}} = +5\text{V}$ , and using internal reference and fixed resistors (see Figure 7b), unless otherwise specified.



# TYPICAL CHARACTERISTICS (Cont.)

$T_A = +25^\circ\text{C}$ ,  $f_S = 40\text{kHz}$ ,  $V_{\text{DIG}} = V_{\text{ANA}} = +5\text{V}$ , and using internal reference and fixed resistors (see Figure 7b), unless otherwise specified.



# BASIC OPERATION

## PARALLEL OUTPUT

Figure 1a shows a basic circuit to operate the ADS7806 with a  $\pm 10V$  input range and parallel output. Taking  $R/\bar{C}$  (pin 22) LOW for 40ns ( $12\mu s$  max) will initiate a conversion.  $\overline{BUSY}$  (pin 24) will go LOW and stay LOW until the conversion is completed and the output register is updated. If BYTE (pin 21) is LOW, the eight Most Significant Bits (MSBs) will be valid when  $\overline{BUSY}$  rises; if BYTE is HIGH, the four Least Significant Bits (LSBs) will be valid when  $\overline{BUSY}$  rises. Data will be output in Binary Two's Complement (BTC) format.  $\overline{BUSY}$  going HIGH can be used to latch the data. After the first byte has been read, BYTE can be toggled allowing the remaining byte to be read. All convert commands will be ignored while  $\overline{BUSY}$  is LOW.

The ADS7806 will begin tracking the input signal at the end of the conversion. Allowing  $25\mu s$  between convert commands assures accurate acquisition of a new signal.

The offset and gain are adjusted internally to allow external trimming with a single supply. The external resistors compensate for this adjustment and can be left out if the offset and gain will be corrected in software (refer to the Calibration section).

## SERIAL OUTPUT

Figure 1b shows a basic circuit to operate the ADS7806 with a  $\pm 10V$  input range and serial output. Taking  $R/\bar{C}$  (pin 22)

LOW for 40ns ( $12\mu s$  max) will initiate a conversion and output valid data from the previous conversion on SDATA (pin 19) synchronized to 12 clock pulses output on DATACLK (pin 18).  $\overline{BUSY}$  (pin 24) will go LOW and stay LOW until the conversion is completed and the serial data has been transmitted. Data will be output in BTC format, MSB first, and will be valid on both the rising and falling edges of the data clock.  $\overline{BUSY}$  going HIGH can be used to latch the data. All convert commands will be ignored while  $\overline{BUSY}$  is LOW.

The ADS7806 will begin tracking the input signal at the end of the conversion. Allowing  $25\mu s$  between convert commands assures accurate acquisition of a new signal.

The offset and gain are adjusted internally to allow external trimming with a single supply. The external resistors compensate for this adjustment and can be left out if the offset and gain will be corrected in software (refer to the Calibration section).

## STARTING A CONVERSION

The combination of  $\overline{CS}$  (pin 23) and  $R/\bar{C}$  (pin 22) LOW for a minimum of 40ns immediately puts the sample-and-hold of the ADS7806 in the hold state and starts conversion 'n'.  $\overline{BUSY}$  (pin 24) will go LOW and stay LOW until conversion 'n' is completed and the internal output register has been updated. All new convert commands during  $\overline{BUSY}$  LOW will be ignored.  $\overline{CS}$  and/or  $R/\bar{C}$  must go HIGH before  $\overline{BUSY}$  goes HIGH, or a new conversion will be initiated without sufficient time to acquire a new signal.

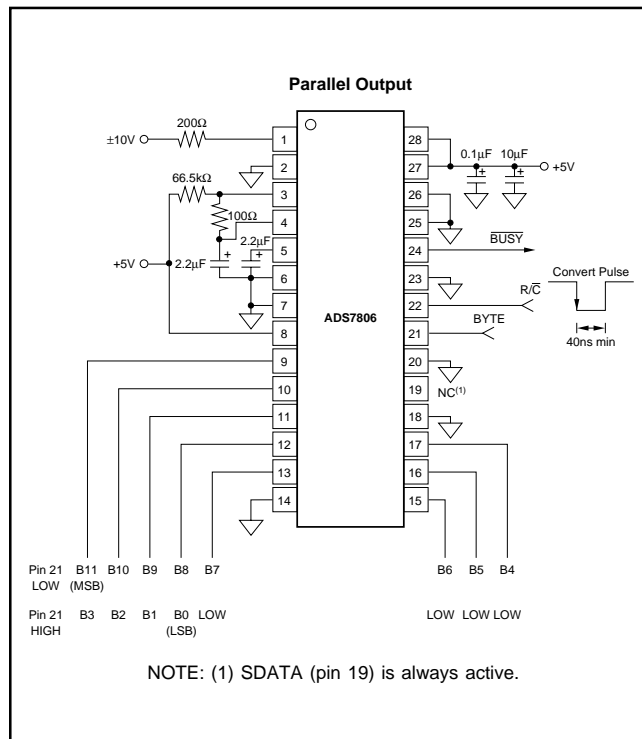


FIGURE 1a. Basic  $\pm 10V$  Operation, both Parallel and Serial Output.

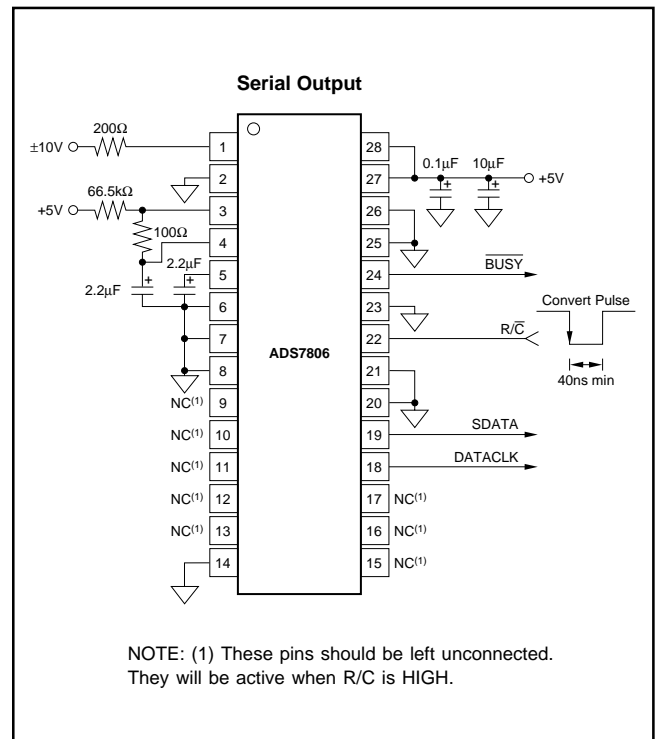


FIGURE 1b. Basic  $\pm 10V$  Operation with Serial Output.

The ADS7806 will begin tracking the input signal at the end of the conversion. Allowing 25 $\mu$ s between convert commands assures accurate acquisition of a new signal. Refer to Tables II and III for a summary of  $\overline{CS}$ ,  $R/\overline{C}$ , and  $BUSY$  states, and Figures 2 through 6 for timing diagrams.

$\overline{CS}$	$R/\overline{C}$	$BUSY$	OPERATION
1	X	X	None. Databus is in Hi-Z state.
↓	0	1	Initiates conversion 'n'. Databus remains in Hi-Z state.
0	↓	1	Initiates conversion 'n'. Databus enters Hi-Z state.
0	1	↑	Conversion 'n' completed. Valid data from conversion 'n' on the databus.
↓	1	1	Enables databus with valid data from conversion 'n'.
↓	1	0	Enables databus with valid data from conversion 'n - 1'^(1). Conversion 'n' in progress.
0	↑	0	Enables databus with valid data from conversion 'n - 1'^(1). Conversion 'n' in progress.
0	0	↑	New conversion initiated without acquisition of a new signal. Data will be invalid. $\overline{CS}$ and/or $R/\overline{C}$ must be HIGH when $BUSY$ goes HIGH.
X	X	0	New convert commands ignored. Conversion 'n' in progress.

NOTE: (1) See Figures 2 and 3 for constraints on data valid from conversion 'n - 1'.

TABLE II. Control Functions When Using Parallel Output (DATACLK tied LOW,  $EXT/\overline{INT}$  tied HIGH).

$\overline{CS}$	$R/\overline{C}$	$BUSY$	$EXT/\overline{INT}$	DATACLK	OPERATION
↓	0	1	0	Output	Initiates conversion 'n'. Valid data from conversion 'n - 1' clocked out on SDATA.
0	↓	1	0	Output	Initiates conversion 'n'. Valid data from conversion 'n - 1' clocked out on SDATA.
↓	0	1	1	Input	Initiates conversion 'n'. Internal clock still runs conversion process.
0	↓	1	1	Input	Initiates conversion "n". Internal clock still runs conversion process.
↓	1	1	1	Input	Conversion 'n' completed. Valid data from conversion 'n' clocked out on SDATA synchronized to external data clock.
↓	1	0	1	Input	Valid data from conversion 'n - 1' output on SDATA synchronized to external data clock. Conversion 'n' in progress.
0	↑	0	1	Input	Valid data from conversion 'n - 1' output on SDATA synchronized to external data clock. Conversion 'n' in progress.
0	0	↑	X	X	New conversion initiated without acquisition of a new signal. Data will be invalid. $\overline{CS}$ and/or $R/\overline{C}$ must be HIGH when $BUSY$ goes HIGH.
X	X	0	X	X	New convert commands ignored. Conversion "n" in progress.

NOTE: (1) See Figures 4, 5, and 6 for constraints on data valid from conversion 'n - 1'.

TABLE III. Control Functions When Using Serial Output.

DESCRIPTION	ANALOG INPUT			DIGITAL OUTPUT			
				BINARY TWO'S COMPLEMENT (SB/BTC LOW)		STRAIGHT BINARY (SB/BTC HIGH)	
Full-Scale Range Least Significant Bit (LSB)	±10 4.88mV	0V to 5V 1.22mV	0V to 4V 976 $\mu$ V		HEX CODE		HEX CODE
+Full-Scale (FS - 1LSB)	9.99512V	4.99878V	3.999024V	0111 1111 1111 1111	7FF	1111 1111 1111 1111	FFF
Midscale	0V	2.5V	2V	0000 0000 0000 0000	000	1000 0000 0000 0000	800
One LSB Below Midscale	-4.88mV	2.49878V	1.999024V	1111 1111 1111 1111	FFF	0111 1111 1111 1111	7FF
-Full-Scale	-10V	0V	0V	1000 0000 0000 0000	800	0000 0000 0000 0000	000

TABLE IV. Output Codes and Ideal Input Voltages.

$\overline{CS}$  and  $R/\overline{C}$  are internally OR'ed and level triggered. There is no requirement which input goes LOW first when initiating a conversion. If, however, it is critical that  $\overline{CS}$  or  $R/\overline{C}$  initiates conversion 'n', be sure the less critical input is LOW at least 10ns prior to the initiating input. If  $EXT/\overline{INT}$  (pin 8) is LOW when initiating conversion 'n', serial data from conversion 'n - 1' will be output on SDATA (pin 19) following the start of conversion 'n'. See Internal Data Clock in the Reading Data section.

To reduce the number of control pins,  $\overline{CS}$  can be tied LOW using  $R/\overline{C}$  to control the read and convert modes. This will have no effect when using the internal data clock in the serial output mode. The parallel output and the serial output (only when using an external data clock), however, will be affected whenever  $R/\overline{C}$  goes HIGH. Refer to the Reading Data section.

## READING DATA

The ADS7806 outputs serial or parallel data in Straight Binary (SB) or Binary Two's Complement data output format. If SB/BTC (pin 7) is HIGH, the output will be in SB format, and if LOW, the output will be in BTC format. Refer to Table IV for ideal output codes.

The parallel output can be read without affecting the internal output registers; however, reading the data through the serial port will shift the internal output registers one bit per data clock pulse. As a result, data can be read on the parallel port

prior to reading the same data on the serial port, but data cannot be read through the serial port prior to reading the same data on the parallel port.

## PARALLEL OUTPUT

To use the parallel output, tie  $\overline{\text{EXT/INT}}$  (pin 8) HIGH and  $\text{DATACLK}$  (pin 18) LOW.  $\text{SDATA}$  (pin 19) should be left unconnected. The parallel output will be active when  $\text{R}/\overline{\text{C}}$  (pin 22) is HIGH and  $\overline{\text{CS}}$  (pin 23) is LOW. Any other combination of  $\overline{\text{CS}}$  and  $\text{R}/\overline{\text{C}}$  will tri-state the parallel output. Valid conversion data can be read in two 8-bit bytes on D7-D0 (pins 9-13 and 15-17). When  $\text{BYTE}$  (pin 21) is LOW, the eight most significant bits will be valid with the MSB on D7. When  $\text{BYTE}$  is HIGH, the four least significant bits will be valid with the LSB on D4.  $\text{BYTE}$  can be toggled to read both bytes within one conversion cycle.

Upon initial power up, the parallel output will contain indeterminate data.

## PARALLEL OUTPUT (AFTER A CONVERSION)

After conversion 'n' is completed and the output registers have been updated,  $\overline{\text{BUSY}}$  (pin 24) will go HIGH. Valid data from conversion 'n' will be available on D7-D0 (pins 9-13 and 15-17).  $\overline{\text{BUSY}}$  going high can be used to latch the data. Refer to Table V and Figures 2 and 3 for timing constraints.

## PARALLEL OUTPUT (DURING A CONVERSION)

After conversion 'n' has been initiated, valid data from conversion 'n - 1' can be read and will be valid up to  $12\mu\text{s}$  after the start of conversion 'n'. Do not attempt to read data beyond  $12\mu\text{s}$  after the start of conversion 'n' until  $\overline{\text{BUSY}}$  (pin 24) goes HIGH; this may result in reading invalid data. Refer to Table V and Figures 2 and 3 for timing constraints.

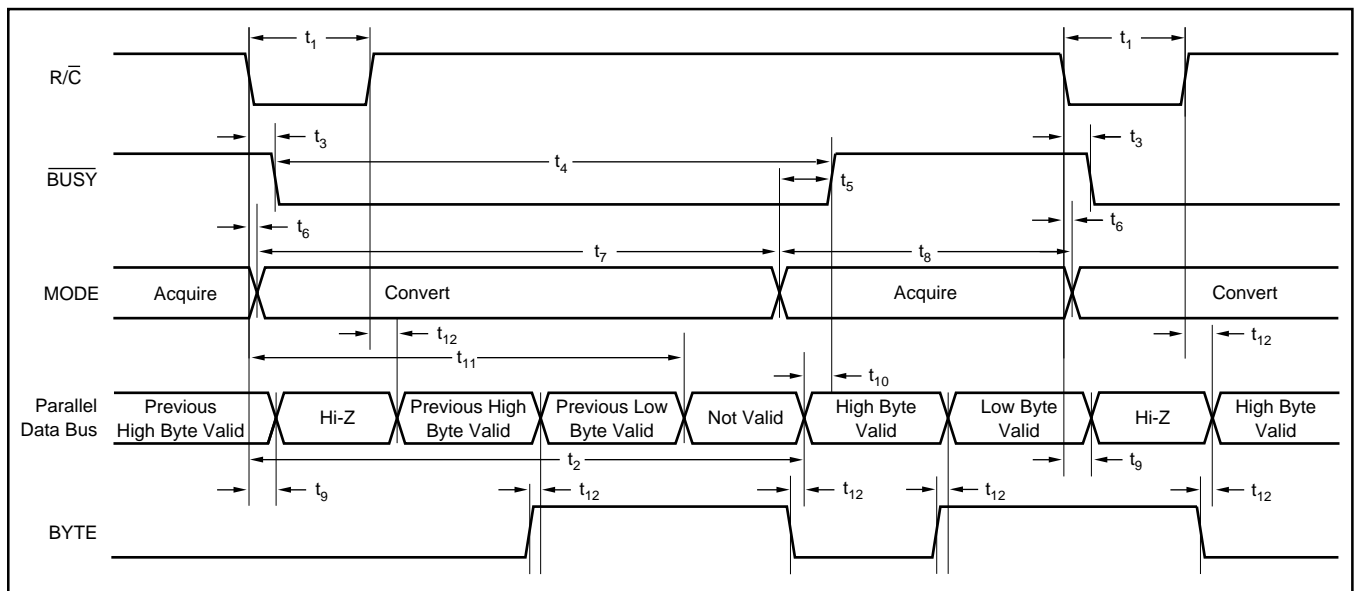


FIGURE 2. Conversion Timing with Parallel Output ( $\overline{\text{CS}}$  and  $\text{DATACLK}$  tied LOW,  $\overline{\text{EXT/INT}}$  tied HIGH).

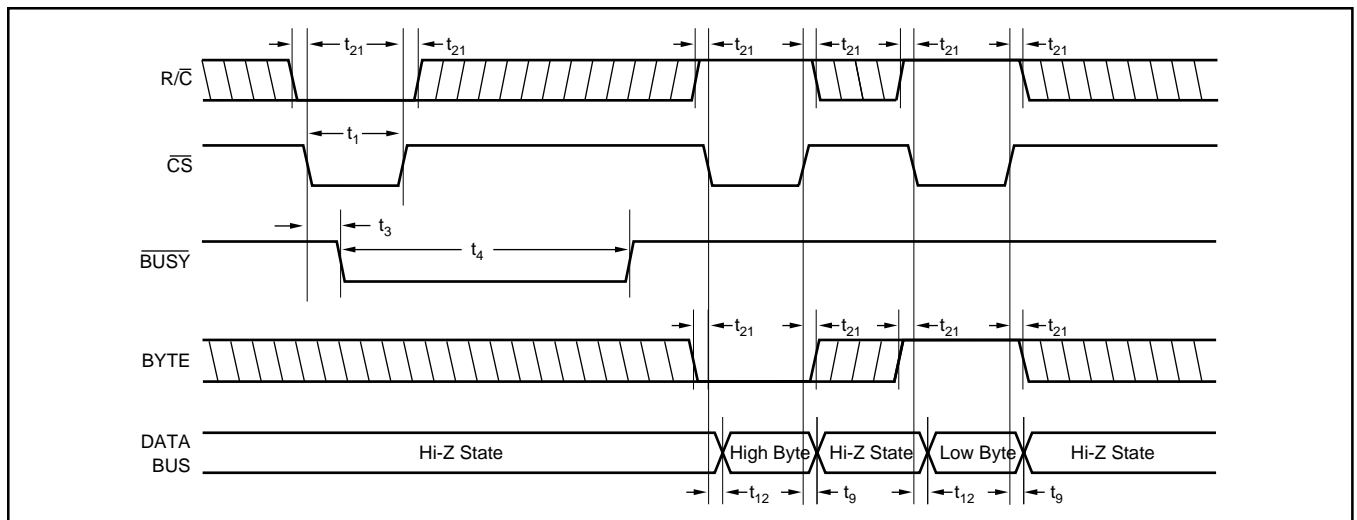


FIGURE 3. Using  $\overline{\text{CS}}$  to Control Conversion and Read Timing with Parallel Outputs.

SYMBOL	DESCRIPTION	MIN	TYP	MAX	UNITS
$t_1$	Convert Pulse Width	0.04		12	$\mu\text{s}$
$t_2$	Data Valid Delay after $R/\overline{C}$ LOW		14.7	20	$\mu\text{s}$
$t_3$	$\overline{\text{BUSY}}$ Delay from Start of Conversion			85	ns
$t_4$	$\overline{\text{BUSY}}$ LOW		14.7	20	$\mu\text{s}$
$t_5$	$\overline{\text{BUSY}}$ Delay after End of Conversion		90		ns
$t_6$	Aperture Delay		40		ns
$t_7$	Conversion Time		14.7	20	$\mu\text{s}$
$t_8$	Acquisition Time			5	$\mu\text{s}$
$t_9$	Bus Relinquish Time	10		83	ns
$t_{10}$	$\overline{\text{BUSY}}$ Delay after Data Valid	20	60		ns
$t_{11}$	Previous Data Valid after Start of Conversion	12	14.7		$\mu\text{s}$
$t_{12}$	Bus Access Time and $\overline{\text{BUSY}}$ Delay			83	ns
$t_{13}$	Start of Conversion to DATACLK Delay		1.4		$\mu\text{s}$
$t_{14}$	DATACLK Period		1.1		$\mu\text{s}$
$t_{15}$	Data Valid to DATACLK HIGH Delay	20	75		ns
$t_{16}$	Data Valid after DATACLK LOW Delay	400	600		ns
$t_{17}$	External DATACLK Period	100			ns
$t_{18}$	External DATACLK LOW	40			ns
$t_{19}$	External DATACLK HIGH	50			ns
$t_{20}$	$\overline{\text{CS}}$ and $R/\overline{C}$ to External DATACLK Setup Time	25			ns
$t_{21}$	$R/\overline{C}$ to $\overline{\text{CS}}$ Setup Time	10			ns
$t_{22}$	Valid Data after DATACLK HIGH	25			ns
$t_7 + t_8$	Throughput Time			25	$\mu\text{s}$

TABLE V. Conversion and Data Timing.  $T_A = -40^\circ\text{C}$  to  $+85^\circ\text{C}$ .

## SERIAL OUTPUT

Data can be clocked out with the internal data clock or an external data clock. When using serial output, be careful with the parallel outputs, D7-D0 (pins 9-13 and 15-17), as these pins will come out of Hi-Z state whenever  $\overline{\text{CS}}$  (pin 23) is LOW and  $R/\overline{C}$  (pin 22) is HIGH. The serial output can not be tri-stated and is always active.

## INTERNAL DATA CLOCK

### (During A Conversion)

To use the internal data clock, tie  $\text{EXT}/\overline{\text{INT}}$  (pin 8) LOW. The combination of  $R/\overline{C}$  (pin 22) and  $\overline{\text{CS}}$  (pin 23) LOW will initiate conversion 'n' and activate the internal data clock (typically a 900kHz clock rate). The ADS7806 will output 12 bits of valid data, MSB first, from conversion 'n - 1' on SDATA (pin 19), synchronized to 12 clock pulses output on DATACLK (pin 18). The data will be valid on both the rising and falling edges of the internal data clock. The rising edge of  $\overline{\text{BUSY}}$  (pin 24) can be used to latch the data. After the 12th clock pulse, DATACLK will remain LOW until the next conversion is initiated, while SDATA will go to whatever logic level was input on TAG (pin 20) during the first clock pulse. Refer to Table VI and Figure 4.

## EXTERNAL DATA CLOCK

To use an external data clock, tie  $\text{EXT}/\overline{\text{INT}}$  (pin 8) HIGH. The external data clock is not a conversion clock; it can only be used as a data clock. To enable the output mode of the ADS7806,  $\overline{\text{CS}}$  (pin 23) must be LOW and  $R/\overline{C}$  (pin 22) must be HIGH. DATACLK must be HIGH for 20% to 70% of the total data clock period; the clock rate can be between DC and 10MHz. Serial data from conversion 'n' can be output on SDATA (pin 19) after conversion 'n' is completed or during conversion 'n + 1'.

An obvious way to simplify control of the converter is to tie  $\overline{\text{CS}}$  LOW and use  $R/\overline{C}$  to initiate conversions. While this is perfectly acceptable, there is a possible problem when using an external data clock. At an indeterminate point from 12 $\mu\text{s}$  after the start of conversion 'n' until  $\overline{\text{BUSY}}$  rises, the internal logic will shift the results of conversion 'n' into the output register. If  $\overline{\text{CS}}$  is LOW,  $R/\overline{C}$  is HIGH, and the external clock is HIGH at this point, data will be lost. So, with  $\overline{\text{CS}}$  LOW, either  $R/\overline{C}$  and/or DATACLK must be LOW during this period to avoid losing valid data.

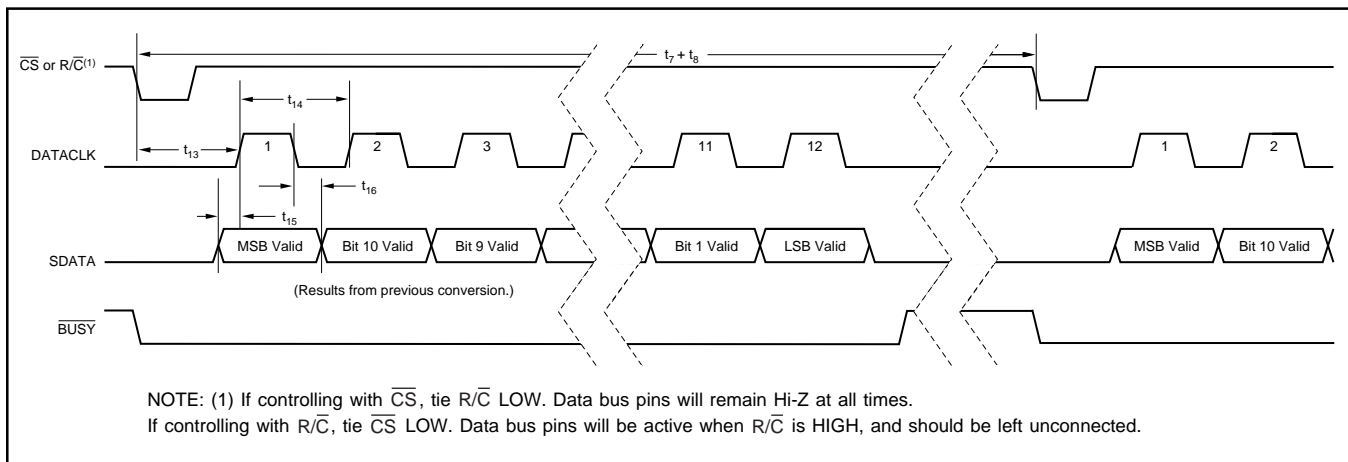


FIGURE 4. Serial Data Timing Using Internal Data Clock (TAG tied LOW).

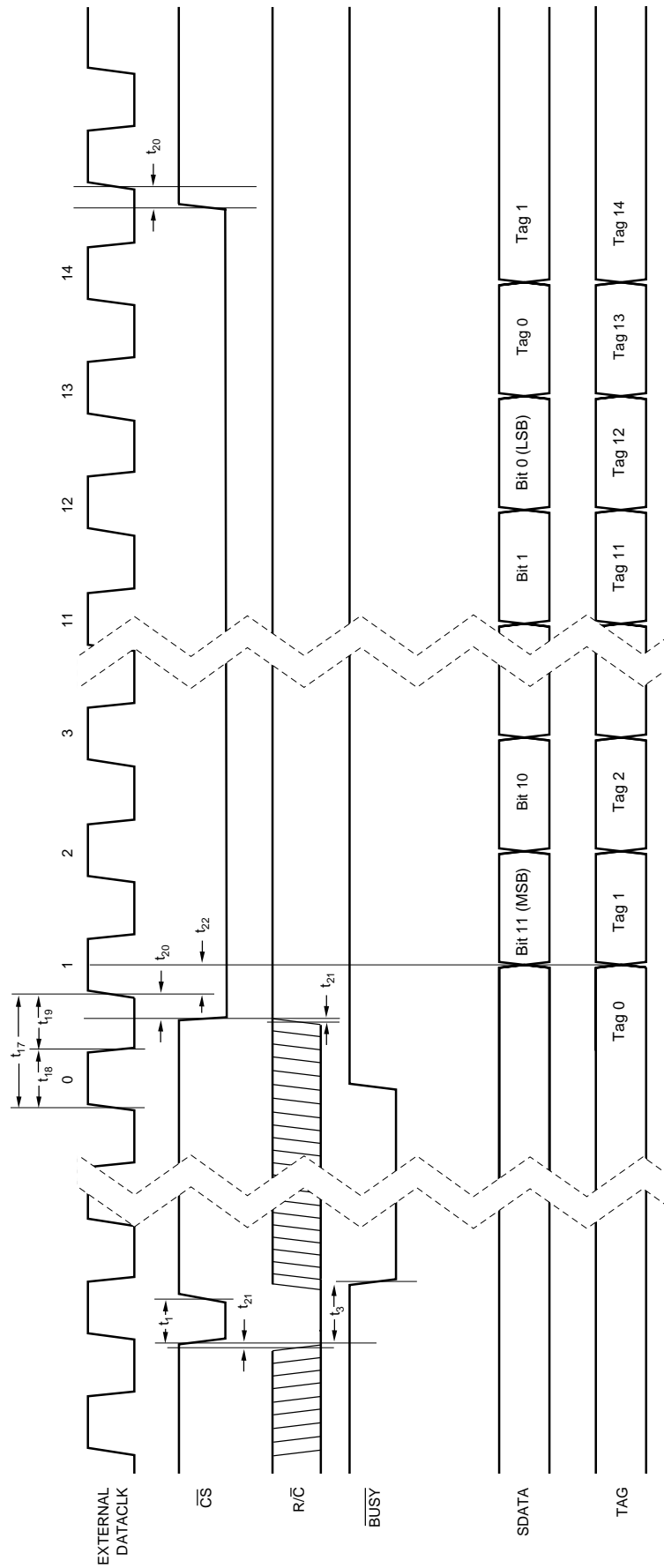


FIGURE 5. Conversion and Read Timing with External Clock (EXT/INT Tied HIGH) Read after Conversion.

## EXTERNAL DATA CLOCK

### (After a Conversion)

After conversion 'n' is completed and the output registers have been updated,  $\overline{\text{BUSY}}$  (pin 24) will go HIGH. With  $\overline{\text{CS}}$  LOW and  $\text{R}/\overline{\text{C}}$  HIGH, valid data from conversion 'n' will be output on SDATA (pin 19) synchronized to the external data clock input on DATACLK (pin 18). The MSB will be valid on the first falling edge and the second rising edge of the external data clock. The LSB will be valid on the 12th falling edge and 13th rising edge of the data clock. TAG (pin 20) will input a bit of data for every external clock pulse. The first bit input on TAG will be valid on SDATA on the 13th falling edge and the 14th rising edge of DATACLK; the second input bit will be valid on the 14th falling edge and the 15th rising edge, etc. With a continuous data clock, TAG data will be output on SDATA until the internal output registers are updated with the results from the next conversion. Refer to Table V and Figure 5.

## EXTERNAL DATA CLOCK

### (During a Conversion)

After conversion 'n' has been initiated, valid data from conversion 'n - 1' can be read and will be valid up to  $12\mu\text{s}$  after the start of conversion 'n'. Do not attempt to clock out data from  $12\mu\text{s}$  after the start of conversion 'n' until  $\overline{\text{BUSY}}$  (pin 24) rises; this will result in data loss. NOTE: For the best possible performance when using an external data clock, data should not be clocked out during a conversion. The switching noise of the asynchronous data clock can cause digital feedthrough degrading the converter's performance. Refer to Table VI and Figure 6.

## TAG FEATURE

TAG (pin 20) inputs serial data synchronized to the external or internal data clock.

When using an external data clock, the serial bit stream input on TAG will follow the LSB output on SDATA until the internal output register is updated with new conversion results. See Table VI and Figures 5 and 6.

The logic level input on TAG for the first rising edge of the internal data clock will be valid on SDATA after all 12 bits of valid data have been output.

## INPUT RANGES

The ADS7806 offers three input ranges: standard  $\pm 10\text{V}$ ,  $0\text{V}-5\text{V}$ , and a  $0\text{V}-4\text{V}$  range for complete, single-supply systems. See Figures 7a and 7b for the necessary circuit connections for implementing each input range and optional offset and gain adjust circuitry. Offset and full-scale error<sup>(1)</sup> specifications are tested with the fixed resistors, see Figure 7b. Adjustments for offset and gain are described in the Calibration section of this data sheet.

The offset and gain are adjusted internally to allow external trimming with a single supply. The external resistors compensate for this adjustment and can be left out if the offset and gain will be corrected in software (refer to the Calibration section).

The input impedance, summarized in Table II, results from the combination of the internal resistor network (see the front page of this data sheet) and the external resistors used for

NOTE: (1) Full-scale error includes offset and gain errors measured at both +FS and -FS.

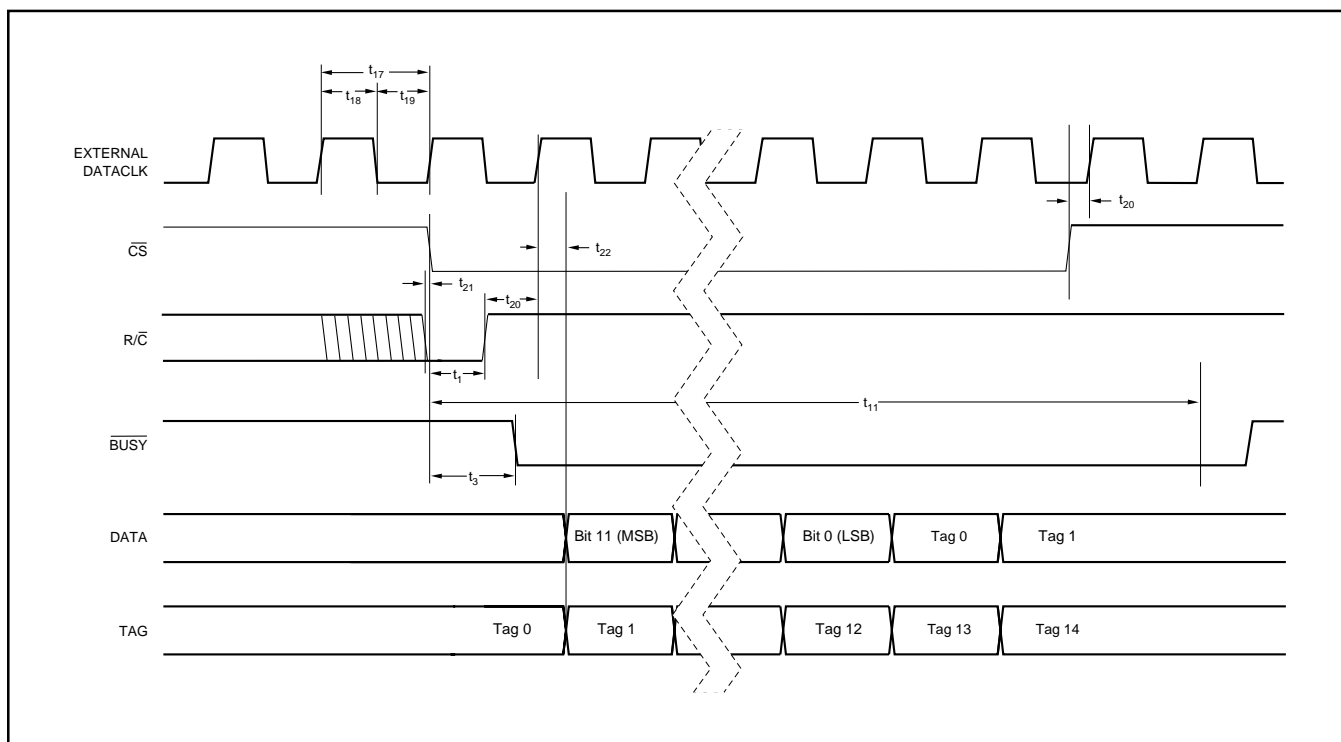


FIGURE 6. Conversion and Read Timing with External Clock ( $\text{EXT}/\overline{\text{INT}}$  tied HIGH) Read During a Conversion.

each input range (see Figure 8). The input resistor divider network provides inherent over-voltage protection to at least  $\pm 12V$  on  $R_{1IN}$  and  $\pm 5.5V$  on  $R_{2IN}$ .

Analog inputs above or below the expected range will yield either positive full-scale or negative full-scale digital outputs, respectively. There will be no wrapping or folding over for analog inputs outside the nominal range.

## CALIBRATION

### HARDWARE CALIBRATION

To calibrate the offset and gain of the ADS7806 in hardware, install the resistors shown in Figure 7a. Table VI lists the hardware trim ranges relative to the input for each input range.

### SOFTWARE CALIBRATION

To calibrate the offset and gain in software, no external resistors are required. However, to get the data sheet specifications for offset and gain, the resistors shown in Figure 7b

INPUT RANGE	OFFSET ADJUST RANGE (mV)	GAIN ADJUST RANGE (mV)
$\pm 10V$	$\pm 15$	$\pm 60$
0 to 5V	$\pm 4$	$\pm 30$
0 to 4V	$\pm 3$	$\pm 30$

TABLE VI. Offset and Gain Adjust Ranges for Hardware Calibration (see Figure 7a).

are necessary. See the No Calibration section for more details on the external resistors. Refer to Table VII for the range of offset and gain errors with and without the external resistors.

### NO CALIBRATION

Figure 7b shows circuit connections. Note that the actual voltage dropped across the external resistors is at least two orders of magnitude lower than the voltage dropped across the internal resistor divider network. This should be consid-

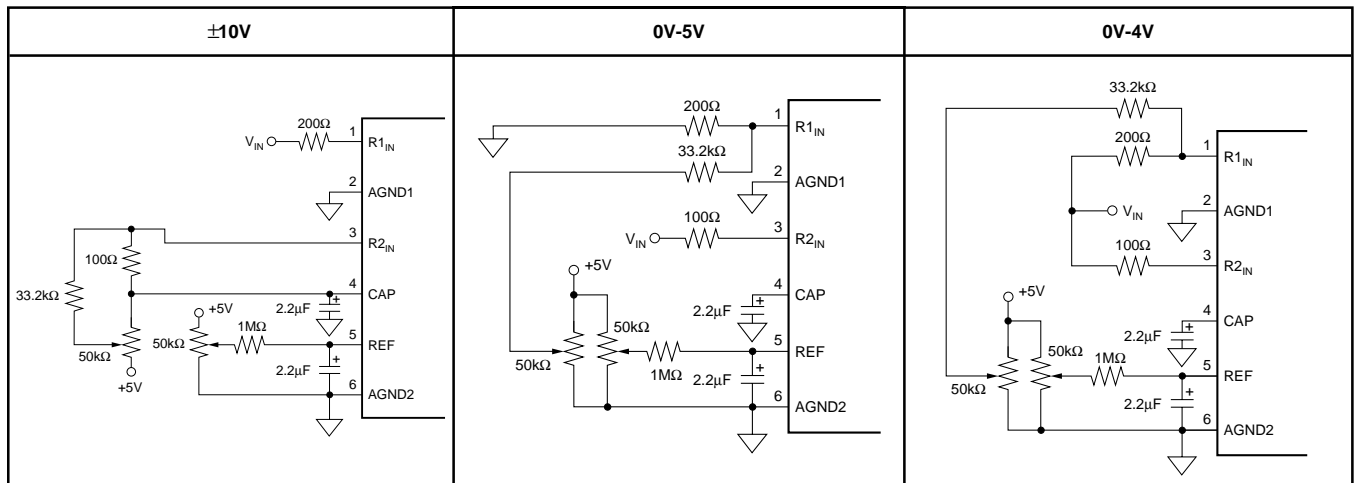


FIGURE 7a. Circuit Diagrams (With Hardware Trim).

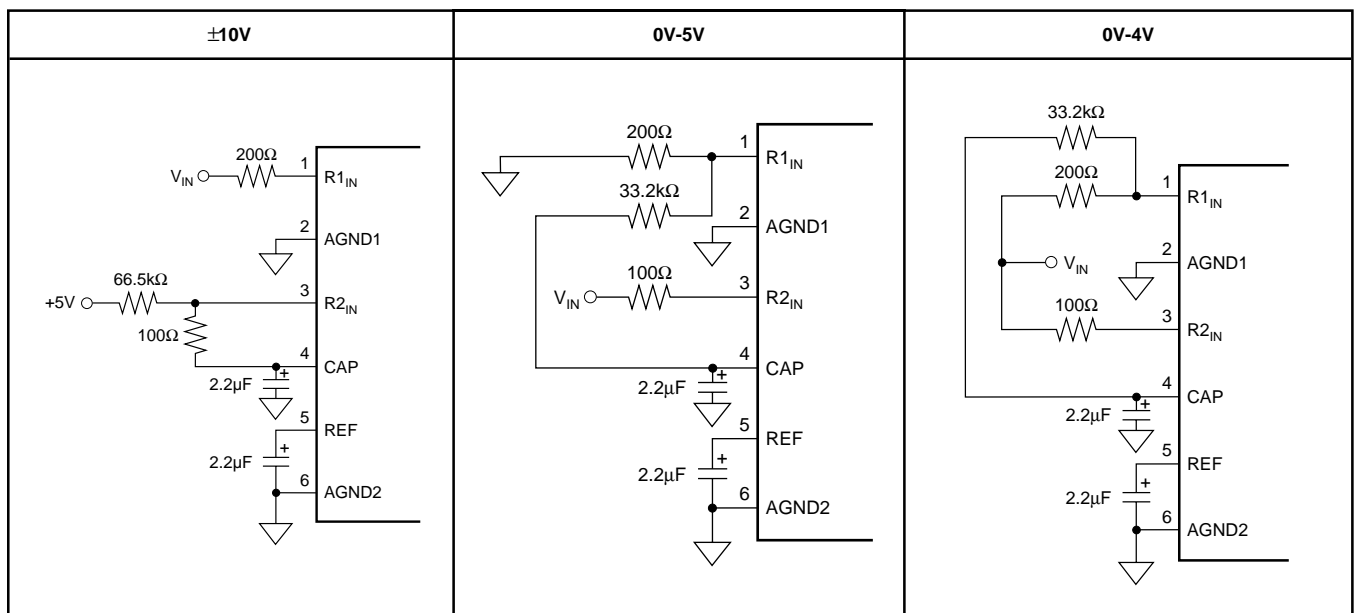


FIGURE 7b. Circuit Diagrams (Without Hardware Trim).

ered when choosing the accuracy and drift specifications of the external resistors. In most applications, 1% metal-film resistors will be sufficient.

The external resistors, see Figure 7b, may not be necessary in some applications. These resistors provide compensation for an internal adjustment of the offset and gain which allows calibration with a single supply. Not using the external resistors will result in offset and gain errors in addition to those listed in the electrical characteristics section. Offset refers to the equivalent voltage of the digital output when converting with the input grounded. A positive gain error occurs when the equivalent output voltage of the digital output is larger than the analog input. Refer to Table VII for nominal ranges of gain and offset errors with and without the external resistors. Refer to Figure 8 for typical shifts in the transfer functions which occur when the external resistors are removed.

To further analyze the effects of removing any combination of the external resistors, consider Figure 9. The combination of the external and the internal resistors form a voltage divider which reduces the input signal to a 0.3125V to 2.8125V input range at the Capacitor Digital-to-Analog Converter (CDAC). The internal resistors are laser trimmed to high relative accuracy to meet full specifications. The actual input impedance of the internal resistor network looking into pin 1 or pin 3, however, is only accurate to  $\pm 20\%$  due to process variations. This should be taken into account when determining the effects of removing the external resistors.

## REFERENCE

The ADS7806 can operate with its internal 2.5V reference or an external reference. By applying an external reference to pin 5, the internal reference can be bypassed; REFD (pin 26)

INPUT RANGE (V)	OFFSET ERROR			GAIN ERROR		
	WITH RESISTORS	WITHOUT RESISTORS		WITH RESISTORS	WITHOUT RESISTORS	
	RANGE (mV)	RANGE (mV)	TYP (mV)	RANGE (% FS)	RANGE (% FS)	TYP
$\pm 10$	$-10 \leq \text{BPZ} \leq 10$	$0 \leq \text{BPZ} \leq 35$	+15	$-0.4 \leq G \leq 0.4$ $0.15 \leq G^{(1)} \leq 0.15$	$-0.3 \leq G \leq 0.5$ $-0.1 \leq G^{(1)} \leq 0.2$	+0.05 +0.05
0 to 5	$-3 \leq \text{UPO} \leq 3$	$-12 \leq \text{UPO} \leq -3$	-7.5	$-0.4 \leq G \leq 0.4$ $0.15 \leq G^{(1)} \leq 0.15$	$-1.0 \leq G \leq 0.1$ $-0.55 \leq G^{(1)} \leq -0.05$	-0.2 -0.2
0 to 4	$-3 \leq \text{UPO} \leq 3$	$-10.5 \leq \text{UPO} \leq -1.5$	-6	$-0.4 \leq G \leq 0.4$ $-0.15 \leq G^{(1)} \leq 0.15$	$-1.0 \leq G \leq 0.1$ $-0.55 \leq G^{(1)} \leq -0.05$	-0.2 -0.2

NOTE: (1) High Grade.

TABLE VII. Range of Offset and Gain Errors With and Without External Resistors

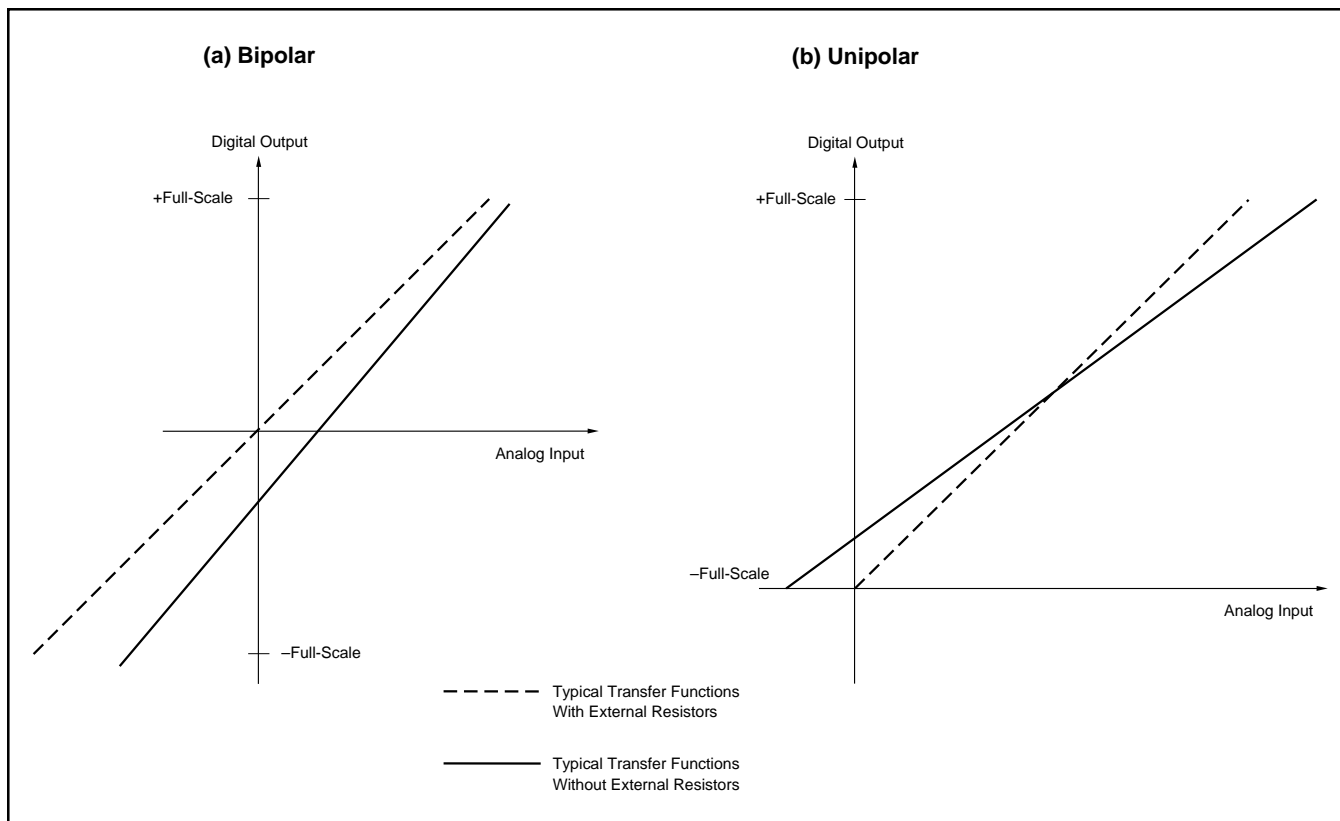


FIGURE 8. Typical Transfer Functions With and Without External Resistors.

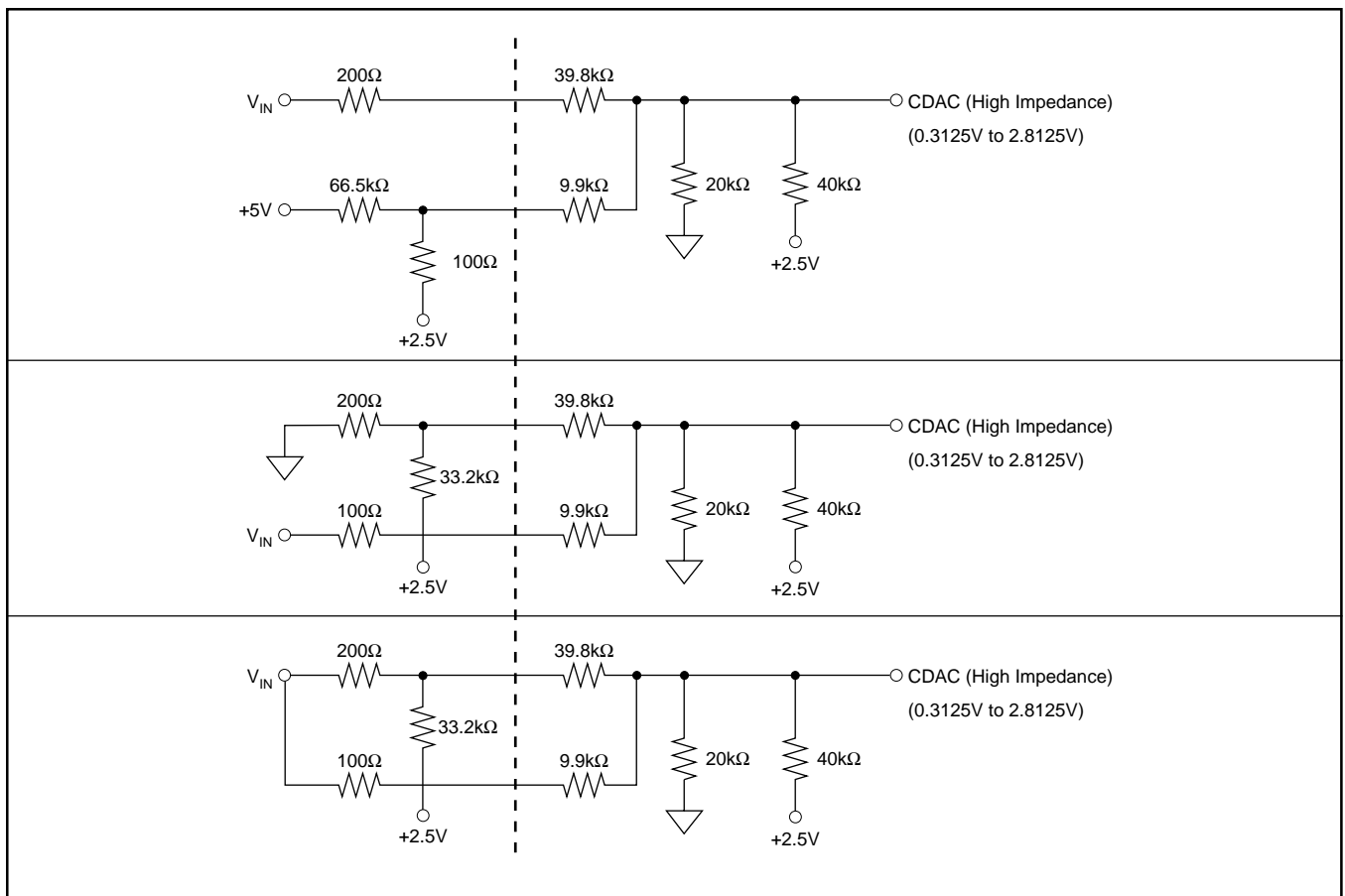


FIGURE 9. Circuit Diagrams Showing External and Internal Resistors.

tied HIGH will power-down the internal reference reducing the overall power consumption of the ADS7806 by approximately 5mW.

The internal reference has approximately an 8 ppm/°C drift (typical) and accounts for approximately 20% of the full-scale error (FSE = ±0.5% for low grade, ±0.25% for high grade).

The ADS7806 also has an internal buffer for the reference voltage. Figure 10 shows characteristic impedances at the input and output of the buffer with all combinations of power-down and reference down.

### REF

REF (pin 5) is an input for an external reference or the output for the internal 2.5V reference. A 2.2μF tantalum capacitor should be connected as close as possible to the REF pin from ground. This capacitor and the output resistance of REF create a low-pass filter to bandlimit noise on the reference. Using a smaller value capacitor will introduce more noise to the reference, degrading the SNR and SINAD. The REF pin should not be used to drive external AC or DC loads, as shown in Figure 10.

The range for the external reference is 2.3V to 2.7V and determines the actual LSB size. Increasing the reference voltage will increase the full-scale range and the LSB size of the converter which can improve the SNR.

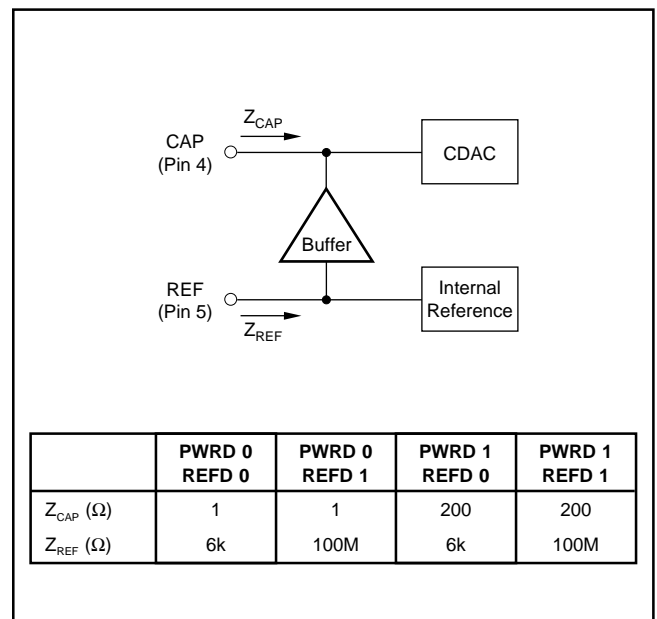


FIGURE 10. Characteristic Impedances of Internal Buffer.

### CAP

CAP (pin 4) is the output of the internal reference buffer. A 2.2μF tantalum capacitor should be placed as close as possible to the CAP pin from ground to provide optimum switching currents for the CDAC throughout the conversion

cycle. This capacitor also provides compensation for the output of the buffer. Using a capacitor any smaller than  $1\mu\text{F}$  can cause the output buffer to oscillate and may not have sufficient charge for the CDAC. Capacitor values larger than  $2.2\mu\text{F}$  will have little affect on improving performance. See Figures 10 and 11.

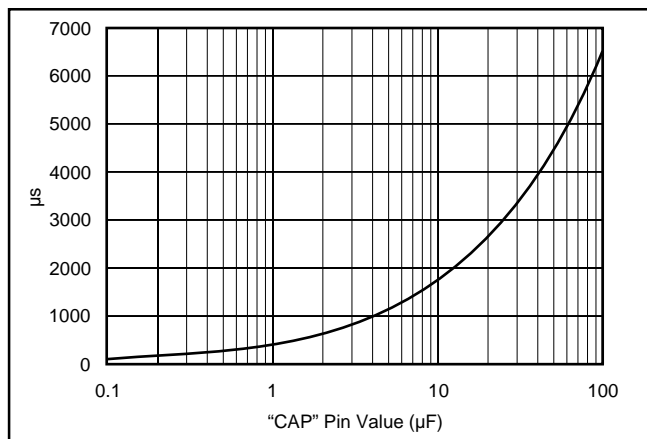


FIGURE 11. Power-Down to Power-Up Time vs Capacitor Value on CAP.

The output of the buffer is capable of driving up to 1mA of current to a DC load. Using an external buffer will allow the internal reference to be used for larger DC loads and AC loads. Do not attempt to directly drive an AC load with the output voltage on CAP. This will cause performance degradation of the converter.

## REFERENCE AND POWER-DOWN

The ADS7806 has analog power-down and reference power down capabilities via PWRD (pin 25) and REFD (pin 26), respectively. PWRD and REFD HIGH will power-down all analog circuitry maintaining data from the previous conversion in the internal registers, provided that the data has not already been shifted out through the serial port. Typical power consumption in this mode is  $50\mu\text{W}$ . Power recovery is typically 1ms, using a  $2.2\mu\text{F}$  capacitor connected to CAP. Figure 11 shows power-down to power-up recovery time relative to the capacitor value on CAP. With +5V applied to  $V_{\text{DIG}}$ , the digital circuitry of the ADS7806 remains active at all times, regardless of PWRD and REFD states.

### PWRD

PWRD HIGH will power-down all of the analog circuitry except for the reference. Data from the previous conversion will be maintained in the internal registers and can still be read. With PWRD HIGH, a convert command yields meaningless data.

### REFD

REFD HIGH will power-down the internal 2.5V reference. All other analog circuitry, including the reference buffer, will be active. REFD should be HIGH when using an external reference to minimize power consumption and the loading effects on the external reference. See Figure 10 for the characteristic impedance of the reference buffer's input for both REFD HIGH and LOW. The internal reference consumes approximately 5mW.

## LAYOUT

### POWER

For optimum performance, tie the analog and digital power pins to the same +5V power supply and tie the analog and digital grounds together. As noted in the electrical characteristics, the ADS7806 uses 90% of its power for the analog circuitry. The ADS7806 should be considered as an analog component.

The +5V power for the A/D converter should be separate from the +5V used for the system's digital logic. Connecting  $V_{\text{DIG}}$  (pin 28) directly to a digital supply can reduce converter performance due to switching noise from the digital logic. For best performance, the +5V supply can be produced from whatever analog supply is used for the rest of the analog signal conditioning. If +12V or +15V supplies are present, a simple +5V regulator can be used. Although it is not suggested, if the digital supply must be used to power the converter, be sure to properly filter the supply. When using either a filtered digital supply or a regulated analog supply, both  $V_{\text{DIG}}$  and  $V_{\text{ANA}}$  should be tied to the same +5V source.

### GROUNDING

Three ground pins are present on the ADS7806.  $D_{\text{GND}}$  is the digital supply ground.  $A_{\text{GND}2}$  is the analog supply ground.  $A_{\text{GND}1}$  is the ground to which all analog signals internal to the A/D converter are referenced.  $A_{\text{GND}1}$  is more susceptible to current induced voltage drops and must have the path of least resistance back to the power supply.

All the ground pins of the A/D converter should be tied to an analog ground plane, separated from the system's digital logic ground, to achieve optimum performance. Both analog and digital ground planes should be tied to the "system" ground as near to the power supplies as possible. This helps to prevent dynamic digital ground currents from modulating the analog ground through a common impedance to power ground.

### SIGNAL CONDITIONING

The FET switches used for the sample hold on many CMOS A/D converters release a significant amount of charge injection which can cause the driving op amp to oscillate. The amount of charge injection due to the sampling FET switch

on the ADS7806 is approximately 5% to 10% of the amount on similar A/D converters with the charge redistribution Digital-to-Analog Converter (DAC) CDAC architecture. There is also a resistive front end which attenuates any charge which is released. The end result is a minimal requirement for the drive capability on the signal conditioning preceding the A/D converter. Any op amp sufficient for the signal in an application will be sufficient to drive the ADS7806.

The resistive front end of the ADS7806 also provides a specified  $\pm 25V$  over-voltage protection. In most cases, this eliminates the need for external over-voltage protection circuitry.

## INTERMEDIATE LATCHES

The ADS7806 does have tri-state outputs for the parallel port, but intermediate latches should be used if the bus will be active during conversions. If the bus is not active during conversion, the tri-state outputs can be used to isolate the A/D converter from other peripherals on the same bus.

Intermediate latches are beneficial on any monolithic A/D converter. The ADS7806 has an internal LSB size of  $610\mu V$ . Transients from fast switching signals on the parallel port, even when the A/D converter is tri-stated, can be coupled through the substrate to the analog circuitry causing degradation of converter performance. The effects of this phenomenon will be more obvious when using the pin-compatible ADS7807 or any of the other 16-bit converters in the ADS Family. This is due to the smaller internal LSB size of  $38\mu V$ .

## APPLICATIONS INFORMATION

### QSPI™ INTERFACING

Figure 12 shows a simple interface between the ADS7806 and any QSPI equipped microcontroller. This interface assumes that the convert pulse does not originate from the microcontroller and that the ADS7806 is the only serial peripheral.

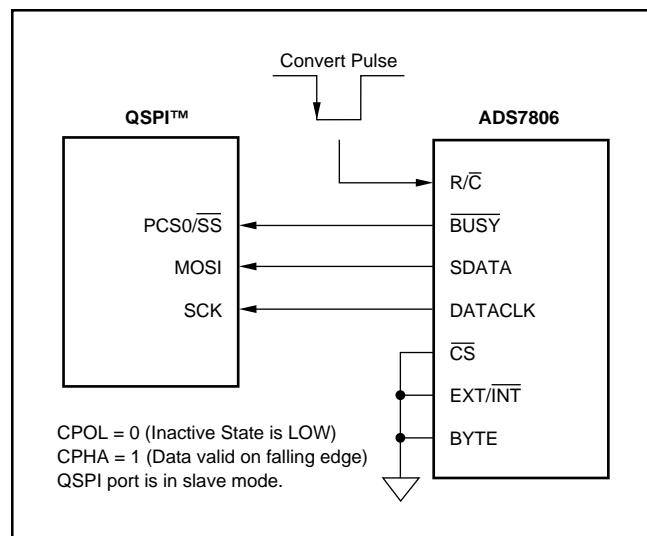


FIGURE 12. QSPI Interface to the ADS7806.

Before enabling the QSPI interface, the microcontroller must be configured to monitor the slave-select line. When a transition from LOW to HIGH occurs on Slave Select ( $\overline{SS}$ ) from  $\overline{BUSY}$  (indicating the end of the current conversion), the port can be enabled. If this is not done, the microcontroller and the A/D converter may be “out-of-sync.”

Figure 13 shows another interface between the ADS7806 and a QSPI equipped microcontroller. The interface allows the microcontroller to give the convert pulses while also allowing multiple peripherals to be connected to the serial bus. This interface and the following discussion assume a master clock for the QSPI interface of 16.78MHz. Notice that the serial data input of the microcontroller is tied to the MSB (D7) of the ADS7806 instead of the serial output (SDATA). Using D7 instead of the serial port offers tri-state capability which allows other peripherals to be connected to the MISO pin. When communication is desired with those peripherals, PCS0 and PCS1 should be left HIGH; that will keep D7 tri-stated and prevent a conversion from taking place.

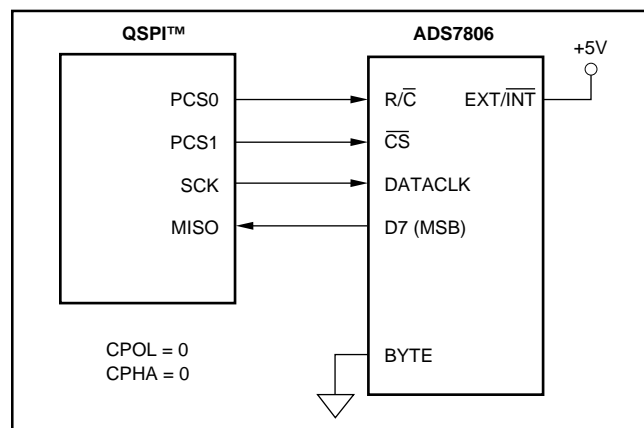


FIGURE 13. QSPI Interface to the ADS7806. Processor Initiates Conversions.

In this configuration, the QSPI interface is actually set to do two different serial transfers. The first, an 8-bit transfer, causes PCS0 ( $\overline{R/C}$ ) and PCS1 ( $\overline{CS}$ ) to go LOW, starting a conversion. The second, a 12-bit transfer, causes only PCS1 ( $\overline{CS}$ ) to go LOW. This is when the valid data will be transferred.

For both transfers, the DT register (delay after transfer) is used to cause a  $19\mu s$  delay. The interface is also set up to wrap to the beginning of the queue. In this manner, the QSPI is a state machine which generates the appropriate timing for the ADS7806. This timing is thus locked to the crystal-based timing of the microcontroller and not interrupt driven. So, this interface is appropriate for both AC and DC measurements.

For the fastest conversion rate, the baud rate should be set to 2 (4.19MHz SCK), DT set to 10, the first serial transfer set to eight bits, the second set to 12 bits, and DSCK disabled (in the command control byte). This will allow for a 23kHz maximum conversion rate. For slower rates, DT should be increased. Do not slow SCK as this may increase the chance of affecting the conversion results or accidentally initiating a second conversion during the first 8-bit transfer.

In addition, CPOL and CPHA should be set to zero (SCK normally LOW and data captured on the rising edge). The command control byte for the 8-bit transfer should be set to 20<sub>H</sub> and for the 12-bit transfer to 61<sub>H</sub>.

## SPI™ INTERFACE

The SPI interface is generally only capable of 8-bit data transfers. For some microcontrollers with SPI interfaces, it might be possible to receive data in a similar manner as shown for the QSPI interface in Figure 12. The microcontroller will need to fetch the eight most significant bits before the contents are overwritten by the least significant bits.

A modified version of the QSPI interface, see Figure 13, might be possible. For most microcontrollers with SPI interface, the automatic generation of the start-of-conversion pulse will be impossible and will have to be done with software. This will limit the interface to 'DC' applications due to the insufficient jitter performance of the convert pulse itself.

## DSP56000 INTERFACING

The DSP56000 serial interface has an SPI compatibility mode with some enhancements. Figure 14 shows an interface between the ADS7806 and the DSP56000 which is very similar to the QSPI interface seen in Figure 12. As mentioned in the QSPI section, the DSP56000 must be programmed to enable the interface when a LOW-to-HIGH transition on SC1 is observed (BUSY going HIGH at the end of conversion).

The DSP56000 can also provide the convert pulse by including a monostable multi-vibrator as seen in Figure 15. The receive and transmit sections of the interface are decoupled (asynchronous mode) and the transmit section is set to generate a word length frame sync every other transmit frame (frame rate divider set to two). The prescale modulus should be set to five.

SPI is a registered trademark of Motorola.

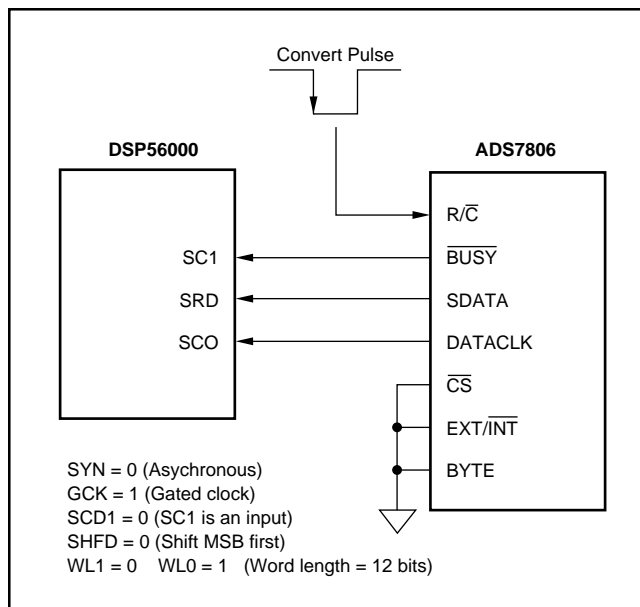


FIGURE 14. DSP56000 Interface to the ADS7806.

The monostable multi-vibrator in this circuit will provide varying pulse widths for the convert pulse. The pulse width will be determined by the external R and C values used with the multi-vibrator. The 74HCT123N data sheet shows that the pulse width is  $(0.7)RC$ . Choosing a pulse width as close to the minimum value specified in this data sheet will offer the best performance. See the Starting A Conversion pulse width.

The maximum conversion rate for a 20.48MHz DSP56000 is 35.6kHz. If a slower oscillator can be tolerated on the DSP56000, a conversion rate of 40kHz can be achieved by using a 19.2MHz clock and a prescale modulus of four.

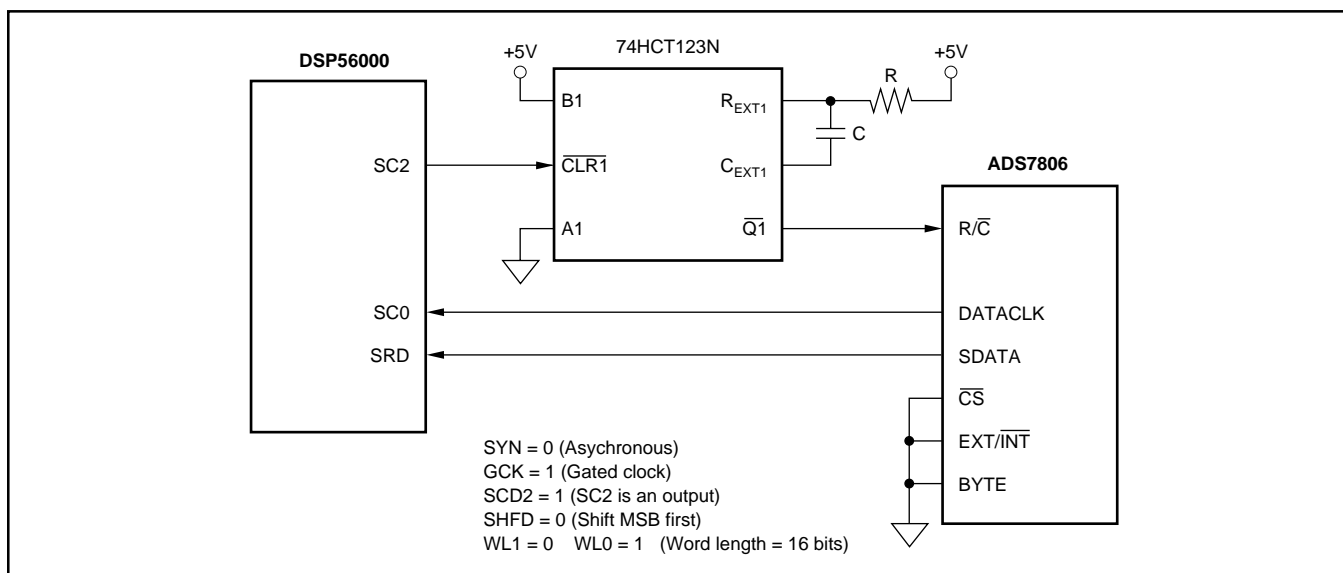


FIGURE 15. DSP56000 Interface to the ADS7806. Processor initiates conversions.

**PACKAGING INFORMATION**

Orderable Device	Status <sup>(1)</sup>	Package Type	Package Drawing	Pins	Package Qty	Eco Plan <sup>(2)</sup>	Lead/ Ball Finish	MSL Peak Temp <sup>(3)</sup>	Samples (Requires Login)
ADS7806P	NRND	PDIP	NT	28	13	Green (RoHS & no Sb/Br)	CU NIPDAU	N / A for Pkg Type	
ADS7806PB	NRND	PDIP	NT	28	13	Green (RoHS & no Sb/Br)	CU NIPDAU	N / A for Pkg Type	
ADS7806PBG4	NRND	PDIP	NT	28	13	Green (RoHS & no Sb/Br)	CU NIPDAU	N / A for Pkg Type	
ADS7806PG4	NRND	PDIP	NT	28	13	Green (RoHS & no Sb/Br)	CU NIPDAU	N / A for Pkg Type	
ADS7806U	NRND	SOIC	DW	28	20	Green (RoHS & no Sb/Br)	CU NIPDAU	Level-3-260C-168 HR	
ADS7806U/1K	NRND	SOIC	DW	28	1000	Green (RoHS & no Sb/Br)	CU NIPDAU	Level-3-260C-168 HR	
ADS7806U/1KE4	NRND	SOIC	DW	28	1000	Green (RoHS & no Sb/Br)	CU NIPDAU	Level-3-260C-168 HR	
ADS7806U/1KG4	NRND	SOIC	DW	28	1000	Green (RoHS & no Sb/Br)	CU NIPDAU	Level-3-260C-168 HR	
ADS7806UB	NRND	SOIC	DW	28	20	Green (RoHS & no Sb/Br)	CU NIPDAU	Level-3-260C-168 HR	
ADS7806UB/1K	NRND	SOIC	DW	28	1000	Green (RoHS & no Sb/Br)	CU NIPDAU	Level-3-260C-168 HR	
ADS7806UB/1KE4	NRND	SOIC	DW	28	1000	Green (RoHS & no Sb/Br)	CU NIPDAU	Level-3-260C-168 HR	
ADS7806UBG4	NRND	SOIC	DW	28	20	Green (RoHS & no Sb/Br)	CU NIPDAU	Level-3-260C-168 HR	
ADS7806UE4	NRND	SOIC	DW	28	20	Green (RoHS & no Sb/Br)	CU NIPDAU	Level-3-260C-168 HR	
ADS7806UG4	NRND	SOIC	DW	28	20	Green (RoHS & no Sb/Br)	CU NIPDAU	Level-3-260C-168 HR	

<sup>(1)</sup> The marketing status values are defined as follows:

**ACTIVE:** Product device recommended for new designs.

**LIFEBUY:** TI has announced that the device will be discontinued, and a lifetime-buy period is in effect.

**NRND:** Not recommended for new designs. Device is in production to support existing customers, but TI does not recommend using this part in a new design.

**PREVIEW:** Device has been announced but is not in production. Samples may or may not be available.

**OBSELETE:** TI has discontinued the production of the device.

<sup>(2)</sup> Eco Plan - The planned eco-friendly classification: Pb-Free (RoHS), Pb-Free (RoHS Exempt), or Green (RoHS & no Sb/Br) - please check <http://www.ti.com/productcontent> for the latest availability information and additional product content details.

**TBD:** The Pb-Free/Green conversion plan has not been defined.

**Pb-Free (RoHS):** TI's terms "Lead-Free" or "Pb-Free" mean semiconductor products that are compatible with the current RoHS requirements for all 6 substances, including the requirement that lead not exceed 0.1% by weight in homogeneous materials. Where designed to be soldered at high temperatures, TI Pb-Free products are suitable for use in specified lead-free processes.

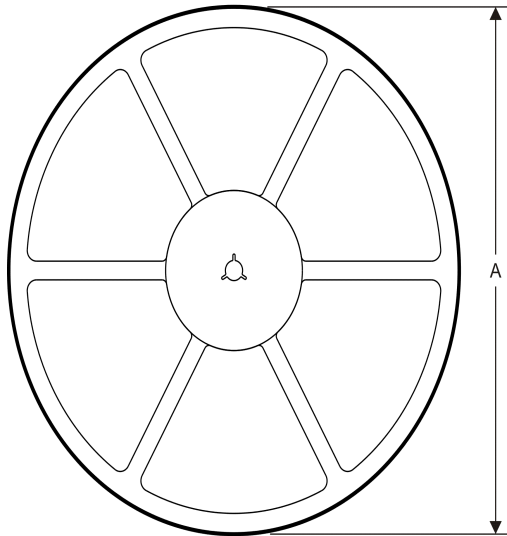
**Pb-Free (RoHS Exempt):** This component has a RoHS exemption for either 1) lead-based flip-chip solder bumps used between the die and package, or 2) lead-based die adhesive used between the die and leadframe. The component is otherwise considered Pb-Free (RoHS compatible) as defined above.

**Green (RoHS & no Sb/Br):** TI defines "Green" to mean Pb-Free (RoHS compatible), and free of Bromine (Br) and Antimony (Sb) based flame retardants (Br or Sb do not exceed 0.1% by weight in homogeneous material)

<sup>(3)</sup> MSL, Peak Temp. -- The Moisture Sensitivity Level rating according to the JEDEC industry standard classifications, and peak solder temperature.

**Important Information and Disclaimer:** The information provided on this page represents TI's knowledge and belief as of the date that it is provided. TI bases its knowledge and belief on information provided by third parties, and makes no representation or warranty as to the accuracy of such information. Efforts are underway to better integrate information from third parties. TI has taken and continues to take reasonable steps to provide representative and accurate information but may not have conducted destructive testing or chemical analysis on incoming materials and chemicals. TI and TI suppliers consider certain information to be proprietary, and thus CAS numbers and other limited information may not be available for release.

In no event shall TI's liability arising out of such information exceed the total purchase price of the TI part(s) at issue in this document sold by TI to Customer on an annual basis.

**TAPE AND REEL INFORMATION**
**REEL DIMENSIONS**

**TAPE DIMENSIONS**


A0	Dimension designed to accommodate the component width
B0	Dimension designed to accommodate the component length
K0	Dimension designed to accommodate the component thickness
W	Overall width of the carrier tape
P1	Pitch between successive cavity centers

**TAPE AND REEL INFORMATION**

\*All dimensions are nominal

Device	Package Type	Package Drawing	Pins	SPQ	Reel Diameter (mm)	Reel Width W1 (mm)	A0 (mm)	B0 (mm)	K0 (mm)	P1 (mm)	W (mm)	Pin1 Quadrant
ADS7806U/1K	SOIC	DW	28	1000	330.0	32.4	11.35	18.67	3.1	16.0	32.0	Q1
ADS7806UB/1K	SOIC	DW	28	1000	330.0	32.4	11.35	18.67	3.1	16.0	32.0	Q1

## TAPE AND REEL BOX DIMENSIONS



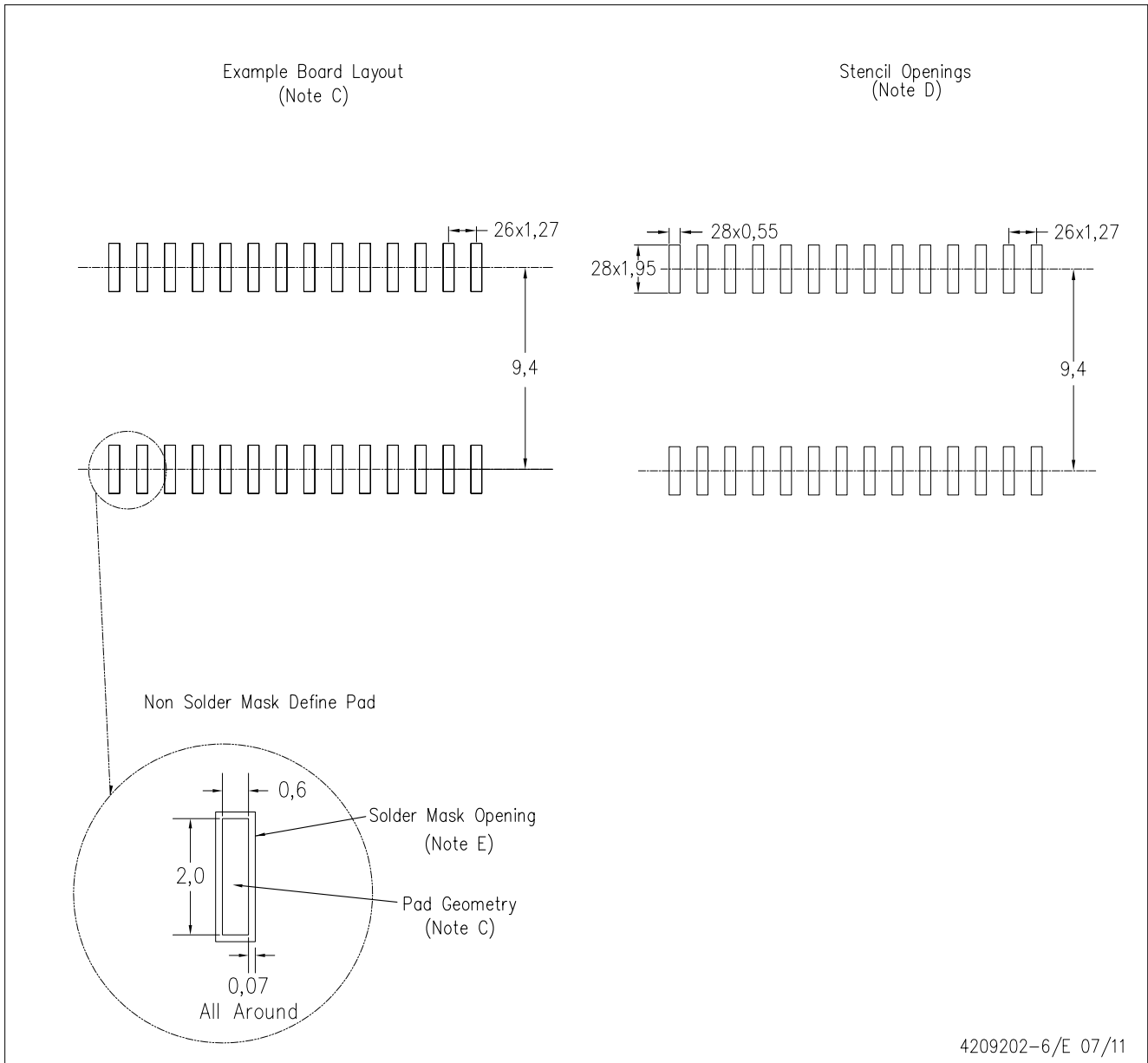
\*All dimensions are nominal

Device	Package Type	Package Drawing	Pins	SPQ	Length (mm)	Width (mm)	Height (mm)
ADS7806U/1K	SOIC	DW	28	1000	367.0	367.0	55.0
ADS7806UB/1K	SOIC	DW	28	1000	367.0	367.0	55.0



DW (R-PDSO-G28)

PLASTIC SMALL OUTLINE



4209202-6/E 07/11

- NOTES:
- A. All linear dimensions are in millimeters.
  - B. This drawing is subject to change without notice.
  - C. Refer to IPC7351 for alternate board design.
  - D. Laser cutting apertures with trapezoidal walls and also rounding corners will offer better paste release. Customers should contact their board assembly site for stencil design recommendations. Refer to IPC-7525
  - E. Customers should contact their board fabrication site for solder mask tolerances between and around signal pads.

## IMPORTANT NOTICE

Texas Instruments Incorporated and its subsidiaries (TI) reserve the right to make corrections, enhancements, improvements and other changes to its semiconductor products and services per JESD46C and to discontinue any product or service per JESD48B. Buyers should obtain the latest relevant information before placing orders and should verify that such information is current and complete. All semiconductor products (also referred to herein as "components") are sold subject to TI's terms and conditions of sale supplied at the time of order acknowledgment.

TI warrants performance of its components to the specifications applicable at the time of sale, in accordance with the warranty in TI's terms and conditions of sale of semiconductor products. Testing and other quality control techniques are used to the extent TI deems necessary to support this warranty. Except where mandated by applicable law, testing of all parameters of each component is not necessarily performed.

TI assumes no liability for applications assistance or the design of Buyers' products. Buyers are responsible for their products and applications using TI components. To minimize the risks associated with Buyers' products and applications, Buyers should provide adequate design and operating safeguards.

TI does not warrant or represent that any license, either express or implied, is granted under any patent right, copyright, mask work right, or other intellectual property right relating to any combination, machine, or process in which TI components or services are used. Information published by TI regarding third-party products or services does not constitute a license to use such products or services or a warranty or endorsement thereof. Use of such information may require a license from a third party under the patents or other intellectual property of the third party, or a license from TI under the patents or other intellectual property of TI.

Reproduction of significant portions of TI information in TI data books or data sheets is permissible only if reproduction is without alteration and is accompanied by all associated warranties, conditions, limitations, and notices. TI is not responsible or liable for such altered documentation. Information of third parties may be subject to additional restrictions.

Resale of TI components or services with statements different from or beyond the parameters stated by TI for that component or service voids all express and any implied warranties for the associated TI component or service and is an unfair and deceptive business practice. TI is not responsible or liable for any such statements.

Buyer acknowledges and agrees that it is solely responsible for compliance with all legal, regulatory and safety-related requirements concerning its products, and any use of TI components in its applications, notwithstanding any applications-related information or support that may be provided by TI. Buyer represents and agrees that it has all the necessary expertise to create and implement safeguards which anticipate dangerous consequences of failures, monitor failures and their consequences, lessen the likelihood of failures that might cause harm and take appropriate remedial actions. Buyer will fully indemnify TI and its representatives against any damages arising out of the use of any TI components in safety-critical applications.

In some cases, TI components may be promoted specifically to facilitate safety-related applications. With such components, TI's goal is to help enable customers to design and create their own end-product solutions that meet applicable functional safety standards and requirements. Nonetheless, such components are subject to these terms.

No TI components are authorized for use in FDA Class III (or similar life-critical medical equipment) unless authorized officers of the parties have executed a special agreement specifically governing such use.

Only those TI components which TI has specifically designated as military grade or "enhanced plastic" are designed and intended for use in military/aerospace applications or environments. Buyer acknowledges and agrees that any military or aerospace use of TI components which have **not** been so designated is solely at the Buyer's risk, and that Buyer is solely responsible for compliance with all legal and regulatory requirements in connection with such use.

TI has specifically designated certain components which meet ISO/TS16949 requirements, mainly for automotive use. Components which have not been so designated are neither designed nor intended for automotive use; and TI will not be responsible for any failure of such components to meet such requirements.

### Products

Audio	<a href="http://www.ti.com/audio">www.ti.com/audio</a>
Amplifiers	<a href="http://amplifier.ti.com">amplifier.ti.com</a>
Data Converters	<a href="http://dataconverter.ti.com">dataconverter.ti.com</a>
DLP® Products	<a href="http://www.dlp.com">www.dlp.com</a>
DSP	<a href="http://dsp.ti.com">dsp.ti.com</a>
Clocks and Timers	<a href="http://www.ti.com/clocks">www.ti.com/clocks</a>
Interface	<a href="http://interface.ti.com">interface.ti.com</a>
Logic	<a href="http://logic.ti.com">logic.ti.com</a>
Power Mgmt	<a href="http://power.ti.com">power.ti.com</a>
Microcontrollers	<a href="http://microcontroller.ti.com">microcontroller.ti.com</a>
RFID	<a href="http://www.ti-rfid.com">www.ti-rfid.com</a>
OMAP Mobile Processors	<a href="http://www.ti.com/omap">www.ti.com/omap</a>
Wireless Connectivity	<a href="http://www.ti.com/wirelessconnectivity">www.ti.com/wirelessconnectivity</a>

### Applications

Automotive and Transportation	<a href="http://www.ti.com/automotive">www.ti.com/automotive</a>
Communications and Telecom	<a href="http://www.ti.com/communications">www.ti.com/communications</a>
Computers and Peripherals	<a href="http://www.ti.com/computers">www.ti.com/computers</a>
Consumer Electronics	<a href="http://www.ti.com/consumer-apps">www.ti.com/consumer-apps</a>
Energy and Lighting	<a href="http://www.ti.com/energy">www.ti.com/energy</a>
Industrial	<a href="http://www.ti.com/industrial">www.ti.com/industrial</a>
Medical	<a href="http://www.ti.com/medical">www.ti.com/medical</a>
Security	<a href="http://www.ti.com/security">www.ti.com/security</a>
Space, Avionics and Defense	<a href="http://www.ti.com/space-avionics-defense">www.ti.com/space-avionics-defense</a>
Video and Imaging	<a href="http://www.ti.com/video">www.ti.com/video</a>

**TI E2E Community** [e2e.ti.com](http://e2e.ti.com)