

DS96173/DS96175 RS-485/RS-422 Quad Differential Line Receivers

 Check for Samples: [DS96173](#), [DS96175](#)

FEATURES

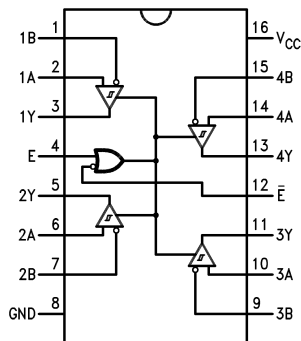
- Meets EIA Standard RS-485, RS-422A, RS-423A
- Designed for Multipoint Bus Applications
- TRI-STATE Outputs
- Common Mode Input Voltage Range: $-7V$ to $+12V$
- Operates from Single $+5V$ Supply
- Input Sensitivity of ± 200 mV over Common Mode Range
- Input Hysteresis of 50 mV Typical
- High Input Impedance
- DS96173/DS96175 are Lead and Function Compatible with SN75173/75175 or the AM26LS32/MC3486 Respectively

DESCRIPTION

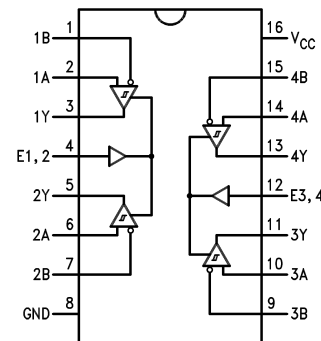
The DS96173 and DS96175 are high speed quad differential line receivers designed to meet EIA Standard RS-485. The devices have TRI-STATE outputs and are optimized for balanced multipoint data bus transmission at rates up to 10 Mbps. The receivers feature high input impedance, input hysteresis for increased noise immunity, and input sensitivity of 200 mV over a common mode input voltage range of $-7V$ to $+12V$. The receivers are therefore suitable for multipoint applications in noisy environments. The DS96173 features an active high and active low Enable, common to all four receivers. The DS96175 features separate active high Enables for each receiver pair. Compatible RS-485 drivers, transceivers, and repeaters are also offered to provide optimum bus performance. The respective device types are DS96172, DS96174, DS96176 and DS96177.

Pin Diagrams

16-Lead PDIP Package - DS96173



16-Lead PDIP Package - DS96175



See Package Number NFG0016E



Please be aware that an important notice concerning availability, standard warranty, and use in critical applications of Texas Instruments semiconductor products and disclaimers thereto appears at the end of this data sheet.

All trademarks are the property of their respective owners.



These devices have limited built-in ESD protection. The leads should be shorted together or the device placed in conductive foam during storage or handling to prevent electrostatic damage to the MOS gates.

Absolute Maximum Ratings⁽¹⁾⁽²⁾⁽³⁾

Storage Temperature Range, PDIP package	-65°C to +150°C
Lead Temperature, PDIP package (soldering, 10 sec.)	265°C
Maximum Power Dissipation ⁽³⁾ at 25°C	
PDIP Package	1.84W
Supply Voltage	7V
Input Voltage, A or B Inputs	±25V
Differential Input Voltage	±25V
Enable Input Voltage	7V
Low Level Output Current	50 mA

- (1) "Absolute Maximum Ratings" are those values beyond which the safety of the device cannot be ensured. They are not meant to imply that the devices should be operated at these limits. The tables of "Electrical Characteristics" provide conditions for actual device operation.
- (2) If Military/Aerospace specified devices are required, please contact Texas Instruments for availability and specifications.
- (3) Derate PDIP package 15 mW/°C above 25°C.

Recommended Operating Conditions

	Min	Typ	Max	Units
Supply Voltage (V_{CC})	4.75	5	5.25	V
Common Mode Input Voltage (V_{CM})	-7		+12	V
Differential Input Voltage (V_{ID})	-7		+12	V
Output Current High (I_{OH})			-400	μA
Output Current LOW (I_{OL})			16	mA
Operating Temperature (T_A)	0	25	70	°C

Electrical Characteristics⁽¹⁾⁽²⁾

over recommended temperature, common mode input voltage, and supply voltage ranges, unless otherwise specified

Parameter	Test Conditions	Min	Typ	Max	Units
V_{TH}	Differential Input High Threshold Voltage	$V_O = 2.7V, I_O = -0.4\text{ mA}$		0.2	V
V_{TL}	Differential Input ⁽³⁾ Low Threshold Voltage	$V_O = 0.5V, I_O = 16\text{ mA}$		-0.2	V
$V_{T+} - V_{T-}$	Hysteresis ⁽⁴⁾	$V_{CM} = 0V$		50	mV
V_{IH}	Enable Input Voltage HIGH			2.0	V
V_{IL}	Enable Input Voltage LOW			0.8	V
V_{IC}	Enable Input Clamp Voltage	$I_I = -18\text{ mA}$		-1.5	V
V_{OH}	Output Voltage HIGH	$V_{ID} = 200\text{ mV}, I_{OH} = -400\text{ }\mu\text{A}$		2.7	V
V_{OL}	Output Voltage LOW	$V_{ID} = -200\text{ mV}$	$I_{OL} = 8\text{ mA}$	0.45	V
			$I_{OL} = 16\text{ mA}$	0.50	
I_{OZ}	High Impedance State Output	$V_O = 0.4V\text{ to }2.4V$		± 20	μA
I_I	Line Input Current ⁽⁵⁾	Other Input = 0V	$V_I = 12V$	1.0	mA
			$V_I = -7V$	-0.8	
I_{IH}	Enable Input Current HIGH	$V_{IH} = 2.7V$		20	μA
I_{IL}	Enable Input Current LOW	$V_{IL} = 0.4V$		-100	μA
R_I	Input Resistance			12	k Ω
I_{OS}	Short Circuit Output Current	See ⁽⁶⁾		-15	mA
I_{CC}	Supply Current	Outputs Disabled		75	mA

- (1) Unless otherwise specified Min/Max limits apply across the 0°C to +70°C range for the DS96173/DS96175. All typicals are given for $V_{CC} = 5V$ and $T_A = 25^\circ\text{C}$.
- (2) All currents into the device pins are positive; all currents out of the device pins are negative. All voltages are reference to ground unless otherwise specified.
- (3) The algebraic convention, when the less positive (more negative) limit is designated minimum, is used in this data sheet for common mode input voltage and threshold voltage levels only.
- (4) Hysteresis is the difference between the positive-going input threshold voltage, V_{T+} , and the negative going input threshold voltage, V_{T-} .
- (5) Refer to EIA Standards RS-485 for exact conditions.
- (6) Only one output at a time should be shorted.

Switching Characteristics

$V_{CC} = 5V, T_A = 25^\circ\text{C}$

Parameter	Test Conditions	Min	Typ	Max	Units	
t_{PLH}	Propagation Delay Time, Low to High Level Output	$V_{ID} = -2.5V\text{ to }2.5V, C_L = 15\text{ pF}$, Figure 1		15	25	ns
t_{PHL}	Propagation Delay Time, High to Low Level Output			15	25	ns
t_{PZH}	Output Enable Time to High Level	$C_L = 15\text{ pF}$, Figure 2		15	22	ns
t_{PZL}	Output Enable Time to Low Level	$C_L = 15\text{ pF}$, Figure 3		15	22	ns
t_{PHZ}	Output Disable Time from High Level	$C_L = 5\text{ pF}$, Figure 2		14	30	ns
t_{PLZ}	Output Disable Time from Low Level	$C_L = 5\text{ pF}$, Figure 3		24	40	ns

Function Tables⁽¹⁾

(Each Receiver) DS96173

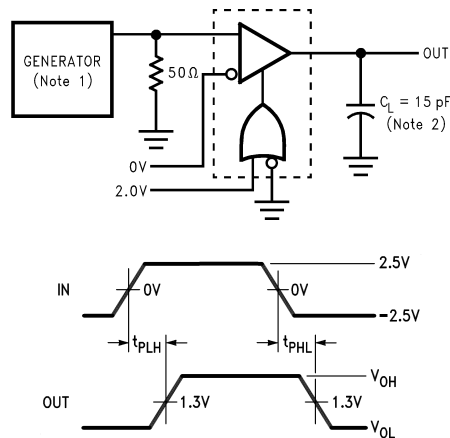
Differential Inputs	Enables		Outputs
A–B	E	\bar{E}	V
$V_{ID} > 0.2V$	H	X	H
	X	L	H
$V_{ID} < -0.2V$	H	X	L
	X	L	L
X	L	X	Z
X	X	H	Z

- (1) H = High Level
- L = Low Level
- X = Immaterial
- Z = High Impedance (off)

(Each Receiver) DS96175

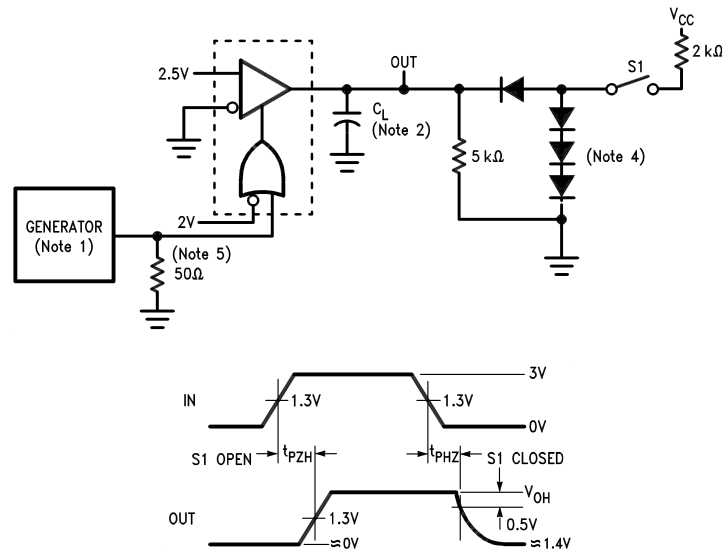
Differential Inputs	Enable	Output
A–B		Y
$V_{ID} \geq 0.2V$	H	H
$V_{ID} \leq -0.2V$	H	L
X	L	Z

Parameter Measurement Information



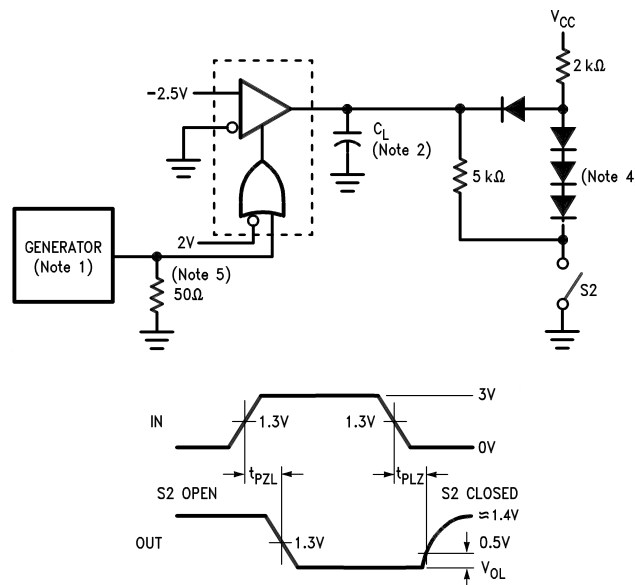
- (1) DS96173 with active high and active low Enables is shown here. DS96175 has active high Enable only.
- (2) C_L includes probe and stray capacitance.

Figure 1. t_{PLH} , t_{PHL}



- (1) DS96173 with active high and active low Enables is shown here. DS96175 has active high Enable only.
- (2) All diodes are 1N916 or equivalent.
- (3) To test the active low Enable \bar{E} of DS96173, ground E and apply an inverted input waveform to \bar{E} . DS96175 has active high Enable only.

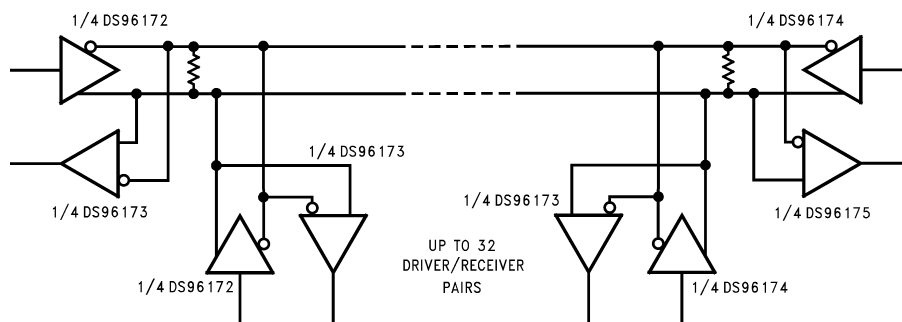
Figure 2. t_{PHZ} , t_{PZH}



- (1) DS96173 with active high and active low Enables is shown here. DS96175 has active high Enable only.
- (2) All diodes are 1N916 or equivalent.
- (3) To test the active low Enable \bar{E} of DS96173, ground E and apply an inverted input waveform to \bar{E} . DS96175 has active high Enable only.

Figure 3. t_{PZL} , t_{PLZ}

TYPICAL APPLICATION



NOTE

The line length should be terminated at both ends in its characteristic impedance. Stub lengths off the main line should be kept as short as possible

PACKAGING INFORMATION

Orderable Device	Status (1)	Package Type	Package Drawing	Pins	Package Qty	Eco Plan (2)	Lead/Ball Finish	MSL Peak Temp (3)	Op Temp (°C)	Top-Side Markings (4)	Samples
DS96175CN	ACTIVE	PDIP	NFG	16	25	TBD	SNPB	Level-1-NA-UNLIM	0 to 70	DS96175CN	Samples
DS96175CN/NOPB	ACTIVE	PDIP	NFG	16	25	Green (RoHS & no Sb/Br)	Call TI	Level-1-NA-UNLIM	0 to 70	DS96175CN	Samples

(1) The marketing status values are defined as follows:

ACTIVE: Product device recommended for new designs.

LIFEBUY: TI has announced that the device will be discontinued, and a lifetime-buy period is in effect.

NRND: Not recommended for new designs. Device is in production to support existing customers, but TI does not recommend using this part in a new design.

PREVIEW: Device has been announced but is not in production. Samples may or may not be available.

OBSOLETE: TI has discontinued the production of the device.

(2) Eco Plan - The planned eco-friendly classification: Pb-Free (RoHS), Pb-Free (RoHS Exempt), or Green (RoHS & no Sb/Br) - please check <http://www.ti.com/productcontent> for the latest availability information and additional product content details.

TBD: The Pb-Free/Green conversion plan has not been defined.

Pb-Free (RoHS): TI's terms "Lead-Free" or "Pb-Free" mean semiconductor products that are compatible with the current RoHS requirements for all 6 substances, including the requirement that lead not exceed 0.1% by weight in homogeneous materials. Where designed to be soldered at high temperatures, TI Pb-Free products are suitable for use in specified lead-free processes.

Pb-Free (RoHS Exempt): This component has a RoHS exemption for either 1) lead-based flip-chip solder bumps used between the die and package, or 2) lead-based die adhesive used between the die and leadframe. The component is otherwise considered Pb-Free (RoHS compatible) as defined above.

Green (RoHS & no Sb/Br): TI defines "Green" to mean Pb-Free (RoHS compatible), and free of Bromine (Br) and Antimony (Sb) based flame retardants (Br or Sb do not exceed 0.1% by weight in homogeneous material)

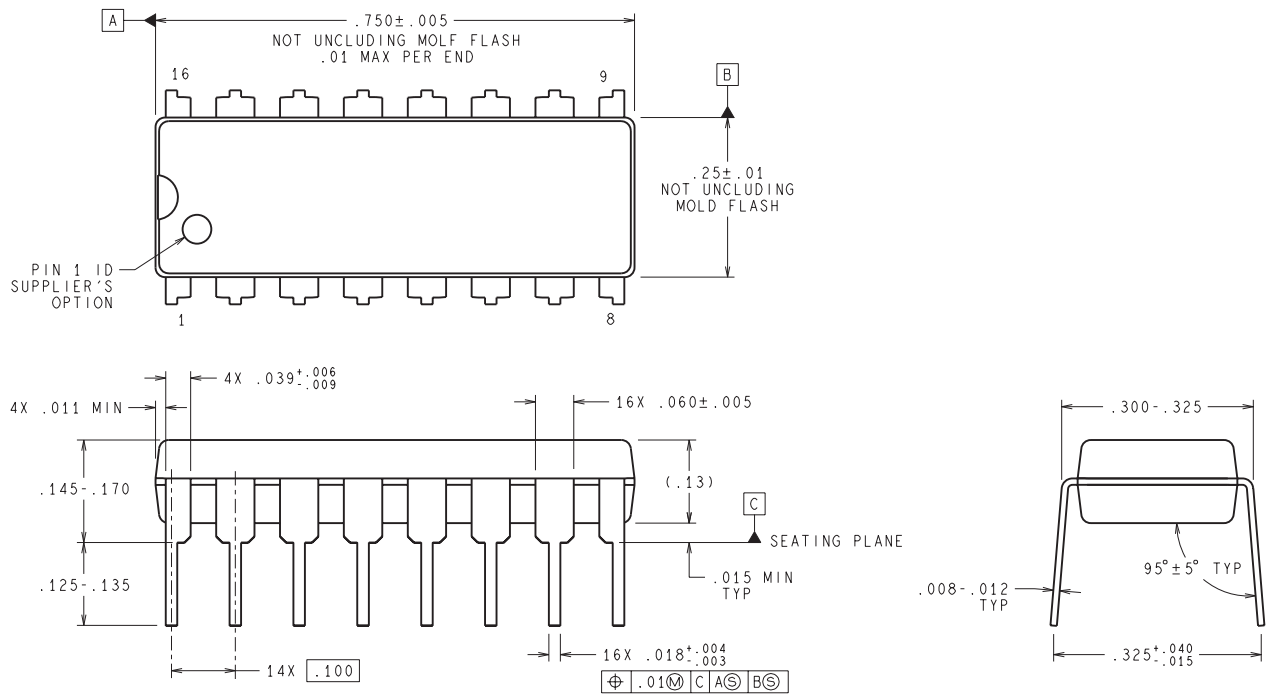
(3) MSL, Peak Temp. -- The Moisture Sensitivity Level rating according to the JEDEC industry standard classifications, and peak solder temperature.

(4) Only one of markings shown within the brackets will appear on the physical device.

Important Information and Disclaimer: The information provided on this page represents TI's knowledge and belief as of the date that it is provided. TI bases its knowledge and belief on information provided by third parties, and makes no representation or warranty as to the accuracy of such information. Efforts are underway to better integrate information from third parties. TI has taken and continues to take reasonable steps to provide representative and accurate information but may not have conducted destructive testing or chemical analysis on incoming materials and chemicals. TI and TI suppliers consider certain information to be proprietary, and thus CAS numbers and other limited information may not be available for release.

In no event shall TI's liability arising out of such information exceed the total purchase price of the TI part(s) at issue in this document sold by TI to Customer on an annual basis.

NFG0016E



DIMENSIONS ARE IN INCHES
DIMENSIONS IN () FOR REFERENCE ONLY

N16E (Rev G)

IMPORTANT NOTICE

Texas Instruments Incorporated and its subsidiaries (TI) reserve the right to make corrections, enhancements, improvements and other changes to its semiconductor products and services per JESD46, latest issue, and to discontinue any product or service per JESD48, latest issue. Buyers should obtain the latest relevant information before placing orders and should verify that such information is current and complete. All semiconductor products (also referred to herein as "components") are sold subject to TI's terms and conditions of sale supplied at the time of order acknowledgment.

TI warrants performance of its components to the specifications applicable at the time of sale, in accordance with the warranty in TI's terms and conditions of sale of semiconductor products. Testing and other quality control techniques are used to the extent TI deems necessary to support this warranty. Except where mandated by applicable law, testing of all parameters of each component is not necessarily performed.

TI assumes no liability for applications assistance or the design of Buyers' products. Buyers are responsible for their products and applications using TI components. To minimize the risks associated with Buyers' products and applications, Buyers should provide adequate design and operating safeguards.

TI does not warrant or represent that any license, either express or implied, is granted under any patent right, copyright, mask work right, or other intellectual property right relating to any combination, machine, or process in which TI components or services are used. Information published by TI regarding third-party products or services does not constitute a license to use such products or services or a warranty or endorsement thereof. Use of such information may require a license from a third party under the patents or other intellectual property of the third party, or a license from TI under the patents or other intellectual property of TI.

Reproduction of significant portions of TI information in TI data books or data sheets is permissible only if reproduction is without alteration and is accompanied by all associated warranties, conditions, limitations, and notices. TI is not responsible or liable for such altered documentation. Information of third parties may be subject to additional restrictions.

Resale of TI components or services with statements different from or beyond the parameters stated by TI for that component or service voids all express and any implied warranties for the associated TI component or service and is an unfair and deceptive business practice. TI is not responsible or liable for any such statements.

Buyer acknowledges and agrees that it is solely responsible for compliance with all legal, regulatory and safety-related requirements concerning its products, and any use of TI components in its applications, notwithstanding any applications-related information or support that may be provided by TI. Buyer represents and agrees that it has all the necessary expertise to create and implement safeguards which anticipate dangerous consequences of failures, monitor failures and their consequences, lessen the likelihood of failures that might cause harm and take appropriate remedial actions. Buyer will fully indemnify TI and its representatives against any damages arising out of the use of any TI components in safety-critical applications.

In some cases, TI components may be promoted specifically to facilitate safety-related applications. With such components, TI's goal is to help enable customers to design and create their own end-product solutions that meet applicable functional safety standards and requirements. Nonetheless, such components are subject to these terms.

No TI components are authorized for use in FDA Class III (or similar life-critical medical equipment) unless authorized officers of the parties have executed a special agreement specifically governing such use.

Only those TI components which TI has specifically designated as military grade or "enhanced plastic" are designed and intended for use in military/aerospace applications or environments. Buyer acknowledges and agrees that any military or aerospace use of TI components which have **not** been so designated is solely at the Buyer's risk, and that Buyer is solely responsible for compliance with all legal and regulatory requirements in connection with such use.

TI has specifically designated certain components as meeting ISO/TS16949 requirements, mainly for automotive use. In any case of use of non-designated products, TI will not be responsible for any failure to meet ISO/TS16949.

Products

Audio	www.ti.com/audio
Amplifiers	amplifier.ti.com
Data Converters	dataconverter.ti.com
DLP® Products	www.dlp.com
DSP	dsp.ti.com
Clocks and Timers	www.ti.com/clocks
Interface	interface.ti.com
Logic	logic.ti.com
Power Mgmt	power.ti.com
Microcontrollers	microcontroller.ti.com
RFID	www.ti-rfid.com
OMAP Applications Processors	www.ti.com/omap
Wireless Connectivity	www.ti.com/wirelessconnectivity

Applications

Automotive and Transportation	www.ti.com/automotive
Communications and Telecom	www.ti.com/communications
Computers and Peripherals	www.ti.com/computers
Consumer Electronics	www.ti.com/consumer-apps
Energy and Lighting	www.ti.com/energy
Industrial	www.ti.com/industrial
Medical	www.ti.com/medical
Security	www.ti.com/security
Space, Avionics and Defense	www.ti.com/space-avionics-defense
Video and Imaging	www.ti.com/video

TI E2E Community

e2e.ti.com