



Patent pending on package assembly

Features

- 8.5A Current Boost (Boosts PT4486 up to 17A)
- Tracks V_{out} of PT4486
- Synchronized Operation
- High Efficiency
- Input Voltage: 36V to 75V
- 26-pin Copper Case Package

Description

The PT4497 is a high-performance 100W/8.5A “Current Booster” for use with the PT4486 DC/DC converter. The PT4497 adds a parallel output stage to the PT4486, allowing both to operate in perfect synchronization.

The PT4497 only operates with a PT4486 and is not a stand-alone product. Refer the PT4486 data sheet for the performance specifications. The PT4497 is housed in the same 26-pin case and has the same package options as the PT4486.

PT Series Suffix (PT1234X)

| Case/Pin Configuration | |
|--------------------------|----------|
| Vertical Through-Hole | N |
| Horizontal Through-Hole | A |
| Horizontal Surface Mount | C |

Ordering Information

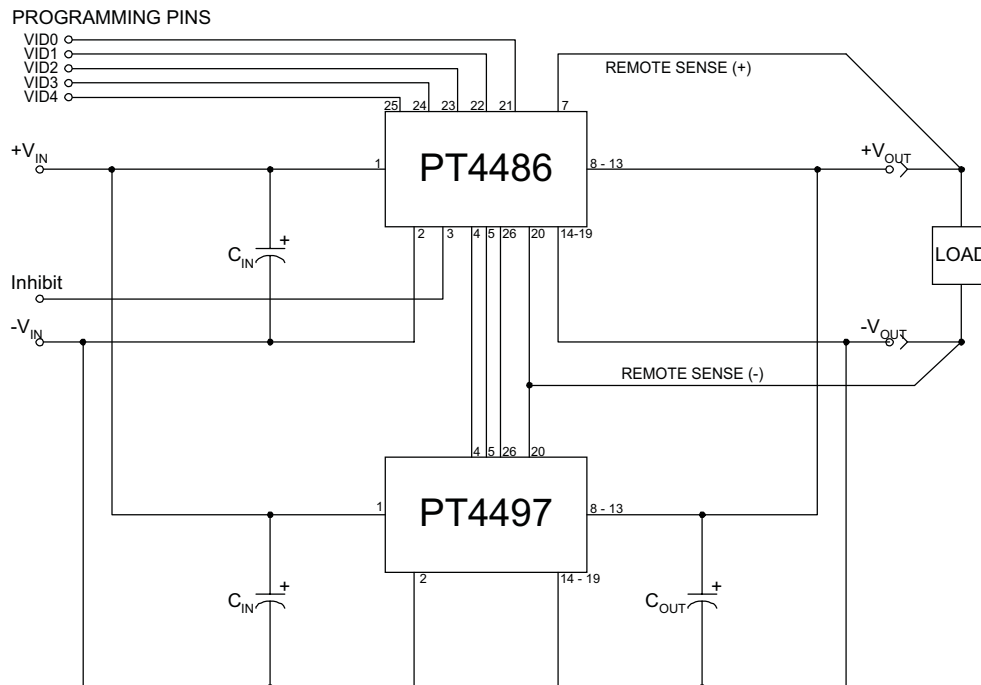
PT4497 □

(For dimensions and PC Board layout, see Package Styles 1200, 1210 and 1215.)

Pin-Out Information

| Pin | Function | Pin | Function | Pin | Function |
|-----|------------|-----|------------|-----|--------------|
| 1 | $+V_{in}$ | 10 | $+V_{out}$ | 19 | $-V_{out}$ |
| 2 | $-V_{in}$ | 11 | $+V_{out}$ | 20 | $-V_{sense}$ |
| 3 | N/C | 12 | $+V_{out}$ | 21 | N/C |
| 4 | V_r | 13 | $+V_{out}$ | 22 | N/C |
| 5 | V_a | 14 | $-V_{out}$ | 23 | N/C |
| 6 | N/C | 15 | $-V_{out}$ | 24 | N/C |
| 7 | N/C | 16 | $-V_{out}$ | 25 | N/C |
| 8 | $+V_{out}$ | 17 | $-V_{out}$ | 26 | DRV |
| 9 | $+V_{out}$ | 18 | $-V_{out}$ | | |

Standard Application



Input Capacitors: Although not necessary for stable operation, C_{in} will reduce input ripple. $C_{in} = 33\mu F$ is suggested.

Output Capacitors: A minimum of $33\mu F$ per PT4497 booster module is required for proper operation. Increasing C_{out} will reduce transients due to large and/or fast load steps.

IMPORTANT NOTICE

Texas Instruments and its subsidiaries (TI) reserve the right to make changes to their products or to discontinue any product or service without notice, and advise customers to obtain the latest version of relevant information to verify, before placing orders, that information being relied on is current and complete. All products are sold subject to the terms and conditions of sale supplied at the time of order acknowledgment, including those pertaining to warranty, patent infringement, and limitation of liability.

TI warrants performance of its products to the specifications applicable at the time of sale in accordance with TI's standard warranty. Testing and other quality control techniques are utilized to the extent TI deems necessary to support this warranty. Specific testing of all parameters of each device is not necessarily performed, except those mandated by government requirements.

Customers are responsible for their applications using TI components.

In order to minimize risks associated with the customer's applications, adequate design and operating safeguards must be provided by the customer to minimize inherent or procedural hazards.

TI assumes no liability for applications assistance or customer product design. TI does not warrant or represent that any license, either express or implied, is granted under any patent right, copyright, mask work right, or other intellectual property right of TI covering or relating to any combination, machine, or process in which such products or services might be or are used. TI's publication of information regarding any third party's products or services does not constitute TI's approval, license, warranty or endorsement thereof.

Reproduction of information in TI data books or data sheets is permissible only if reproduction is without alteration and is accompanied by all associated warranties, conditions, limitations and notices. Representation or reproduction of this information with alteration voids all warranties provided for an associated TI product or service, is an unfair and deceptive business practice, and TI is not responsible nor liable for any such use.

Resale of TI's products or services with statements different from or beyond the parameters stated by TI for that product or service voids all express and any implied warranties for the associated TI product or service, is an unfair and deceptive business practice, and TI is not responsible nor liable for any such use.

Also see: [Standard Terms and Conditions of Sale for Semiconductor Products](http://www.ti.com/sc/docs/stdterms.htm), www.ti.com/sc/docs/stdterms.htm

Mailing Address:

Texas Instruments
Post Office Box 655303
Dallas, Texas 75265