



Features

- 3.3 V Input
- 20 A Output Current
- DSP Compatible
- Low-Profile (8 mm)
- >90 % Efficiency
- Output Margin Control ($\pm 5\%$)
- Adjustable Output Voltage
- Pre-Bias Startup Capability
- On/Off Inhibit Function
- Over-Current Protection
- Thermal Shutdown
- Small Footprint (0.736 in², Suffix 'N')
- Surface Mount Compatible
- IPC Lead Free 2

Description

The PT5810 Excalibur™ series of integrated switching regulators (ISRs) combines outstanding power density with a comprehensive list of features. They are an ideal choice for applications where board space is a premium and performance cannot be compromised. These modules provide a full 20 A of output current, yet are housed in a low-profile, 18-pin, package that is almost half the size of the previous product generation. The integral copper case construction requires no heatsink, and offers the advantages of solderability and a small footprint (0.736 in² for suffix 'N'). Both through-hole and surface mount pin configurations are available.

The PT5810 series operates from a 3.3-V input bus to provide a convenient point-of-load power source for the industry's latest high-performance DSPs and microprocessors. The series includes output voltage options as low as 1.0 VDC.

Other features include external output voltage adjustment, a $\pm 5\%$ margin control, on/off inhibit, short circuit protection, thermal shutdown, and a differential remote sense.

Ordering Information

PT5812□	= 2.5 Volts
PT5813□	= 1.8 Volts
PT5814□	= 1.5 Volts
PT5815□	= 1.2 Volts
PT5816□	= 1.0 Volts

PT Series Suffix (PT1234 x)

Case/Pin Configuration	Order Suffix	Package Code
Vertical	N	(EPP)
Horizontal	A	(EPQ)
SMD	C	(EPS)

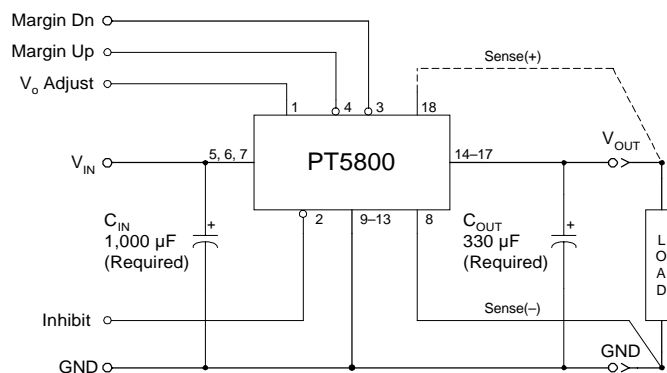
(Reference the applicable package code drawing for the dimensions and PC board layout)

Pin-Out Information

Pin	Function
1	V _o Adjust
2	Inhibit*
3	Margin Dn*
4	Margin Up*
5	V _{in}
6	V _{in}
7	V _{in}
8	Sense(-)
9	GND
10	GND
11	GND
12	GND
13	GND
14	V _{out}
15	V _{out}
16	V _{out}
17	V _{out}
18	Sense(+)

* Denotes negative logic:
Open = Normal operation
Ground = Function active

Standard Application



C_{in} = Required 1,000 µF
C_{out} = Required 330 µF

Specifications

(Unless otherwise stated, $T_a = 25^\circ\text{C}$, $V_{in} = 3.3\text{ V}$, $V_{out} = 1.8\text{ V}$, $C_{in} = 1,000\ \mu\text{F}$, $C_{out} = 330\ \mu\text{F}$, and $I_o = I_{o,max}$)

Characteristics	Symbols	Conditions	PT5810 SERIES			Units	
			Min	Typ	Max		
Output Current	I_o		0	—	20	A	
Input Voltage Range	V_{in}	Over I_o range	2.95 (1)	—	3.65	V	
Set-Point Voltage Tolerance	$V_o\text{tol}$		—	—	± 2	$\%V_o$	
Temperature Variation	ΔReg_{temp}	$-40^\circ\text{C} < T_a < +85^\circ\text{C}$	—	± 0.5	—	$\%V_o$	
Line Regulation	ΔReg_{line}	Over V_{in} range	—	± 4	—	mV	
Load Regulation	ΔReg_{load}	Over I_o range	—	± 2	—	mV	
Total Output Variation	ΔReg_{tot}	Includes set-point, line, load, $-40^\circ\text{C} \leq T_a \leq +85^\circ\text{C}$	—	—	± 3	$\%V_o$	
Efficiency	η	$I_o = 12\text{ A}$	PT5812 (2.5 V)	—	93	—	%
			PT5813 (1.8 V)	—	90	—	
			PT5814 (1.5 V)	—	89	—	
			PT5815 (1.2 V)	—	87	—	
			PT5816 (1.0 V)	—	84	—	
V_o Ripple (pk-pk)	V_r	20 MHz bandwidth	—	20	—	mVpp	
Transient Response		1 A/ μs load step, 50 to 100 % $I_{o,max}$,					
	t_{tr} ΔV_{tr}	Recovery Time V_o over/undershoot	— —	50 120	— —	μSec mV	
Over-Current Threshold	I_{TRIP}	Reset, followed by auto-recovery	—	30	—	A	
Output Voltage Adjust	$V_o\text{adj}$	With V_o Adjust With Margin Up/Dn	— —	± 15 (2) ± 5	— —	%	
Switching Frequency	f_s	Over V_{in} and I_o ranges	250	300	350	kHz	
Inhibit Control (pin 2)		Referenced to GND (pins 9–13)					
Input High Voltage	V_{IH}		$V_{in} - 0.5$	—	Open (3)	V	
Input Low Voltage	V_{IL}		-0.2	—	0.6		
Input Low Current	I_{IL}	Pin 2 to GND	—	-0.2	—	mA	
Standby Input Current	$I_{in\text{ standby}}$	Pin 2 to GND	—	5	—	mA	
External Input Capacitance	C_{in}		1,000 (4)	—	—	μF	
External Output Capacitance	C_{out}		330 (5)	—	5,000	μF	
Operating Temperature Range	T_a	Over V_{in} range	-40 (5)	—	+85 (6)	$^\circ\text{C}$	
Over-Temperature Protection	OTP	Measured at center of case, auto-reset	—	110	—	$^\circ\text{C}$	
Solder Reflow Temperature	T_{reflow}	Surface temperature of module pins or case	—	—	215 (7)	$^\circ\text{C}$	
Storage Temperature	T_s	—	-40	—	+125	$^\circ\text{C}$	
Reliability	MTBF	Per Bellcore TR-332 50% stress, $T_a = 40^\circ\text{C}$, ground benign	5.8	—	—	10^6 Hrs	
Mechanical Shock		Mil-STD-883D, Method 2002.3 Half Sine, mounted to a fixture	—	500	—	G's	
Mechanical Vibration		Mil-STD-883D, Method 2007.2, 20–2000 Hz, PCB mounted	—	20 (8)	—	G's	
Weight	—	—	—	20	—	grams	
Flammability	—	Materials meet UL 94V-0	—	—	—	—	

- Notes:**
- (1) The minimum input voltage is equal to 2.95 V or $V_{out} + 0.75\text{ V}$, whichever is greater.
 - (2) This is a typical value. For the adjustment limits of a specific model consult the related application note on output voltage adjustment.
 - (3) The Inhibit control (pin 2) has an internal pull-up to V_{in} , and if left open-circuit the module will operate when input power is applied. A small low-leakage (<100nA) MOSFET is recommended to control this input. See application notes for more information.
 - (4) A 1,000 μF electrolytic input capacitor is required for proper operation. This capacitor must be rated for a minimum of 0.7 Arms of ripple current.
 - (5) For operation below 0°C , C_{OUT} must have stable characteristics. Use either low-ESR tantalum or Oscon® type capacitors.
 - (6) See SOA curves or consult factory for the appropriate derating.
 - (7) During solder reflow of SMD package version do not elevate the module case, pins, or internal component temperatures above a peak of 215°C . For further guidance refer to the application note, "Reflow Soldering Requirements for Plug-in Power Surface Mount Products," (SLTA051)
 - (8) The case pins on the through-hole package types (suffixes N & A) must be soldered. For more information see the applicable package outline drawing.

Pin Descriptions

V_{in}: The positive supply voltage input for the module with respect to the common ground (*GND*).

V_{out}: This is the regulated output voltage from the module with respect to the common ground (*GND*).

GND: The common node to which the input, output, and external control signals are referenced.

Sense(-): Provides the regulator with the ability to sense the set-point voltage directly across the load. For optimum output voltage accuracy this pin should always be connected to *GND*, even for applications that demand a relatively light load.

Sense(+): When used with *Sense(-)*, the regulation circuitry will compensate for voltage drop between the converter and the load. The pin may be left open circuit, but connecting it to *V_{out}* will optimize load regulation.

Inhibit*: This is an open-collector (open-drain) negative logic input that is referenced to *GND*. Pulling this pin to *GND* disables the module's output voltage. If *Inhibit** is left open-circuit, the output will be active whenever a valid input source is applied.

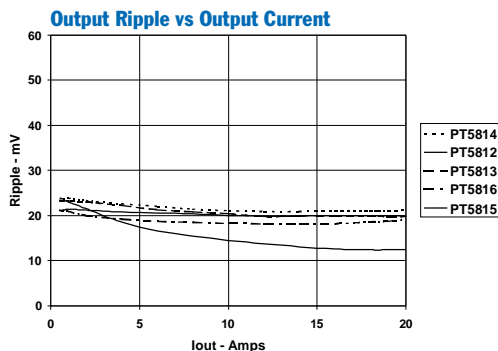
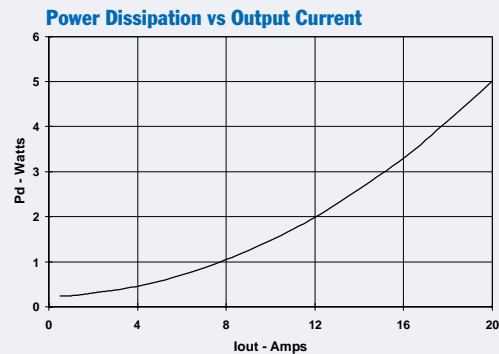
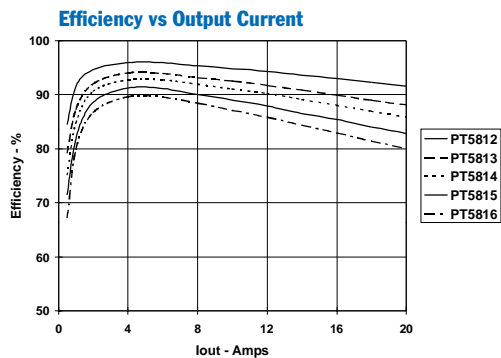
V_{o Adjust}: This pin is used to trim the output voltage to a value within the range of $\pm 10\%$ of nominal. The adjustment method uses an external resistor. The resistor is connected from *V_{o Adjust}* to either the (-)*Sense* or (+)*Sense*, in order to adjust the output up or down, respectively.

Margin Dn*: When this open-collector (open-drain) input is asserted to *GND*, the output voltage is automatically decreased by 5% from the nominal. This feature is used in applications where the load circuit must be tested for operation at the extreme values of its supply voltage tolerance.

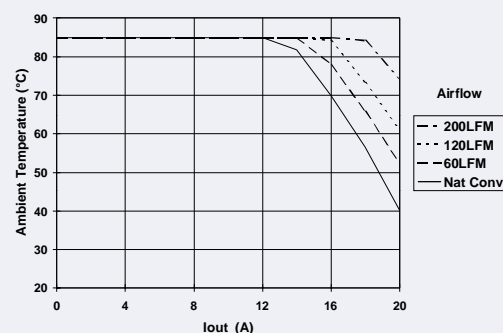
Margin Up*: This is an open-collector (open-drain) input. When this is asserted to *GND*, the output voltage is automatically increased by 5% from the nominal.

Typical Characteristics

Performance Data; V_{in} = 3.3 V (See Note A)



Safe Operating Curves; V_{in} = 3.3 V (See Note B)



Note A: Characteristic data has been developed from actual products tested at 25 °C. This data is considered typical data for the ISR.

Note B: SOA curves represent operating conditions at which internal components are at or below manufacturer's maximum rated operating temperatures.

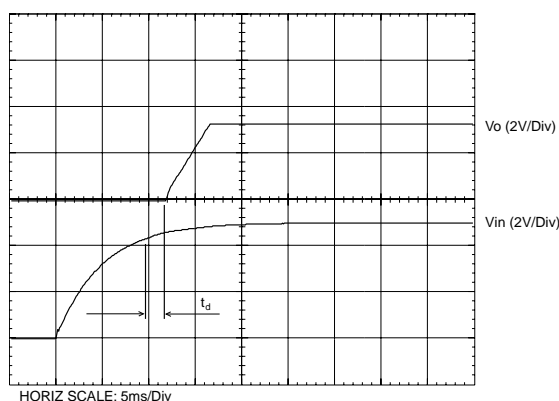
Operating Features and System Considerations for the PT5800 & PT5810 Regulator Series

The PT5800 (5-V input) and the PT5810 (3.3-V input) series of integrated switching regulators (ISRs) provide step-down voltage conversion for output loads of up to 20 A.

Power up & Soft-Start Timing

Following either the application of a valid input source voltage, or the removal of a ground signal to the *Inhibit** control pin (with input power applied), the regulator will initiate a soft-start power up. The soft start slows the rate at which the output voltage rises, and also introduces a short time delay, t_d (approx. 2 ms). Figure 1-1 shows the power-up characteristic of a PT5801 (3.3 V) with a 10-A load.

Figure 1-1



Differential Remote Sense

Connecting the *Sense(+)* and *Sense(-)* pins to the load circuit allows the regulator to compensate for limited amounts of 'IR' voltage drop. This voltage drop is caused by current flowing through the connection resistance between the regulator and the 'point of regulation' some distance away. Leaving the sense pins disconnected will not damage the regulator or load circuitry. An internal 15 Ω resistor, connected between each sense pin and its corresponding output node, keeps the output voltage in regulation. However, it is important to connect *Sense(-)* to *GND* locally, as this provides a return path for the regulator's internal bias currents.

With the sense leads connected, the difference between the voltage measured at V_{out} and *GND* pins, and that measured from *Sense(+)* to *Sense(-)*, is the amount of IR drop being compensated by the regulator. This should be limited to 0.6 V. (0.3 V maximum between pins 17 & 18, and also between pins 8 & 9).

Note: The remote sense feature is not designed to compensate for the forward drop of non-linear or frequency dependent components that may be placed in series with the converter output. Examples include OR-ing diodes, filter inductors, ferrite beads, and fuses. When these components are enclosed by the remote sense connections they are effectively placed inside the regulation control loop, which can adversely affect the stability of the regulator.

Over-Current Protection

To protect against load faults, the regulators incorporate output over-current protection. Applying a load that exceeds the regulator's over-current threshold (see data sheet specifications) will cause the regulated output to shut down. Following shutdown the ISR will periodically attempt to recover by initiating a soft-start power-up. This is often described as a "hiccup" mode of operation, whereby the module continues in the cycle of successive shutdown and power up until the load fault is removed. During this period, the average current flowing into the fault is significantly reduced. Once the fault is removed, the converter automatically recovers and returns to normal operation.

Over-Temperature Protection

An on-board temperature sensor protects the module's internal circuitry against excessively high temperatures. A rise in the internal temperature may be the result of a drop in airflow, or a high ambient temperature. If the internal temperature exceeds the OTP threshold (see data sheet specifications), the regulator's *Inhibit** control is automatically pulled low. This disables the regulator, allowing the output voltage to drop to zero as the external output capacitors are discharged by the load circuit. The recovery is automatic, and begins with a soft-start power up. It occurs when the the sensed temperature decreases by about 10 $^{\circ}\text{C}$ below the trip point.

Note: The over-temperature protection is a last resort mechanism to prevent thermal stress to the regulator. Operation at or close to the thermal shutdown temperature is not recommended and will reduce the long-term reliability of the module. Always operate the regulator within the specified Safe Operating Area (SOA) limits for the worst-case conditions of ambient temperature and airflow.

Startup of the PT5800 & PT5810 Series ISRs with Back-Feeding Source (Pre-Bias Capability)

In complex digital systems an external voltage can sometimes be present at the output of the regulator during power up. For example, this voltage may be backfed through a dual-supply logic component such as an FPGA or ASIC. Another path might be via a clamp diode (to a lower supply voltage) as part of a power-up sequencing implementation.

Although the PT5800 (5-V input) and PT5810 (3.3-V input) series of regulators will sink current under steady-state operating conditions, they will not do so during startup¹ as long as certain conditions are maintained². This feature allows these regulators to start up while an external voltage is simultaneously applied to the output. Figure 2-1 is an application schematic that demonstrates this capability. The waveforms in Figure 2-2 show the behavior of the circuit as input power is applied. Note that the plot of the regulator output current (I_o) is approximately zero up to the timestamp 'A', even though a voltage is initially backfed to the output via the 3.3-V input supply and diodes D_1 & D_2 . The regulator sources current³ when it begins raising the output above the back-fed voltage to its nominal regulation value.

Notes

1. Startup includes both the application of a valid input source voltage, or the removal of a ground signal from the *Inhibit** control (pin 2) with a valid input source applied. The output of the regulator is effectively off (tri-state), during the period that the *Inhibit** control is held low.

2. To ensure that the regulator does not sink current, the input voltage must always be greater or equal to the output voltage throughout the power-up and power-down sequence.
3. If an external source backfeeding the regulator's output is greater than the nominal regulation voltage, the output will begin sinking current at the end of its soft-start power-up sequence. If this current exceeds the rated output, the module could be overstressed.

Figure 2-2; Power-up Waveforms with Back-Feeding Source

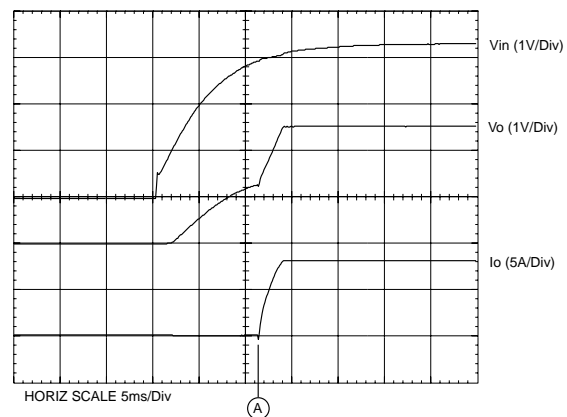
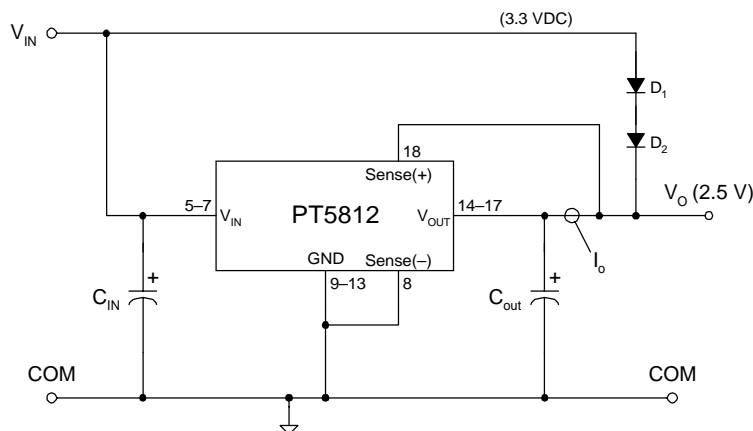


Figure 2-1; Schematic Demonstrating Startup into Pre-Bias Capability



Capacitor Recommendations for the PT5800 & PT5810 Step-Down Regulator Series

Input Capacitor:

The recommended input capacitance is determined by a 700-mA ripple current rating and the following minimum capacitance requirements.

- PT5800 = 820 μ F minimum capacitance
- PT5810 = 1000 μ F minimum capacitance

Ripple current and <100 m Ω equivalent series resistance (ESR) values are the major considerations, along with temperature, when designing with different types of capacitors. Tantalum capacitors have a recommended minimum voltage rating of twice the maximum DC voltage + AC ripple. This is necessary to ensure reliability for input voltage bus applications

Output Capacitors

The ESR of the capacitors is less than 100m Ω . Electrolytic capacitors have marginal ripple performance at frequencies greater than 400 kHz, but excellent low frequency transient response. Above the ripple frequency ceramic capacitors are necessary. Ceramic capacitors improve the transient response and reduce any high frequency noise components apparent during high current excursions. Preferred low-ESR electrolytic capacitor part numbers are identified in Table 3-1.

Tantalum Capacitors (Optional Output Capacitors)

Tantalum type capacitors can be used for the output but only the AVX TPS series, Sprague 593D/594/595 series, or Kemet T495/T510 series. These capacitors are recommended over many other tantalum types due to their higher rated surge, power dissipation, and ripple current capability. As a caution the TAJ series by AVX is not recommended. This series has considerably higher ESR, reduced power dissipation, and lower ripple current capability. The TAJ series is less reliable than the AVX TPS series when determining power dissipation capability. Tantalum or Oscon® types are recommended for applications where ambient temperatures fall below 0°C.

Capacitor Table

Table 2-1 identifies the characteristics of capacitors from a number of vendors with acceptable ESR and ripple current (rms) ratings. The number of capacitors required at both the input and output buses is identified for each capacitor type.

This is not an extensive capacitor list. Capacitors from other vendors are available with comparable specifications. Those listed are for guidance. The RMS ripple current rating and ESR (Equivalent Series Resistance) at 100 kHz are critical parameters necessary to insure both optimum regulator performance and long capacitor life.

Table 3-1; Input/Output Capacitors

Capacitor Vendor/Series	Capacitor Characteristics					Quantity		Vendor Part Number
	Working Voltage	Value (μ F)	(ESR) Equivalent Series Resistance	Ripple Current I(rms)max @105°C	Physical Size (mm)	Input Bus	Output Bus	
Panasonic FC (Radial) FK (SMT)	10V	1000	0.068 Ω	1050mA	10 \times 16	1	1	EEUFC1C102 EEUFC1A561
	10V	560	0.090 Ω	755mA	10 \times 12.5	2	1	
	10V 35V	1000 470	0.080 Ω 0.060 Ω	850mA 1100mA	10 \times 10.2 12.5 \times 13.5	1 2	1 1	EUVFK1A102P EUVFK1V471Q
United Chemi-con LXZ/LXV Series FX Series	16V	470	0.090 Ω	760mA	10 \times 12.5	2	1	LXZ16VB471M10X12LL LXZ10VB102M10X16LL 10FX680M
	10V	1000	0.068 Ω	1050mA	10 \times 16	1	1	
	10V	680	0.015 Ω	4735mA	10 \times 10.5	2	1	
Nichicon PL/PM Series NX Series (SMT)	10V	1000	0.065 Ω	1040mA	12.5 \times 15	1	1	UPM1A102MHH6 UPM1C 561MHH6 PNX1A330MCR1GS
	16V	560	0.080 Ω	920mA	12.5 \times 15	2	1	
	10V	330	0.024 Ω	3770mA	10 \times 8	3	1	
Sanyo Os-con: SP SVP (SMT)	10V	470	0.015 Ω	>4500mA	10 \times 10.5	2	1	10SP470M 10SVP560M
	10V	560	0.013 Ω	>5200mA	11 \times 12.7	2	1	
AVX Tantalum TPS (SMT)	10V	470	0.045 Ω	1723mA	7.3L	2	1	TPSE477M010R0045 TPSV477M010R0060
	10V	470	0.060 Ω	1826mA	\times 5.7W \times 4.1H	2	1	
Kemet Polymer Tantalum T520/T530Series (SMT)	10V	330	0.040 Ω	1800mA	7.3 \times 4.3 \times 4	3	1	T520X337M010AS T530X337M010AS
	10V	330	0.015 Ω	>3800mA		3	1	
Sprague Tantalum 594D Series (SMT)	10V	680	0.090 Ω	1660mA	7.2 \times 6 \times 4.1	2	1	595D687X0010R2T

Using the Inhibit Control of the PT5800 & PT5810 Series of Step-Down ISRs

For applications requiring output voltage On/Off control, the PT5800 & PT5810 series of ISRs incorporate an inhibit function. This function can be used wherever there is a requirement for the output voltage from the ISR to be turned off. The On/Off function is provided by the *Inhibit** control (pin 2).

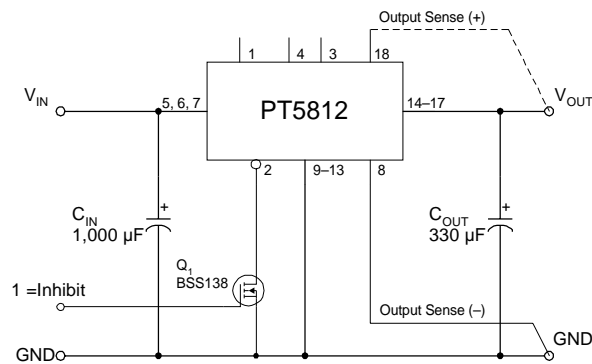
The ISR functions normally with pin 2 open-circuit, providing a regulated output whenever a valid source voltage is applied between V_{in} (pins 5–7) and GND (pins 9–13). When a low-level ground signal is applied to pin 2, the regulator output is turned off ².

Figure 4-1 shows the typical application of the *Inhibit** function. Note the discrete transistor (Q_1). The *Inhibit** control has its own internal pull-up to $+V_{in}$ potential. An open-collector or open-drain device is recommended to control this input ¹. The voltage thresholds are given in Table 4-1.

Table 4-1; Inhibit Control Requirements

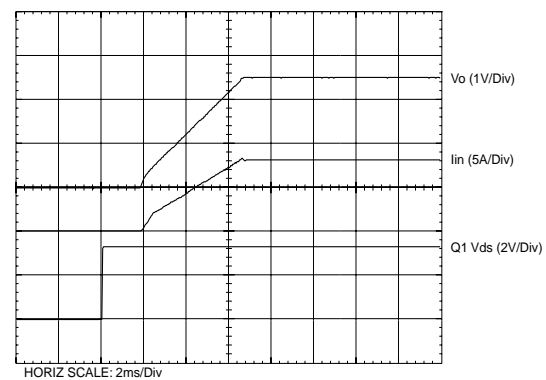
Parameter	Min	Typ	Max
Enable (V_{IH})	$V_{in} - 0.5$ V	—	Open
Disable (V_{IL})	-0.2 V	—	+0.6 V
I_{IL}	—	-0.2 mA	—

Figure 4-1



Turn-On Time: In the circuit of Figure 4-1, turning Q_1 on applies a low-voltage to the *Inhibit** control (pin 2) and disables the output of the regulator ². If Q_1 is then turned off, the ISR executes a soft-start power up. Power up consists of a short delay (approx. 2msec), followed by a period in which the output voltage rises to its full regulation voltage. The module produces a regulated output voltage within 10msec. Figure 4-2 shows the typical rise in both the output voltage and input current for a PT5812 (2.5 V), following the turn-off of Q_1 . The turn off of Q_1 corresponds to the rise in the waveform, Q_1 V_{ds} . The waveforms were measured with a 3.3 VDC input voltage, and 10-A load.

Figure 4-2



Notes:

1. Use an open-collector device with a breakdown voltage of at least 10 V (preferably a discrete transistor) for the *Inhibit** input. A pull-up resistor is not necessary. To disable the output voltage the control pin should be pulled low to less than +0.8 VDC.
2. When a ground signal is applied to the *Inhibit** control (pin 2) the module output is turned off (tri-state). The output voltage decays to zero as the load impedance discharges the output capacitors.

Adjusting the Output Voltage of the PT5800 & PT5810 Step-Down Series of Regulators

Using Margin Up/ Margin Down

The *Margin Up** (pin 4) and *Margin Dn** (pin 3) control inputs allow the output voltage to be easily adjusted by up to $\pm 5\%$ of the nominal set-point voltage. To activate, simply connect the appropriate control input to the *Sense(-)* (pin 8), or the local starpoint ground. Either a logic level MOSFET or a p-channel JFET is recommended for this purpose. For further information see the related application note on this feature.

Using the 'V_o Adjust' Control

For a more permanent and precise adjustment, use the *V_o Adjust* control (pin 1). The *V_o Adjust* control allows adjustment in any increment by up to $\pm 10\%$ of the set-point. The adjustment method requires the addition of a single external resistor. Table 5-1 gives the allowable adjustment range for each model of the series as *V_a* (min) and *V_a* (max). The value of the external resistor can either be calculated using the formulas given below, or simply selected from the range of values provided in Table 5-2. Refer to Figure 5-1 for the placement of the required resistor. Use the resistor *R₁* to adjust up, and the resistor (*R₂*) to adjust down.

Adjust Up: An increase in the output voltage is obtained by adding a resistor *R₁*, between *V_o Adjust* (pin 1) and *Sense(-)* (pin 8). See Figure 5-1.

Adjust Down: Add a resistor (*R₂*), between *V_o Adjust* (pin 1) and *Sense(+)* (pin 18). See Figure 5-1.

Notes:

1. Use a 1% (or better) tolerance resistor in either the *R₁* or (*R₂*) location. Place the resistor as close to the ISR as possible.
2. Never connect capacitors from *V_o Adjust* to either *GND* or *V_{out}*. Any capacitance added to the *V_o Adjust* pin will affect the stability of the ISR.
3. If the remote sense feature is not being used, the adjust resistor (*R₂*) can be connected to *V_{out}*, (pins 14-17) instead of *Sense (+)*.

4. The PT5812 may not be adjusted higher than the nominal output voltage of 2.5 V. There is insufficient input voltage between *V_{in}* and *V_{out}* to accommodate an increase in the output voltage.

V_o Adjust Resistor Calculations

The values of *R₁* [adjust up] and (*R₂*) [adjust down] can also be calculated using the following formulas. Again, use Figure 5-1 for the placement of the required resistor; either *R₁* or (*R₂*) as appropriate.

$$R_1 = \frac{V_r \cdot R_o}{V_a - V_o} \quad - 24.9 \quad \text{k}\Omega$$

$$(R_2) = \frac{R_o (V_a - V_r)}{V_o - V_a} \quad - 24.9 \quad \text{k}\Omega$$

Where: *V_o* = Original output voltage
V_a = Adjusted output voltage
V_r = The reference voltage in Table 5-1
R_o = The resistance constant in Table 5-1

Figure 5-1; V_o Adjust Resistor Placement

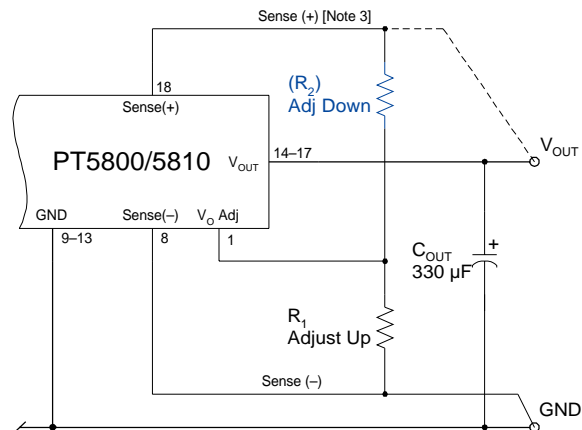


Table 5-1

ISR OUTPUT VOLTAGE ADJUSTMENT RANGE AND FORMULA PARAMETERS

Series Pt. No.	PT5801	PT5802	PT5803	PT5804	PT5805	PT5806
5.0V Bus						
3.3V Bus	N/A	PT5812 ⁴	PT5813	PT5814	PT5815	PT5816
V_o (nom)	3.3 V	2.5 V	1.8 V	1.5 V	1.2 V	1.0 V
V_a (min)	2.6 V	2.0 V	1.52 V	1.31 V	1.1 V	0.94 V
V_a (max)	3.63 V	2.8 V #	2.1 V	1.82 V	1.52 V	1.32 V
V_r	0.8 V	0.8 V	0.8 V	0.8 V	0.8 V	0.8 V
R_o (kΩ)	10.2	10.7	10.2	9.76	10.0	10.2

The PT5812 should not be adjusted higher than its nominal output voltage of 2.5 V. See note 4.

PT5800 & PT5810 Series

Table 5-2

ISR ADJUSTMENT RESISTOR VALUES

Series Pt. No.						
5.0V Bus	PT5801	PT5802	PT5803	PT5804	PT5805	PT5806
3.3V Bus	N/A	PT5812	PT5813	PT5814	PT5815	PT5816
V _o (nom)	3.3 V	2.5 V	1.8 V	1.5 V	1.2 V	1.0V
V _a (req.d)			V _a (req.d)			
3.60	2.3 kΩ		2.100	2.3 kΩ		
3.55	7.7 kΩ		2.050	7.7 kΩ		
3.50	15.9 kΩ		2.000	15.9 kΩ		
3.45	29.5 kΩ		1.950	29.5 kΩ		
3.40	56.7 kΩ		1.900	56.7 kΩ		
3.35	138.0 kΩ		1.850	138.0 kΩ		
3.30			1.800		1.1 kΩ	
3.25	(475.0) kΩ		1.750	(169.0) kΩ	6.3 kΩ	
3.20	(220.0) kΩ		1.700	(66.9) kΩ	14.1 kΩ	
3.15	(135.0) kΩ		1.650	(32.9) kΩ	27.2 kΩ	
3.10	(92.4) kΩ		1.600	(15.9) kΩ	53.2 kΩ	
3.05	(66.9) kΩ		1.550	(5.7) kΩ	131.0 kΩ	
3.00	(49.9) kΩ		1.500		1.8 kΩ	
2.95	(37.5) kΩ		1.475	(239.0) kΩ	4.2 kΩ	
2.90	(28.6) kΩ		1.450	(102.0) kΩ	7.1 kΩ	
2.85	(21.6) kΩ		1.425	(56.4) kΩ	10.7 kΩ	
2.80	(15.9) kΩ	3.6 kΩ	1.400	(33.7) kΩ	15.1 kΩ	
2.75	(11.3) kΩ	9.3 kΩ	1.375	(20.0) kΩ	20.8 kΩ	
2.70	(7.4) kΩ	17.9 kΩ	1.350	(10.9) kΩ	28.4 kΩ	
2.65	(4.1) kΩ	32.2 kΩ	1.325	(4.4) kΩ	39.1 kΩ	
2.60	(1.3) kΩ	60.7 kΩ	1.300		55.1 kΩ	2.3 kΩ
2.550	[Note 4]	146.0 kΩ	1.275		81.8 kΩ	4.8 kΩ
2.500			1.250		135.0 kΩ	7.7 kΩ
2.450		(321.0) kΩ	1.225		295.0 kΩ	11.4 kΩ
2.400		(146.0) kΩ	1.200			15.9 kΩ
2.350		(85.7) kΩ	1.175		(125.0) kΩ	21.7 kΩ
2.300		(55.3) kΩ	1.150		(45.1) kΩ	29.5 kΩ
2.250		(37.2) kΩ	1.125		(18.4) kΩ	40.4 kΩ
2.200		(25.0) kΩ	1.100		(5.1) kΩ	56.7 kΩ
2.150		(16.4) kΩ	1.075			83.9 kΩ
2.100		(9.9) kΩ	1.050			138.0 kΩ
2.050		(4.8) kΩ	1.025			302.0 kΩ
2.000		(0.8) kΩ	1.000			
			0.975			(46.5) kΩ
			0.950			(5.7) kΩ

R₁ = Black R₂ = (Blue)

Using the Margin Up/Down Controls on the PT5800 & PT5810 Regulator Series

The PT5800 & PT5810 series of integrated switching regulator modules incorporate *Margin Up** (pin 4) and *Margin Dn** (pin 3) control inputs. These controls allow the output voltage set point to be momentarily adjusted 1, either up or down, by a nominal 5%. This provides a convenient method for dynamically testing the load circuit's power supply voltage over its operating margin or range. Note that the $\pm 5\%$ change is also applied to any adjustment of the output voltage, if made, using the V_o *Adjust* (pin 1).

The 5% adjustment is made by driving the appropriate margin control input directly to the ground reference at *Sense(-)* (pin 8)². An low-leakage open-drain device, such as a MOSFET or a p-channel JFET is recommended for this purpose. Adjustments of less than 5% can also be accommodated by adding series resistors to the control inputs (See Figure 6-1). The value of the resistor can be selected from Table 6-1, or calculated using the following formula.

Resistor Value Calculation

To reduce the margin adjustment to something less than 5%, series padding resistors are required (See R_D and R_U in Figure 6-1). For the same amount of adjustment, the resistor value calculated for R_U and R_D will be the same. The formula is as follows.

$$R_U/R_D = \frac{499}{\Delta\%} - 99.8 \quad \text{k}\Omega$$

Where $\Delta\%$ = The desired amount of margin adjust in percent.

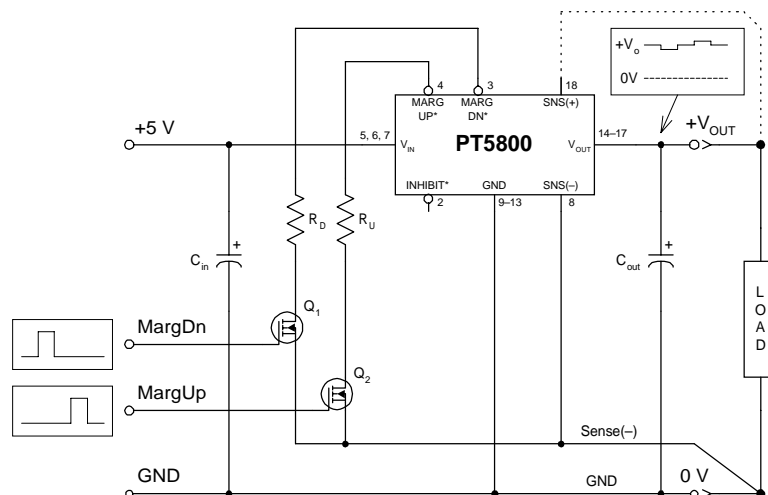
Notes:

1. The *Margin Up** and *Margin Dn** controls were not intended to be activated simultaneously. If they are their affects on the output voltage may not completely cancel, resulting in a slight shift in the output voltage set point.
2. When possible use the *Sense(-)* (pin 8) as the ground reference. This will produce a more accurate adjustment of the output voltage at the load circuit terminals. *GND* (pins 9-13) can be used if the *Sense(-)* pin is connected to *GND* near the regulator.

Table 6-1; Margin Up/Down Resistor Values

PADDING RESISTOR VALUES	
% Adjust	R_U / R_D
5	0.0 k Ω
4	24.9 k Ω
3	66.5 k Ω
2	150.0 k Ω
1	397.0 k Ω

Figure 6-1; Margin Up/Down Application Schematic



PACKAGING INFORMATION

Orderable Device	Status ⁽¹⁾	Package Type	Package Drawing	Pins	Package Qty	Eco Plan ⁽²⁾	Lead/Ball Finish	MSL Peak Temp ⁽³⁾
PT5812A	ACTIVE	SIP MOD ULE	EPQ	18	15	TBD	Call TI	Level-1-215C-UNLIM
PT5813A	ACTIVE	SIP MOD ULE	EPQ	18	15	TBD	Call TI	Level-1-215C-UNLIM
PT5813C	ACTIVE	SIP MOD ULE	EPS	18	15	TBD	Call TI	Level-3-215C-168HRS
PT5814A	ACTIVE	SIP MOD ULE	EPQ	18	15	TBD	Call TI	Level-1-215C-UNLIM
PT5814C	ACTIVE	SIP MOD ULE	EPS	18	15	TBD	Call TI	Level-3-215C-168HRS
PT5814N	ACTIVE	SIP MOD ULE	EPP	18	15	TBD	Call TI	Level-1-215C-UNLIM
PT5815C	ACTIVE	SIP MOD ULE	EPS	18	15	TBD	Call TI	Level-3-215C-168HRS

⁽¹⁾ The marketing status values are defined as follows:

ACTIVE: Product device recommended for new designs.

LIFEBUY: TI has announced that the device will be discontinued, and a lifetime-buy period is in effect.

NRND: Not recommended for new designs. Device is in production to support existing customers, but TI does not recommend using this part in a new design.

PREVIEW: Device has been announced but is not in production. Samples may or may not be available.

OBSELETE: TI has discontinued the production of the device.

⁽²⁾ Eco Plan - The planned eco-friendly classification: Pb-Free (RoHS), Pb-Free (RoHS Exempt), or Green (RoHS & no Sb/Br) - please check <http://www.ti.com/productcontent> for the latest availability information and additional product content details.

TBD: The Pb-Free/Green conversion plan has not been defined.

Pb-Free (RoHS): TI's terms "Lead-Free" or "Pb-Free" mean semiconductor products that are compatible with the current RoHS requirements for all 6 substances, including the requirement that lead not exceed 0.1% by weight in homogeneous materials. Where designed to be soldered at high temperatures, TI Pb-Free products are suitable for use in specified lead-free processes.

Pb-Free (RoHS Exempt): This component has a RoHS exemption for either 1) lead-based flip-chip solder bumps used between the die and package, or 2) lead-based die adhesive used between the die and leadframe. The component is otherwise considered Pb-Free (RoHS compatible) as defined above.

Green (RoHS & no Sb/Br): TI defines "Green" to mean Pb-Free (RoHS compatible), and free of Bromine (Br) and Antimony (Sb) based flame retardants (Br or Sb do not exceed 0.1% by weight in homogeneous material)

⁽³⁾ MSL, Peak Temp. -- The Moisture Sensitivity Level rating according to the JEDEC industry standard classifications, and peak solder temperature.

Important Information and Disclaimer:The information provided on this page represents TI's knowledge and belief as of the date that it is provided. TI bases its knowledge and belief on information provided by third parties, and makes no representation or warranty as to the accuracy of such information. Efforts are underway to better integrate information from third parties. TI has taken and continues to take reasonable steps to provide representative and accurate information but may not have conducted destructive testing or chemical analysis on incoming materials and chemicals. TI and TI suppliers consider certain information to be proprietary, and thus CAS numbers and other limited information may not be available for release.

In no event shall TI's liability arising out of such information exceed the total purchase price of the TI part(s) at issue in this document sold by TI to Customer on an annual basis.

IMPORTANT NOTICE

Texas Instruments Incorporated and its subsidiaries (TI) reserve the right to make corrections, modifications, enhancements, improvements, and other changes to its products and services at any time and to discontinue any product or service without notice. Customers should obtain the latest relevant information before placing orders and should verify that such information is current and complete. All products are sold subject to TI's terms and conditions of sale supplied at the time of order acknowledgment.

TI warrants performance of its hardware products to the specifications applicable at the time of sale in accordance with TI's standard warranty. Testing and other quality control techniques are used to the extent TI deems necessary to support this warranty. Except where mandated by government requirements, testing of all parameters of each product is not necessarily performed.

TI assumes no liability for applications assistance or customer product design. Customers are responsible for their products and applications using TI components. To minimize the risks associated with customer products and applications, customers should provide adequate design and operating safeguards.

TI does not warrant or represent that any license, either express or implied, is granted under any TI patent right, copyright, mask work right, or other TI intellectual property right relating to any combination, machine, or process in which TI products or services are used. Information published by TI regarding third-party products or services does not constitute a license from TI to use such products or services or a warranty or endorsement thereof. Use of such information may require a license from a third party under the patents or other intellectual property of the third party, or a license from TI under the patents or other intellectual property of TI.

Reproduction of information in TI data books or data sheets is permissible only if reproduction is without alteration and is accompanied by all associated warranties, conditions, limitations, and notices. Reproduction of this information with alteration is an unfair and deceptive business practice. TI is not responsible or liable for such altered documentation.

Resale of TI products or services with statements different from or beyond the parameters stated by TI for that product or service voids all express and any implied warranties for the associated TI product or service and is an unfair and deceptive business practice. TI is not responsible or liable for any such statements.

Following are URLs where you can obtain information on other Texas Instruments products and application solutions:

Products		Applications	
Amplifiers	amplifier.ti.com	Audio	www.ti.com/audio
Data Converters	dataconverter.ti.com	Automotive	www.ti.com/automotive
DSP	dsp.ti.com	Broadband	www.ti.com/broadband
Interface	interface.ti.com	Digital Control	www.ti.com/digitalcontrol
Logic	logic.ti.com	Military	www.ti.com/military
Power Mgmt	power.ti.com	Optical Networking	www.ti.com/opticalnetwork
Microcontrollers	microcontroller.ti.com	Security	www.ti.com/security
Low Power Wireless	www.ti.com/lpw	Telephony	www.ti.com/telephony
		Video & Imaging	www.ti.com/video
		Wireless	www.ti.com/wireless

Mailing Address: Texas Instruments
Post Office Box 655303 Dallas, Texas 75265