



Features

- +3.3V/5V Input
- 13-A Output Current
- 5-Bit Programmable Output: 1.1V to 1.85V (25mV Steps)
- VRM 9.0 Compatible
- 86% Efficiency
- Standby On/Off Control
- Differential Remote Sense
- Over-Voltage Protection Drive
- Power Good Signal
- Short Circuit Protection
- Space Saving Solderable Case
- 4.7·10⁶ Hrs. MTBF

Description

The PT6703 is a fully integrated 13 A switching regulator housed in a space-saving solderable package. The PT6703 will operate from either a 3.3V or 5V input to provide a high-performance low-voltage output that is programmable over the range 1.1V to 1.85V. This output voltage range is specifically suited to high performance μ P and DSP applications that require core supply voltages below 1.3V. The voltage control inputs are also TTL compatible. Additional features include output short circuit protection, a "Power Good" output, and an over-voltage protection (OVP) drive.

Ordering Information

PT6703□ = 1.1 to 1.85 Volts
(For dimensions and PC board layout, see Package Styles 1300 & 1310.)

PT Series Suffix (PT1234X)

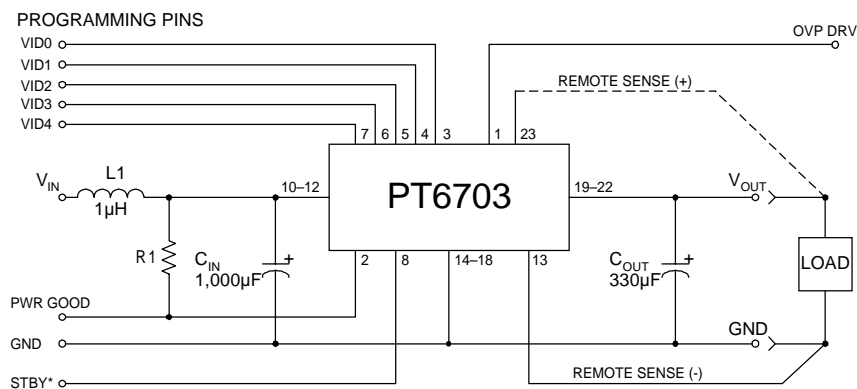
| Case/Pin Configuration | |
|--------------------------|----------|
| Vertical Through-Hole | N |
| Horizontal Through-Hole | A |
| Horizontal Surface Mount | C |

Pin-Out Information

| Pin Function | Pin Function |
|--------------------|----------------------------------|
| 1 OVP Drive | 13 Remote Sense Gnd (2) |
| 2 Pwr Good | 14 GND |
| 3 VID0 | 15 GND |
| 4 VID1 | 16 GND |
| 5 VID2 | 17 GND |
| 6 VID3 | 18 GND |
| 7 VID4 | 19 V _{out} |
| 8 STBY* | 20 V _{out} |
| 9 Do not connect | 21 V _{out} |
| 10 V _{in} | 22 V _{out} |
| 11 V _{in} | 23 Remote Sense V _{out} |
| 12 V _{in} | |

For STBY* pin: open = output enabled
ground = output disabled.

Standard Application



C_{in}/C_{out}: Required electrolytic capacitors –see footnotes.
L₁: Optional 1 μ H input choke –see footnotes
R₁: 10-k Ω pull-up for Pwr Good signal.
Pwr Good is high when the output is within specification.

Programming Information

| VID3 | VID2 | VID1 | VID0 | VID4=1 Vout | VID4=0 Vout |
|------|------|------|------|----------------|----------------|
| 1 | 1 | 1 | 1 | 0.000V | 1.475V |
| 1 | 1 | 1 | 0 | 1.100V | 1.500V |
| 1 | 1 | 0 | 1 | 1.125V | 1.525V |
| 1 | 1 | 0 | 0 | 1.150V | 1.550V |
| 1 | 0 | 1 | 1 | 1.175V | 1.575V |
| 1 | 0 | 1 | 0 | 1.200V | 1.600V |
| 1 | 0 | 0 | 1 | 1.225V | 1.625V |
| 1 | 0 | 0 | 0 | 1.250V | 1.650V |
| 0 | 1 | 1 | 1 | 1.275V | 1.675V |
| 0 | 1 | 1 | 0 | 1.300V | 1.700V |
| 0 | 1 | 0 | 1 | 1.325V | 1.725V |
| 0 | 1 | 0 | 0 | 1.350V | 1.750V |
| 0 | 0 | 1 | 1 | 1.375V | 1.775V |
| 0 | 0 | 1 | 0 | 1.400V | 1.800V |
| 0 | 0 | 0 | 1 | 1.425V | 1.825V |
| 0 | 0 | 0 | 0 | 1.450V | 1.850V |

Logic 0 = Pin 13 potential (remote sense gnd)
 Logic 1 = Open circuit (no pull-up resistors)
 VID4 may not be changed while the unit is operating.

PT6700 Product Family Comparison

| | Input Voltage | Adjust Method | Program Range | OVP/ Pwr Good | +12V Bias Required |
|-----------------|---------------|---------------|---------------|------------------|--------------------|
| PT6701 | 5V | 5-Bit | 1.3V–3.5V | ✓ | |
| PT6702 | 3.3V | 4-Bit | 1.3V–2.05V | ✓ | |
| PT6703 | 3.3V/5V | 5-Bit | 1.1V–1.85V | ✓ | |
| # PT6705 | 5V | Resistor | 1.5V–3.3V | | ✓ |
| # PT6715 | 5V | Resistor | 1.5V–3.3V | | |
| PT6721 | 12V | 5-Bit | 1.3V–3.5V | ✓ | |
| PT6722 | 12V | 5-Bit | 1.1V–1.85V | ✓ | |
| # PT6725 | 12V | Resistor | 1.5V–5.0V | | |

–Indicates a series of products that have a nominal output voltage set-point and may be adjusted with an external resistor.

Specifications (Unless otherwise stated, T_a =25°C, V_{in} =3.3V, C_{out} =330µF, and I_o =I_{o,max})

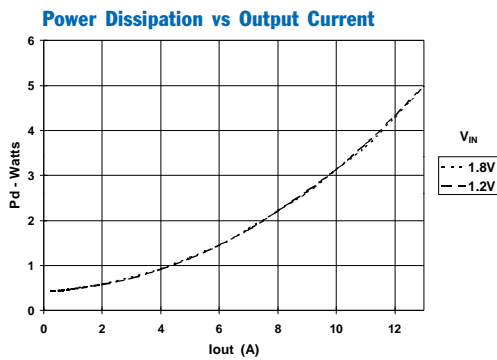
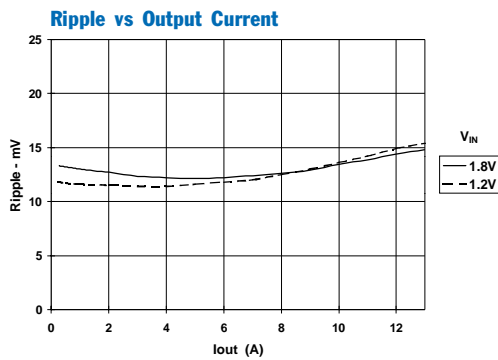
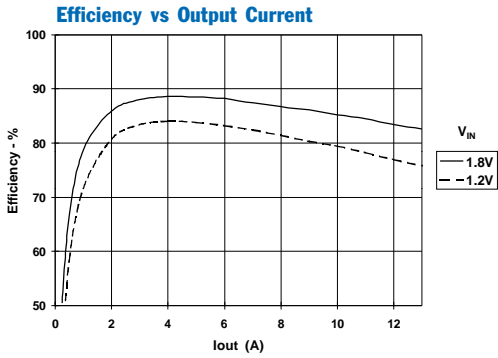
| Characteristic | Symbol | Conditions | PT6703 SERIES | | | Units |
|-------------------------------------|--------------------------|--|--|----------|----------|---------------------|
| | | | Min | Typ | Max | |
| Output Current | I _o | T _a =+60°C, 200LFM T _a =+25°C, natural convection | 0.1 (1) | — | 13.0 | A |
| Input Voltage Range | V _{in} | Over I _o Range | 3.1 | — | 5.5 | VDC |
| Set Point Voltage Tolerance | V _{o,tol} | | — | ±10 | ±20 (2) | mV |
| Temperature Variation | Reg _{temp} | –40° > T _a > +85°C | — | ±0.5 | — | %V _o |
| Line Regulation | Reg _{line} | Over V _{in} range | — | ±2.5 | ±5 | mV |
| Load Regulation | Reg _{load} | Over I _o range | — | ±2.5 | ±10 | mV |
| Total Output Voltage Variation | ΔV _{o,tot} | Includes set-point, line, load, –40° > T _a > +85°C | — | ±25 | — | mV |
| Efficiency | η | I _o =8A | V _o =1.8V V _o =1.2V | 86 81 | — | % |
| V _o Ripple (pk-pk) | V _r | 20MHz bandwidth | — | 25 | — | mV _{pp} |
| Transient Response | t _{tr} | 0.1A/µs load step, 6A to 12A | — | 50 | — | µs |
| | ΔV _{tr} | V _o over/undershoot | — | ±100 | — | mV |
| Short Circuit Current | I _{sc} | | — | 20 | — | A |
| Switching Frequency | f _o | Over V _{in} range | 300 | 350 | 400 | kHz |
| Standby Control (pin 8) | | | | | | |
| Input High Voltage | V _{IH} | Referenced to GND (pin 14) | — | — | Open (3) | V |
| Input Low Voltage | V _{IL} | | –0.2 | 0.4 | 1.0 | |
| Input Low Current | I _{IL} | Pin 8 to GND | — | 10 | — | µA |
| Standby Input Current | I _{in, standby} | pins 8 & 14 connected | — | 20 | 30 | mA |
| External Output Capacitance | C _{out} | | 330 (4) | — | 15,000 | µF |
| Maximum Operating Temperature Range | T _a | Over V _{in} range | –40 | — | +85 (5) | °C |
| Storage Temperature | T _s | | –40 | — | +125 | °C |
| Reliability | MTBF | Per Bellcore TR-332 50% stress, T _a =40°C, ground benign | 4.7 | — | — | 10 ⁶ Hrs |
| Mechanical Shock | — | Per Mil-Std-883D, method 2002.3, 1mS, half-sine, mounted to a fixture | — | 500 | — | G's |
| Mechanical Vibration | — | Per Mil-Std-883D, method 2007.2, 20–2000Hz, soldered in a PC board | — | 15 | — | G's |
| Weight | — | | — | 26 | — | grams |
| Flammability | — | Materials meet UL 94V-0 | | | | |

- Notes:** (1) ISR-will operate down to no load with reduced specifications.
 (2) If the remote sense ground is not used, pin 13 must be connected to pin 14 for optimal output voltage accuracy.
 (3) The Standby control (pin 8) has an internal pull-up, and if left open-circuit the module will operate when input power is applied. A small low-leakage (<100nA) MOSFET must be used to control this input. The open-circuit voltage is less than 10V. See application notes for further information.
 (4) For operation below 0°C, C_{in} and C_{out} must have stable characteristics. Use either low ESR tantalum or Oscon® capacitors.
 (5) See Safe Operating Area curves.

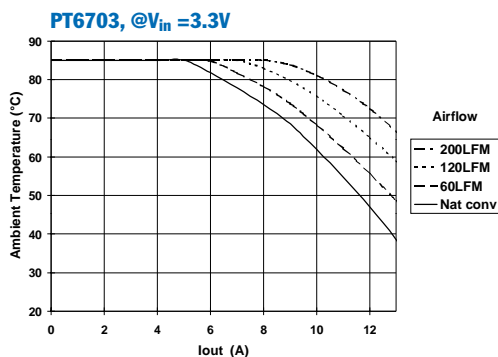
External Capacitors: The PT6703 requires a minimum output capacitance of 330µF, and a minimum input capacitance of 1,000µF for proper operation. The input capacitance must be rated for a minimum of 1.0Arms of ripple current. For transient or dynamic load applications, additional input and output capacitance may be required. The maximum allowable output capacitance is 15,000µF. For more information refer to the application note regarding capacitor selection for this product.

Input Inductor: An input filter inductor is optional for most applications. The inductor must be sized to handle 10.0ADC with a typical value of 1µH.

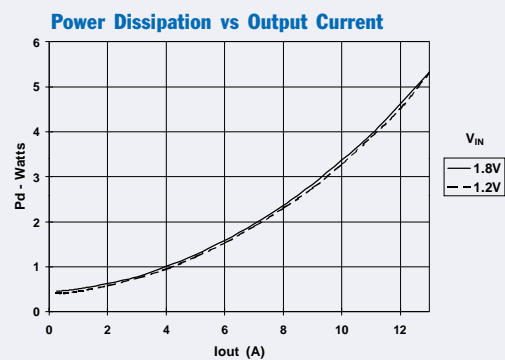
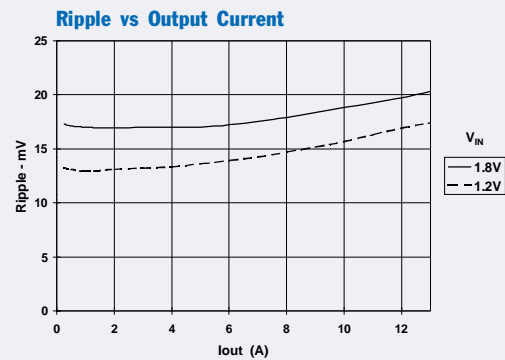
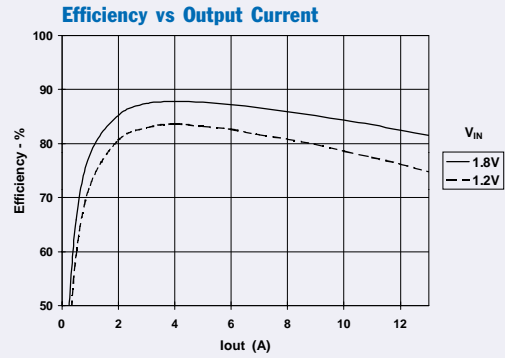
PT6703 Characterization, $V_{in} = 3.3V$ (See Note A)



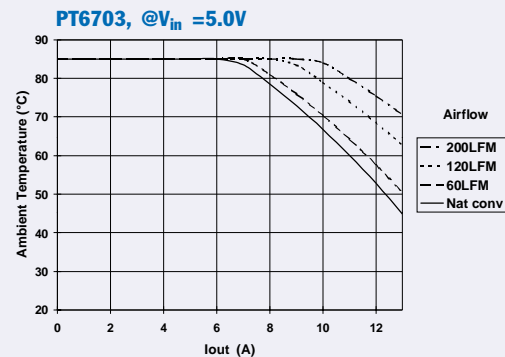
Safe Operating Area Curve (See Note B)



PT6703 Characterization, $V_{in} = 5V$ (See Note A)



Safe Operating Area Curve (See Note B)



Note A: Characteristic data has been developed from actual products tested at 25°C. This data is considered typical data for the Converter.

Note B: SOA curves represent the conditions at which internal components are at or below the manufacturer's maximum operating temperatures

Operating Features of the Programmable PT6700 “Excalibur™” Series ISRs

Power Good

Programmable versions of the PT6700 Series regulators incorporate a *PWR Good* output (pin 2). This output is open-drain and generates an active-high signal when the sensed output from the ISR is within a nominal $\pm 10\%$ of the programmed set point. When the regulated output is outside this range, pin 2 asserts a logic low (typically $< 0.1V$). A 10-k Ω pull-up resistor to a valid bus voltage is required. If the power good feature is not used, the pull-up resistor can be omitted. The maximum voltage that may be applied to the pull-up resistor is 15V.

Over-Voltage Protection (OVP)

The PT6700 programmable regulators also incorporate an OVP function. The *OVP DRV* (pin 1) normally has a logic low output (typically $< 0.1V$). When the ISR’s sensed output exceeds the programmed output setting by 15%, pin 1 produces a 60mA, +12V drive signal. This drive signal can trigger an SCR, which can be used to disable the input voltage (via a fuse), or alternatively interface to another external monitoring device. When the ISR output voltage returns to within 15% of its programmed setting, pin 1 reverts back to its low state. If the OVP function is not used, pin 1 may be left open circuit.

Stand-By Function

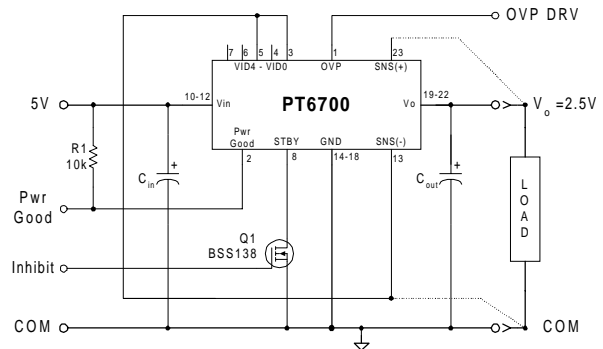
The PT6700 series ISRs incorporate a standby function. This feature may be used for power-up sequencing, or wherever there is a requirement for the output voltage to be controlled by external circuitry.

If the *STBY** input (pin 8) is left open-circuit the regulator operates normally, providing a regulated output when a valid supply voltage is applied to V_{in} (pins 10-12) with respect to GND (pins 14-18). Connecting pin 8 to ground places the regulator in standby mode 2, and reduces the input current to typically 20mA (30mA max). Applying a ground signal to pin 8 prior to power-up, will disable the output during the period that input power is applied. To ensure that the regulator output is properly enabled, pin 8 must be open circuit.

Table 1 Standby Control Requirements ²

| Parameter | Min | Typ | Max |
|------------|------------------------|------|------|
| Enable | Open Cct. ¹ | | |
| Disable | -0.1V | 0.4V | 1.0V |
| I_{stby} | 10 μ A | | |

Figure 1



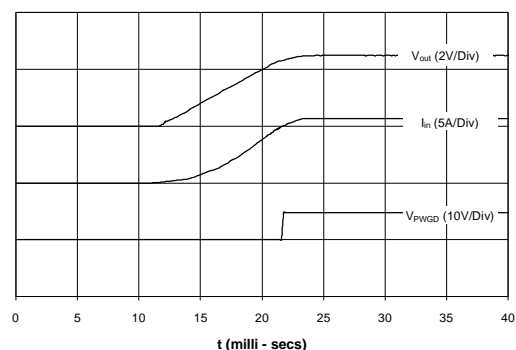
Notes:

1. The standby on a PT6700 series regulator must be controlled with an open-drain low-leakage ($< 100nA$) MOSFET (See fig. 1). Table 1 gives the threshold requirements. *Do Not* use a pull-up resistor. The control input has an open-circuit voltage of between 4Vdc and 5Vdc. To set the regulator output to zero, the control pin must be “pulled” to less than 1.0Vdc by sinking current to ground.
2. When placed in the standby mode, the regulator output may assert a low impedance to ground. If an external voltage is applied to the output, it will sink current and possibly over-stress the part.

Turn-On Time

Turning Q1 in Figure 1 off, removes the low-voltage signal at pin 8. After a 10-15ms delay the regulator output rises and reaches full output voltage within 30ms. Fig. 2 shows the typical waveforms of a PT6701 following the prompt turn-off of Q1 at time $t = 0$ secs. The output voltage was set to 2.5V, and the waveforms were measured with a 5V input source, and 10A resistive load.

Figure 2



Pin-Coded Output Voltage Adjustment on the Non-Isolated “Excalibur™” Series ISRs

The PT6701/6702/6703, and PT6721/6722 Excalibur™ ISRs incorporate a pin-coded control to program the output voltage. Depending on the resolution and adjustment range, there are up to five control pins. They are identified VID0–VID4 (pins 3–7) respectively. When the control pins are left open-circuit the ISR output will regulate at its factory trimmed output voltage. By selectively grounding VID0–VID4, the output voltage can be programmed in incremental steps over the specified output voltage range. The program code and output voltage range of these ISRs may also be compatible with the “Voltage ID” specification defined for popular microprocessors. Refer to Figure 1 below for the connection schematic, and the applicable Data Sheet for the program code.

Notes:

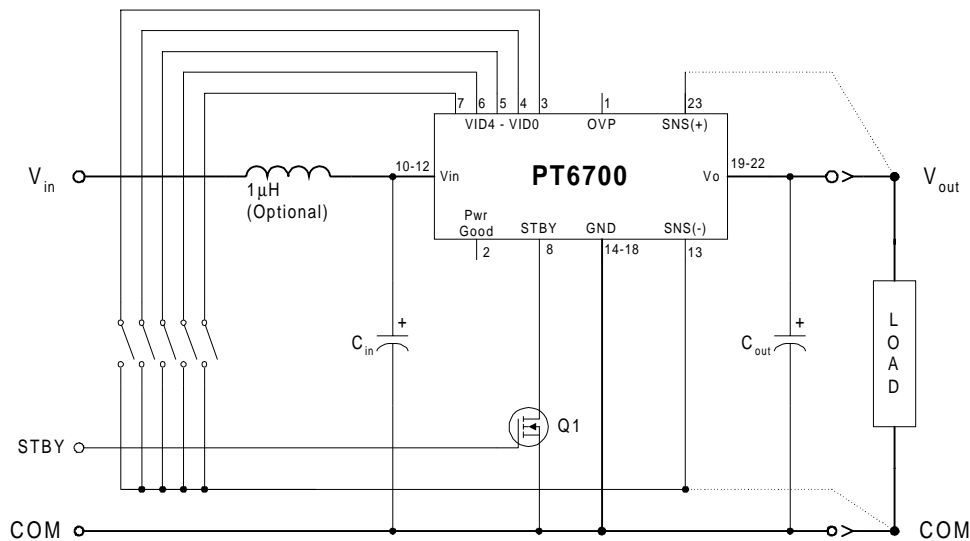
1. The programming convention is as follows:-
 Logic 0: Connect to pin13 (Remote Sense Ground).
 Logic 1: Open circuit/open drain (See notes 2, & 4)
2. Do not connect pull-up resistors to the voltage programming pins.
3. To minimize output voltage error, always use pin 13 (Remote Sense Ground) as the logic “0” reference. While the regular ground (pins 14-18) can also be used for programming, doing so will degrade the load regulation of the product.

4. If active devices are used to ground the voltage control pins, low-level open drain MOSFET devices should be used over bipolar transistors. The inherent $V_{ce(sat)}$ in bipolar devices introduces errors in the device’s internal voltage control circuit. Discrete transistors such as the BSS138, 2N7002, IRLML2402, or the 74C906 hex open-drain buffer are examples of appropriate devices.

Active Voltage Programming:

Special precautions should be taken when making changes to the voltage control program code while the unit is powered. It is highly recommended that the ISR be either powered down or held in standby. Changes made to the program code while V_{out} is enabled induces high current transients through the device. This is the result of the electrolytic output capacitors being either charged or discharged to the new output voltage set-point. The transient current can be minimized by making only incremental changes to the binary code, i.e. one LSB at a time. A minimum of 100 μ s settling time between each program state is also recommended. Making non-incremental changes to VID3 and VID4 with the output enabled is discouraged. If they are changed, the transients induced can overstress the device resulting in a permanent drop in efficiency. If the use of active devices prevents the program code being asserted prior to power-up, pull pin 8 (STBY) to the device GND during the period that the input voltage is applied to V_{in} . Releasing pin 8 will then allow the device output to initiate a soft-start power-up to the new program voltage.

Figure 1



Capacitor Recommendations for the Non-Isolated 13-A Excalibur™ Series of Regulators

Input Capacitors

The recommended input capacitance is determined by the 1.0 ampere minimum ripple current rating and 1000µF minimum capacitance. Capacitors listed below must be rated for a minimum of 2x the input voltage with +5V operation. Ripple current and ≤100mΩ Equivalent Series Resistance (ESR) values are the major considerations along with temperature when selecting the proper capacitor.

Output Capacitors

The minimum required output capacitance is 330µF with a maximum ESR less than or equal to 100mΩ. Failure to observe this requirement may lead to regulator instability or oscillation. Electrolytic capacitors have poor ripple performance at frequencies greater than 400kHz, but excellent low frequency transient response. Above the ripple frequency ceramic decoupling capacitors are necessary to improve the transient response and reduce any high frequency noise components apparent during higher current excursions. Preferred low ESR type capacitor part numbers are identified in Table 1 below.

Tantalum Characteristics

Tantalum capacitors with a minimum 10V rating are recommended on the output bus, but only the AVX TPS Series, Sprague 594/595 Series, or Kemet T495/T510 Series. The AVX TPS Series, Sprague Series or Kemet Series capacitors are specified over other types due to their higher surge current, excellent power dissipation and ripple current ratings. As a caution, the TAJ Series by AVX is not recommended. This series exhibits considerably higher ESR, reduced power dissipation and lower ripple current capability. The TAJ Series is a less reliable compared to the TPS series when determining power dissipation capability.

Capacitor Table

Table 1 identifies the characteristics of capacitors from a number of vendors with acceptable ESR and ripple current (rms) ratings. The suggested minimum quantities per regulator for both the input and output buses are identified.

This is not an extensive capacitor list. The table below is a suggested selection guide for input and output capacitors. Other capacitor vendors are available with comparable RMS ripple current rating and ESR (Equivalent Series Resistance at 100kHz). These critical parameters are necessary to insure both optimum regulator performance and long capacitor life.

Table 1 Capacitors Characteristic Data

| Capacitor Vendor Series | Capacitor Characteristics | | | | | Quantity | | Vendor Number |
|--|---------------------------|-----------|------------------------------------|--|----------------------------|-----------|------------|----------------------------------|
| | Working Voltage | Value(µF) | (ESR) Equivalent Series Resistance | 85°C Maximum Ripple Current(I _{rms}) | Physical Size(mm) | Input Bus | Output Bus | |
| Panasonic FC Surface Mtg FC Radial | 10V | 1000 | 0.065Ω | 1205mA | 12.5x16.5 | 1 | 1 | EEVFC1A102LQ |
| | 35V | 330 | 0.065Ω | 1205mA | 12.5x16.5 | | 1 | EEVFC1V331LQ |
| | 25V | 330 | 0.090Ω | 765mA | 10x12.5 | | 1 | EEUFA1E331 |
| United Chemi -Con LFZ Radial FX Surface Mtg | 10V | 1200 | 0.065Ω | 1205mA | 12.5x15 | 1 | 1 | EEUFC1A122S |
| | 25V | 330 | 0.090Ω | 760mA | 10x12.5 | | 1 | LXZ25VB331M10X12LL |
| | 10V | 1000 | 0.068Ω | 1050mA | 10x16 | 1 | 1 | LXZ35VB102M10X16LL |
| | 6.3V | 1000 | 0.013Ω | 4935mA | 10x10.5 | 1 | 1 | 6FX1000M(Vin 3.3V) |
| Nichicon PL Series PM Series | 10V | 680 | 0.015Ω/2=0.007Ω | >7000mA | 10X10.5 | 2 | 1 | 10FX680M(Os-con) |
| | 25V | 330 | 0.095Ω | 750mA | 10x15 | | 1 | UPL1E331MPH6 |
| | 10V | 1000 | 0.065Ω | 1040mA | 12.5x15 | 1 | 1 | UPL1A102MHH6 |
| Oscon SS SV | 25V | 330 | 0.095Ω | 750mA | 10x15 | | 1 | UPM1E331MPH6 |
| | 10V | 330 | 0.025Ω/3=0.008Ω | >7000mA | 10x10.5 | 3 | 1 | 10SS330M |
| AVX Tantalum TPS- Series | 10V | 330 | 0.020Ω/3=0.007Ω | >7000mA | 10.3x12.6 | 3 | 1 | 10SV330M(Surface Mtg) |
| | 10V | 330 | 0.100Ω/3=0.034Ω | >3500mA | 7.0L x 5.97W x 3.45H | 3 | 1 | TPSV337M010R0100 |
| Vishay/Sprague Tantalum 595D/594D | 10V | 330 | 0.060Ω/3=0.02Ω | >3500mA | | 3 | 1 | TPSV337M010R0060 |
| | 10V | 680 | 0.045Ω/3=0.015Ω | >4600mA | 7.2L x 6.0W x 3.5H | 3 | 1 | 594D337X0010R2T |
| Kemet Tantalum T510/T495 Series | 10V | 330 | 0.090Ω/4=0.023Ω | >2500mA | | 2 | 1 | Surface Mount 595D687X0010R2T |
| | 10V | 330 | 0.035Ω/3=0.012Ω | >5000mA | 4.3Wx7.3L x4.0H | 3 | 1 | T510X337M010AS |
| Sanyo Poscap TPB | 10V | 220 | 0.070Ω/5=0.035Ω | >3000mA | | 5 | 2 | T495X227M010AS Surface Mount |
| | 10V | 220 | 0.040Ω/5=0.008Ω | >3000mA | 7.2L x 4.3W x 3.1H | 5 | 2 | 10TPB220M Surface Mount |

PACKAGING INFORMATION

| Orderable Device | Status ⁽¹⁾ | Package Type | Package Drawing | Pins | Package Qty | Eco Plan ⁽²⁾ | Lead/ Ball Finish | MSL Peak Temp ⁽³⁾ | Samples (Requires Login) |
|------------------|-----------------------|--------------|-----------------|------|-------------|-------------------------|----------------------|------------------------------|-----------------------------|
| PT6703A | OBSOLETE | SIP MODULE | ELA | 23 | | TBD | Call TI | Call TI | |
| PT6703C | NRND | SIP MODULE | ELC | 23 | 10 | TBD | Call TI | Level-3-215C-168HRS | |

⁽¹⁾ The marketing status values are defined as follows:

ACTIVE: Product device recommended for new designs.

LIFEBUY: TI has announced that the device will be discontinued, and a lifetime-buy period is in effect.

NRND: Not recommended for new designs. Device is in production to support existing customers, but TI does not recommend using this part in a new design.

PREVIEW: Device has been announced but is not in production. Samples may or may not be available.

OBSOLETE: TI has discontinued the production of the device.

⁽²⁾ Eco Plan - The planned eco-friendly classification: Pb-Free (RoHS), Pb-Free (RoHS Exempt), or Green (RoHS & no Sb/Br) - please check <http://www.ti.com/productcontent> for the latest availability information and additional product content details.

TBD: The Pb-Free/Green conversion plan has not been defined.

Pb-Free (RoHS): TI's terms "Lead-Free" or "Pb-Free" mean semiconductor products that are compatible with the current RoHS requirements for all 6 substances, including the requirement that lead not exceed 0.1% by weight in homogeneous materials. Where designed to be soldered at high temperatures, TI Pb-Free products are suitable for use in specified lead-free processes.

Pb-Free (RoHS Exempt): This component has a RoHS exemption for either 1) lead-based flip-chip solder bumps used between the die and package, or 2) lead-based die adhesive used between the die and leadframe. The component is otherwise considered Pb-Free (RoHS compatible) as defined above.

Green (RoHS & no Sb/Br): TI defines "Green" to mean Pb-Free (RoHS compatible), and free of Bromine (Br) and Antimony (Sb) based flame retardants (Br or Sb do not exceed 0.1% by weight in homogeneous material)

⁽³⁾ MSL, Peak Temp. -- The Moisture Sensitivity Level rating according to the JEDEC industry standard classifications, and peak solder temperature.

Important Information and Disclaimer: The information provided on this page represents TI's knowledge and belief as of the date that it is provided. TI bases its knowledge and belief on information provided by third parties, and makes no representation or warranty as to the accuracy of such information. Efforts are underway to better integrate information from third parties. TI has taken and continues to take reasonable steps to provide representative and accurate information but may not have conducted destructive testing or chemical analysis on incoming materials and chemicals. TI and TI suppliers consider certain information to be proprietary, and thus CAS numbers and other limited information may not be available for release.

In no event shall TI's liability arising out of such information exceed the total purchase price of the TI part(s) at issue in this document sold by TI to Customer on an annual basis.

IMPORTANT NOTICE

Texas Instruments Incorporated and its subsidiaries (TI) reserve the right to make corrections, modifications, enhancements, improvements, and other changes to its products and services at any time and to discontinue any product or service without notice. Customers should obtain the latest relevant information before placing orders and should verify that such information is current and complete. All products are sold subject to TI's terms and conditions of sale supplied at the time of order acknowledgment.

TI warrants performance of its hardware products to the specifications applicable at the time of sale in accordance with TI's standard warranty. Testing and other quality control techniques are used to the extent TI deems necessary to support this warranty. Except where mandated by government requirements, testing of all parameters of each product is not necessarily performed.

TI assumes no liability for applications assistance or customer product design. Customers are responsible for their products and applications using TI components. To minimize the risks associated with customer products and applications, customers should provide adequate design and operating safeguards.

TI does not warrant or represent that any license, either express or implied, is granted under any TI patent right, copyright, mask work right, or other TI intellectual property right relating to any combination, machine, or process in which TI products or services are used. Information published by TI regarding third-party products or services does not constitute a license from TI to use such products or services or a warranty or endorsement thereof. Use of such information may require a license from a third party under the patents or other intellectual property of the third party, or a license from TI under the patents or other intellectual property of TI.

Reproduction of TI information in TI data books or data sheets is permissible only if reproduction is without alteration and is accompanied by all associated warranties, conditions, limitations, and notices. Reproduction of this information with alteration is an unfair and deceptive business practice. TI is not responsible or liable for such altered documentation. Information of third parties may be subject to additional restrictions.

Resale of TI products or services with statements different from or beyond the parameters stated by TI for that product or service voids all express and any implied warranties for the associated TI product or service and is an unfair and deceptive business practice. TI is not responsible or liable for any such statements.

TI products are not authorized for use in safety-critical applications (such as life support) where a failure of the TI product would reasonably be expected to cause severe personal injury or death, unless officers of the parties have executed an agreement specifically governing such use. Buyers represent that they have all necessary expertise in the safety and regulatory ramifications of their applications, and acknowledge and agree that they are solely responsible for all legal, regulatory and safety-related requirements concerning their products and any use of TI products in such safety-critical applications, notwithstanding any applications-related information or support that may be provided by TI. Further, Buyers must fully indemnify TI and its representatives against any damages arising out of the use of TI products in such safety-critical applications.

TI products are neither designed nor intended for use in military/aerospace applications or environments unless the TI products are specifically designated by TI as military-grade or "enhanced plastic." Only products designated by TI as military-grade meet military specifications. Buyers acknowledge and agree that any such use of TI products which TI has not designated as military-grade is solely at the Buyer's risk, and that they are solely responsible for compliance with all legal and regulatory requirements in connection with such use.

TI products are neither designed nor intended for use in automotive applications or environments unless the specific TI products are designated by TI as compliant with ISO/TS 16949 requirements. Buyers acknowledge and agree that, if they use any non-designated products in automotive applications, TI will not be responsible for any failure to meet such requirements.

Following are URLs where you can obtain information on other Texas Instruments products and application solutions:

Products

| | |
|-----------------------------|--|
| Audio | www.ti.com/audio |
| Amplifiers | amplifier.ti.com |
| Data Converters | dataconverter.ti.com |
| DLP® Products | www.dlp.com |
| DSP | dsp.ti.com |
| Clocks and Timers | www.ti.com/clocks |
| Interface | interface.ti.com |
| Logic | logic.ti.com |
| Power Mgmt | power.ti.com |
| Microcontrollers | microcontroller.ti.com |
| RFID | www.ti-rfid.com |
| RF/IF and ZigBee® Solutions | www.ti.com/lprf |

Applications

| | |
|-------------------------------|--|
| Communications and Telecom | www.ti.com/communications |
| Computers and Peripherals | www.ti.com/computers |
| Consumer Electronics | www.ti.com/consumer-apps |
| Energy and Lighting | www.ti.com/energy |
| Industrial | www.ti.com/industrial |
| Medical | www.ti.com/medical |
| Security | www.ti.com/security |
| Space, Avionics and Defense | www.ti.com/space-avionics-defense |
| Transportation and Automotive | www.ti.com/automotive |
| Video and Imaging | www.ti.com/video |
| Wireless | www.ti.com/wireless-apps |

TI E2E Community Home Page

e2e.ti.com

Mailing Address: Texas Instruments, Post Office Box 655303, Dallas, Texas 75265
Copyright © 2011, Texas Instruments Incorporated