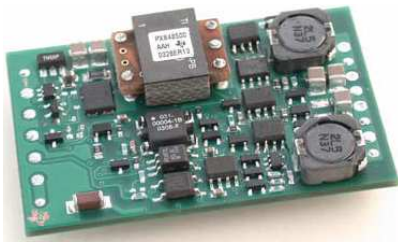


DUAL-OUTPUT, 48-V INPUT ISOLATED DC/DC CONVERTER for xDSL

FEATURES

- Dual Outputs (Independently Regulated)
- Input Voltage Range: 36 V to 75 V
- Power-Up/Down Sequencing
- 1500 VDC Isolation
- Over-Current Protection
- Over-Temperature Shutdown
- Under-Voltage Lockout
- Fixed Frequency Operation
- Temp Range: -40°C to 85°C
- Industry Standard Outline
- Operates with PTB4851x for Complete AC7 Power Solution
- Powers up to 64 DSL Ports
- Safety Approvals:
 - UL/cUL 60950
 - EN 60950



DESCRIPTION

The PTB4850x power modules are a dual-output isolated DC/DC converter, designed to provide the logic supply voltages for AC-7 based xDSL applications. The PTB48500 is rated for 13 A of total output current, making it suitable for 32-channel xDSL applications. The PTB48501 and PTB48502 provide output current for powering up to 64 xDSL channels. The PTB48501 is rated for 16.5 A total output current, and the PTB48502, 21 A. The PTB48502 incorporates 10 W of additional capacity for powering peripheral circuitry. Any of these converters can be used for other applications with similar power requirements.

The modules operate from a standard telecom (-48 V) central office (CO) supply and include an *on/off* enable control, output current limit, over-temperature protection, input under-voltage lockout (UVLO). The PTB48500 and PTB48501 also incorporate a power-up reset (POR) output.

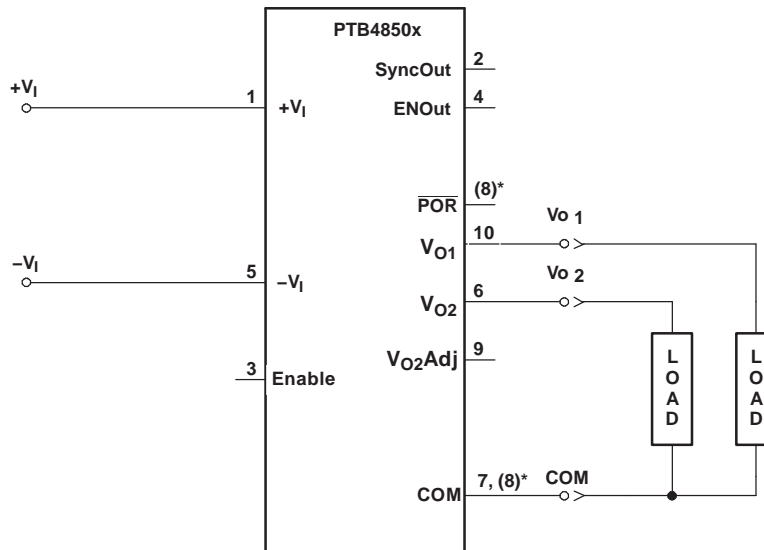
The modules are designed to operate with one of the PTB4851x DC/DC converter modules. The combination of PTB4850x and PTB4851x converter provides the complete the power supply for an AC7 chipset. The *EN Out* and *Sync Out* pins provide compatible output signals for controlling both the power up sequence and switching frequency the PTB48510.

The PTB4850x modules employ double-sided surface mount construction, and are an industry standard size.



Please be aware that an important notice concerning availability, standard warranty, and use in critical applications of Texas Instruments semiconductor products and disclaimers thereto appears at the end of this data sheet.

STAND-ALONE APPLICATION



* Pin 8 is COM on PTB48502

ORDERING INFORMATION

Base Part No. (PTB4850_ xxx)			Output Voltage (PTB4850x_ xx)		Package Options (PT4850xx_ _)		
Order Prefix	Description		Code	Voltage	Code	Description	Pkg Ref.(¹)
PTB48500xxx	13 A	(32-Ports)	A	3.3 V / 1.2 V	AH	Horiz. T/H	(ERH)
PTB48501xxx	16.5 A	(48/64-Ports)			AS	SMD, Standard(²)	(ERJ)
PTB48502xx	21 A	(64-Ports + 10 W)			AZ	SMD, Pb-free	(ERJ)

- (1) Reference the applicable package reference drawing for the dimensions and PC board layout.
(2) *Standard* option specifies 63/37, Sn/Pb pin solder material.

Environmental and General Specifications

(Unless otherwise stated, all voltages are with respect to $-V_I$)

			VALUE	UNIT	
V_I	Input Voltage Range	Over output load range	36 to 75	VDC	
	Isolation Voltage	Input-output/input/case	1500	V	
	Capacitance	Input to output	1500	pF	
	Resistance	Input to output	10	m Ω	
T_A	Operating Temperature Range	Over V_{in} Range	-40 to 85	$^{\circ}$ C	
OTP	Over-Temperature Protection	Shutdown threshold	115	$^{\circ}$ C	
		Hysteresis	10		
T_{reflow}	Solder Reflow Temperature	Surface temperature of module body or pins	235 ⁽¹⁾	$^{\circ}$ C	
T_s	Storage Temperature		-40 to 125	$^{\circ}$ C	
	Mechanical Shock	Per Mil-STD-883D, Method 2002.3 1 msec, 1/2 Sine, mounted	500	G	
	Mechanical Vibration Mil-STD-883D	Method 2007.2	Suffix H	20	G
		20-2000 Hz	Suffix C	5	
	Weight			grams	
	Flammability	Meets UL 94V-O			

- (1) During reflow of SMD package version do not elevate peak temperature of the module, pins or internal components above the stated maximum.

ELECTRICAL CHARACTERISTICS (PTB48500A)

 (Unless otherwise stated, $T_A = 25^\circ\text{C}$, $V_I = 48\text{ V}$, $C_I = 0\ \mu\text{F}$, $C_O = 0\ \mu\text{F}$, and $I_O = 50\% I_{O,max}$)

PARAMETER		TEST CONDITIONS		PTB48500A			UNIT		
				MIN	TYP	MAX			
P_{O_1}, P_{O_2}	Output Power			V_{O_1} (3.3 V)		19.8	W		
				V_{O_2} (1.2 V)		8.4			
$P_{O_{total}}$	Both outputs					28	W		
I_{O_1}, I_{O_2}	Output Current	Over V_I range		V_{O_1} (3.3 V)	0	6 ⁽¹⁾	A		
				V_{O_2} (1.2 V)	0	7 ⁽¹⁾			
$I_{O_1} + I_{O_2}$		Total (both outputs)			0	13	A		
V_{O_1}	Output Voltage					3.2	3.3	3.4	V
V_{O_2}						1.16	1.2	1.24	
ΔReg_{temp}	Temperature Variation	$-40^\circ\text{C} \leq T_A \leq 85^\circ\text{C}$, $I_O = I_{O\ min}$		V_{O_1}		± 0.5	% V_O		
				V_{O_2}		± 0.8			
ΔReg_{line}	Line Regulation	Over V_I range		V_{O_1}, V_{O_2}		± 1	± 10	mV	
ΔReg_{load}	Load Regulation	Over I_O range		V_{O_1}, V_{O_2}		± 3	± 12	mV	
ΔReg_{cross}	Cross Regulation	$I_{O\ min} \leq I_{O_2} \leq I_{O,max}$, $I_{O_1} = 1\text{ A}$		ΔV_{O_1}			10	mV	
		$I_{O\ min} \leq I_{O_1} \leq I_{O,max}$, $I_{O_2} = 1\text{ A}$		ΔV_{O_2}			10		
η	Efficiency	$I_{O_1}, I_{O_2} = I_{O,max}$				82%			
V_r	V_O Ripple (pk-pk)	20 MHz bandwidth		V_{O_1}		20	50	mV _{pp}	
				V_{O_2}		20	50		
t_{tr}	Transient Response	1 A/ μs load step, 50% to 100% $I_{O,max}$				30	μs		
ΔV_{tr}		V_{O_1}, V_{O_2} over/undershoot				± 2.0	% V_O		
I_{Otrip}	Over Current Threshold	$V_I = 36\text{ V}$, reset followed by auto-recovery	$I_{O_1} + I_{O_2}$			13.5	16	A	
V_{adj}	Output Voltage Adjust Range	V_{O_2} only				-10	20	% V_O	
f_s	Switching Frequency	Over V_I and I_O ranges				500	550	600	kHz
V_I on	Under-Voltage Lockout	V_I increasing					34	V	
V_I off		V_I decreasing					32		
V_{IH}	On/Off Enable (pin 3) Input High Voltage	Referenced to $-V_I$ (pin 5)				3.6	75 ⁽²⁾	V	
V_{IL}	Input Low Voltage					-0.2	0.8		
I_{IL}	Input Low Current						-1		mA
I_I standby	Standby Input Current	Pins 3 and 5 connected					2	mA	
C_I	Internal Input Capacitance						2	μF	
C_{O_1}	External Output Capacitance					0 ⁽³⁾	5000	μF	
C_{O_2}						0 ⁽³⁾	5000		
MTBF	Reliability	Per Telcordia SR-332 50% stress, $T_A = 40^\circ\text{C}$, ground benign				1.5		10^6 Hrs	

- (1) See Safe Operating Area curves or contact the factory for the appropriate derating.
- (2) The On/Off Enable (pin 3) has an internal pull-up and may be controlled with an open-collector (or open-drain) transistor. The input is diode protected and may be connected to $+V_I$. The maximum open-circuit voltage is 7 V. If it is left open circuit the converter will operate when input power is applied.
- (3) An output capacitor is not required.

ELECTRICAL CHARACTERISTICS (PTB48501A)

(Unless otherwise stated, $T_A = 25^\circ\text{C}$, $V_I = 48\text{ V}$, $C_I = 0\ \mu\text{F}$, $C_O = 0\ \mu\text{F}$, and $I_O = 50\% I_{O,max}$)

PARAMETER		TEST CONDITIONS		PTB48501A			UNIT		
				MIN	TYP	MAX			
P_{O1}, P_{O2}	Output Power			V_{O1} (3.3 V)		19.8	W		
				V_{O2} (1.2 V)		12.6			
$P_{O\text{ total}}$	Both outputs					32.4	W		
I_{O1}, I_{O2}	Output Current	Over V_I range		V_{O1} (3.3 V)	0	6 ⁽¹⁾	A		
				V_{O2} (1.2 V)	0	10.5 ⁽¹⁾			
$I_{O1} + I_{O2}$		Total (both outputs)		0		16.5	A		
V_{O1}	Output Voltage					3.2	3.3	3.4	V
V_{O2}						1.16	1.2	1.24	
$\Delta\text{Reg}_{\text{temp}}$	Temperature Variation	$-40^\circ\text{C} \leq T_A \leq 85^\circ\text{C}$, $I_O = I_{O\text{ min}}$		V_{O1}		± 0.5	% V_O		
				V_{O2}		± 0.8			
$\Delta\text{Reg}_{\text{line}}$	Line Regulation	Over V_I range		V_{O1}, V_{O2}		± 1	± 10	mV	
$\Delta\text{Reg}_{\text{load}}$	Load Regulation	Over I_O range		V_{O1}, V_{O2}		± 3	± 12	mV	
$\Delta\text{Reg}_{\text{cross}}$	Cross Regulation	$I_{O\text{ min}} \leq I_{O2} \leq I_{O\text{ max}}$, $I_{O1} = 1\text{ A}$		ΔV_{O1}			10	mV	
		$I_{O\text{ min}} \leq I_{O1} \leq I_{O\text{ max}}$, $I_{O2} = 1\text{ A}$		ΔV_{O2}			10		
η	Efficiency	$I_{O1}, I_{O2} = I_{O\text{ max}}$				81%			
V_r	V_O Ripple (pk-pk)	20 MHz bandwidth		V_{O1}		20	50	mV _{pp}	
				V_{O2}		20	50		
t_{tr}	Transient Response	1 A/ μs load step, 50% to 100% $I_{O\text{ max}}$				30	μs		
ΔV_{tr}		V_{O1}, V_{O2} over/undershoot				± 2.0	% V_O		
$I_{O\text{ trip}}$	Over Current Threshold	$V_I = 36\text{ V}$, reset followed by auto-recovery		$I_{O1} + I_{O2}$		24	A		
V_{adj}	Output Voltage Adjust Range	V_{O2} only				-20	10	% V_O	
f_s	Switching Frequency	Over V_I and I_O ranges				500	550	600	kHz
$V_{I\text{ on}}$	Under-Voltage Lockout	V_I increasing				34		V	
$V_{I\text{ off}}$		V_I decreasing				32			
V_{IH}	On/Off Enable (pin 3) Input High Voltage	Referenced to $-V_I$ (pin 5)				3.6	75 ⁽²⁾	V	
V_{IL}	Input Low Voltage					-0.2	0.8		
I_{IL}	Input Low Current						-1		mA
$I_{I\text{ standby}}$	Standby Input Current	Pins 3 and 5 connected				2		mA	
C_I	Internal Input Capacitance					2		μF	
C_{O1}	External Output Capacitance					0 ⁽³⁾	5000	μF	
C_{O2}						0 ⁽³⁾	5000		
MTBF	Reliability	Per Telcordia SR-332 50% stress, $T_A = 40^\circ\text{C}$, ground benign				1.5		10^6 Hrs	

- (1) See Safe Operating Area curves or contact the factory for the appropriate derating.
- (2) The On/Off Enable (pin 3) has an internal pull-up and may be controlled with an open-collector (or open-drain) transistor. The input is diode protected and may be connected to $+V_I$. The maximum open-circuit voltage is 7 V. If it is left open circuit the converter will operate when input power is applied.
- (3) An output capacitor is not required.

ELECTRICAL CHARACTERISTICS (PTB48502A)

 (Unless otherwise stated, $T_A = 25^\circ\text{C}$, $V_I = 48\text{ V}$, $C_I = 0\ \mu\text{F}$, $C_O = 0\ \mu\text{F}$, and $I_O = 50\% I_{O,max}$)

PARAMETER		TEST CONDITIONS		PTB48502A			UNIT	
				MIN	TYP	MAX		
P_{O1}, P_{O2}	Output Power			V_{O1} (3.3 V)	33		W	
				V_{O2} (1.2 V)	15.6			
$P_{O\text{ total}}$	Both outputs				45		W	
I_{O1}, I_{O2}	Output Current	Over V_I range		V_{O1} (3.3 V)	0	$10^{(1)}$	A	
				V_{O2} (1.2 V)	0	$13^{(1)}$		
$I_{O1} + I_{O2}$		Total (both outputs)		0	21		A	
V_{O1}	Output Voltage	Includes set point, line, load, $-40^\circ\text{C} \leq T_A \leq 85^\circ\text{C}$			3.2	3.3	3.4	V
V_{O2}				1.16	1.2	1.24		
$\Delta\text{Reg}_{\text{temp}}$	Temperature Variation	$-40^\circ\text{C} \leq T_A \leq 85^\circ\text{C}$, $I_O = I_{O\text{ min}}$		V_{O1}	± 0.5		% V_O	
				V_{O2}	± 0.8			
$\Delta\text{Reg}_{\text{line}}$	Line Regulation	Over V_I range	V_{O1}, V_{O2}	± 1	± 10		mV	
$\Delta\text{Reg}_{\text{load}}$	Load Regulation	Over I_O range	V_{O1}, V_{O2}	± 3	± 12		mV	
$\Delta\text{Reg}_{\text{cross}}$	Cross Regulation	$I_{O\text{ min}} \leq I_{O2} \leq I_{O\text{ max}}$, $I_{O1} = 1\text{ A}$	ΔV_{O1}	10		mV		
		$I_{O\text{ min}} \leq I_{O1} \leq I_{O\text{ max}}$, $I_{O2} = 1\text{ A}$	ΔV_{O2}	10				
η	Efficiency	$I_{O1}, I_{O2} = I_{O\text{ max}}$		82%				
V_r	V_O Ripple (pk-pk)	20 MHz bandwidth		V_{O1}	20	50	mV _{pp}	
				V_{O2}	20	50		
t_{tr}	Transient Response	1 A/ μs load step, 50% to 100% $I_{O\text{ max}}$		30		μs		
ΔV_{tr}		V_{O1}, V_{O2} over/undershoot		± 2.0		% V_O		
$I_{O\text{ trip}}$	Over Current Threshold	$V_I = 36\text{ V}$, reset followed by auto-recovery	$I_{O1} + I_{O2}$	24		A		
V_{adj}	Output Voltage Adjust Range	V_{O2} only		-20	10		% V_O	
f_s	Switching Frequency	Over V_I and I_O ranges		500	550	600	kHz	
V_I on	Under-Voltage Lockout	V_I increasing		34		V		
V_I off		V_I decreasing		32				
V_{IH}	On/Off Enable (pin 3) Input High Voltage	Referenced to $-V_I$ (pin 5)		3.6	$75^{(2)}$		V	
V_{IL}	Input Low Voltage			-0.2	0.8			
I_{IL}	Input Low Current			-1		mA		
I_I standby	Standby Input Current	Pins 3 and 5 connected		2		mA		
C_I	Internal Input Capacitance			2		μF		
C_{O1}	External Output Capacitance			$0^{(3)}$	5000		μF	
C_{O2}				$0^{(3)}$	5000			
MTBF	Reliability	Per Telcordia SR-332 50% stress, $T_A = 40^\circ\text{C}$, ground benign		1.5		10^6 Hrs		

- (1) See Safe Operating Area curves or contact the factory for the appropriate derating.
- (2) The On/Off Enable (pin 3) has an internal pull-up and may be controlled with an open-collector (or open-drain) transistor. The input is diode protected and may be connected to $+V_I$. The maximum open-circuit voltage is 7 V. If it is left open circuit the converter will operate when input power is applied.
- (3) An output capacitor is not required.

DEVICE INFORMATION

TERMINAL FUNCTIONS

TERMINAL		DESCRIPTION
NAME	NO.	
+V _I ⁽¹⁾	1	The positive input supply for the module with respect to –V _I . When powering the module from a –48 V telecom central office supply, this input is connected to the primary system ground.
–V _I	5	The negative input supply for the module, and the 0 VDC reference for the <i>Enable</i> , <i>EN Out</i> , and <i>Sync Out</i> signals. When the module is powered from a +48-V supply, this input is connected to the 48-V Return.
V _{O1}	10	The higher regulated power output voltage, which is referenced to the COM node.
V _{O2}	6	The lower regulated power output voltage, which is referenced to the COM node.
COM	7	The secondary return reference for the module's two regulated output voltages. It is dc isolated from the input supply pins.
V _{O2} Adjust	9	Using a single resistor, this pin allows V _{O2} to be adjusted higher or lower than the preset value. If not used, this pin should be left open circuit.
Enable ⁽²⁾	3	This is an open-collector (open-drain) positive logic input that enables the module output. This pin is referenced to –V _I . A logic 0 at this pin disables the module's outputs, and a high impedance enables the outputs. If not used the pin should be left unconnected.
EN Out	4	This open-collector output may be used to enable the output of other DC/DC converters in applications where the power-up sequence of the related voltages must be precisely controlled. The output is used principally to control the startup up of a PTB4851xx module when powering ADSL circuits based on the AC7 chipset. The signal is referenced to –V _I , and is active low. It is initially <i>off</i> (high impedance), and turns <i>on</i> when the output voltage, V _{O1} , has risen to its nominal set-point voltage.
Sync Out	2	The signal generated by this pin is designed to be used exclusively with the PTB48510 in AC7 ADSL applications. When the <i>Sync Out</i> of this converter is connected directly to the <i>Sync In</i> pin of the PTB48510, both modules will operate at the same switch conversion frequency.
POR ⁽³⁾ /COM ⁽⁴⁾	8	(POR: Available to PTB48500 and PTB48501 only.) This pin produces an active-low power-on reset signal that may be used to reset logic circuitry. The output is set low during power up just as the output voltage from V _{O1} starts to rise. It remains low for 10 ms after the voltage at V _{O1} has reached its nominal set-point voltage. This signal is referenced to the COM node, and has a 3.3-kΩ internal pull-up resistor to V _{O1} .

- (1) Shaded functions indicate signals that are referenced to –V_I.
(2) Denotes positive logic: Open = Normal operation, –V_I = Outputs Off
(3) Denotes negative logic: High = Normal operation, Low = Reset
(4) This pin is COM on the PTB48502.

TYPICAL CHARACTERISTICS (1)(2)(3)

CHARACTERISTIC DATA (PTB48500A)

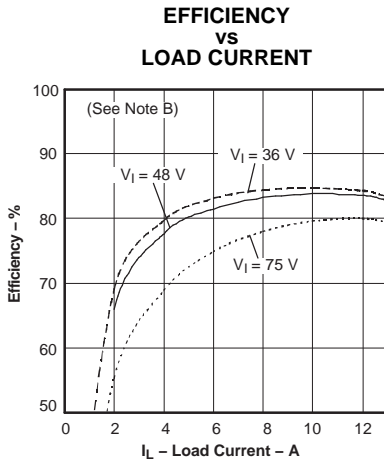


Figure 1.

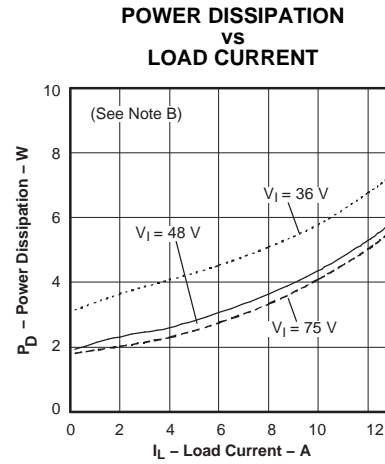


Figure 2.

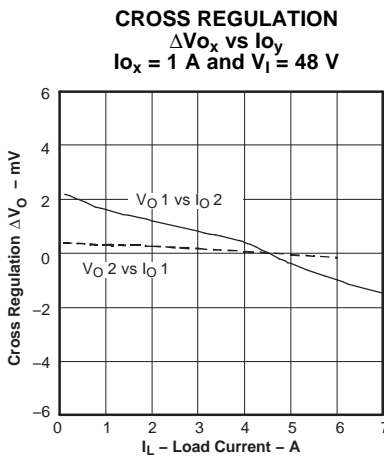


Figure 3.

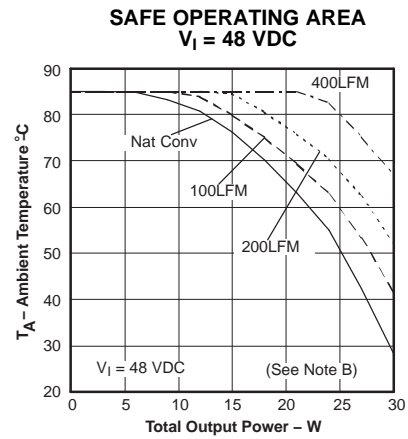


Figure 4.

- (1) A. Characteristic data has been developed from actual products tested at 25°C. This data is considered typical data for the converter.
- (2) B. Load current is increased proportionally from both outputs, up to the indicated maximum value of each respective output.
- (3) C. SOA curves represent the conditions at which internal components are at or below the manufacturer's maximum operating temperatures. Derating limits apply to modules soldered directly to a 4 in. × 4 in. double-sided PCB with 1 oz. copper.

TYPICAL CHARACTERISTICS (1)(2)(3)

PTB48501A CHARACTERISTIC DATA (PTB48501A)

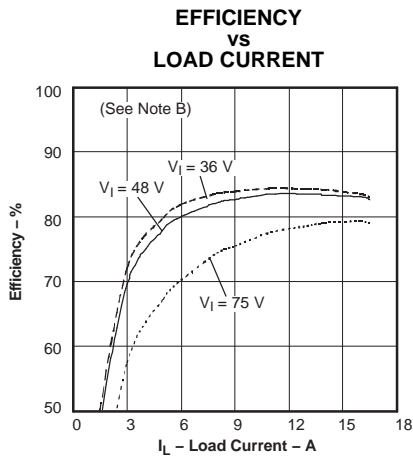


Figure 5.

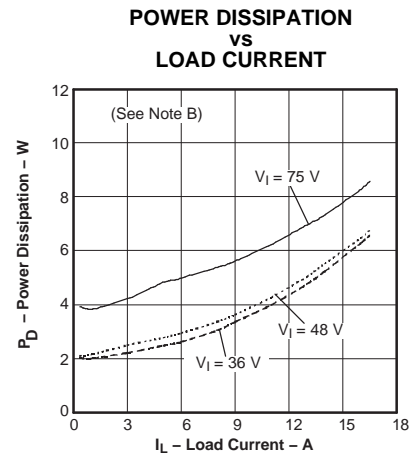


Figure 6.

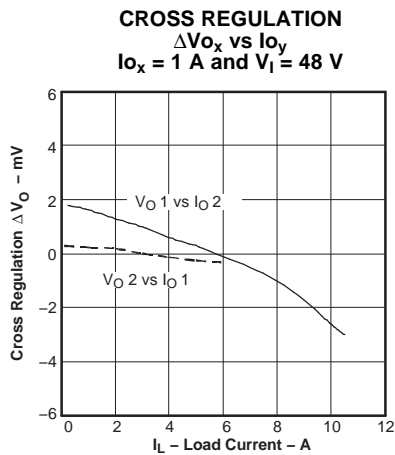


Figure 7.

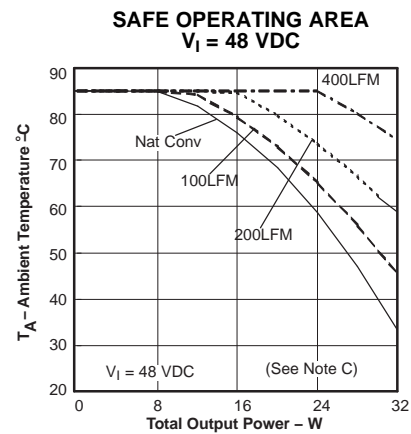


Figure 8.

- (1) A. Characteristic data has been developed from actual products tested at 25°C. This data is considered typical data for the converter.
- (2) B. Load current is increased proportionally from both outputs, up to the indicated maximum value of each respective output.
- (3) C. SOA curves represent the conditions at which internal components are at or below the manufacturer's maximum operating temperatures. Derating limits apply to modules soldered directly to a 4 in. × 4 in. double-sided PCB with 1 oz. copper.

TYPICAL CHARACTERISTICS (1)(2)(3)

CHARACTERISTIC DATA (PTB48502A)
[$I_{O1} = 10\text{ A}$, $I_{O2} = 10\text{ A}$ represents 100% load]

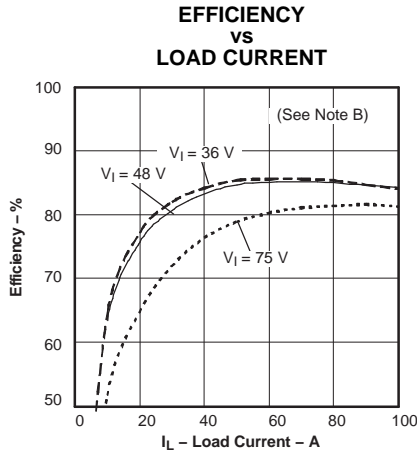


Figure 9.

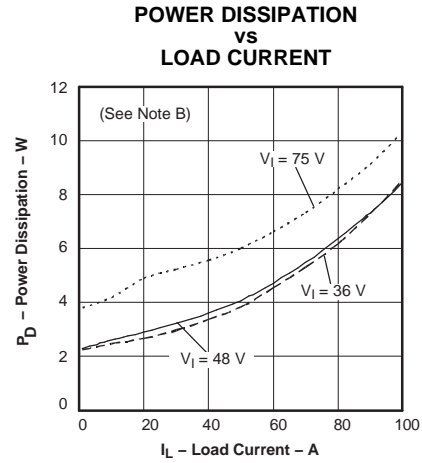


Figure 10.

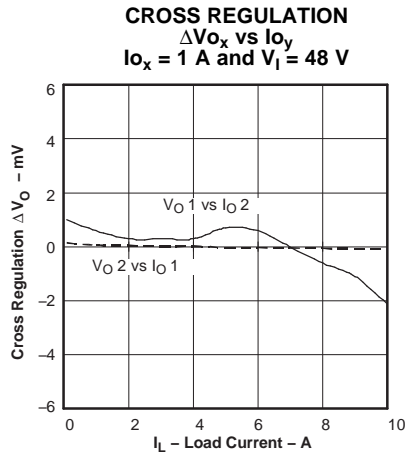


Figure 11.

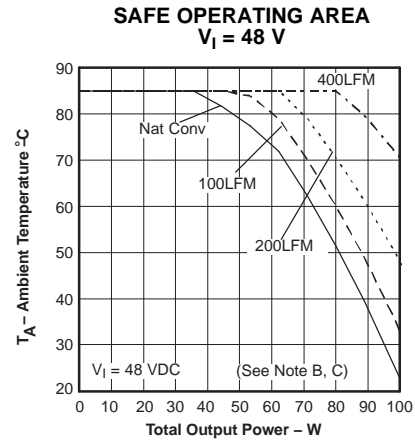


Figure 12.

- (1) A. Characteristic data has been developed from actual products tested at 25°C. This data is considered typical data for the converter.
- (2) B. Load current is increased proportionally from both outputs, up to the indicated maximum value of each respective output.
- (3) C. SOA curves represent the conditions at which internal components are at or below the manufacturer's maximum operating temperatures. Derating limits apply to modules soldered directly to a 4 in. × 4 in. double-sided PCB with 1 oz. copper.

TYPICAL CHARACTERISTICS (1)(2)(3)

CHARACTERISTIC DATA (PTB48502A)
 [$I_{O1} = 8\text{ A}$, $I_{O2} = 10\text{ A}$ represents 100% load]

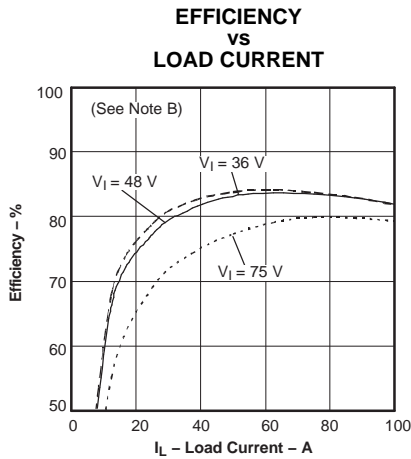


Figure 13.

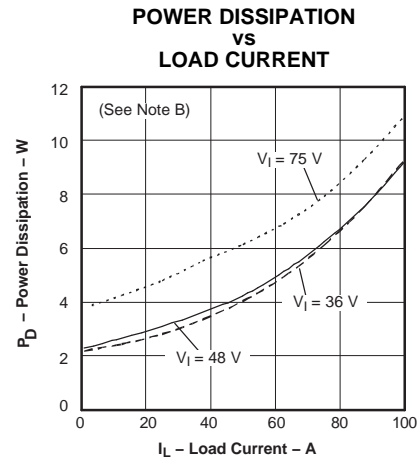


Figure 14.

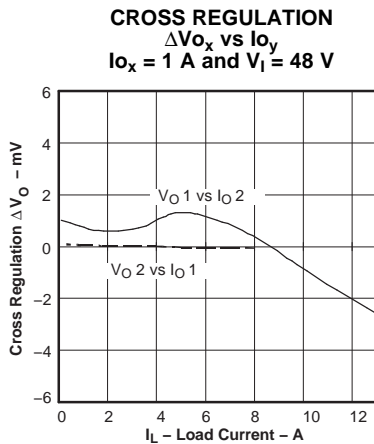


Figure 15.

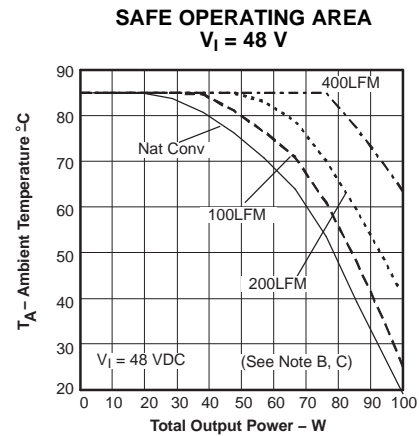


Figure 16.

- (1) A. Characteristic data has been developed from actual products tested at 25°C. This data is considered typical data for the converter.
- (2) B. Load current is increased proportionally from both outputs, up to the indicated maximum value of each respective output.
- (3) C. SOA curves represent the conditions at which internal components are at or below the manufacturer's maximum operating temperatures. Derating limits apply to modules soldered directly to a 4 in. × 4 in. double-sided PCB with 1 oz. copper.

APPLICATION INFORMATION

ADJUSTING THE LOWER OUTPUT VOLTAGE OF THE PTB4850x

The PTB4850x series of DC/DC converters are designed to produce two logic-level supply voltages for use with the AC-7 ADSL chipset. The magnitude of lowest output voltage (V_{O2}) can be adjusted higher or lower by up to 10% or -20% of the nominal. The adjustment method uses a single external resistor.¹ The value of the resistor determines the amount of adjustment, and its placement determines whether the voltage is increased or decreased. The resistor values can be calculated using the appropriate formula (see Equation 1 and Equation 2), or simply selected from the range of values given in Table 2. The placement of each resistor is as follows.

Adjust Up: To increase the magnitude of both output voltages, place a resistor R_1 between V_{O2} Adj (pin 9) and the V_{O2} (pin 6) voltage rail; see Figure 17.

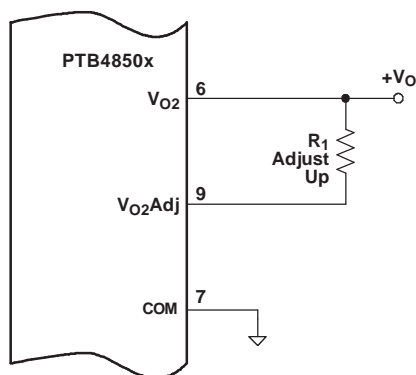


Figure 17. Adjust Up

Adjust Down: To decrease the magnitude of both output voltages, add a resistor (R_2), between V_{O2} Adj (pin 9) and the COM (pin 7) voltage rail; see Figure 18.

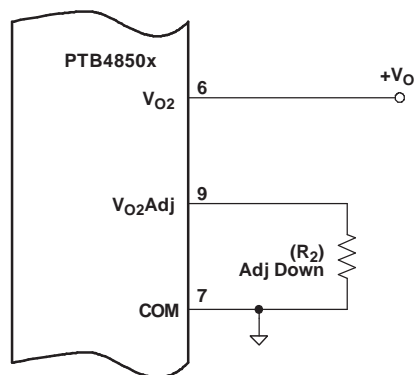


Figure 18. Adjust Down

CALCULATION OF THE ADJUST RESISTOR

The value of the adjust resistor is calculated using one of the following equations. Use the equation for R_1 to adjust up, or (R_2) to adjust down.

$$R_1 [\text{Adjust Up}] = R_p \times \frac{V_a}{(V_a - V_o)} - R_s \text{ k}\Omega \quad (1)$$

$$(R_2) [\text{Adjust Down}] = R_n \times \frac{V_a}{(V_o - V_a)} - R_s \text{ k}\Omega \quad (2)$$

Where:

V_o = Magnitude of the original output voltage

V_a = Magnitude of the adjusted voltage

R_p = Adjust-up constant from Table 1

R_n = Adjust-down constant from Table 1

R_s = Internal series resistor from Table 1

Table 1. Adjustment Range and Formula Parameters

Part No.	PTB48500(1)A	PTB48502A
$V_o(\text{nom})$	1.2 V	1.2 V
$V_a(\text{min})$	0.96 V	0.84 V
$V_a(\text{max})$	1.32 V	1.32 V
R_p (k Ω)	1.648	1.196
R_n (k Ω)	4.624	3.598
R_s (k Ω)	18.2V	13.0

NOTES:

- A 0.05 W rated resistor may be used. The tolerance should be 1%, with a temperature stability of 100 ppm/ $^{\circ}\text{C}$ or better. Place the resistor in either the R_1 or (R_2) location, as close to the converter as possible.
- Never connect capacitors to the V_{O2} Adj pin. Capacitance added to this pin can affect the stability of the regulated output.

Table 2. Adjust Resistor Values

Part No.		PTB4850xA	PTB48502A
% Adjust	V_a (V)	$R_1 / (R_2)^{(1)}$	$R_1 / (R_2)^{(1)}$
-21	0.848	N/A	(0.5) k Ω
-20	0.960	(0.3) k Ω	(1.4) k Ω
-19	0.972	(1.5) k Ω	(2.3) k Ω
-18	0.984	(2.9) k Ω	(3.4) k Ω
-17	0.996	(4.4) k Ω	(4.6) k Ω
-16	1.008	(6.1) k Ω	(5.9) k Ω
-15	1.020	(8.0) k Ω	(7.4) k Ω
-14	1.032	(10.2) k Ω	(9.1) k Ω

(1) R_1 =Adjust up, (R_2) =Adjust down

Table 2. Adjust Resistor Values (continued)

Part No.		PTB4850xA	PTB48502A
% Adjust	V _a (V)	R ₁ / (R ₂) ⁽¹⁾	R ₁ / (R ₂) ⁽¹⁾
-13	1.044	(12.7) kΩ	(11.1) kΩ
-12	1.056	(15.7) kΩ	(13.4) kΩ
-11	1.068	(19.2) kΩ	(16.1) kΩ
-10	1.080	(23.4) kΩ	(19.4) kΩ
-9	1.092	(28.6) kΩ	(23.4) kΩ
-8	1.104	(35) kΩ	(28.4) kΩ
-7	1.116	(43.2) kΩ	(34.8) kΩ
-6	1.128	(54.2) kΩ	(43.4) kΩ
-5	1.140	(69.7) kΩ	(55.4) kΩ
-4	1.152	(92.8) kΩ	(73.4) kΩ
-3	1.164	(131) kΩ	103.0) kΩ
-2	1.176	(208) kΩ	163.0) kΩ
-1	1.188	(440) kΩ	343.0) kΩ
0	1.200		
+ 1	1.212	148 kΩ	108.0 kΩ
+ 2	1.224	65.8 kΩ	48.0 kΩ
+ 3	1.236	38.4 kΩ	28.1 kΩ
+ 4	1.248	24.6 kΩ	18.1 kΩ
+ 5	1.260	16.4 kΩ	12.1 kΩ
+ 6	1.272	10.9 kΩ	8.1 kΩ
+ 7	1.284	7 kΩ	5.3 kΩ
+ 8	1.296	4.1 kΩ	3.2 kΩ
+ 9	1.308	1.8 kΩ	1.5 kΩ
+10	1.320	0 kΩ	0.2 kΩ

CONFIGURING THE PTB4850X AND PTB4851X FOR DSL APPLICATIONS

When operated as a pair, the PTB4850x and PTB4851x converters are specifically designed to provide all the required supply voltages for powering xDSL chipsets. The PTB4850x produces two logic voltages. They include a 3.3-V source for logic and I/O, and a low-voltage for powering a digital signal processor core. The PTB4851x produces a balanced pair of complementary supply voltages that is required for the xDSL transceiver ICs. When used together in these types of applications, the PTB4850x and PTB4851x may be configured for power-up sequencing, and also synchronized to a common switch conversion frequency. Figure 20 shows the required cross-connects between the two converters to enable these two features.

SWITCHING FREQUENCY SYNCHRONIZATION

Unsynchronized, the difference in switch frequency introduces a beat frequency into the input and output AC ripple components from the converters. The beat frequency can vary considerably with any slight variation in either converter's switch frequency. This results in a variable and undefined frequency spectrum for the ripple waveforms, which would normally require separate filters at the input of each converter. When the switch frequency of the converters are synchronized, the ripple components are constrained to the fundamental and higher. This simplifies the design of the output filters, and allows a common filter to be specified for the treatment of input ripple.

POWER-UP SEQUENCING

The desired power-up sequence for the AC7 supply voltages requires that the two logic-level voltages from the PTB4850x converter rise to regulation prior to the two complementary voltages that power the transceiver ICs. This sequence cannot be guaranteed if the PTB4850x and PTB4851x are allowed to power up independently, especially if the 48-V input voltage rises relatively slowly. To ensure the desired power-up sequence, the EN Out pin of the PTB4850x is directly connected to the activelow Enable input of the PTB4851x (see Figure 20). This allows the PTB4850x to momentarily hold off the outputs from the PTB4851x until the logic-level voltages have risen first. Figure 19 shows the power-up waveforms of all four supply voltages from the schematic of Figure 20.

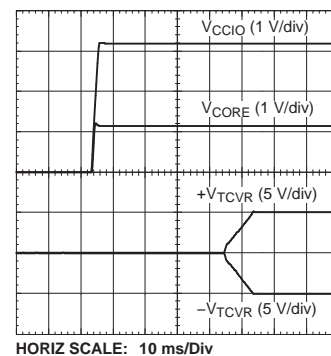


Figure 19. Power-Up Sequencing Waveforms

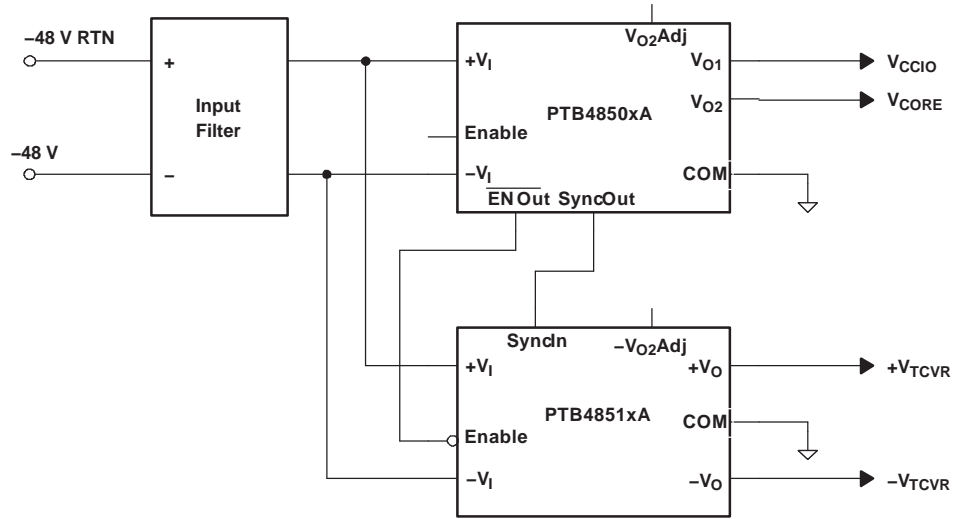


Figure 20. Example of PTB4850x and PTB4851x Modules Configured for DSL Applications

PACKAGING INFORMATION

Orderable Device	Status ⁽¹⁾	Package Type	Package Drawing	Pins	Package Qty	Eco Plan ⁽²⁾	Lead/Ball Finish	MSL Peak Temp ⁽³⁾
PTB48500AAH	ACTIVE	DIP MOD ULE	ERH	10	9	Pb-Free (RoHS)	Call TI	N / A for Pkg Type
PTB48500AAS	ACTIVE	DIP MOD ULE	ERJ	10	9	TBD	Call TI	Level-1-235C-UNLIM/ Level-3-260C-168HRS
PTB48500AAZ	ACTIVE	DIP MOD ULE	ERJ	10	9	Pb-Free (RoHS)	Call TI	Level-3-260C-168 HR
PTB48501AAH	ACTIVE	DIP MOD ULE	ERH	10	9	Pb-Free (RoHS)	Call TI	N / A for Pkg Type
PTB48501AAS	ACTIVE	DIP MOD ULE	ERJ	10	9	TBD	Call TI	Level-1-235C-UNLIM/ Level-3-260C-168HRS
PTB48501AAZ	ACTIVE	DIP MOD ULE	ERJ	10	9	Pb-Free (RoHS)	Call TI	Level-3-260C-168 HR
PTB48502AAH	ACTIVE	DIP MOD ULE	ERH	10	9	Pb-Free (RoHS)	Call TI	N / A for Pkg Type
PTB48502AAS	ACTIVE	DIP MOD ULE	ERJ	10	9	TBD	Call TI	Level-1-235C-UNLIM/ Level-3-260C-168HRS
PTB48502AAZ	ACTIVE	DIP MOD ULE	ERJ	10	9	Pb-Free (RoHS)	Call TI	Level-3-260C-168 HR

⁽¹⁾ The marketing status values are defined as follows:

ACTIVE: Product device recommended for new designs.

LIFEBUY: TI has announced that the device will be discontinued, and a lifetime-buy period is in effect.

NRND: Not recommended for new designs. Device is in production to support existing customers, but TI does not recommend using this part in a new design.

PREVIEW: Device has been announced but is not in production. Samples may or may not be available.

OBSOLETE: TI has discontinued the production of the device.

⁽²⁾ Eco Plan - The planned eco-friendly classification: Pb-Free (RoHS), Pb-Free (RoHS Exempt), or Green (RoHS & no Sb/Br) - please check <http://www.ti.com/productcontent> for the latest availability information and additional product content details.

TBD: The Pb-Free/Green conversion plan has not been defined.

Pb-Free (RoHS): TI's terms "Lead-Free" or "Pb-Free" mean semiconductor products that are compatible with the current RoHS requirements for all 6 substances, including the requirement that lead not exceed 0.1% by weight in homogeneous materials. Where designed to be soldered at high temperatures, TI Pb-Free products are suitable for use in specified lead-free processes.

Pb-Free (RoHS Exempt): This component has a RoHS exemption for either 1) lead-based flip-chip solder bumps used between the die and package, or 2) lead-based die adhesive used between the die and leadframe. The component is otherwise considered Pb-Free (RoHS compatible) as defined above.

Green (RoHS & no Sb/Br): TI defines "Green" to mean Pb-Free (RoHS compatible), and free of Bromine (Br) and Antimony (Sb) based flame retardants (Br or Sb do not exceed 0.1% by weight in homogeneous material)

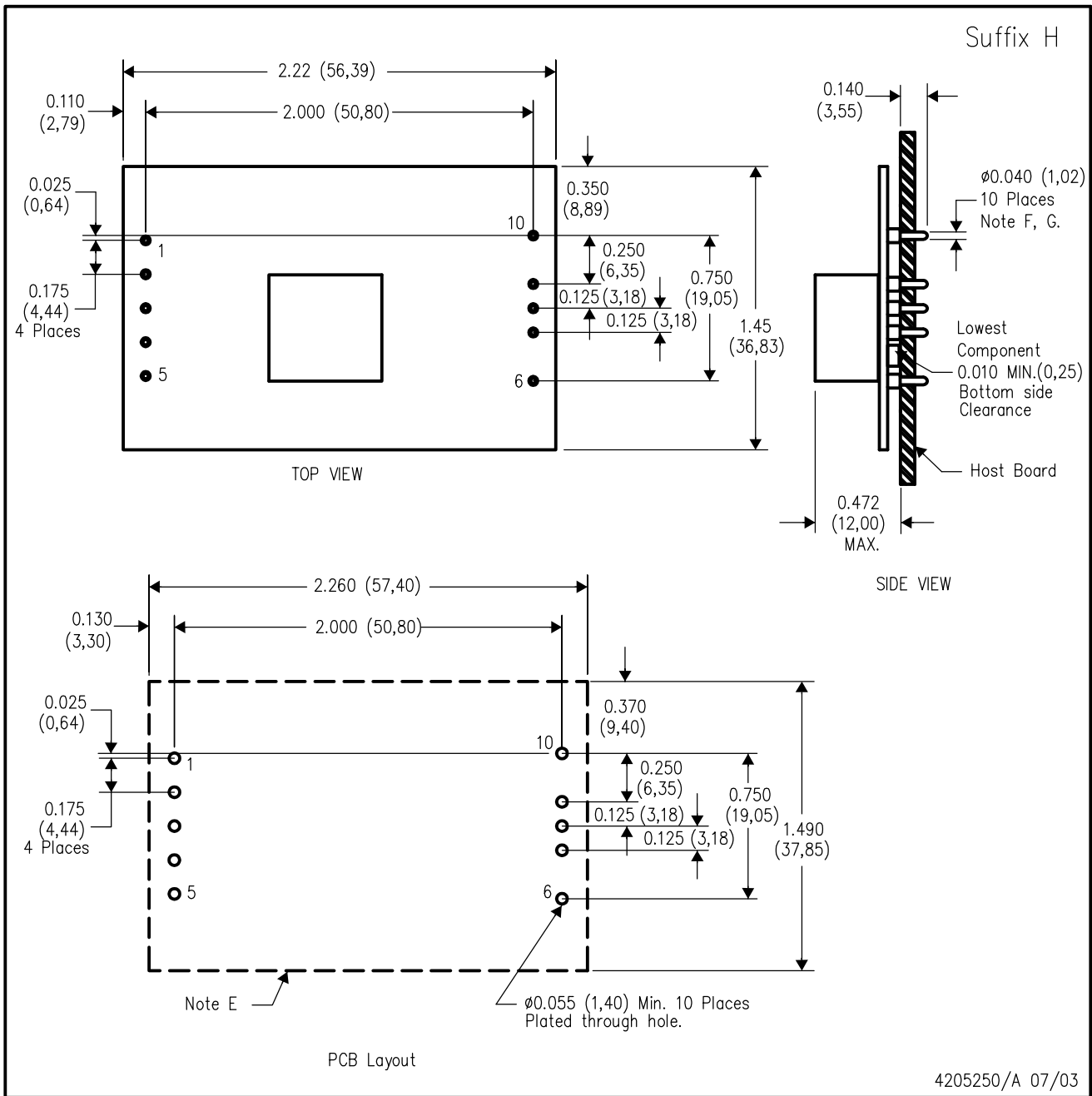
⁽³⁾ MSL, Peak Temp. -- The Moisture Sensitivity Level rating according to the JEDEC industry standard classifications, and peak solder temperature.

Important Information and Disclaimer:The information provided on this page represents TI's knowledge and belief as of the date that it is provided. TI bases its knowledge and belief on information provided by third parties, and makes no representation or warranty as to the accuracy of such information. Efforts are underway to better integrate information from third parties. TI has taken and continues to take reasonable steps to provide representative and accurate information but may not have conducted destructive testing or chemical analysis on incoming materials and chemicals. TI and TI suppliers consider certain information to be proprietary, and thus CAS numbers and other limited information may not be available for release.

In no event shall TI's liability arising out of such information exceed the total purchase price of the TI part(s) at issue in this document sold by TI to Customer on an annual basis.

ERH (R-PDSS-T10)

DOUBLE SIDED MODULE

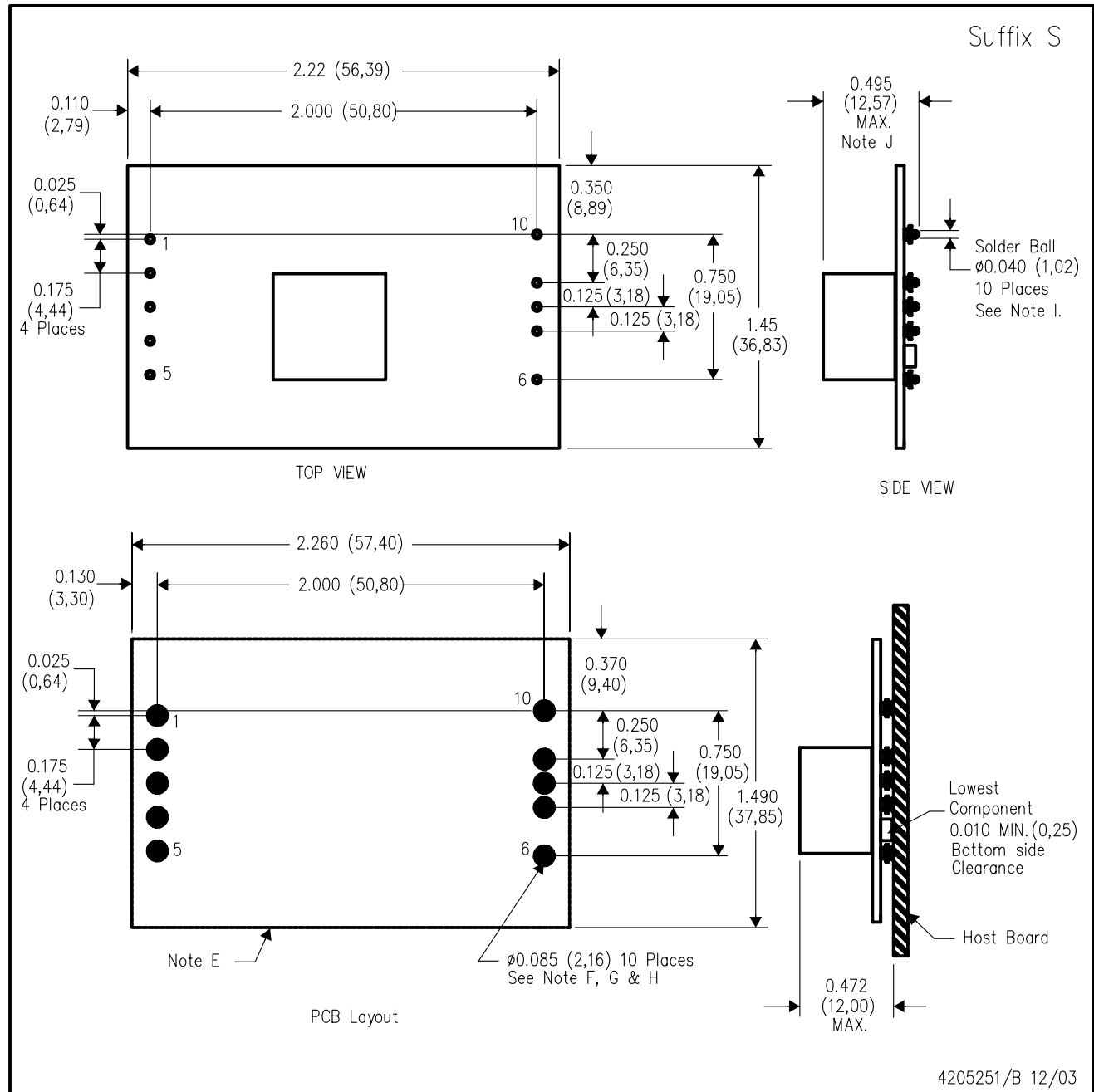


- NOTES:
- A. All linear dimensions are in inches (mm).
 - B. This drawing is subject to change without notice.
 - C. 2 place decimals are ± 0.020 ($\pm 0,51$ mm).
 - D. 3 place decimals are ± 0.010 ($\pm 0,25$ mm).
 - E. Recommended keep out area for user components.

- F. Pins are 0.040" (1,02) diameter with 0.070" (1,78) diameter standoff shoulder.
- G. All pins: Material - Copper Alloy
Finish - Tin (100%) over Nickel plate

ERJ (R-PDSS-B10)

DOUBLE SIDED MODULE



- NOTES:
- A. All linear dimensions are in inches (mm).
 - B. This drawing is subject to change without notice.
 - C. 2 place decimals are ± 0.020 ($\pm 0,51$ mm).
 - D. 3 place decimals are ± 0.010 ($\pm 0,25$ mm).
 - E. Recommended keep out area for user components.
 - F. Power pin connection should utilize four or more vias to the interior power plane of 0.025 (0,63) I.D. per input, ground and output pin (or the electrical equivalent).
 - G. Paste screen opening: 0.080 (2,03) to 0.085 (2,16).
Paste screen thickness: 0.006 (0,15).
 - H. Pad type: Solder mask defined.
 - I. All pins: Material – Copper Alloy
Finish – Tin (100%) over Nickel plate
Solder Ball – See product data sheet.
 - J. Dimension prior to reflow solder.

IMPORTANT NOTICE

Texas Instruments Incorporated and its subsidiaries (TI) reserve the right to make corrections, modifications, enhancements, improvements, and other changes to its products and services at any time and to discontinue any product or service without notice. Customers should obtain the latest relevant information before placing orders and should verify that such information is current and complete. All products are sold subject to TI's terms and conditions of sale supplied at the time of order acknowledgment.

TI warrants performance of its hardware products to the specifications applicable at the time of sale in accordance with TI's standard warranty. Testing and other quality control techniques are used to the extent TI deems necessary to support this warranty. Except where mandated by government requirements, testing of all parameters of each product is not necessarily performed.

TI assumes no liability for applications assistance or customer product design. Customers are responsible for their products and applications using TI components. To minimize the risks associated with customer products and applications, customers should provide adequate design and operating safeguards.

TI does not warrant or represent that any license, either express or implied, is granted under any TI patent right, copyright, mask work right, or other TI intellectual property right relating to any combination, machine, or process in which TI products or services are used. Information published by TI regarding third-party products or services does not constitute a license from TI to use such products or services or a warranty or endorsement thereof. Use of such information may require a license from a third party under the patents or other intellectual property of the third party, or a license from TI under the patents or other intellectual property of TI.

Reproduction of TI information in TI data books or data sheets is permissible only if reproduction is without alteration and is accompanied by all associated warranties, conditions, limitations, and notices. Reproduction of this information with alteration is an unfair and deceptive business practice. TI is not responsible or liable for such altered documentation. Information of third parties may be subject to additional restrictions.

Resale of TI products or services with statements different from or beyond the parameters stated by TI for that product or service voids all express and any implied warranties for the associated TI product or service and is an unfair and deceptive business practice. TI is not responsible or liable for any such statements.

TI products are not authorized for use in safety-critical applications (such as life support) where a failure of the TI product would reasonably be expected to cause severe personal injury or death, unless officers of the parties have executed an agreement specifically governing such use. Buyers represent that they have all necessary expertise in the safety and regulatory ramifications of their applications, and acknowledge and agree that they are solely responsible for all legal, regulatory and safety-related requirements concerning their products and any use of TI products in such safety-critical applications, notwithstanding any applications-related information or support that may be provided by TI. Further, Buyers must fully indemnify TI and its representatives against any damages arising out of the use of TI products in such safety-critical applications.

TI products are neither designed nor intended for use in military/aerospace applications or environments unless the TI products are specifically designated by TI as military-grade or "enhanced plastic." Only products designated by TI as military-grade meet military specifications. Buyers acknowledge and agree that any such use of TI products which TI has not designated as military-grade is solely at the Buyer's risk, and that they are solely responsible for compliance with all legal and regulatory requirements in connection with such use.

TI products are neither designed nor intended for use in automotive applications or environments unless the specific TI products are designated by TI as compliant with ISO/TS 16949 requirements. Buyers acknowledge and agree that, if they use any non-designated products in automotive applications, TI will not be responsible for any failure to meet such requirements.

Following are URLs where you can obtain information on other Texas Instruments products and application solutions:

Products

Amplifiers	amplifier.ti.com
Data Converters	dataconverter.ti.com
DSP	dsp.ti.com
Clocks and Timers	www.ti.com/clocks
Interface	interface.ti.com
Logic	logic.ti.com
Power Mgmt	power.ti.com
Microcontrollers	microcontroller.ti.com
RFID	www.ti-rfid.com
RF/IF and ZigBee® Solutions	www.ti.com/lprf

Applications

Audio	www.ti.com/audio
Automotive	www.ti.com/automotive
Broadband	www.ti.com/broadband
Digital Control	www.ti.com/digitalcontrol
Medical	www.ti.com/medical
Military	www.ti.com/military
Optical Networking	www.ti.com/opticalnetwork
Security	www.ti.com/security
Telephony	www.ti.com/telephony
Video & Imaging	www.ti.com/video
Wireless	www.ti.com/wireless

Mailing Address: Texas Instruments, Post Office Box 655303, Dallas, Texas 75265
Copyright © 2008, Texas Instruments Incorporated