

**TAS5036A**  
**Six Channel Digital Audio PWM Processor**



*Data Manual*

## IMPORTANT NOTICE

Texas Instruments Incorporated and its subsidiaries (TI) reserve the right to make corrections, modifications, enhancements, improvements, and other changes to its products and services at any time and to discontinue any product or service without notice. Customers should obtain the latest relevant information before placing orders and should verify that such information is current and complete. All products are sold subject to TI's terms and conditions of sale supplied at the time of order acknowledgment.

TI warrants performance of its hardware products to the specifications applicable at the time of sale in accordance with TI's standard warranty. Testing and other quality control techniques are used to the extent TI deems necessary to support this warranty. Except where mandated by government requirements, testing of all parameters of each product is not necessarily performed.

TI assumes no liability for applications assistance or customer product design. Customers are responsible for their products and applications using TI components. To minimize the risks associated with customer products and applications, customers should provide adequate design and operating safeguards.

TI does not warrant or represent that any license, either express or implied, is granted under any TI patent right, copyright, mask work right, or other TI intellectual property right relating to any combination, machine, or process in which TI products or services are used. Information published by TI regarding third-party products or services does not constitute a license from TI to use such products or services or a warranty or endorsement thereof. Use of such information may require a license from a third party under the patents or other intellectual property of the third party, or a license from TI under the patents or other intellectual property of TI.

Reproduction of information in TI data books or data sheets is permissible only if reproduction is without alteration and is accompanied by all associated warranties, conditions, limitations, and notices. Reproduction of this information with alteration is an unfair and deceptive business practice. TI is not responsible or liable for such altered documentation.

Resale of TI products or services with statements different from or beyond the parameters stated by TI for that product or service voids all express and any implied warranties for the associated TI product or service and is an unfair and deceptive business practice. TI is not responsible or liable for any such statements.

Following are URLs where you can obtain information on other Texas Instruments products and application solutions:

<b>Products</b>		<b>Applications</b>	
Amplifiers	<a href="http://amplifier.ti.com">amplifier.ti.com</a>	Audio	<a href="http://www.ti.com/audio">www.ti.com/audio</a>
Data Converters	<a href="http://dataconverter.ti.com">dataconverter.ti.com</a>	Automotive	<a href="http://www.ti.com/automotive">www.ti.com/automotive</a>
DSP	<a href="http://dsp.ti.com">dsp.ti.com</a>	Broadband	<a href="http://www.ti.com/broadband">www.ti.com/broadband</a>
Interface	<a href="http://interface.ti.com">interface.ti.com</a>	Digital Control	<a href="http://www.ti.com/digitalcontrol">www.ti.com/digitalcontrol</a>
Logic	<a href="http://logic.ti.com">logic.ti.com</a>	Military	<a href="http://www.ti.com/military">www.ti.com/military</a>
Power Mgmt	<a href="http://power.ti.com">power.ti.com</a>	Optical Networking	<a href="http://www.ti.com/opticalnetwork">www.ti.com/opticalnetwork</a>
Microcontrollers	<a href="http://microcontroller.ti.com">microcontroller.ti.com</a>	Security	<a href="http://www.ti.com/security">www.ti.com/security</a>
		Telephony	<a href="http://www.ti.com/telephony">www.ti.com/telephony</a>
		Video & Imaging	<a href="http://www.ti.com/video">www.ti.com/video</a>
		Wireless	<a href="http://www.ti.com/wireless">www.ti.com/wireless</a>

Mailing Address: Texas Instruments  
Post Office Box 655303, Dallas, Texas 75265

Copyright © 2004, Texas Instruments Incorporated

# Contents

<i>Section</i>	<i>Page</i>
<b>1 Introduction</b> .....	<b>1</b>
1.1 Features .....	1
1.2 Functional Block Diagram .....	2
1.3 Terminal Assignments .....	3
1.4 Ordering Information .....	4
1.5 Terminal Functions .....	4
<b>2 Architecture Overview</b> .....	<b>7</b>
2.1 Clock and Serial Data Interface .....	7
2.1.1 Normal-Speed, Double-Speed, and Quad-Speed Selection .....	7
2.1.2 Clock Master/Slave Mode (M_S) .....	8
2.1.3 Clock Master Mode .....	8
2.1.4 Clock Slave Mode .....	9
2.1.5 PLL External Filter .....	10
2.1.6 DCLK .....	11
2.1.7 Serial Data Interface .....	11
2.2 Reset, Power Down, and Status .....	15
2.2.1 Reset—RESET .....	15
2.2.2 Power Down— $\overline{\text{PDN}}$ .....	16
2.2.3 General Status Register .....	17
2.2.4 Error Status Register .....	17
2.3 Signal Processing .....	18
2.3.1 Volume Control .....	18
2.3.2 Mute .....	19
2.3.3 Auto Mute .....	20
2.3.4 Individual Channel Mute .....	20
2.3.5 De-Emphasis Filter .....	20
2.4 Pulse-Width Modulator (PWM) .....	20
2.4.1 Clipping Indicator .....	21
2.4.2 Error Recovery .....	21
2.4.3 Individual Channel Error Recovery .....	21
2.4.4 PWM DC-Offset Correction .....	22
2.4.5 Interchannel Delay .....	22
2.4.6 ABD Delay .....	22
2.4.7 PWM/H-Bridge and Discrete H-Bridge Driver Interface .....	22
2.5 I <sup>2</sup> C Serial Control Interface .....	22
2.5.1 Single-Byte Write .....	23
2.5.2 Multiple-Byte Write .....	24
2.5.3 Single-Byte Read .....	24
2.5.4 Multiple-Byte Read .....	24
<b>3 Serial Control Interface Register Definitions</b> .....	<b>25</b>
3.1 General Status Register (0x00) .....	25
3.2 Error Status Register (0x01) .....	26
3.3 System Control Register 0 (0x02) .....	26
3.4 System Control Register 1 (0x03) .....	27
3.5 Error Recovery Register (0x04) .....	27
3.6 Automute Delay Register (0x05) .....	28

3.7	DC-Offset Control Registers (0x06–0x0B) .....	28
3.8	Interchannel Delay Registers (0x0C–0x11) .....	28
3.9	ABD Delay Register (0x12) .....	28
3.10	Individual Channel Mute Register (0x19) .....	29
<b>4</b>	<b>System Procedures for Initialization, Changing Data Rates, and Switching Between Master and Slave Modes</b> .....	<b>31</b>
4.1	System Initialization .....	31
4.2	Data Sample Rate .....	32
4.3	Changing Between Master and Slave Modes .....	<b>35</b>
<b>5</b>	<b>Specifications</b> .....	<b>37</b>
5.1	Absolute Maximum Ratings Over Operating Temperature Ranges .....	37
5.2	Recommended Operating Conditions .....	37
5.3	Electrical Characteristics Over Recommended Operating Conditions .....	37
5.3.1	Static Digital Specifications Over Recommended Operating Conditions .....	37
5.3.2	Digital Interpolation Filter and PWM Modulator Over Recommended Operating Conditions (Fs = 48 kHz) .....	37
5.3.3	TAS5036A/TAS5182 System Performance Measured at the Speaker Terminals Over Recommended Operating Conditions (Fs = 48 kHz) .....	38
5.4	Switching Characteristics .....	38
5.4.1	Command Sequence Timing .....	38
5.4.2	Serial Audio Port .....	42
5.4.3	Serial Control Port—I <sup>2</sup> C Operation .....	45
<b>6</b>	<b>Application Information</b> .....	<b>47</b>
6.1	Serial Audio Interface Clock Master and Slave Interface Configuration .....	48
6.1.1	Slave Configuration .....	48
6.1.2	Master Configuration .....	48
<b>7</b>	<b>Mechanical Data</b> .....	<b>49</b>
	<b>Appendix A—Volume Table</b> .....	<b>51</b>

## List of Illustrations

<i>Figure</i>	<i>Title</i>	<i>Page</i>
2-1	Crystal Circuit	9
2-2	PLL External Filter	10
2-3	I <sup>2</sup> S 64-Fs Format	12
2-4	I <sup>2</sup> S 48-Fs Format	12
2-5	Left-Justified 64-Fs Format	13
2-6	Left-Justified 48-Fs Format	13
2-7	Right-Justified 64-Fs Format	14
2-8	Right-Justified 48-Fs Format	14
2-9	DSP Format	15
2-10	Attenuation Curve	19
2-11	De-Emphasis Filter Characteristics	20
2-12	PWM Outputs and H-Bridge Driven in BTL Configuration	22
2-13	Typical I <sup>2</sup> C Sequence	23
2-14	Single-Byte Write Transfer	24
2-15	Multiple-Byte Write Transfer	24
2-16	Single-Byte Read	24
2-17	Multiple-Byte Read	24
4-1	$\overline{\text{RESET}}$ During System Initialization	31
4-2	Extending the I <sup>2</sup> C Write Interval Following a Low-to-High Transition of the $\overline{\text{RESET}}$ Terminal	32
4-3	Changing the Data Sample Rate Using the DBSPD Terminal	33
4-4	Changing the Data Sample Rate Using the I <sup>2</sup> C	33
4-5	Changing the Data Sample Rate With an Unstable MCLK_IN Using the DBSPD Terminal	34
4-6	Changing the Data Sample Rate With an Unstable MCLK_IN Using the I <sup>2</sup> C	35
4-7	Changing Between Master and Slave Clock Mode	36
5-1	$\overline{\text{RESET}}$ Timing	38
5-2	Power-Down and Power-Up Timing— $\overline{\text{RESET}}$ Preceding $\overline{\text{PDN}}$	39
5-3	Power-Down and Power-Up Timing— $\overline{\text{RESET}}$ Following $\overline{\text{PDN}}$	40
5-4	Error Recovery Timing	41
5-5	Mute Timing	41
5-6	Right-Justified, I <sup>2</sup> S, Left-Justified Serial Protocol Timing	42
5-7	Right, Left, and I <sup>2</sup> S Serial Mode Timing Requirement	43
5-8	Serial Audio Ports Master Mode Timing	43
5-9	DSP Serial Port Timing	43
5-10	DSP Serial Port Expanded Timing	44
5-11	DSP Absolute Timing	44
5-12	SCL and SDA Timing	45
5-13	Start and Stop Conditions Timing	45
6-1	Typical TAS5036A Application	47
6-2	TAS5036A Serial Audio Port—Slave Mode Connection Diagram	48
6-3	TAS5036A Serial Audio Port—Master Mode Connection Diagram	48

## List of Tables

<i>Table</i>	<i>Title</i>	<i>Page</i>
2-1	Normal-Speed, Double-Speed, and Quad-Speed Operation .....	8
2-2	Master and Slave Clock Modes .....	10
2-3	LRCLK and MCLK_IN Rates .....	10
2-4	DCLK .....	11
2-5	Supported Word Lengths .....	11
2-6	Device Outputs During Reset .....	16
2-7	Values Set During Reset .....	16
2-8	Device Outputs During Power Down .....	16
2-9	Volume Register .....	19
2-10	De-Emphasis Filter Characteristics .....	20
2-11	Device Outputs During Error Recovery .....	21
3-1	I <sup>2</sup> C Register Map .....	25
3-2	General Status Register (Read Only) .....	25
3-3	Error Status Register .....	26
3-4	System Control Register 0 .....	26
3-5	System Control Register 1 .....	27
3-6	Error Recovery Register .....	27
3-7	Automute Delay Register .....	28
3-8	DC-Offset Control Registers .....	28
3-9	Six Interchannel Delay Registers .....	28
3-10	ABD Delay Register .....	28
3-11	Individual Channel Mute Register .....	29

# 1 Introduction

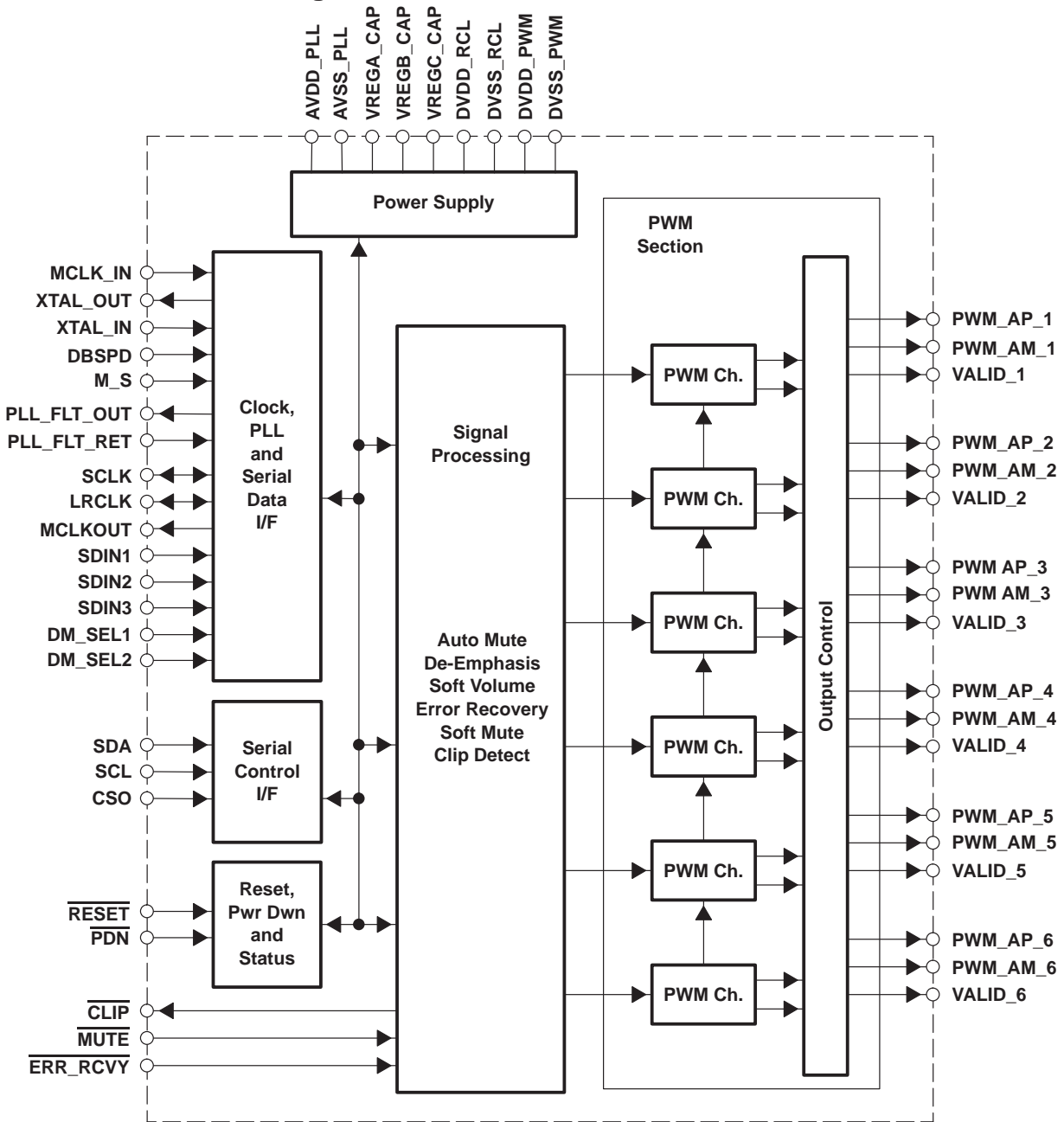
The TAS5036A is an innovative, cost-effective, high-performance 24-bit six-channel digital pulse-width modulator (PWM) based on Equibit™ technology. Combined with a TI PurePath Digital™ audio amplifier power stage, these devices use noise-shaping and sophisticated error-correction algorithms to achieve high power efficiency and high-performance digital audio reproduction. The TAS5036A is designed to drive up to six digital power devices to provide six channels of digital audio amplification. The digital power devices can be six conventional monolithic power stages (such as the TAS5110) or six discrete differential power stages using gate drivers and MOSFETs.

The TAS5036A has six independent volume controls and mute. The device operates in AD and BD modes. This all-digital audio system contains only two analog components in the signal chain—an LC low-pass filter at each speaker terminal—and can provide up to 96-dB SNR at the speaker terminals. The TAS5036A has a wide variety of serial input options including right justified (16-, 20-, or 24-bit), I<sup>2</sup>S (16-, 20-, or 24-bit) left justified, and DSP (16-bit) data formats. The device is fully compatible with AES standard sampling rates of 44.1 kHz, 48 kHz, 88.2 kHz, 96 kHz, 176.4 kHz, and 192 kHz, including de-emphasis for 44.1-kHz and 48-kHz sample rates. The TAS5036A plus the TAS51xx power stage device combination was designed for home theater applications such as DVD minicomponent systems, home theater in a box (HTIB), DVD receiver, A/V receiver, or TV sets.

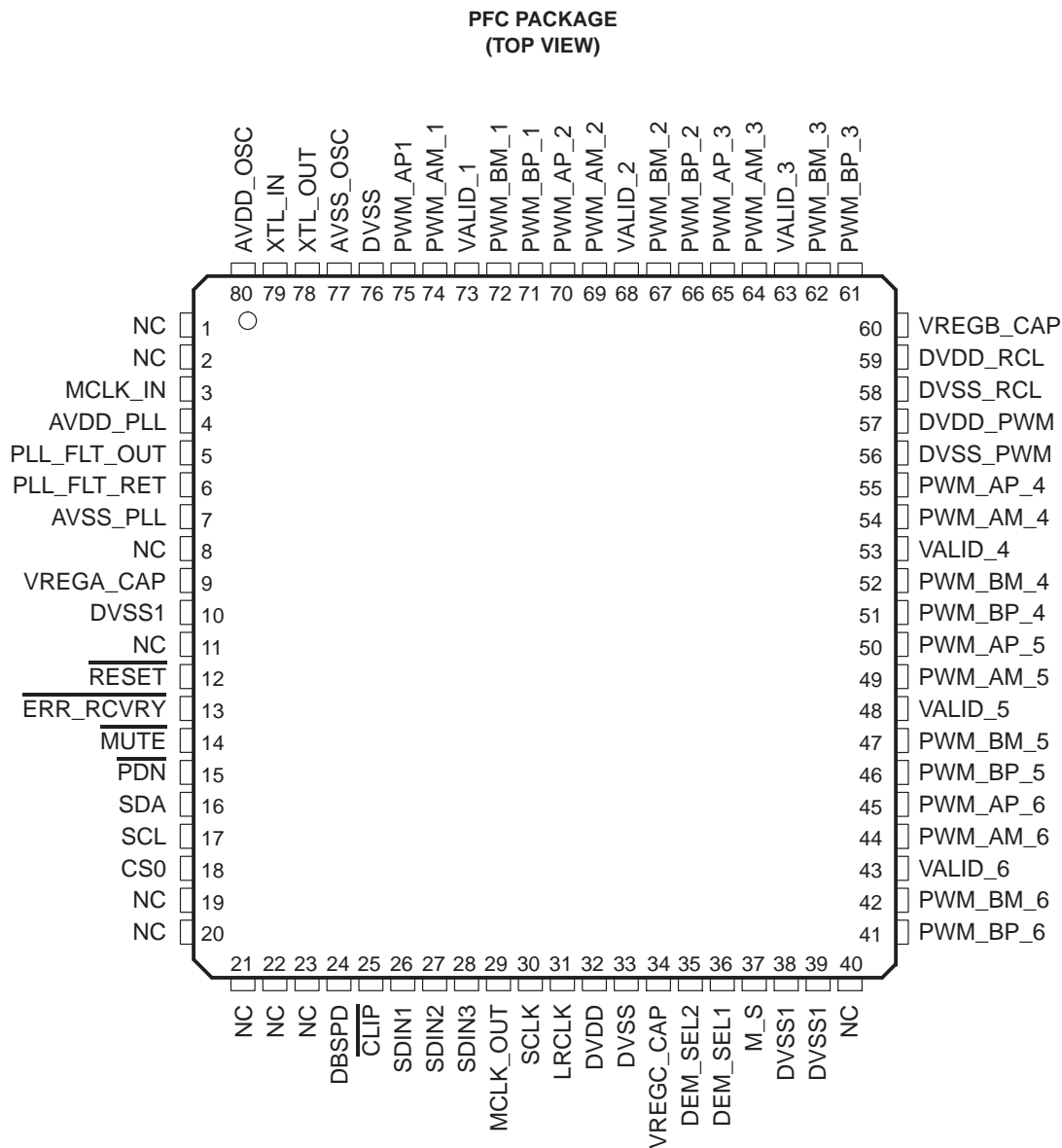
## 1.1 Features

- TI PurePath Digital Audio Amplifier
- High-Quality Audio
  - 100-dB SNR
  - <0.005% THD+N
- Six-Channel Volume Control
  - Patented Soft Volume
  - Patented Soft Mute
- 16-, 20-, or 24-Bit Input Data
- Sampling Rates: 44.1 kHz, 48 kHz, 88.2 kHz, 96 kHz, 176.4 kHz, and 192 kHz
- Supports Master and Slave Modes
- 3.3-V Power Supply Operation
- Economical 80-Pin TQFP Package
- De-Emphasis: 32 kHz, 44.1 kHz, and 48 kHz
- Clock Oscillator Circuit for Master Modes
- Low-Jitter Internal PLL
- Soft Volume and Mute Update

## 1.2 Functional Block Diagram

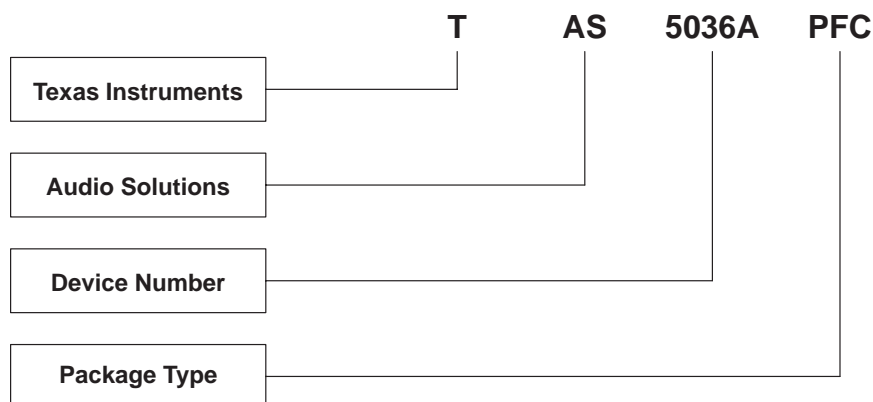


## 1.3 Terminal Assignments



NC – No internal connection

## 1.4 Ordering Information



### AVAILABLE OPTIONS

T <sub>A</sub>	PACKAGE
	PLASTIC 80-PIN TQFP (PFC)
0°C to 70°C	TAS5036APFC

## 1.5 Terminal Functions

TERMINAL NAME	NO.	FUNCTION†	DESCRIPTION
AVDD_OSC	80	P	Analog power supply for internal oscillator cells
AVDD_PLL	4	P	Analog power supply for PLL
AVSS_OSC	77	O	Analog ground for internal oscillator cells
AVSS_PLL	7	P	Analog ground for PLL
CLIP	25	O	Digital clipping indicator, active low
CS0	18	I	I <sup>2</sup> C serial control chip address select input, active high
DBSPD	24	I	Sample rate is double speed (88.2 kHz or 96 kHz), active high
DM_SEL1	36	I	De-emphasis select bit 2, 10 = 48 kHz, 11 = undefined (none)
DM_SEL2	35	I	De-emphasis select bit 1 (0 = none, 01 = 32 kHz, 10 = 44.1 kHz)
DVDD	32	P	Digital power supply
DVDD_PWM	57	P	Digital power supply for PWM
DVDD_RCL	59	P	Digital power supply for reclocker
DVSS	33, 76	P	Digital ground for digital core and most of I/O buffers
DVSS1	10, 38, 39	I/O	Digital ground for digital core and most of I/O buffers
DVSS_PWM	56	P	Digital ground for PWM
DVSS_RCL	58	P	Digital ground for reclocker
ERR_RCVRY	13	I	Error recovery input, active low
LRCLK	31	I/O	Serial audio data left / right clock (sampling rate clock) (input when M_S = 0; output when M_S = 1)
M_S	37	I	Master/slave mode input signal (master = 1, slave = 0)
MCLK_IN	3	I	MCLK input, slave mode (or master / double-speed mode)
MCLK_OUT	29	O	MCLK output buffered system clock output if M_S = 1; otherwise set to 0
MUTE	14	I	Mute input signal, active low (muted signal = 0, normal mode = 1)
N/C	1, 2, 8, 11, 19–23, 40	—	Not connected
PDN	15	I	Power down, active low
PLL_FLT_OUT	5	O	PLL external filter

† I = input; O = output; I/O = input/output; P = power

TERMINAL NAME	NO.	FUNCTION†	DESCRIPTION
PLL_FLT_RET	6	O	PLL external filter (internally connected to AVSS_PLL)
PWM_AM_1	74	O	PWM 1 output (differential -); {positive H-bridge side}
PWM_AM_2	69	O	PWM 2 output (differential -); {positive H-bridge side}
PWM_AM_3	64	O	PWM 3 output (differential -); {positive H-bridge side}
PWM_AM_4	54	O	PWM 4 output (differential -); {positive H-bridge side}
PWM_AM_5	49	O	PWM 5 output (differential -); {positive H-bridge side}
PWM_AM_6	44	O	PWM 6 output (differential -); {positive H-bridge side}
PWM_AP_1	75	O	PWM 1 output (differential +); {positive H-bridge side}
PWM_AP_2	70	O	PWM 2 output (differential +); {positive H-bridge side}
PWM_AP_3	65	O	PWM 3 output (differential +); {positive H-bridge side}
PWM_AP_4	55	O	PWM 4 output (differential +); {positive H-bridge side}
PWM_AP_5	50	O	PWM 5 output (differential +); {positive H-bridge side}
PWM_AP_6	45	O	PWM 6 output (differential +); {positive H-bridge side}
PWM_BM_1	72	O	PWM 1 output (differential -); {negative H-bridge side}
PWM_BM_2	67	O	PWM 2 output (differential -); {negative H-bridge side}
PWM_BM_3	62	O	PWM 3 output (differential -); {negative H-bridge side}
PWM_BM_4	52	O	PWM 4 output (differential -); {negative H-bridge side}
PWM_BM_5	47	O	PWM 5 output (differential -); {negative H-bridge side}
PWM_BM_6	42	O	PWM 6 output (differential -); {negative H-bridge side}
PWM_BP_1	71	O	PWM 1 output (differential +); {negative H-bridge side}
PWM_BP_2	66	O	PWM 2 output (differential +); {negative H-bridge side}
PWM_BP_3	61	O	PWM 3 output (differential +); {negative H-bridge side}
PWM_BP_4	51	O	PWM 4 output (differential +); {negative H-bridge side}
PWM_BP_5	46	O	PWM 5 output (differential +); {negative H-bridge side}
PWM_BP_6	41	O	PWM 6 output (differential +); {negative H-bridge side}
RESET	12	I	System reset input, active low
SCL	17	I	I <sup>2</sup> C serial control clock input
SCLK	30	I/O	Serial audio data clock (shift clock)
SDA	16	I/O	I <sup>2</sup> C serial control data input/ output
SDIN1	26	I	Serial audio data 1 input
SDIN2	27	I	Serial audio data 2 input
SDIN3	28	I	Serial audio data 3 input
VALID_1	73	O	Output indicating validity of PWM outputs, channel 1, active high
VALID_2	68	O	Output indicating validity of PWM outputs, channel 2, active high
VALID_3	63	O	Output indicating validity of PWM outputs, channel 3, active high
VALID_4	53	O	Output indicating validity of PWM outputs, channel 4, active high
VALID_5	48	O	Output indicating validity of PWM outputs, channel 5, active high
VALID_6	43	O	Output indicating validity of PWM outputs, channel 6, active high
VREGA_CAP	9	P	Voltage regulator capacitor
VREGB_CAP	60	P	Voltage regulator capacitor
VREGC_CAP	34	P	Voltage regulator capacitor
XTL_IN	79	I	Crystal or TTL level clock input
XTL_OUT	78	O	Crystal output (not for external usage)

† I = input; O = output; I/O = input/output; P = power



## 2 Architecture Overview

The TAS5036A is composed of six functional elements:

- Clock, PLL, and serial data interface (I<sup>2</sup>S)
- Reset/power-down circuitry
- Serial control interface (I<sup>2</sup>C)
- Signal processing unit
- Pulse width modulator (PWM)
- Power supply

### 2.1 Clock and Serial Data Interface

The TAS5036A clock and serial data interface contain an input serial data slave and the clock master/slave interface. The serial data slave interface receives information from a digital source such as a DSP, S/PDIF receiver, analog-to-digital converter (ADC), digital audio processor (DAP), or other serial bus master. The serial data interface has three serial data inputs that can accept up to six channels of data at data sample rates of 32 kHz, 44.1 kHz, 48 kHz, 88.2 kHz, 96 kHz, 176.4 kHz, or 192 kHz. The serial data interfaces support left justified and right justified for 16, 20, and 24 bits. In addition, the serial data interface supports the DSP protocol for 16 bits and the I<sup>2</sup>S protocol for 24 bits.

The TAS5036A can function as a receiver or a generator for the MCLK\_IN (master clock), SCLK (shift clock), and LRCLK (left/right clock) signals that control the flow of data on the three serial data interfaces. The TAS5036A is a clock master when it generates these clocks and is a clock slave when it receives these clocks.

The TAS5036A is a synchronous design that relies upon the master clock to provide a reference clock for all of the device operations and communication via the I<sup>2</sup>C. When operating as a slave, this reference clock is MCLK\_IN. When operating as a master, the reference clock is either a TTL clock input to XTAL\_IN or a crystal attached across XTAL\_IN and XTAL\_OUT.

The clock and serial data interface has two control parameters, data sample rate and clock master or slave.

#### 2.1.1 Normal-Speed, Double-Speed, and Quad-Speed Selection

The data sample rate is selected through a terminal (DBSPD) or the serial control register 0 (0x02). The data sample rate control sets the frequencies of the SCLK and LRCLK in clock slave mode and the output frequencies of SCLK and LRCLK in clock master mode. There are three data rates: normal speed, double speed, and quad speed.

Normal-speed mode supports data rates of 32 kHz, 44.1 kHz, and 48 kHz. Normal speed is supported in the master and slave modes. Double-speed mode is used to support sampling rates of 88.2 kHz and 96 kHz. Double speed is supported in master and slave modes. Quad-speed mode is used to support sampling rates of 176.4 kHz and 192 kHz.

The PWM is placed in normal speed by setting the DBSPD terminal low or by setting the normal mode bits in the system control register 0 (0x02) through the serial control interface. The PWM is placed in double speed mode by setting the DBSPD terminal high or by setting the double speed bits in the system control register. Quad-speed mode is supported. In slave mode it is auto detected, and in master mode it is invoked using the I<sup>2</sup>C serial control interface. In slave mode, if the TAS5036A is not in double speed mode, quad-speed mode is automatically detected when MCLK\_IN is 128Fs. In master mode, the PWM is placed in quad-speed mode by setting the quad-speed bit in the system control register through the serial control interface.

If the master clock is well behaved during the frequency transition (the high or low clock periods are not less than 20 ns) then a simple speed selection is simply performed by setting the DBSPD terminal or the serial control register.

When the sample rate is changed, the TAS5036A temporarily suspends processing, places the PWM outputs in a hard mute (PWM P outputs low; PWM M outputs high and all VALID signals low), resets all internal processes, and suspends all I<sup>2</sup>C operations. The TAS5036A then performs a partial re-initialization and noiselessly restarts the PWM output. The TAS5036A preserves all control register settings throughout this sequence. If desired, the sample rate change can be performed while mute is active to provide a completely silent transition. The timing of this control sequence is shown in Section 4.

If the master clock input can encounter high clock or low clock period of less than 20 ns while the data rates are changing, then  $\overline{\text{RESET}}$  should be applied during this time. There are two recommended control procedures for this case, depending upon whether the DBSPD terminal or the serial control interface is used. These control sequences are shown in Section 4.

**Table 2–1. Normal-Speed, Double-Speed, and Quad-Speed Operation**

QUAD-SPEED CONTROL REGISTER BIT	DBSPD TERMINAL OR CONTROL REGISTER BIT	MODE	SPEED SELECTION
0	0	Master or slave	Normal speed
0	1	Master or slave	Double speed
1	0	Master or slave	Quad speed
0	0	Slave	Quad speed if MCLK_IN = 128Fs
1	1	Master or slave	Error

### 2.1.2 Clock Master/Slave Mode (M\_S)

Clock master and slave mode can be invoked using the M\_S (master slave) terminal.

This terminal specifies the default mode that is set immediately following a device RESET. The serial data interface setting permits the clock generation mode to be changed during normal operation.

The transition to master mode occurs following a  $\overline{\text{RESET}}$  when M\_S terminal has a logic high applied.

The transition to slave mode occurs following a  $\overline{\text{RESET}}$  when M\_S terminal has a logic low applied.

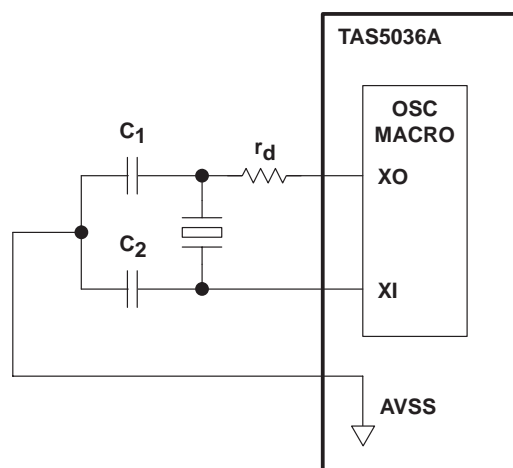
### 2.1.3 Clock Master Mode

When M\_S = 1 following a RESET, the TAS5036A provides the master clock, SCLK, and LRCLK to the rest of the system. In the master mode, the TAS5036A outputs the audio system clocks MCLK\_OUT, SCLK, and LRCLK.

The TAS5036A device generates these clocks plus its internal clocks from the internal phase-locked loop (PLL). The reference clock for the PLL can be provided by either an external clock source (attached to XTAL\_IN) or a crystal (connected across terminals XTAL\_IN and XTAL\_OUT). The external source attached to MCLK\_IN is 256 times (128 in quad mode) the data sample rate (Fs). The SCLK frequency is 64 times the data sample rate and the LRCLK frequency of 48 times the data sample rate is not supported in the master mode. The LRCLK frequency is the data sample rate.

### 2.1.3.1 Crystal Type and Circuit

In clock master mode the TAS5036A can derive the MCLKOUT, SCLK, and LRCLK from a crystal. In this case, the TAS5036A uses a parallel-mode fundamental crystal. This crystal is connected to the TAS5036A as shown in Figure 2–1.



$r_d$  = Drive Level Control Resistor – Crystal Vendor Specified  
 $C_L$  = Crystal Load Capacitance (Capacitance of Circuitry Between the Two Terminals of the Crystal)  
 $C_L = (C_1 \times C_2) / (C_1 + C_2) + C_S$  (Where  $C_S$  = Board Stray Capacitance  $\approx 3$  pF)  
 Example: Vendor-Recommended  $C_L = 18$  pF,  $C_S = 3$  pF  $\geq C_1 = C_2 = 2 \times (18 - 3) = 30$  pF

Figure 2–1. Crystal Circuit

### 2.1.4 Clock Slave Mode

In the slave mode ( $M\_S = 0$ ), the master clock, LRCLK, and SCLK are inputs to the TAS5036A. The master clock is supplied through the MCLK\_IN terminal.

As in the master mode, the TAS5036A device develops its internal timing from the internal phase-locked loop (PLL). The reference clock for the PLL is provided by the input to the MCLK\_IN terminal. This input is at a frequency of 256 times (128 in quad mode) the input data rate. The SCLK frequency is 48 or 64 times the data sample rate. The LRCLK frequency is the data sample rate. The TAS5036A does not require any specific phase relationship between SRCLK and MCLK\_IN, but there must be synchronization. The TAS5036A monitors the relationship between MCLK, SCLK, and LRCLK. The TAS5036A detects if any of the three clocks is absent, if the LRCLK rate changes more than 10 MCLK cycles since the last device reset or clock error, or if the MCLK frequency is changing substantially with respect to the PLL frequency.

When a clock error is detected, the TAS5036A performs a clock error management sequence.

The clock error management sequence temporarily suspends processing, places the PWM outputs in a hard mute (PWM\_P outputs are low; PWM\_M outputs are high, and all VALID signals are low), resets all internal processes, sets the volumes to mute, and suspends all I<sup>2</sup>C operations.

When the error condition is corrected, the TAS5036A exits the clock error sequence by performing a partial re-initialization, noiselessly restarting the PWM output, and ramping the volume up to the level specified in the volume control registers. This sequence is performed over a 60-ms interval. The TAS5036A preserves all control register settings that were set prior to the clock interruption.

If a clock error occurs while the  $\overline{ERR\_RCVRY}$  terminal is asserted (low), the TAS5036A performs the error management sequence up to the unmute sequence. In this case, the volume remains at full attenuation with the PWM output at a 50% duty cycle. The volume can be restored from this latched mute state by triggering a mute/unmute sequence by asserting and releasing  $\overline{MUTE}$  either by using the terminal, the system control register 0x01 D4, or the individual channel mute register D5–D0.

Alternatively, the TAS5036A can be prevented from entering the latched mute state following a clock error when the `ERR_RCVRY` terminal or the error recovery I<sup>2</sup>C command (register 0x03 bit D2) is active by writing 0x7F to the individual error recovery register (0x04) and 0x84 to the feature enable register (0x1F).

**Table 2–2. Master and Slave Clock Modes**

DESCRIPTION	M_S	DBSPD	XTL_IN (MHz) <sup>†</sup>	MCLK_IN (MHz) <sup>‡</sup>	SCLK (MHz) <sup>☆</sup>	LRCLK (kHz) <sup>¶</sup>	MCLK_OUT (MHz) <sup>#</sup>
Internal PLL, master, normal speed	1	0	8.192	-	2.048	32	8.192
Internal PLL, master, normal speed	1	0	11.2896	-	2.8224	44.1	11.2896
Internal PLL, master, normal speed	1	0	12.288	-	3.072	48	12.288
Internal PLL, master, double speed	1	1	-	22.5792 <sup>§</sup>	5.6448	88.2	22.5792
Internal PLL, master, double speed	1	1	-	24.576 <sup>§</sup>	6.144	96	24.576
Internal PLL, master, quad speed	1	0	-	22.5792	11.2896	176.4	22.5792
Internal PLL, master, quad speed	1	0	-	24.576	12.288	192	24.576
Internal PLL, slave, normal speed	0	0	-	8.192 <sup>§</sup>	2.0484	32	Digital GND
Internal PLL, slave, normal speed	0	0	-	11.2896 <sup>§</sup>	2.8224	44.1	Digital GND
Internal PLL, slave, normal speed	0	0	-	12.288 <sup>§</sup>	3.072	48	Digital GND
Internal PLL, slave, double speed	0	1	-	22.5792	5.6448	88.2	Digital GND
Internal PLL, slave, double speed	0	1	-	24.576 <sup>§</sup>	6.144	96	Digital GND
Internal PLL, slave, quad speed <sup>  </sup>	0	0	-	22.5792 <sup>§</sup>	11.2896	176	Digital GND
Internal PLL, slave, quad speed <sup>  </sup>	0	0	-	24.576 <sup>§</sup>	12.288	192	Digital GND

<sup>†</sup> A crystal oscillator is connected to XTL\_IN.

<sup>‡</sup> MCLK\_IN tied low when input to XTL\_IN is provided; XTL\_IN tied low when MCLK\_IN\_IN is provided.

<sup>§</sup> External MCLK\_IN connected to MCLK\_IN\_IN input

<sup>¶</sup> SCLK and LRCLK are outputs when M\_S = 1, and inputs when M\_S = 0.

<sup>#</sup> MCLK\_OUT is driven low when M\_S = 0.

<sup>||</sup> Quad-speed mode is detected automatically.

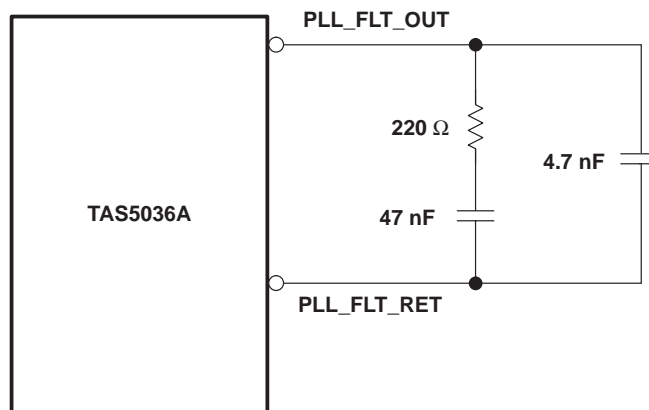
<sup>☆</sup> SCLK can be 48 or 64 times F<sub>s</sub>

**Table 2–3. LRCLK and MCLK\_IN Rates**

	NORMAL SPEED (kHz)				DOUBLE SPEED (kHz)				QUAD SPEED (kHz)		
LRCLK	1 F <sub>s</sub>	32	44.1	48	1 F <sub>s</sub>	64	88.2	96	1 F <sub>s</sub>	176.4	192
MCLK_IN	256 F <sub>s</sub>	8,192	11,289.6	12,288	256 F <sub>s</sub>	16,384	22,579.2	24,576	128 F <sub>s</sub>	22,579.2	24,576

### 2.1.5 PLL External Filter

In the TAS5036A, a low-jitter PLL produces the internal timing (when in master mode), the master clock, SCLK, and LRCLK. Connections for the PLL external filter are provided through PLL\_FLT\_OUT and PLL\_FLT\_RET as shown in Figure 2–2.



**Figure 2–2. PLL External Filter**

## 2.1.6 DCLK

DCLK is the internal high-frequency clock that is produced by the PLL circuitry from MCLK. The TAS5036A uses the DCLK to control all internal operations. DCLK is 8 times the speed of MCLK in normal speed mode, 4 times MCLK in double speed, and 2 times MCLK in quad speed. With respect to the I<sup>2</sup>C addressable registers, DCLK clock cycles are used to specify interchannel delay and to detect when the MCLK frequency is drifting. Table 2–4 DCLK shows the relationship between sample rate, MCLK, and DCLK.

**Table 2–4. DCLK**

Fs (kHz)	MCLK (MHz)	DCLK (MHz)	DCLK Period (ns)
32	8.1920	65.5360	15.3
44.1	11.2896	90.3168	11.1
48	12.2880	98.3040	10.2
88	22.5280	90.1120	11.1
96	24.5760	98.3040	10.2
192	49.1520	98.3040	10.2

## 2.1.7 Serial Data Interface

The TAS5036A operates as a slave only/receive only serial data interface in all modes. The TAS5036A has three PCM serial data interfaces to accept six channels of digital data through the SDIN1, SDIN2, SDIN3 inputs. The serial audio data is in MSB-first, 2s-complement format.

The serial data interfaces of the TAS5036A can be configured in right-justified, I<sup>2</sup>S, left-justified, or DSP modes. This interface supports 32-kHz, 44.1-kHz, 48-kHz, 88-kHz, 96-kHz, 176.4-kHz, and 192-kHz data sample rates. The serial data interface format is specified using the data interface control register. The supported word lengths are shown in Table 2–5.

During normal operating conditions if the serial data interface settings change state, an error recovery sequence is initiated.

**Table 2–5. Supported Word Lengths**

DATA MODES	WORD LENGTHS	MOD2	MOD1	MOD0
Right justified, MSB first	16	0	0	0
Right justified, MSB first	20	0	0	1
Right justified, MSB first	24	0	1	0
I <sup>2</sup> S	16	0	1	1
I <sup>2</sup> S	20	1	0	0
I <sup>2</sup> S	24	1	0	1
Left justified, MSB first	24	1	1	0
DSP frame	16	1	1	1

### 2.1.7.1 I<sup>2</sup>S Timing

I<sup>2</sup>S timing uses LRCLK to define when the data being transmitted is for the left channel or the right channel. LRCLK is low for the left channel and high for the right channel. A bit clock running at 48 or 64 times Fs is used to clock in the data. There is a delay of one bit clock from the time the LRCLK signal changes state to the first bit of data on the data lines. The data is written MSB first and is valid on the rising edge of the bit clock. The TAS5036A masks unused trailing data bit positions. Master mode only supports a 64 times Fs bit clock.

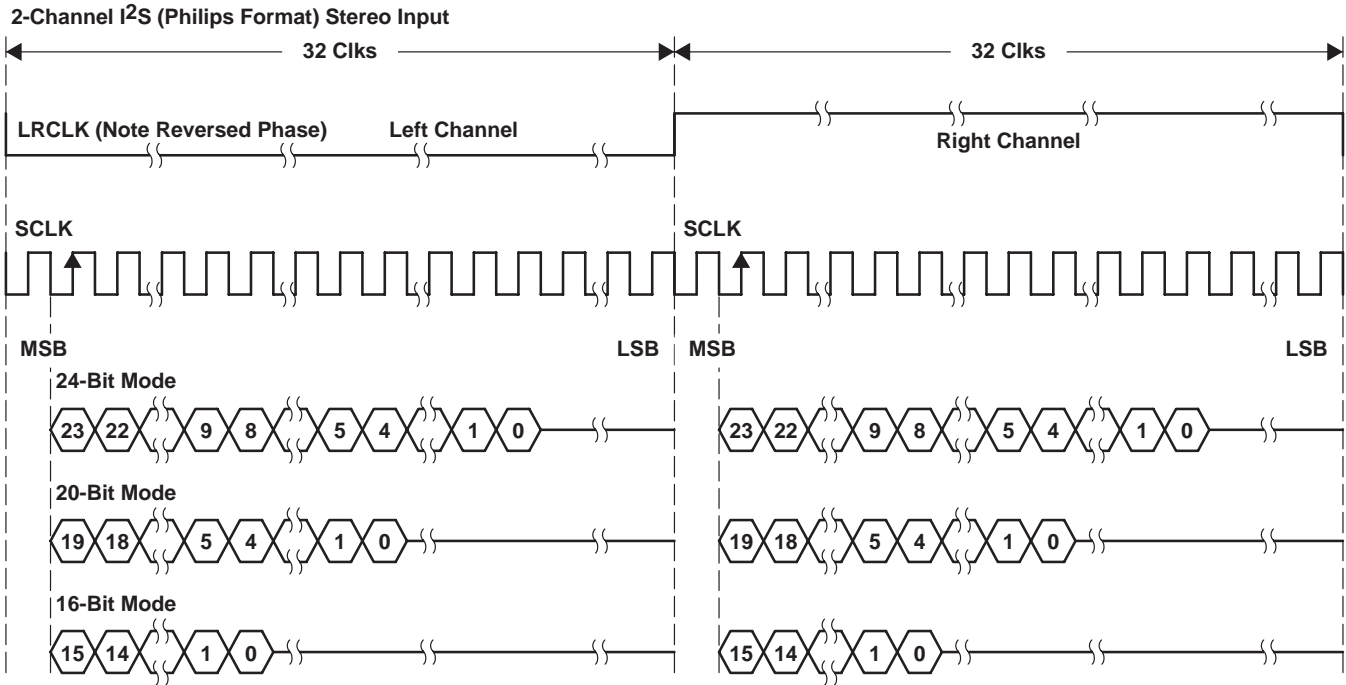


Figure 2-3. I<sup>2</sup>S 64-Fs Format

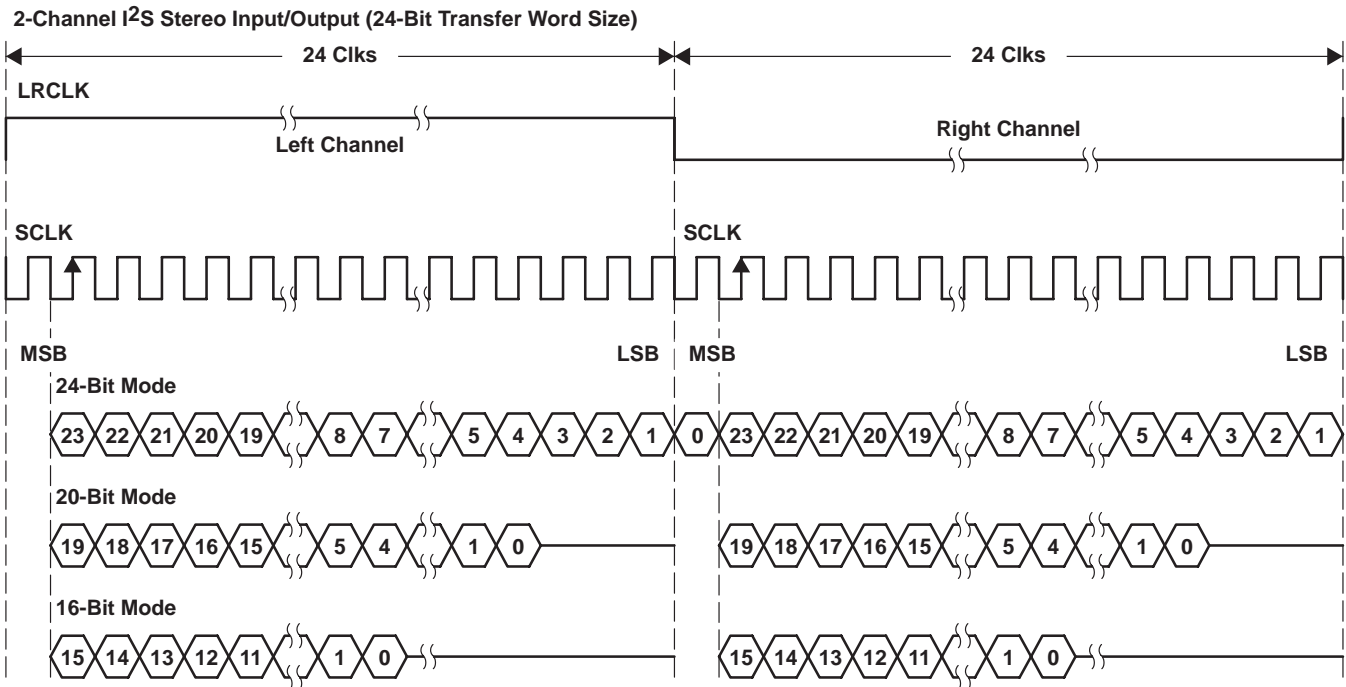
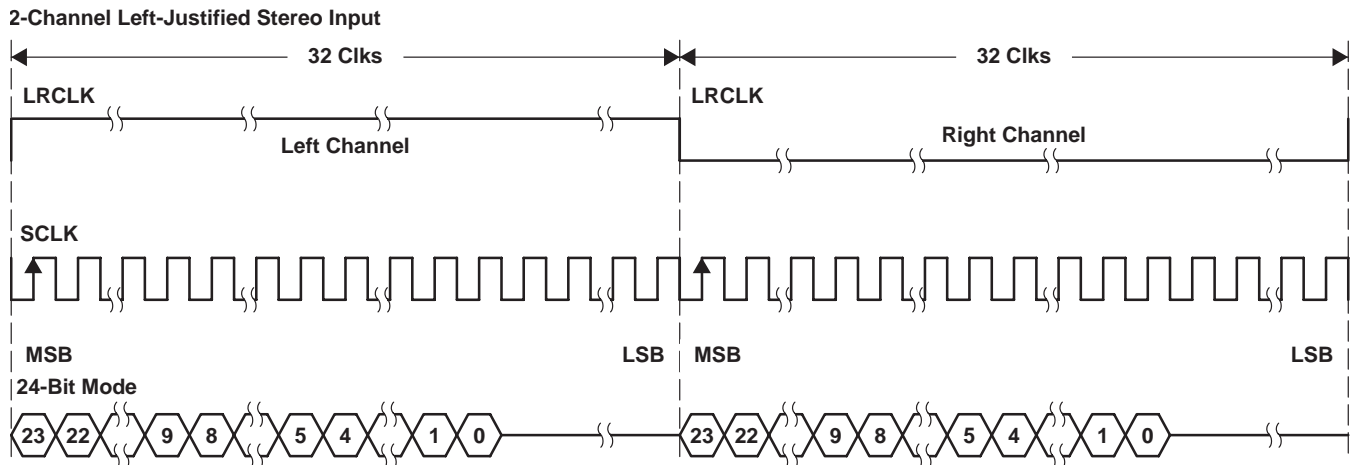


Figure 2-4. I<sup>2</sup>S 48-Fs Format

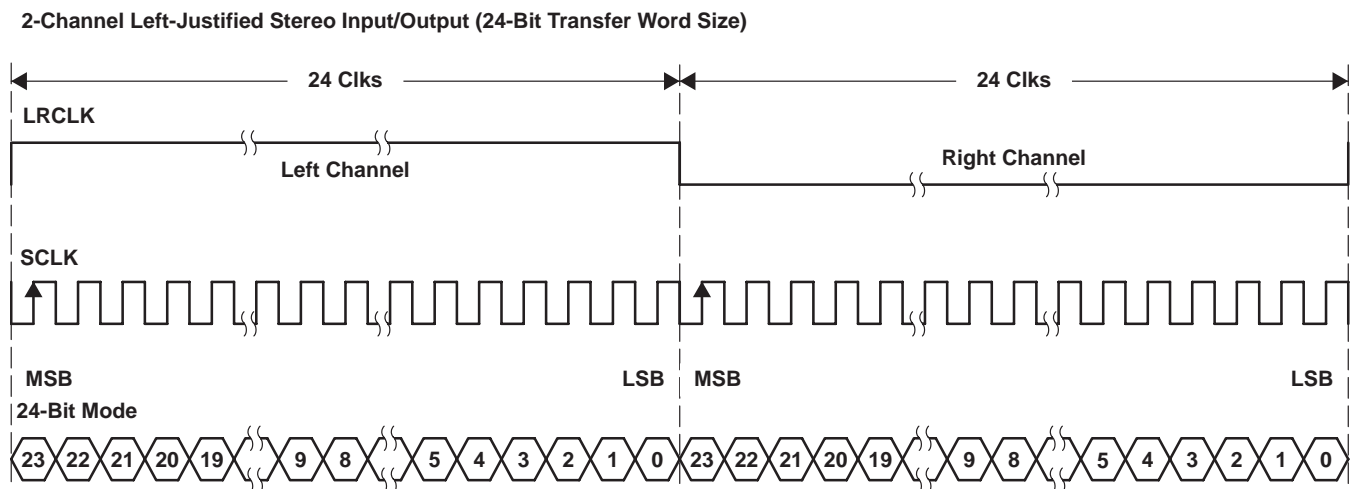
### 2.1.7.2 Left-Justified Timing

Left-justified (LJ) timing uses LRCLK to define when the data being transmitted is for the left channel and the right channel. LRCLK is high for the left channel and low for the right channel. A bit clock running at 48 or 64 times  $F_s$  is used to clock in the data. The first bit of data appears on the data lines at the same time that LRCLK toggles. The data is written MSB first and is valid on the rising edge of the bit clock. The TAS5036A masks unused trailing data bit positions. Master mode only supports a 64 times  $F_s$  bit clock.



NOTE: All data presented in 2s complement form with MSB first.

**Figure 2-5. Left-Justified 64-Fs Format**

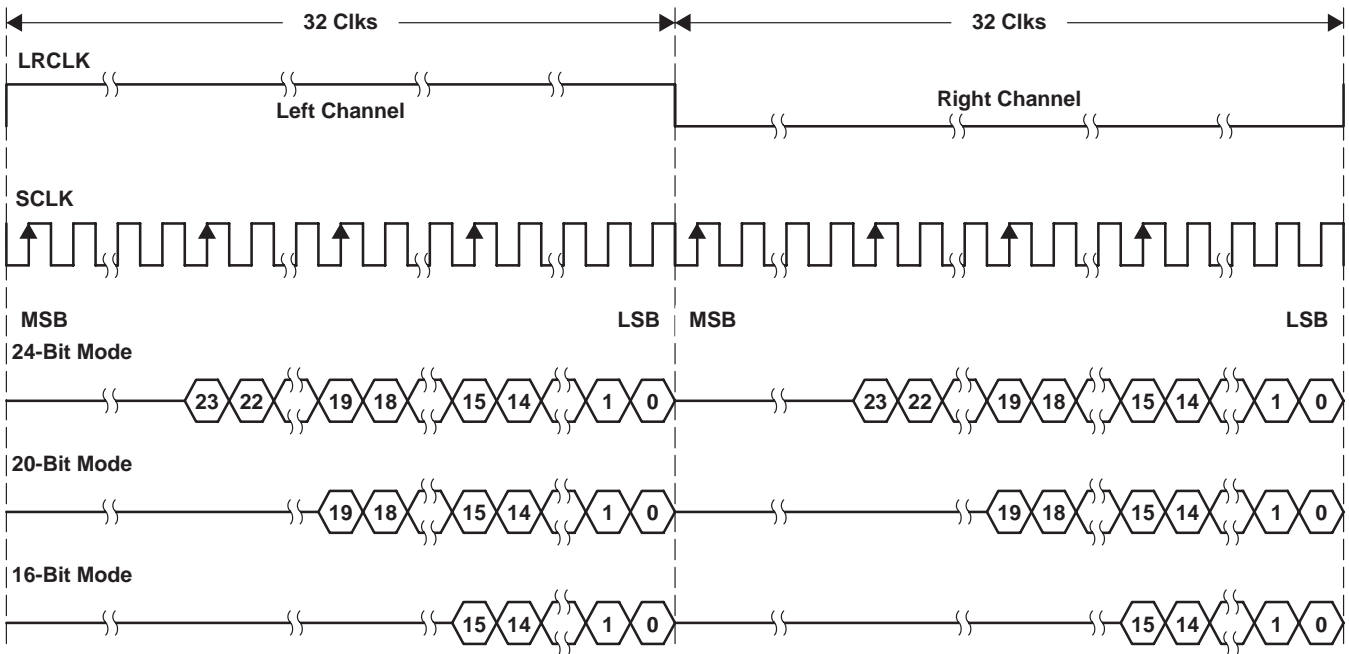


**Figure 2-6. Left-Justified 48-Fs Format**

### 2.1.7.3 Right-Justified Timing

Right-justified (RJ) timing uses LRCLK to define when the data being transmitted is for the left channel and the right channel. LRCLK is high for the left channel and low for the right channel. A bit clock running at 48 or 64 times  $F_s$  is used to clock in the data. The first bit of data appears following the eighth bit-clock period (for 24-bit data) after LRCLK toggles. In RJ mode, the last bit clock before LRCLK transitions always clocks the LSB of data. The data is written MSB first and is valid on the rising edge of the bit clock. The TAS5036A masks unused leading data bit positions. Master mode only supports a 64 times  $F_s$  bit clock.

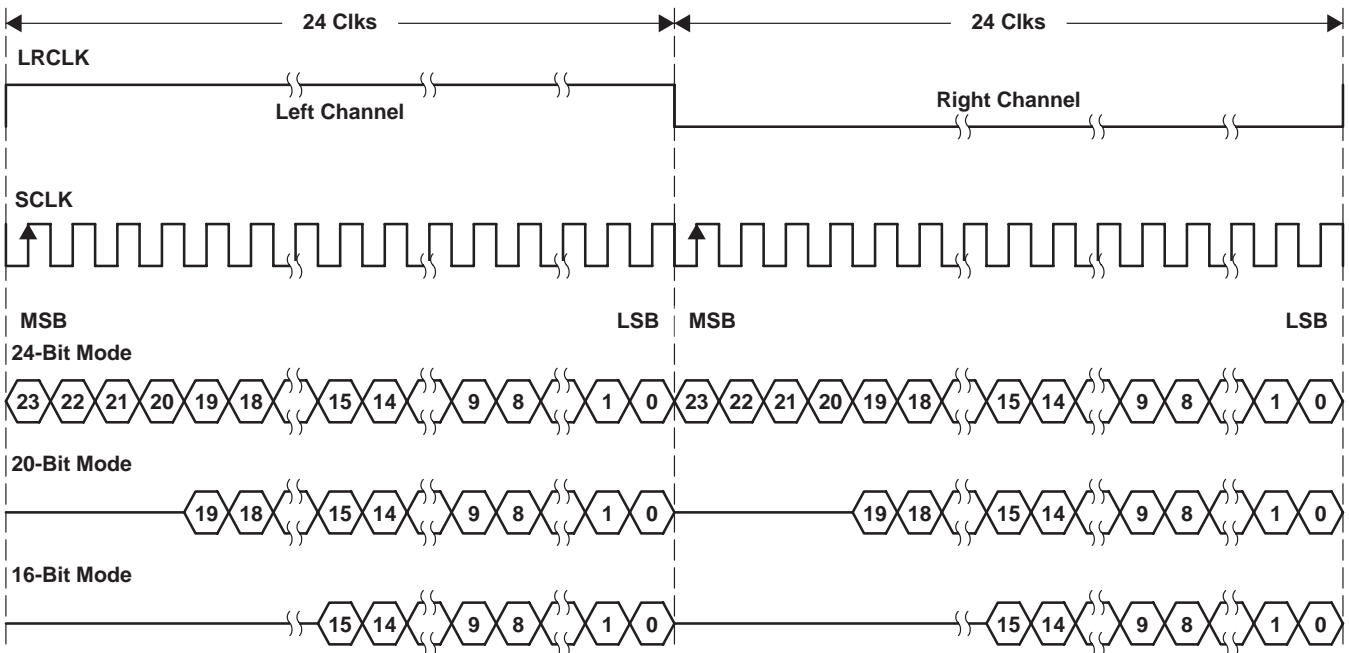
2-Channel Right-Justified (Sony Format) Stereo Input



NOTE: All data presented in 2s complement form with MSB first.

Figure 2-7. Right-Justified 64-Fs Format

2-Channel Right-Justified Stereo Input/Output (24-Bit Transfer Word Size)



NOTE: All data presented in 2s complement form with MSB first.

Figure 2-8. Right-Justified 48-Fs Format

### 2.1.7.4 DSP Mode Timing

DSP mode timing uses LRCLK to define when data is to be transmitted for both channels. A bit clock running at  $64 \times F_s$  is used to clock in the data. The first bit of the left channel data appears on the data lines following the LRCLK transition. The data is written MSB first and is valid on the rising edge of the bit clock. The TAS5036A masks unused trailing data bit positions.

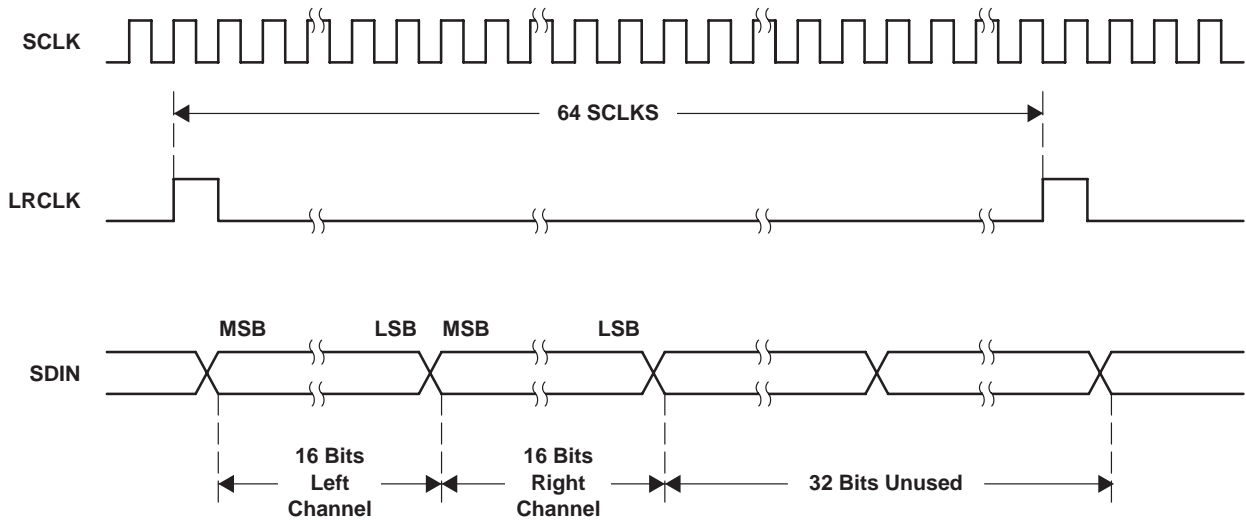


Figure 2-9. DSP Format

## 2.2 Reset, Power Down, and Status

The reset, power down, and status circuitry provides the necessary controls to bring the TAS5036A to the initial inactive condition, achieve low-power standby, and report system status.

### 2.2.1 Reset— $\overline{\text{RESET}}$

The TAS5036A is placed in the reset mode by setting the  $\overline{\text{RESET}}$  terminal low.

$\overline{\text{RESET}}$  is an asynchronous control signal that restores the TAS5036A to its default conditions, sets the valid 1–6 outputs low, and places the PWM in the hard mute state. Volume is immediately set to full attenuation (there is no ramp down).

As long as the  $\overline{\text{RESET}}$  terminal is held low, the device is in the reset state. During reset, all I<sup>2</sup>C and serial data bus operations are ignored. Table 2-6 shows the device output signals while  $\overline{\text{RESET}}$  is active.

Upon the release of  $\overline{\text{RESET}}$ , if POWER\_DWN is high, the system performs a 4-ms to 5-ms device initialization and then ramps the volume up to 0 db using a soft volume update sequence. If MCLK\_IN is not active when  $\overline{\text{RESET}}$  is released high, then a 4-ms to 5-ms initialization sequence is produced once MCLK\_IN becomes active.

During device initialization all controls are reset to their initial states. Table 2-7 shows the control settings that are changed during initialization.

$\overline{\text{RESET}}$  should be applied during power-up initialization or while changing the master slave clock states.

**Table 2–6. Device Outputs During Reset**

SIGNAL	MODE	SIGNAL STATE
Valid 1–Valid 6	All	Low
PWM_P outputs	All	Low
PWM_M outputs	All	Low
MCLK_OUT	All	Low
SCLK	Master	Low
SCLK	Slave	Signal input
LRCLK	Master	Low
LRCLK	Slave	Signal input
SDA	All	Signal input
CLIP	All	High

Because the  $\overline{\text{RESET}}$  is an asynchronous control signal, small clicks and pops can be produced during the application (the leading edge) of this control. However, when  $\overline{\text{RESET}}$  is released, the transition from the hard mute state back to normal operation is performed synchronously using a quiet sequence.

If a completely quiet reset sequence is desired,  $\overline{\text{MUTE}}$  should be applied before applying  $\overline{\text{RESET}}$ .

**Table 2–7. Values Set During Reset**

CONTROL	SETTING
Volume	0 dB
MCLK_IN frequency	256
Master/slave mode	M_S terminal state
Automute	Enabled
De-emphasis	None
DC offset	0
Interchannel delay	Each channel is set to default value

### 2.2.2 Power Down— $\overline{\text{PDN}}$

The TAS5036A can be placed into the power-down mode by holding the  $\overline{\text{PDN}}$  terminal low. When the power-down mode is entered, both the PLL and the oscillator are shut down. Volume is immediately set to full attenuation (there is no ramp down). The valid 1–6 outputs are immediately asserted low and the PWM outputs are placed in the hard mute state.  $\overline{\text{PDN}}$  initiates device power down without clock inputs. As long as the  $\overline{\text{PDN}}$  terminal is held low, the device is in the power-down (hard mute) state.

During power down, all I<sup>2</sup>C and serial data bus operations are ignored. Table 2–8 shows the device output signals while  $\overline{\text{PDN}}$  is active.

**Table 2–8. Device Outputs During Power Down**

SIGNAL	MODE	SIGNAL STATE
Valid 1–Valid 6	All	Low
PWM_P outputs	All	Low
PWM_M outputs	All	Low
MCLK_OUT	All	Low
SCLK	Master	Low
SCLK	Slave	Signal input
LRCLK	Master	Low
LRCLK	Slave	Signal input
SDA	All	Signal input
CLIP	All	High

To place the device in total power-down mode, both  $\overline{\text{RESET}}$  and power-down modes must be enabled. Prior to bringing  $\overline{\text{PDN}}$  high,  $\overline{\text{RESET}}$  must be brought low for a minimum of 50 ns.

Because  $\overline{\text{PDN}}$  is an asynchronous control signal, small clicks and pops can be produced during the application (the leading edge) of this control. However, when  $\overline{\text{PDN}}$  is released, the transition from the hard mute state back to normal operation is performed synchronously using a quiet sequence.

If a completely quiet reset sequence is desired,  $\overline{\text{MUTE}}$  should be applied before applying  $\overline{\text{PDN}}$ .

### 2.2.3 General Status Register

The general status register is a read-only register. This register provides an indication when a volume update is in progress or one of the channels is inactive. The device id can be read using this register.

**Volume update is in progress**—Whenever a volume change is in progress due to a volume update command or mute, this status bit is high.

**Device identification code**—The device identification code 1 0 0 1 1 is displayed.

**No internal errors (all valid signals are high)**—When there are no internal errors in the TAS5036A and all outputs are valid, this status bit is high.

**One or more valid signals are inactive**—If low, one or more channels of the TAS5036A are not outputting data. The valid signals for those channels are inactive.

This can be produced by one of these causes:

- One or more of the clock signals are in error
- $\overline{\text{ERROR}}$  recover is active (low)
- The automute has silenced one or more channels that are receiving 0 inputs
- $\overline{\text{MUTE}}$  has been set
- Volume control has been set to full attenuation

If this signal is high, the TAS5036A is outputting data on all channels.

### 2.2.4 Error Status Register

The error status register indicates historical information on control signal changes and clock errors. This register latches these indications when they occur. The indications are cleared by writing 00h to the register.

This register is intended as a diagnostic tool to be used only when the system is not operating correctly. This is because the error status bits are set when the data rate, serial data interface format, or master/slave mode is changed. As a result, this register indicates an error condition even though the system is operating normally. This register should only be used while diagnosing transient error conditions.

Any clock error or control signal terminal change which occurs since the last time the error status register was cleared is displayed. In using this register, the first step is to initialize the device and verify that all of the clock signals are active. Then this register should be cleared by writing 00h. After this point, the register indicates any errors or control signal changes.

This register indicates an error condition by a high for the following conditions:

- Fs error
- A control terminal change has occurred (M\_S, DBLSPD)
- LRCLK error
- MCLK\_IN count error
- DCLK phase error with respect to MCLK\_IN
- MCLK\_IN phase error with respect to DCLK
- PWM timing error

If all bits of the register are low, no errors have occurred and no control terminals changed.

There is no one-to-one correspondence of clock error indication to a system error condition. A particular system error can be indicated by one or more error indications in this register. The system error conditions and the reported errors are as follows:

There is no correct number of MCLKs per LRCLK:

- Fs error has occurred
- LRCLK error
- MCLK\_IN count error

LRCLK is absent:

- LRCLK error

MCLK is the wrong frequency, changing frequency, or absent:

- DCLK phase error with respect to MCLK
- MCLK phase error with respect to DCLK
- PWM timing error

SCLK is the wrong frequency or absent

- SCLK error

## 2.3 Signal Processing

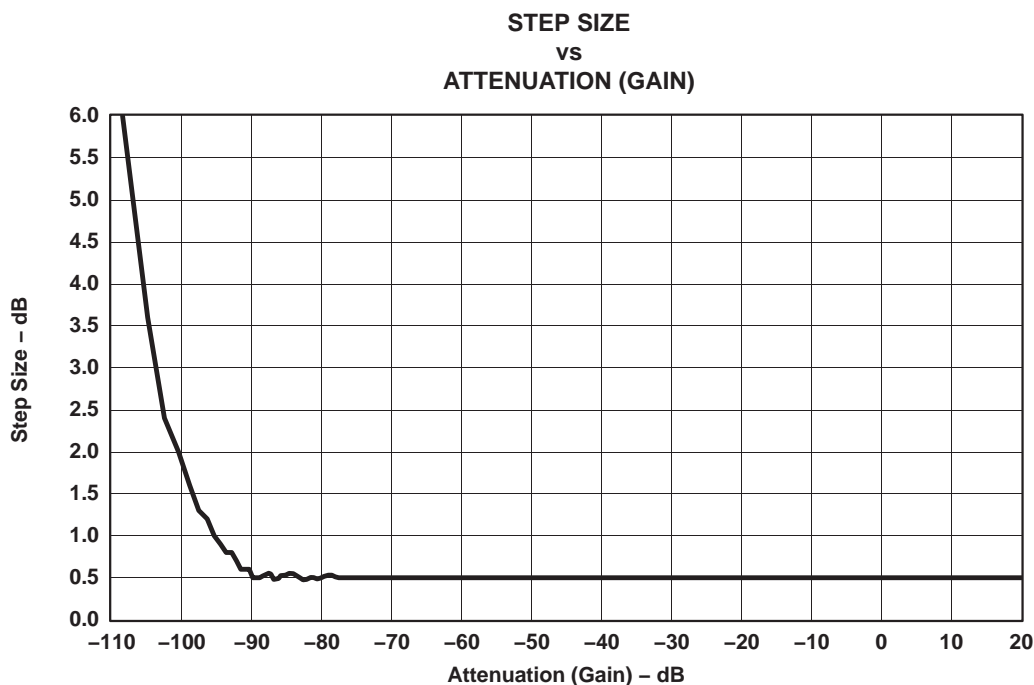
This section contains the signal processing functions that are contained in the TAS5036A. The signal processing is performed using a high-speed 24-bit signal processing architecture. The TAS5036A has the following signal processing features:

- Individual channel soft volume with a range of 24 dB to –114 dB plus mute
- Soft mute
- Automute
- 50- $\mu$ s/15- $\mu$ s de-emphasis filter supported in the sampling rates 32 kHz, 44.1 kHz, and 48 kHz

### 2.3.1 Volume Control

The gain of each output can be adjusted by a soft digital volume control for each channel. Volume adjustments are performed using a soft gain update s-curve, which is approximated using a second-order filter fit. The curve fit is performed over a transition interval between 41 ms and 65 ms.

The volume of each channel can be adjusted from mute to –114 dB to 24 dB in 0.5 dB steps. Because of the numerical representation that is used to control the volume, at very low volume levels the step size increases for gains that are less than –96 dB. The default volume setting following power up or reset is 0 dB for all channels. The step size adjustment is linear down to approximately –90 dB, see Figure 2–10.



**Figure 2-10. Attenuation Curve**

The volume control format for each channel is expressed in 8 bits. The volume for each channel is set by writing 8 bits via the serial control interface. The MSB bit is written first as in the bit position 0 (LSB position).

The volume for each channel can be set using a single- or multiple-address write operation to the volume control register via the serial control interface. Changing the volume of all six channels requires that 6 registers be updated.

To coordinate the volume adjustment of multiple channels simultaneously, the TAS5036A performs a delayed volume update upon receiving a volume change command. Following the completion of the register volume write operations, the TAS5036A waits for 5 ms for another volume command to be given. If no volume command is issued in that period of time, the TAS5036A starts adjusting the volume of the channels that received volume settings.

While a volume update is being performed, the system status register indicates that the update is in progress. During the update, all subsequent volume control setting requests that are sent to the TAS5036A are received and stored as a single next value for a subsequent update. If more than one volume setting request is sent, only the last is retained.

**Table 2-9. Volume Register**

VOLUME REGISTER							
D7	D6	D5	D4	D3	D2	D1	D0
Vol Bit 7	Vol Bit 6	Vol Bit 5	Vol Bit 4	Vol Bit 3	Vol Bit 2	Vol Bit 1	Vol Bit 0

### 2.3.2 Mute

The application of mute ramps the volume from any setting to the noiseless hard-mute state. There are two methods in which the TAS5036A can be placed into mute. The TAS5036A is placed in the noiseless mute when the  $\overline{\text{MUTE}}$  terminal is asserted low for a minimum of 3 MCLK\_IN cycles. Alternatively, the mute mode can be initiated by setting the mute bit in the system control register through the serial control interface. The TAS5036A is held in mute state as long as the terminal is low or I<sup>2</sup>C mute setting is active. This command uses quiet entry and exit sequences to and from the hard-mute state.

If an error recovery (described in the PWM section) occurs after a mute request has been received, the device returns from error recovery with the channel volume set as specified by the mute command.

### 2.3.3 Auto Mute

Automute is an automatic sequence that can be enabled or disabled via the serial control interface. The default for this control is enabled. When enabled, the PWM automutes an individual channel when a channel receives from 5 ms to 50 ms of consecutive zeros. This time interval can be selectable using the automute delay register. The default interval is 5 ms. This duration is independent of the sample rate. The automute state is exited when two consecutive samples of nonzero data are received. The TAS5036A exit from automute is performed quickly and preserves all music information.

This mode uses the valid low to provide a low-noise floor while maintaining a short start-up time. Noise free entry and exit is achieved by using the PWM quiet start and stop sequences.

### 2.3.4 Individual Channel Mute

Individual channel mute is invoked through the serial interface. Individual channel mute permits each channel of the TAS5036A to be individually muted and unmuted. The operation that is performed is identical to the mute operation; however, it is performed on a per-channel basis. A TAS5036A channel is held in the mute state as long as the serial interface mute setting for that channel is set.

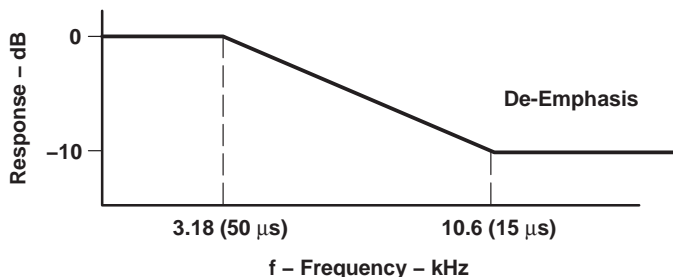
### 2.3.5 De-Emphasis Filter

For audio sources that have been pre-emphasized, a precision 50- $\mu$ s/15- $\mu$ s de-emphasis filter is provided to support the sampling rates of 32 kHz, 44.1 kHz, and 48 kHz. See Figure 2–11 for a graph showing the de-emphasis filtering characteristics. De-emphasis is set using two bits in the system control register.

**Table 2–10. De-Emphasis Filter Characteristics**

DEM_SEL2 (MSB)	DEM_SEL1	DESCRIPTION
0	0	De-emphasis disabled
0	1	De-emphasis enabled for $F_s = 48$ kHz
1	0	De-emphasis enabled for $F_s = 44.1$ kHz
1	1	De-emphasis enabled for $F_s = 32$ kHz

Following the change of state of the de-emphasis bits, the PWM outputs go into the soft mute state. After 128 LRCLK periods for initialization, the PWM outputs are driven to the normal (unmuted) mode.



**Figure 2–11. De-Emphasis Filter Characteristics**

## 2.4 Pulse-Width Modulator (PWM)

The TAS5036A contains six channels of high performance digital Equibit PWM modulators that are designed to drive switching output stages (back ends) in both single-ended (SE) and H-bridge (bridge tied load) configuration. The TAS5036A device uses noise shaping and sophisticated error correction algorithms to achieve high power efficiency and high-performance digital audio reproduction.

The PWM provides six pseudodifferential outputs to drive six monolithic power stages (such as TAS5110) or six discrete differential power stages using gate drivers (such as the TAS5182) and MOSFETs in single-ended or bridged configurations. The TAS5036A also provides a high-performance differential output that can be used to drive an external analog headphone amplifier.

### 2.4.1 Clipping Indicator

The clipping output is designed to indicate clipping. When any of the six PWM outputs exceeds the maximum allowable amplitude, the clipping indicator is asserted. The clipping indicator is cleared every 10 ms.

### 2.4.2 Error Recovery

Error recovery is used to provide error management and to permit the PWM output to be reset while preserving all intervolume, interchannel delay, dc offsets, and the other internal settings. Error recovery is initiated by bringing the  $\overline{\text{ERR\_RCVRY}}$  terminal low for a minimum 5 MCLK\_IN cycles or by setting the error recovery bit in control register 1. Error recovery is a level-sensitive signal.

The device also performs an error recovery automatically:

- When the speed configuration is changed to normal, double, or quad speed
- Following a change in the serial data bus interface configuration

When  $\overline{\text{ERR\_RCVRY}}$  is brought low, all valid signals go low, and the PWM\_P and PWM\_M outputs go low. If there are any pending speed configurations, these changes are then performed. When  $\overline{\text{ERR\_RCVRY}}$  is brought high, a delay of 4 ms to 5 ms is performed before the system starts the output re-initialization sequence. After the initialization time, the TAS5036A begins normal operation. During error recovery, all controls and device settings that were not updated are maintained in their current configurations.

To permit error recovery to be used to provide TAS5100 error management and recovery, the delay between the start of (falling edge) error recovery and the falling edge of valid 1 through valid 6 is selectable. This delay can be selected to be either 6  $\mu\text{s}$  or 47  $\mu\text{s}$ .

During error recovery all serial data bus operations are ignored. At the conclusion of the sequence, the error recovery register bit is returned to the normal operation state. Table 2–11 shows the device output signal states during error recovery.

**Table 2–11. Device Outputs During Error Recovery**

SIGNAL	MODE	SIGNAL STATE
Valid 1–Valid 6	All	Low
PWM_P outputs	All	Low
PWM_M outputs	All	Low
MCLK_OUT	All	Low
SCLK	Master	Low
SCLK	Slave	Signal input
LRCLK	Master	Low
LRCLK	Slave	Signal input
SDA	All	Signal input
$\overline{\text{CLIP}}$	All	High

The transitions are done using a quiet entrance and exit sequence to prevent pops and clicks.

### 2.4.3 Individual Channel Error Recovery

Individual channel error recovery is used to provide error management and to permit the PWM output to be turned off. Error recovery is initiated by setting one or more of the six error recovery bits in the error recovery register to low.

While the error recover bits are brought low, the valid signals go to the low state. When the error recovery bits are brought high, a delay of 4 ms to 5 ms occurs before the channels are returned to normal operation.

The delay between the falling edge of the error recover bit and the falling edge of valid 1 through valid 6 is selectable. This delay can be selected to be either 6  $\mu\text{s}$  or 47  $\mu\text{s}$ .

The TAS5036A controls the relative timing of the pseudo-differential drive control signals plus the valid signal to minimize the production of system noise during error recovery operations. The transitions to valid low and valid high are done using an almost quiet entrance and exit sequence to prevent pops and clicks.

### 2.4.4 PWM DC-Offset Correction

An 8-bit value can be programmed to each of the six PWM offset correction registers to correct for any offset present in the output stages. The offset correction is divided into 256 intervals with a total offset correction of  $\pm 1.56\%$  of full scale. The default value is zero correction represented by 00h. These values can be changed at any time through the serial control interface.

### 2.4.5 Interchannel Delay

An 8-bit value can be programmed to each of the six PWM interchannel delay registers to add a delay per channel from 0 to 255 clock cycles. The delays correspond to cycles of the high-speed internal clock, DCLK. Each subsequent channel has a default value that is N DCLKs larger than the preceding channel. The default values are 0 for the first channel and 76 for each successive channel.

These values can be updated upon power up through the serial control interface. This delay is generated in the PWM block with the appropriate control signals generated in the CTL block.

These values can be changed at any time through the serial control interface.

### 2.4.6 ABD Delay

A 5-bit value is used to delay the A PWM signals with respect to B PWM signals. The value is the same for all channels. It can be programmed from 0 to 31 DCLK clock cycles. The default value is 17 DCLK clock cycles (01011). These values can be changed at any time through the serial control interface.

**NOTE:**

The performance of a PurePath Digital™ amplifier system is optimized by setting the PWM timing based upon the type of back-end device that is used and the layout. These values are set during initialization using the I<sup>2</sup>C serial interface.

### 2.4.7 PWM/H-Bridge and Discrete H-Bridge Driver Interface

The TAS5036A provides six PWM outputs, which are designed to drive switching output stages (back-ends) in both single-ended (SE) and H-bridge (bridge-tied load) configuration. The back ends can be monolithic power stages (such as the TAS5110) or six discrete differential power stages using gate drivers (such as the TAS55182) and MOSFETs in single-ended or bridged configurations.

The TAS5110 device is optimized for bridge-tied load (BTL) configurations. These devices require a pure differential PWM signal with a third signal (VALID) to control the MUTE state. In the MUTE state, the TAS5110 OUTA and OUTB are both low.

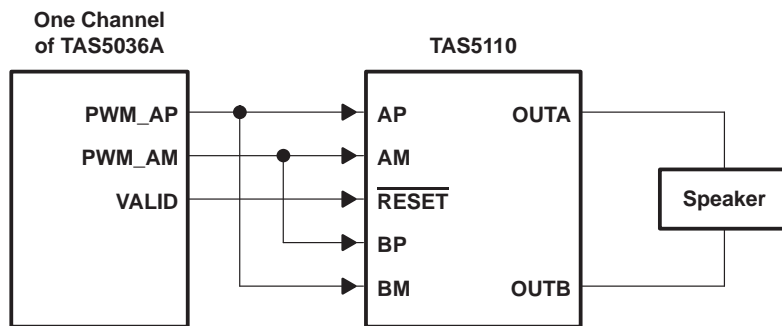


Figure 2–12. PWM Outputs and H-Bridge Driven in BTL Configuration

## 2.5 I<sup>2</sup>C Serial Control Interface

MCLK must be active for the TAS5036A to support I<sup>2</sup>C bus transactions. The TAS5036A has a bidirectional serial control interface that is compatible with the I<sup>2</sup>C (Inter IC) bus protocol and supports both 100-kbps and 400-kbps data transfer rates for single- and multiple-byte write and read operations. This is a slave-only device that does not support a multi-master bus environment or wait state insertion. The control interface is used to program the registers of the device and to read device status.

PurePath Digital is a trademark of Texas Instruments.

The TAS5036A supports the standard-mode I<sup>2</sup>C bus operation (100 kHz maximum) and the fast I<sup>2</sup>C bus operation (400 kHz maximum). The TAS5036A performs all I<sup>2</sup>C operations without I<sup>2</sup>C wait cycles.

The I<sup>2</sup>C bus employs two signals, SDA (data) and SCL (clock), to communicate between integrated circuits in a system. Data is transferred on the bus serially one bit at a time. The address and data are transferred in byte (8 bit) format with the most significant bit (MSB) transferred first. In addition, each byte transferred on the bus is acknowledged by the receiving device with an acknowledge bit. Each transfer operation begins with the master device driving a start condition on the bus and ends with the master device driving a stop condition on the bus. The bus uses transitions on the data terminal (SDA) while the clock is high to indicate start and stop conditions. A high-to-low transition on SDA indicates a start, and a low-to-high transition indicates a stop. Normal data bit transitions must occur within the low time of the clock period. These conditions are shown in Figure 2–13. The master generates the 7-bit slave address and the read/write (R/W) bit to open communication with another device and then waits for an acknowledge condition. The TAS5036A holds SDA low during acknowledge clock period to indicate an acknowledgement. When this occurs, the master transmits the next byte of the sequence. Each device is addressed by a unique 7-bit slave address plus R/W bit (1 byte). All compatible devices share the same signals via a bidirectional bus using a wired-AND connection. An I<sup>2</sup>C external pullup resistor must be used for the SDA and SCL signals to set the high level for the bus.

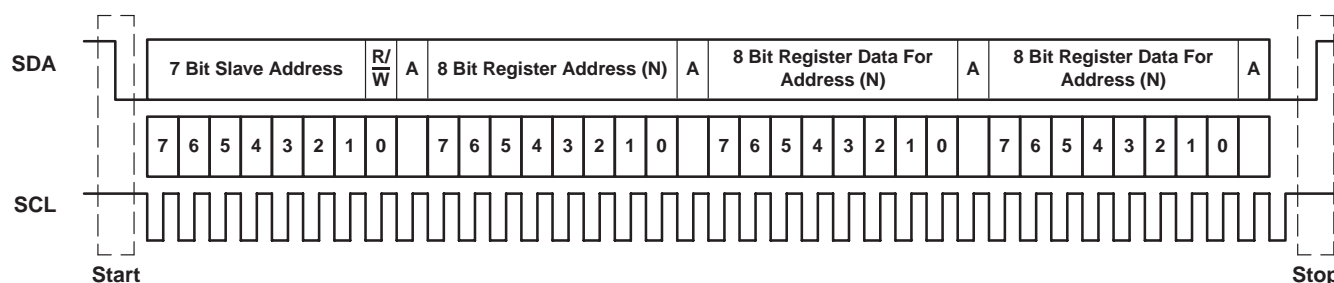


Figure 2–13. Typical I<sup>2</sup>C Sequence

There are no limits on the number of bytes that can be transmitted between start and stop conditions. When the last word transfers, the master generates a stop condition to release the bus. A generic data transfer sequence is also shown in Figure 2–13.

The 7-bit address for the TAS5036A is 001101X, where X is a programmable address bit. Using the CS0 terminal on the device, the LSB address bit is programmable to permit two devices to be used in a system. These two addresses are licensed I<sup>2</sup>C addresses and do not conflict with other licensed I<sup>2</sup>C audio devices. To communicate with the TAS5036A, the I<sup>2</sup>C master uses 0011010 if CS0 = 0 and 0011011 if CS0 = 1. In addition to the 7-bit device address, an 8-bit register address is used to direct communication to the proper register location within the device interface.

Read and write operations to the TAS5036A can be done using single-byte or multiple-byte data transfers.

### 2.5.1 Single-Byte Write

As shown in Figure 2–14, a single-byte data write transfer begins with the master device transmitting a start condition followed by the I<sup>2</sup>C device address and the read/write bit. The read/write bit determines the direction of the data transfer. For a write data transfer, the read/write bit is 0. After receiving the correct I<sup>2</sup>C device address and the read/write bit, the TAS5036A device responds with an acknowledge bit. Next, the master transmits the address byte or bytes corresponding to the TAS5036A internal memory address being accessed. After receiving the address byte, the TAS5036A again responds with an acknowledge bit. Next, the master device transmits the data byte to be written to the memory address being accessed. After receiving the data byte, the TAS5036A again responds with an acknowledge bit. Finally, the master device transmits a stop condition to complete the single-byte data write transfer.

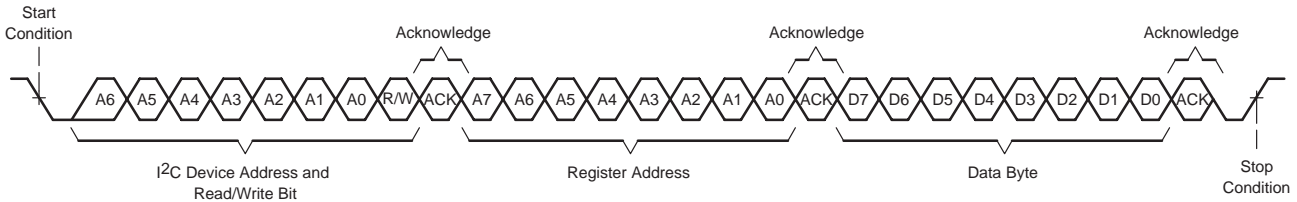


Figure 2–14. Single-Byte Write Transfer

### 2.5.2 Multiple-Byte Write

A multiple-byte data write transfer is identical to a single-byte data write transfer except that multiple data bytes are transmitted by the master device to TAS5036A as shown in Figure 2–15. After receiving each data byte, the TAS5036A responds with an acknowledge bit.

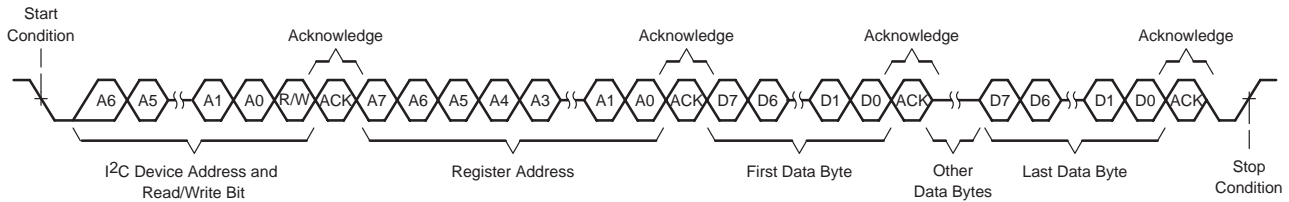


Figure 2–15. Multiple-Byte Write Transfer

### 2.5.3 Single-Byte Read

As shown in Figure 2–16, a single-byte data read transfer begins with the master device transmitting a start condition followed by the I2C device address and the read/write bit. For the data read transfer, a write followed by a read are actually done. Initially, a write is done to transfer the address byte or bytes of the internal memory address to be read. As a result, the read/write bit is 0. After receiving the TAS5036A address and the read/write bit, the TAS5036A responds with an acknowledge bit. Also, after sending the internal memory address byte or bytes, the master device transmits another start condition followed by the TAS5036A address and the read/write bit again. This time the read/write bit is a 1 indicating a read transfer. After receiving the TAS5036A address and the read/write bit, the TAS5036A again responds with an acknowledge bit. Next, the TAS5036A transmits the data byte from the memory address being read. After receiving the data byte, the master device transmits a not acknowledge followed by a stop condition to complete the single-byte data read transfer.

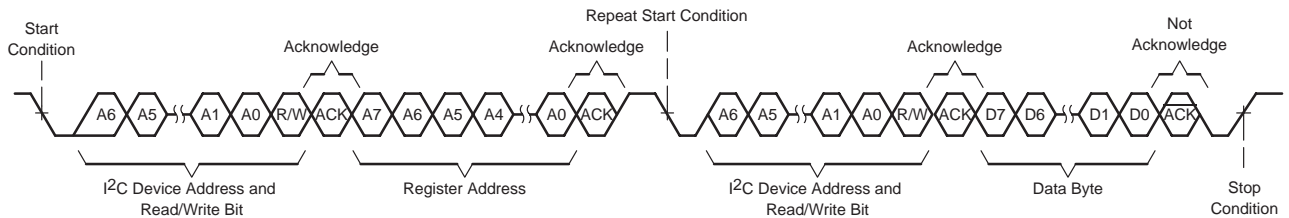


Figure 2–16. Single-Byte Read

### 2.5.4 Multiple-Byte Read

A multiple-byte data read transfer is identical to a single-byte data read transfer except that multiple data bytes are transmitted by the TAS5036A to the master device as shown in Figure 2–17. Except for the last data byte, the master device responds with an acknowledge bit after receiving each data byte.

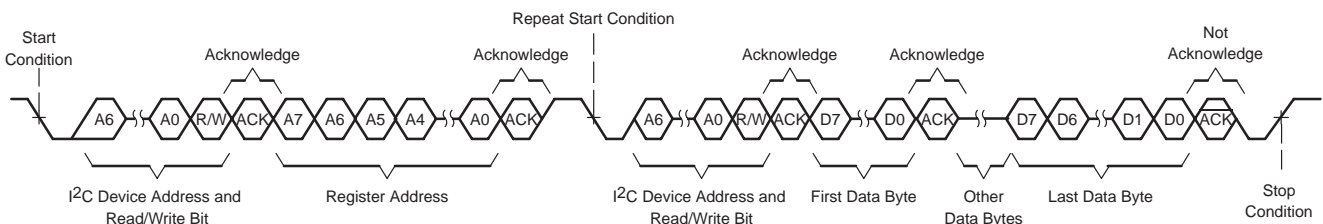


Figure 2–17. Multiple-Byte Read

### 3 Serial Control Interface Register Definitions

Table 3–1 shows the register map for the TAS5036A. Default values in this section are in bold.

**Table 3–1. I<sup>2</sup>C Register Map**

ADDR HEX	DESCRIPTION
00	General status register
01	Error status register
02	System control register 0
03	System control register 1
04	Error recovery register
05	Automute delay
06	DC-offset control register channel 1
07	DC-offset control register channel 2
08	DC-offset control register channel 3
09	DC-offset control register channel 4
0A	DC-offset control register channel 5
0B	DC-offset control register channel 6
0C	Interchannel delay register channel 1
0D	Interchannel delay register channel 2
0E	Interchannel delay register channel 3
0F	Interchannel delay register channel 4
10	Interchannel delay register channel 5
11	Interchannel delay register channel 6
12	ABD delay register
13	Volume control register channel 1
14	Volume control register channel 2
15	Volume control register channel 3
16	Volume control register channel 4
17	Volume control register channel 5
18	Volume control register channel 6
19	Individual channel mute

The volume table is contained in Appendix A.

Default values are shown in bold in the following tables.

#### 3.1 General Status Register (0x00)

**Table 3–2. General Status Register (Read Only)**

D7	D6	D5	D4	D3	D2	D1	D0	FUNCTION
<b>0</b>	-	-	-	-	-	-	-	No volume update is in progress.
1	-	-	-	-	-	-	-	Volume update is in progress.
-	<b>0</b>	-	-	-	-	-	-	Always 0
-	-	<b>1</b>	<b>0</b>	<b>0</b>	<b>1</b>	<b>1</b>	-	Device identification code
-	-	-	-	-	-	-	0	Any valid signal is inactive (see status register, 0x03) (see Note 1).
-	-	-	-	-	-	-	<b>1</b>	No internal errors (all valid signals are high)

NOTE 1: This bit is reset automatically when one or more channels are active.

### 3.2 Error Status Register (0x01)

Table 3–3. Error Status Register

D7	D6	D5	D4	D3	D2	D1	D0	FUNCTION
1	-	-	-	-	-	-	-	FS error has occurred
-	1	-	-	-	-	-	-	Control pin change has occurred
-	-	-	1	-	-	-	-	LRCLK error
-	-	-	-	1	-	-	-	MCLK_IN count error
-	-	-	-	-	1	-	-	DCLK phase error with respect to MCLK_IN
-	-	-	-	-	-	1	-	MCLK_IN phase error with respect to DCLK
-	-	-	-	-	-	-	1	PWM timing error
0	0	0	0	0	0	0	0	No errors—no control pins changed (see Note 1)

NOTE 1: Write 00h to clear error indications in error status register.

### 3.3 System Control Register 0 (0x02)

Table 3–4. System Control Register 0

D7	D6	D5	D4	D3	D2	D1	D0	FUNCTION
0	0	-	-	-	-	-	-	Normal mode (in slave mode—quad speed detected if MCLK_IN = 128 Fs)
0	1	-	-	-	-	-	-	Double speed
1	0	-	-	-	-	-	-	Quad speed
1	1	-	-	-	-	-	-	Illegal
-	-	0	-	-	-	-	-	Use de-emphasis pin controls
-	-	1	-	-	-	-	-	Use de-emphasis I <sup>2</sup> C controls
-	-	-	0	0	-	-	-	No de-emphasis
-	-	-	0	1	-	-	-	De-emphasis for Fs = 32 kHz
-	-	-	1	0	-	-	-	De-emphasis for Fs = 44.1 kHz
-	-	-	1	1	-	-	-	De-emphasis for Fs = 48 kHz
-	-	-	-	-	0	0	0	16 bit, MSB first; right justified
-	-	-	-	-	0	0	1	20 bit, MSB first; right justified
-	-	-	-	-	0	1	0	24 bit, MSB first; right justified
-	-	-	-	-	0	1	1	16-bit I <sup>2</sup> S
-	-	-	-	-	1	0	0	20-bit I <sup>2</sup> S
-	-	-	-	-	1	0	1	24-bit I <sup>2</sup> S
-	-	-	-	-	1	1	0	16-bit MSB first
-	-	-	-	-	1	1	1	16-bit DSP frame

### 3.4 System Control Register 1 (0x03)

Table 3–5. System Control Register 1

D7	D6	D5	D4	D3	D2	D1	D0	FUNCTION
0	-	-	-	-	-	-	-	Reserved
-	0	-	-	-	-	-	-	Valid remains high during automute.
-	1	-	-	-	-	-	-	Valid goes low during automute.
-	-	0	-	-	-	-	-	Valid remains high during mute.
-	-	1	-	-	-	-	-	Valid goes low during mute.
-	-	-	0	-	-	-	-	Mute
-	-	-	1	-	-	-	-	Normal mode
-	-	-	-	0	-	-	-	Set error recovery delay at 6 $\mu$ s
-	-	-	-	1	-	-	-	Set error recovery delay at 47 $\mu$ s
-	-	-	-	-	0	-	-	Error recovery (forces error recovery initialization sequence)
-	-	-	-	-	1	-	-	Normal mode
-	-	-	-	-	-	0	-	Automute disabled
-	-	-	-	-	-	1	-	Automute enabled
-	-	-	-	-	-	-	0	Reserved

### 3.5 Error Recovery Register (0x04)

Table 3–6. Error Recovery Register

D7	D6	D5	D4	D3	D2	D1	D0	FUNCTION
1	1	-	-	-	-	-	-	Set to 11 under default conditions and when x00 is written into x1F
0	-	-	-	-	-	-	-	If 0x84 is written into register 0x1F – Enable volume ramp up after an error recovery sequence is initiated by the ERR_RCVRY terminal or the I <sup>2</sup> C error recovery command (register X03 bit D2)
1	-	-	-	-	-	-	-	If 0x84 is written into register 0x1F – Disable volume ramp up after an error recovery sequence is initiated by the ERR_RCVRY terminal or the I <sup>2</sup> C error recovery command (register X03 bit D2)
-	0	-	-	-	-	-	-	If 0x84 is written into register 0x1F – Enable volume ramp up after error recovery sequence is initiated by register bits D5 – D0 of this register
-	1	-	-	-	-	-	-	If 0x84 is written into register 0x1F – Enable volume ramp up after error recovery sequence is initiated by register bits D5 – D0 of this register
-	-	0	-	-	-	-	-	Put channel 6 into error recovery mode
-	-	-	0	-	-	-	-	Put channel 5 into error recovery mode
-	-	-	-	0	-	-	-	Put channel 4 into error recovery mode
-	-	-	-	-	0	-	-	Put channel 3 into error recovery mode
-	-	-	-	-	-	0	-	Put channel 2 into error recovery mode
-	-	-	-	-	-	-	0	Put channel 1 into error recovery mode
-	-	1	1	1	1	1	1	Normal operation

### 3.6 Automute Delay Register (0x05)

Table 3–7. Automute Delay Register

D7	D6	D5	D4	D3	D2	D1	D0	FUNCTION
0	0	0	0	-	-	-	-	Reserved
-	-	-	-	0	0	0	0	Set automute delay at 5 ms
-	-	-	-	0	0	0	1	Set automute delay at 10 ms
-	-	-	-	0	0	1	0	Set automute delay at 15 ms
-	-	-	-	0	0	1	1	Set automute delay at 20 ms
-	-	-	-	0	1	0	0	Set automute delay at 25 ms
-	-	-	-	0	1	0	1	Set automute delay at 30 ms
-	-	-	-	0	1	1	0	Set automute delay at 35 ms
-	-	-	-	0	1	1	1	Set automute delay at 40 ms
-	-	-	-	1	-	-	0	Set automute delay at 45 ms
-	-	-	-	1	-	-	1	Set automute delay at 50 ms

### 3.7 DC-Offset Control Registers (0x06–0x0B)

Channels 1, 2, 3, 4, 5, and 6 are mapped into (0x06, 0x07, 0x08, 0x09, 0x0A, and 0x0B).

Table 3–8. DC-Offset Control Registers

D7	D6	D5	D4	D3	D2	D1	D0	FUNCTION
1	0	0	0	0	0	0	0	Maximum correction for positive dc offset (–1.56% FS)
0	0	0	0	0	0	0	0	No dc-offset correction
0	1	1	1	1	1	1	1	Maximum correction for negative dc offset (1.56% FS)

### 3.8 Interchannel Delay Registers (0x0C–0x11)

Channels 1, 2, 3, 4, 5, and 6 are mapped into (0x0C, 0x0D, 0x0E, 0x0F, 0x10, and 0x11).

The first channel delay is set at 0. Each subsequent channel has a default value that is 76 DCLKs larger than the preceding channel.

Table 3–9. Six Interchannel Delay Registers

D7	D6	D5	D4	D3	D2	D1	D0	FUNCTION
0	0	0	0	0	0	0	0	Minimum absolute delay, 0 DCLK cycles, default for channel 1
0	1	0	0	1	1	0	0	Default for channel 2
1	0	0	1	1	0	0	0	Default for channel 3
1	1	1	0	0	1	0	0	Default for channel 4
0	0	1	1	0	0	0	0	Default for channel 5
0	1	1	1	1	1	0	0	Default for channel 6
1	1	1	1	1	1	1	1	Maximum absolute delay, 255 DCLK cycles

### 3.9 ABD Delay Register (0x12)

Table 3–10. ABD Delay Register

D7	D6	D5	D4	D3	D2	D1	D0	FUNCTION
0	0	0	-	-	-	-	-	Reserved
-	-	-	0	0	0	0	0	Minimum ABD delay, 0 DLCK cycles
-	-	-	1	0	0	0	1	Default ABD delay, 17 DLCK cycles
-	-	-	1	1	1	1	1	Maximum ABD delay, 31 DLCK cycles

### 3.10 Individual Channel Mute Register (0x19)

Table 3–11. Individual Channel Mute Register

D7	D6	D5	D4	D3	D2	D1	D0	FUNCTION
1	1	-	-	-	-	-	-	Reserved
-	-	1	1	1	1	1	1	No channels are muted
-	-	-	-	-	-	-	0	Mute channel 1
-	-	-	-	-	-	0	-	Mute channel 2
-	-	-	-	-	0	-	-	Mute channel 3
-	-	-	-	0	-	-	-	Mute channel 4
-	-	-	0	-	-	-	-	Mute channel 5
-	-	0	-	-	-	-	-	Mute channel 6



## 4 System Procedures for Initialization, Changing Data Rates, and Switching Between Master and Slave Modes

### 4.1 System Initialization

Reset is used during system initialization to hold the TAS5036A inactive while power (VDD), the master clock (MCLK\_IN), the device control, and the data signals become stable. The recommended initialization sequence is to hold  $\overline{\text{RESET}}$  low for 24 MCLK\_IN cycles after VDD has reached 3 V and the other control signals ( $\overline{\text{MUTE}}$ ,  $\overline{\text{PDN}}$ , M\_S, ERR\_RCVRY, DBSPD, and CS0) are stable.

Figure 4–1 shows the recommended sequence and timing for the  $\overline{\text{RESET}}$  terminal relative to system VDD voltage and MCLK.

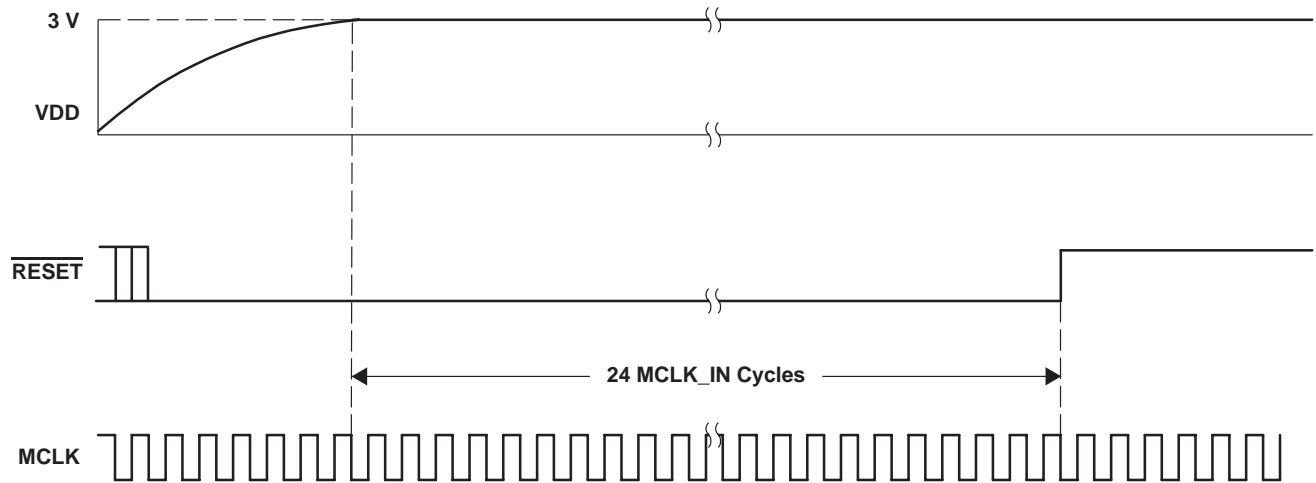


Figure 4–1.  $\overline{\text{RESET}}$  During System Initialization

Within the first 2 ms following the low-to-high transition of the  $\overline{\text{RESET}}$  terminal, the serial data interface format should be set in the serial data interface control register using the I<sup>2</sup>C serial control interface. If the data rate setting is other than the setting specified by the DBSPD terminal, then the data rate should be set using the DBSPD terminal or I<sup>2</sup>C interface within 2 ms following the low-to-high transition of the  $\overline{\text{RESET}}$  terminal.

The time available to set the I<sup>2</sup>C registers following the low-to-high transition of the  $\overline{\text{RESET}}$  terminal can be extended using the ERR\_RCVRY terminal. While ERR\_RCVRY is low, the TAS5036A outputs are held inactive. Once the I<sup>2</sup>C control registers are set, the ERR\_RCVRY terminal can be released and the TAS5036A starts operation. Figure 4–2 shows how the ERR\_RCVRY terminal can be used to extend the interval as long as necessary to set the I<sup>2</sup>C registers following the low-to-high transition of the  $\overline{\text{RESET}}$  terminal.

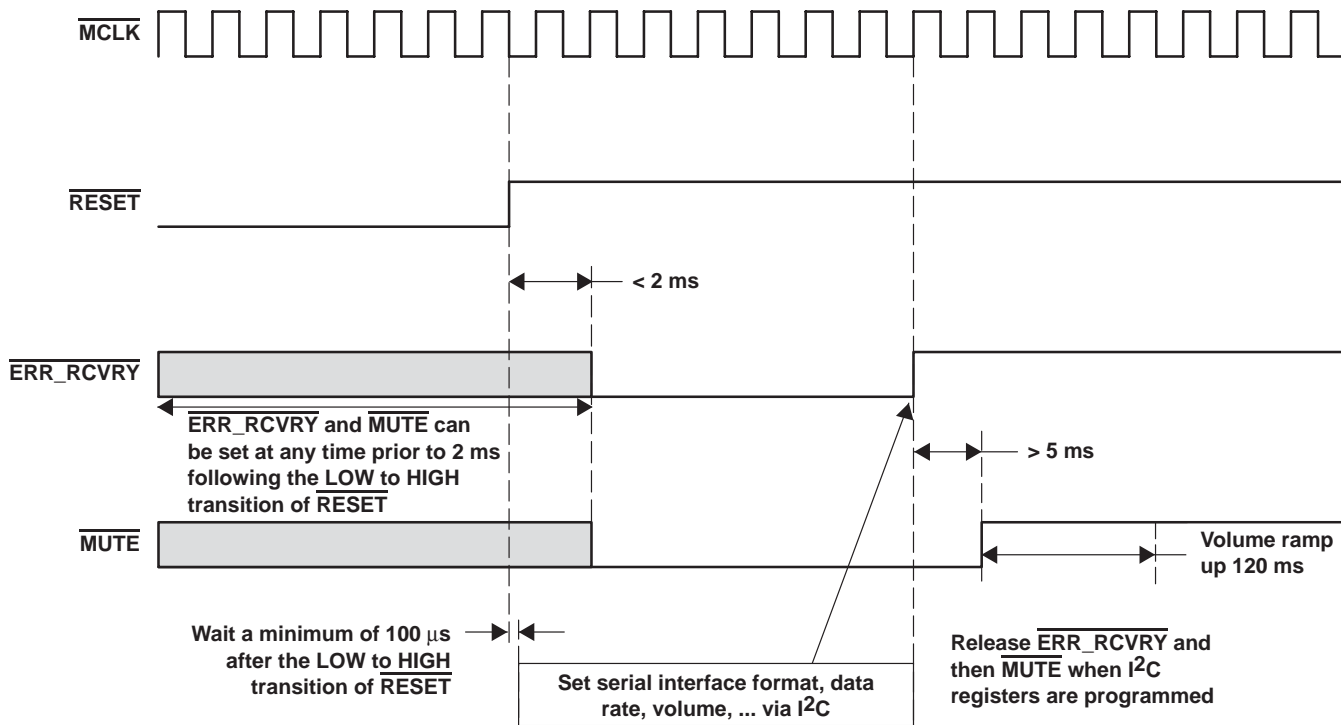


Figure 4–2. Extending the I<sup>2</sup>C Write Interval Following a Low-to-High Transition of the RESET Terminal

The operation of the TAS5036A can be tailored as desired to meet specific operating requirements by adjusting the following:

- Volume
- Data sample rate
- Emphasis/deemphasis settings
- Individual channel mute
- Automute delay register
- DC-offset control registers

If desired, the TAS5036A can be set to perform an unmute sequence following the low-to-high transition of the ERR\_RCVRY terminal or the error recovery I<sup>2</sup>C command (register 0x03 bit D2). This capability is set by writing 0x7F to the individual error recovery register (0x04) and 0x84 to the feature enable register (0x1F).

## 4.2 Data Sample Rate

If the master clock is well-behaved during the frequency transition (no MCLK\_IN high or low clock periods less than 20 ns) then a simple speed selection is performed by setting the DBSPD terminal or the serial control register. If it is known at least 60 ms in advance that the sample rate is going to change, mute can be used to provide a completely silent transition. The timing of this control sequence is shown in Figure 4–3 and Figure 4–4.

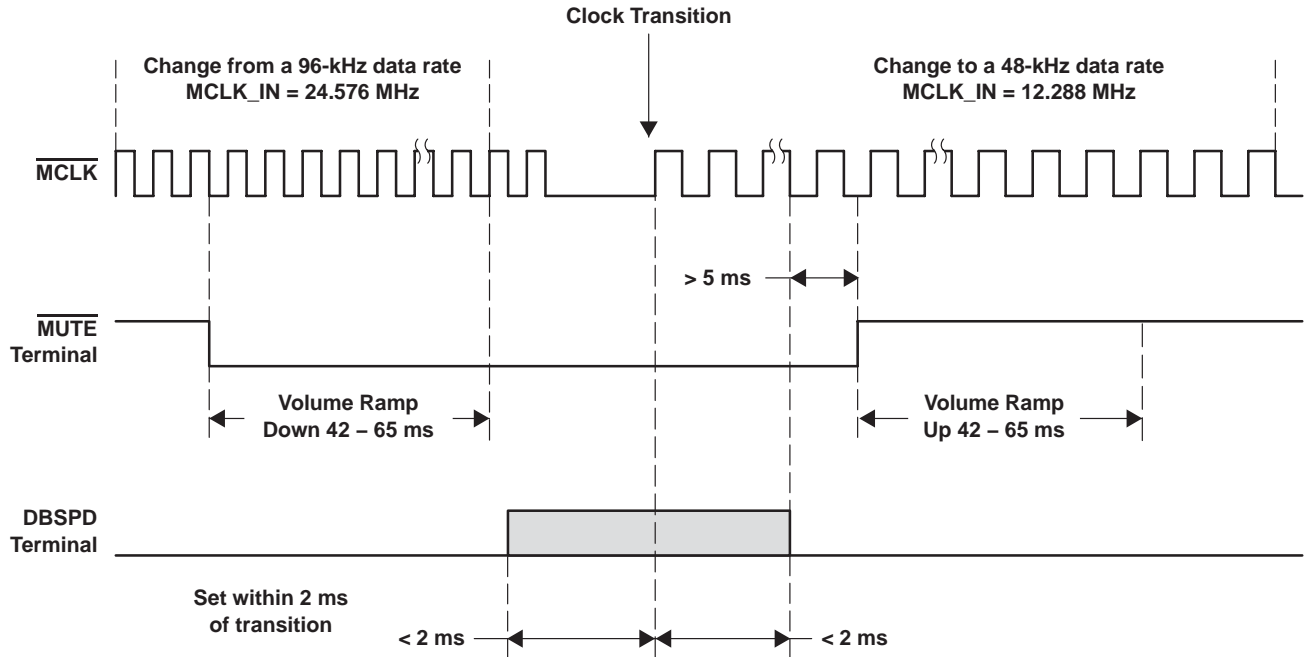


Figure 4-3. Changing the Data Sample Rate Using the DBSPD Terminal

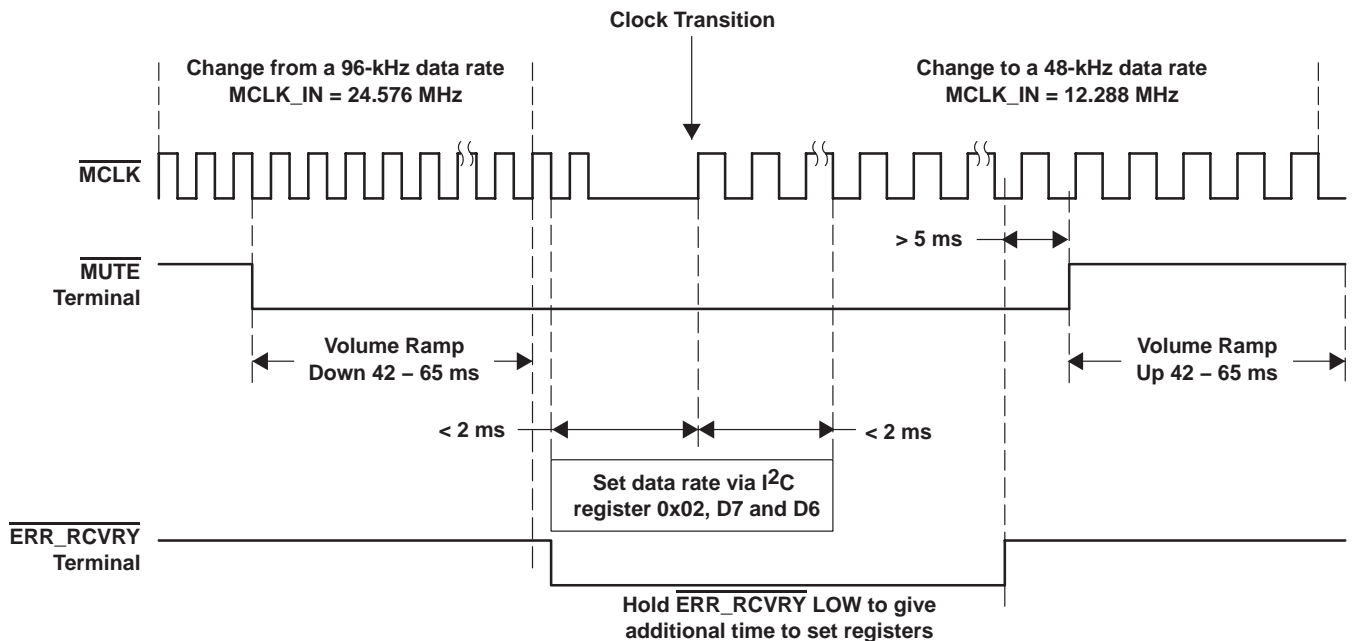


Figure 4-4. Changing the Data Sample Rate Using the I<sup>2</sup>C

However, if the master clock input can encounter a high clock or low clock period of less than 20 ns, then  $\overline{\text{RESET}}$  should be applied during this time. There are two recommended control procedures for this case, depending upon whether the DBSPD terminal or the serial control interface is used. These control sequences are shown in Figure 4-5 and Figure 4-6.

Because this sequence employs the  $\overline{\text{RESET}}$  terminal the internal register settings are set to the default values.

Figure 4–5 shows the procedure to change the data rate using the DBSPD terminal and then restore the register settings. In this example, the  $\overline{\text{ERR\_RCVRY}}$  terminal is used to hold off system re-initialization after  $\overline{\text{RESET}}$  is released. This permits the system controller to have as much additional time as necessary to restore the register settings.

Once the data rate is set, the  $\overline{\text{ERR\_RCVRY}}$  and  $\overline{\text{MUTE}}$  terminal signals are set high and the system re-initializes.

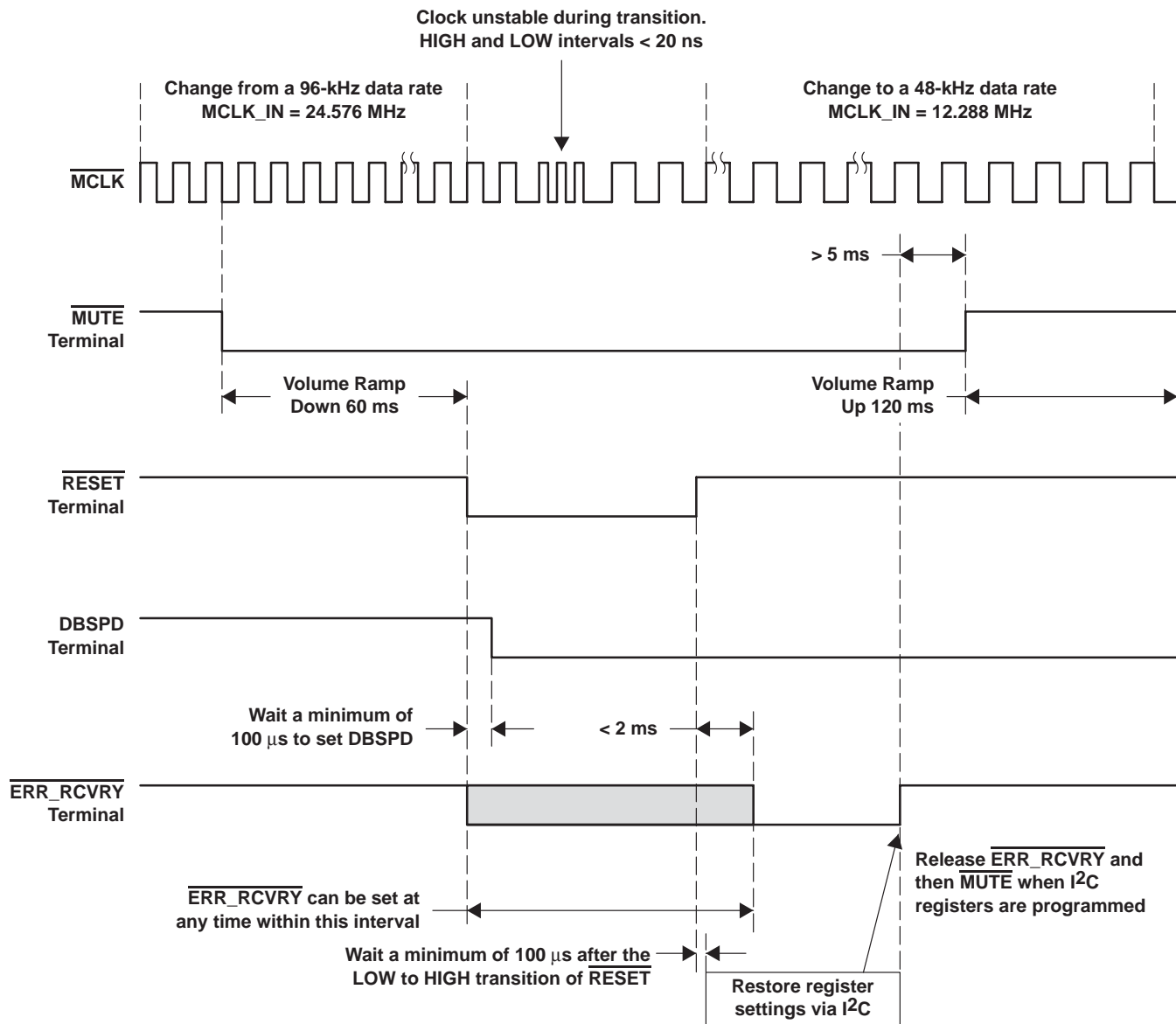


Figure 4–5. Changing the Data Sample Rate With an Unstable MCLK\_IN Using the DBSPD Terminal

Because this sequence employs the  $\overline{\text{RESET}}$  terminal, the internal register settings are set to the default values.

Figure 4–6 shows the procedure to change the data rate using register 0x02 D7 and D6 and then restore the other register settings. In this example, the  $\overline{\text{ERR\_RCVRY}}$  terminal is used to hold off system re-initialization after  $\overline{\text{RESET}}$  is released. This permits the system controller to have as much additional time as necessary to restore the register settings.

Once the data rate is set, the  $\overline{\text{ERR\_RCVRY}}$  and  $\overline{\text{MUTE}}$  terminal signals are set high and the system re-initializes.

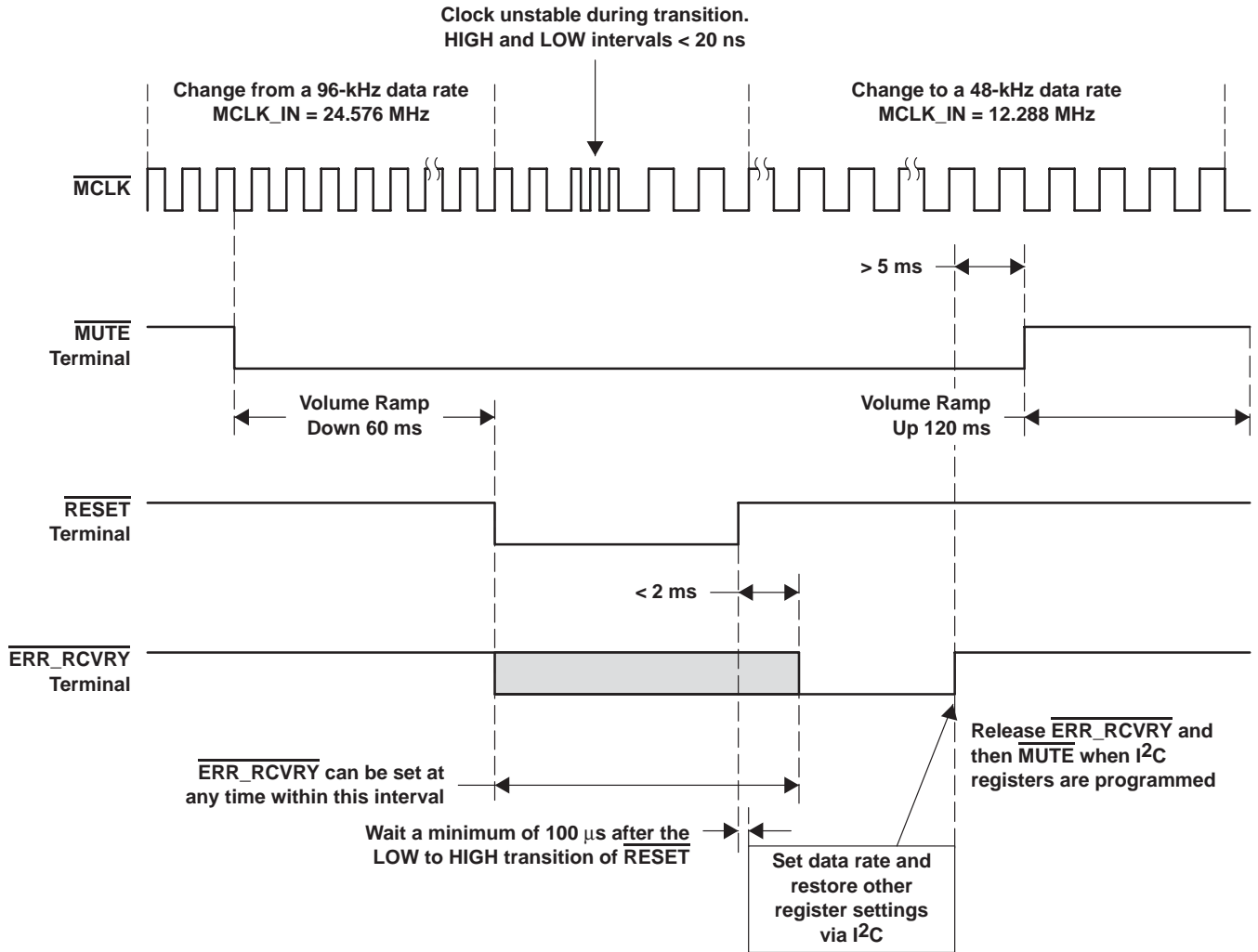


Figure 4–6. Changing the Data Sample Rate With an Unstable MCLK\_IN Using the I<sup>2</sup>C

### 4.3 Changing Between Master and Slave Modes

The M\_S terminal is set while the  $\overline{\text{RESET}}$  terminal is active. Because this sequence employs the  $\overline{\text{RESET}}$  terminal the internal register settings are set to the default values.

Figure 4–7 shows the procedure to switch between master and slave modes and then restore the register settings. In this example, the  $\overline{\text{ERR\_RCVRY}}$  terminal is used to hold off system re-initialization after  $\overline{\text{RESET}}$  is released. This permits the system controller to have as much additional time as necessary to restore the register settings.

Once the data rate is set, the  $\overline{\text{ERR\_RCVRY}}$  and  $\overline{\text{MUTE}}$  terminal signals are set high and the system re-initializes.

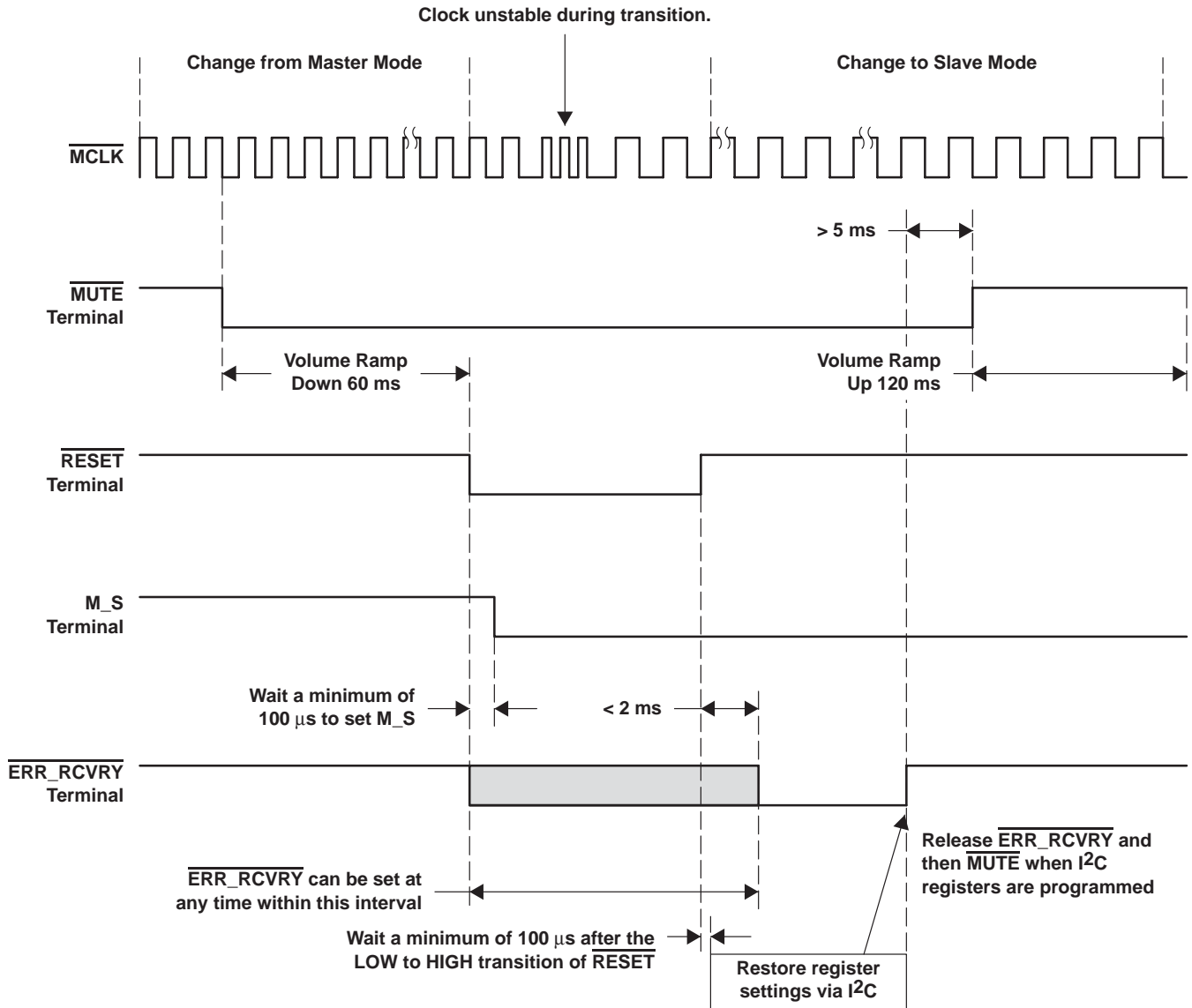


Figure 4-7. Changing Between Master and Slave Clock Mode

## 5 Specifications

### 5.1 Absolute Maximum Ratings Over Operating Temperature Ranges (Unless Otherwise Noted)<sup>†</sup>

Digital supply voltage range: DVDD, DVDD_PWM, DVDD_RCL	–0.3 V to 4.2 V
Analog supply voltage range: AVDD_PLL, AVDD_OSC	–0.3 V to 4.2 V
Digital input voltage range, $V_I$	–0.3 V to DVDD_X + 0.3 V
Operating free-air temperature	0°C to 70°C
Storage temperature range, $T_{stg}$	–65°C to 150°C
ESD	2000 V

<sup>†</sup> Stresses beyond those listed under “absolute maximum ratings” may cause permanent damage to the device. These are stress ratings only, and functional operation of the device at these or any other conditions beyond those indicated under “recommended operating conditions” is not implied. Exposure to absolute-maximum-rated conditions for extended periods may affect device reliability.

### 5.2 Recommended Operating Conditions

			MIN	TYP	MAX	UNIT
Supply voltage	Digital	DVDD_X, see Note 2	3	3.3	3.6	V
Supply current	Digital	Operating	60			mA
		Power down, see Note 3	25			μA
Power dissipation	Digital	Operating	200			mW
		Power down	100			μW
Supply voltage	Analog	AVDD_X, see Note 4	3	3.3	3.6	V
Supply current	Analog	Operating	10			mA
		Power down, see Note 3	25			μA
Power dissipation	Analog	Operating	35			mW
		Power down, see Note 3	100			μW

NOTES: 2. DVDD\_CORE, DVDD\_PWM, DVDD\_RCL  
 3. If the clocks are turned off.  
 4. AVDD\_PLL, AVDD\_OSC

### 5.3 Electrical Characteristics Over Recommended Operating Conditions

#### 5.3.1 Static Digital Specifications Over Recommended Operating Conditions (Unless Otherwise Noted)

PARAMETER		TEST CONDITIONS	MIN	MAX	UNIT
$V_{IH}$	High-level input voltage		2	DVDD	V
$V_{IL}$	Low-level input voltage		0	0.8	V
$V_{OH}$	High-level output voltage	$I_O = -1$ mA	2.4		V
$V_{OL}$	Low-level output voltage	$I_O = 4$ mA		0.4	V
$I_{lkg}$	Input leakage current		–10	10	μA

#### 5.3.2 Digital Interpolation Filter and PWM Modulator Over Recommended Operating Conditions (Unless Otherwise Noted) ( $F_s = 48$ kHz)

PARAMETER		TEST CONDITIONS	MIN	TYP	MAX	UNIT
Pass band			0		20	kHz
Pass-band ripple			±0.012			dB
Stop band			24.1			kHz
Stop-band attenuation		24.1 kHz to 152.3 kHz	50			dB
Group delay			700			μs
PWM modulation index (gain)			0.93%			

**5.3.3 TAS5036A/TAS5182 System Performance Measured at the Speaker Terminals Over Recommended Operating Conditions (Unless Otherwise Noted) ( $F_s = 48 \text{ kHz}$ )**

PARAMETER	TEST CONDITIONS	MIN	TYP	MAX	UNIT
SNR (EIAJ)	A-weighted		100		dB
Dynamic range	A-weighted, -60 dB, $f = 1 \text{ kHz}$		100		dB
THD+N	0 dB, 1 kHz		0.09%		

**5.4 Switching Characteristics**

**5.4.1 Command Sequence Timing**

**5.4.1.1 Reset Timing— $\overline{\text{RESET}}$**

CONTROL SIGNAL PARAMETERS OVER RECOMMENDED OPERATING CONDITIONS (UNLESS OTHERWISE NOTED)						
PARAMETER	TEST CONDITIONS	MIN	TYP	MAX	UNIT	
$t_w(\text{RESET})$	Pulse duration, RESET active	50			ns	
$t_p(\text{VALID\_LOW})$	Propagation delay			1	$\mu\text{s}$	
$t_p(\text{VALID\_HIGH})$	Propagation delay	4		5	ms	
$t_d(\text{VOLUME})$	Delay time	42		65	ms	

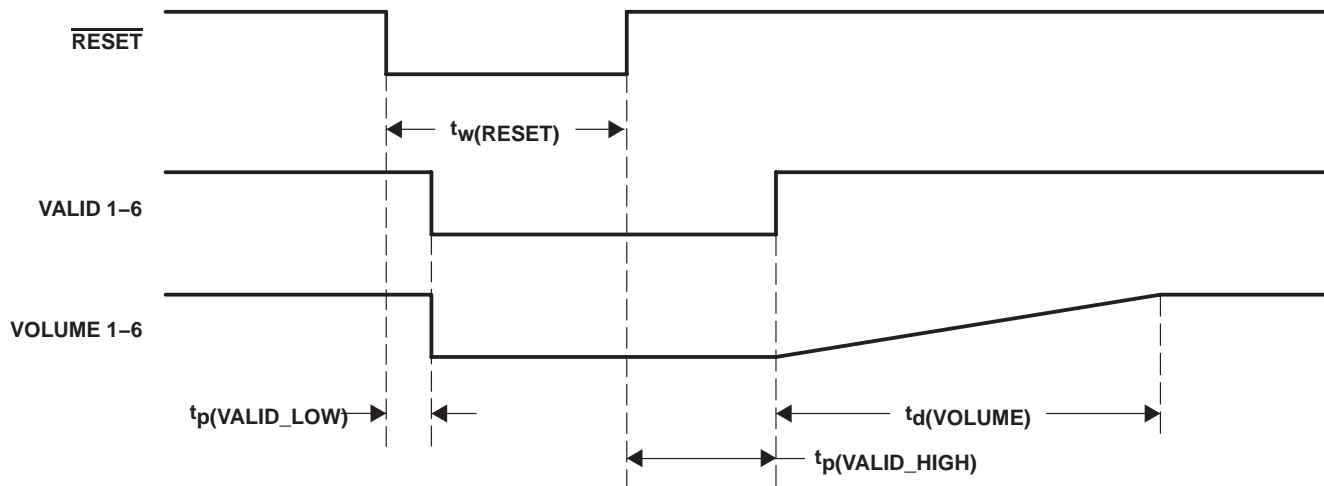


Figure 5-1.  $\overline{\text{RESET}}$  Timing

## 5.4.1.2 Power-Down Timing— $\overline{\text{PDN}}$

### 5.4.1.2.1 Long Recovery

CONTROL SIGNAL PARAMETERS OVER RECOMMENDED OPERATING CONDITIONS (UNLESS OTHERWISE NOTED)						
PARAMETER		TEST CONDITIONS	MIN	TYP	MAX	UNIT
$t_w(\text{PDN})$	Pulse duration, $\overline{\text{PDN}}$ active		50			ns
$t_d(\text{R PDNR})$	Reset high to $\overline{\text{PDN}}$ rising edge		16 MCLKs			ns
$t_p(\text{VALID\_LOW})$					1	$\mu\text{s}$
$t_p(\text{VALID\_HIGH})$			85		100	ms
$t_d(\text{VOLUME})$			42		65	ms

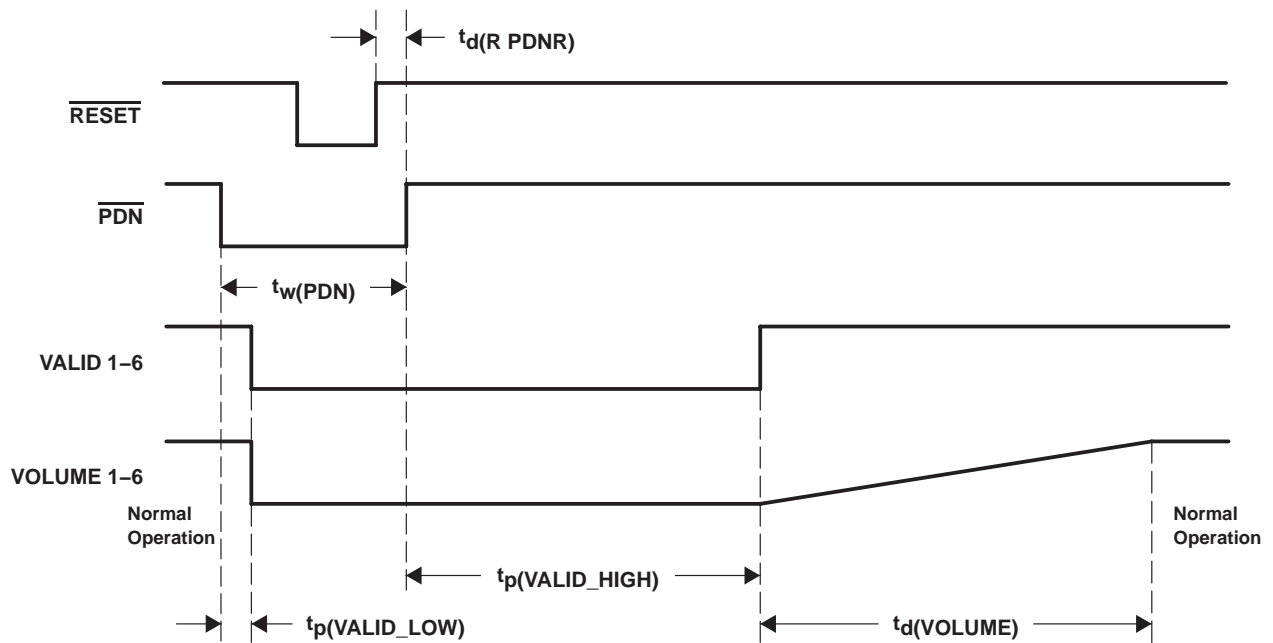


Figure 5–2. Power-Down and Power-Up Timing— $\overline{\text{RESET}}$  Preceding  $\overline{\text{PDN}}$

5.4.1.2.2 Short Recovery

CONTROL SIGNAL PARAMETERS OVER RECOMMENDED OPERATING CONDITIONS (UNLESS OTHERWISE NOTED)						
PARAMETER		TEST CONDITIONS	MIN	TYP	MAX	UNIT
$t_w(\text{PDN})$	Pulse duration, $\overline{\text{PDN}}$ active		50			ns
$t_d(\text{R PDNR})$	$\overline{\text{PDN}}$ high to reset rising edge		16 MCLKs			ns
$t_p(\text{VALID\_LOW})$					1	$\mu\text{s}$
$t_p(\text{VALID\_HIGH})$			4		5	ms
$t_d(\text{VOLUME})$			42		65	ms

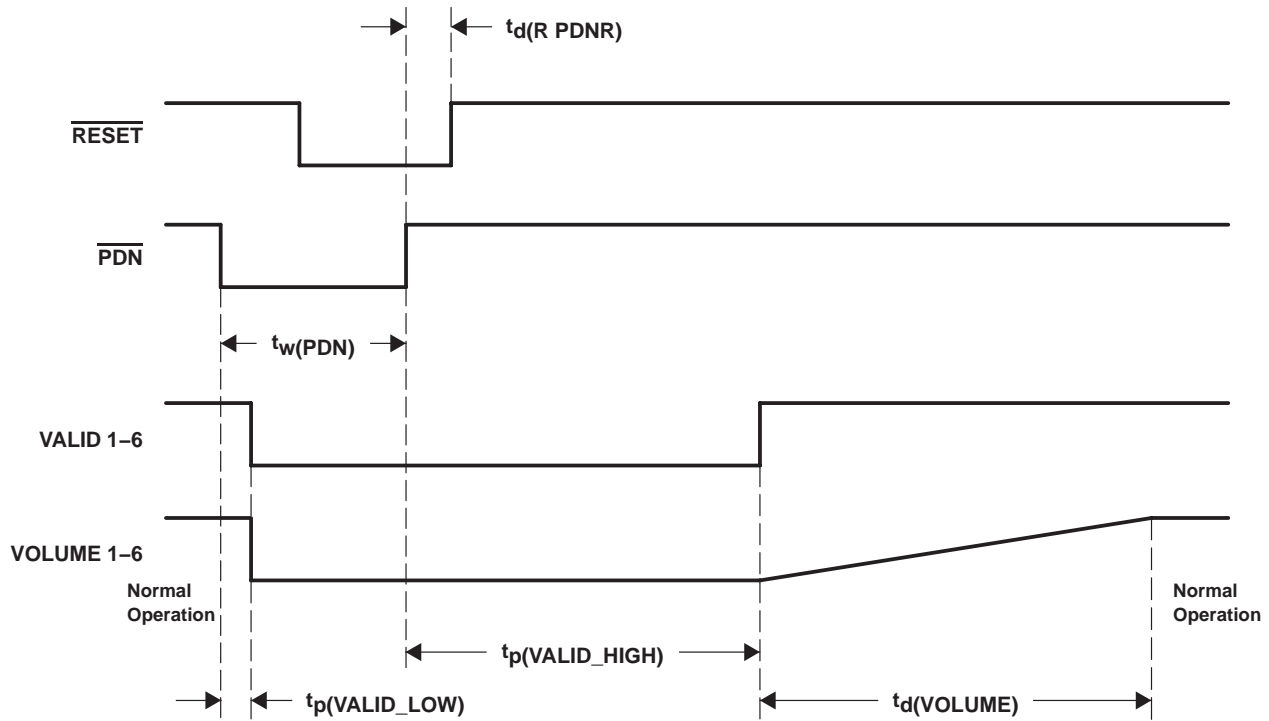


Figure 5-3. Power-Down and Power-Up Timing— $\overline{\text{RESET}}$  Following  $\overline{\text{PDN}}$

### 5.4.1.3 Error Recovery Timing— $\overline{\text{ERR\_RCVRY}}$

CONTROL SIGNAL PARAMETERS OVER RECOMMENDED OPERATING CONDITIONS (UNLESS OTHERWISE NOTED)						
PARAMETER		TEST CONDITIONS	MIN	TYP	MAX	UNIT
$t_w(\text{ER})$	Pulse duration, $\overline{\text{ERR\_RCVRY}}$ active		5 MCLKs			ns
$t_p(\text{VALID\_LOW})$	Selectable for minimum or maximum		6		47	$\mu\text{s}$
$t_p(\text{VALID\_HIGH})$			4		5	ms

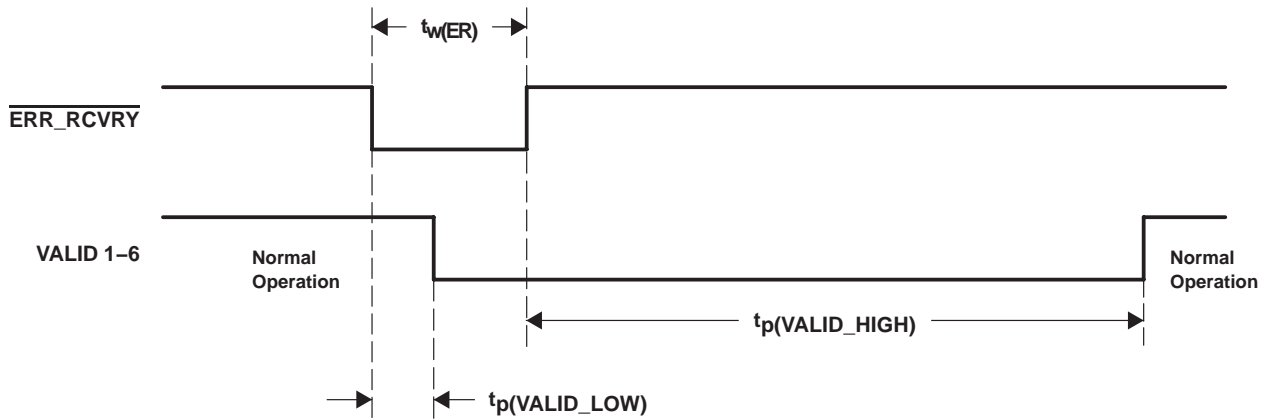


Figure 5-4. Error Recovery Timing

### 5.4.1.4 MUTE Timing— $\overline{\text{MUTE}}$

CONTROL SIGNAL PARAMETERS OVER RECOMMENDED OPERATING CONDITIONS (UNLESS OTHERWISE NOTED)						
PARAMETER		TEST CONDITIONS	MIN	TYP	MAX	UNIT
$t_w(\text{MUTE})$	Pulse duration, $\overline{\text{PDN}}$ active		3 MCLKs			ns
$t_d(\text{VOL})$				42		ms

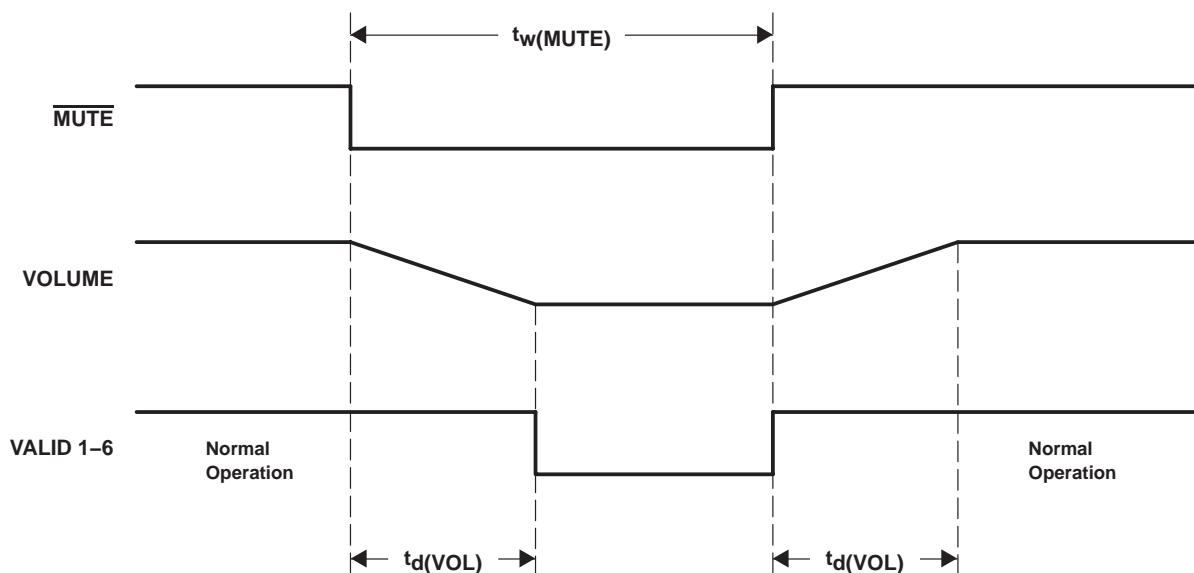


Figure 5-5. Mute Timing

### 5.4.2 Serial Audio Port

#### 5.4.2.1 Serial Audio Ports Slave Mode Over Recommended Operating Conditions (Unless Otherwise Noted)

PARAMETER		MIN	TYP	MAX	UNIT
f(SCLK)	Frequency, SCLK			12.288	MHz
t <sub>su</sub> (SDIN)	SDIN setup time before SCLK rising edge	20			ns
t <sub>h</sub> (SDIN)	SDIN hold time before SCLK rising edge	10			ns
f(LRCLK)	LRCLK frequency	32	48	192	kHz
	MCLK_IN duty cycle		50%		
	SCLK duty cycle		50%		
	LRCLK duty cycle		50%		
t <sub>su</sub> (LRCLK)	LRCLK setup time before SCLK rising edge	20			ns
	MCLK high and low time	20			ns

#### 5.4.2.2 Serial Audio Ports Master Mode, Load Conditions 50 pF Over Recommended Operating Conditions (Unless Otherwise Noted)

PARAMETER		MIN	TYP	MAX	UNIT
t(MSD)	MCLK_IN to SCLK	0		5	ns
t(MLRD)	MCLK_IN to LRCLK	0		5	ns

#### 5.4.2.3 DSP Serial Interface Mode Over Recommended Operating Conditions (Unless Otherwise Noted)

PARAMETER		MIN	TYP	MAX	UNIT
f(SCLK)	SCLK frequency			12.288	MHz
t <sub>d</sub> (FS)	Delay time, SCLK rising to Fs				ns
t <sub>w</sub> (FSHIGH)	Pulse duration, sync		1/(64xfs)		ns
t <sub>su</sub> (SDIN)	SDIN and LRCLK setup time before SCLK falling edge	20			ns
t <sub>h</sub> (SDIN)	SDIN and LRCLK hold time from SCLK falling edge	10			ns
	SCLK duty cycle		50%		

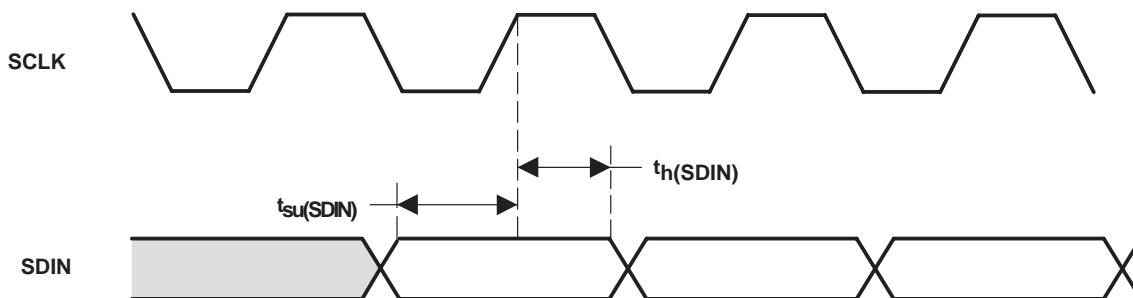
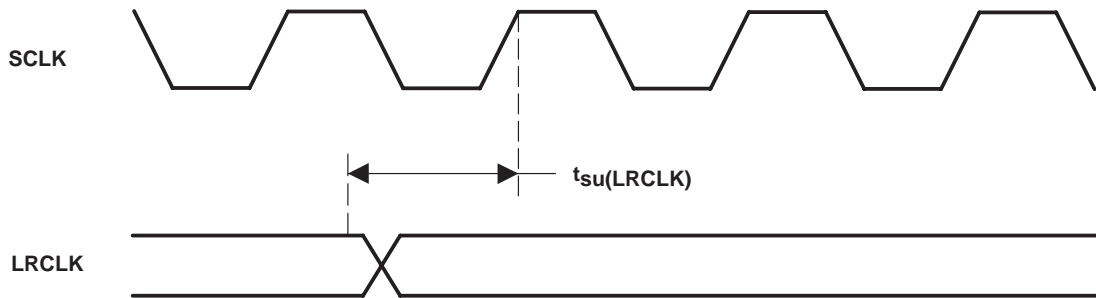


Figure 5–6. Right-Justified, I<sup>2</sup>S, Left-Justified Serial Protocol Timing



NOTE: Serial data is sampled with the rising edge of SCLK (setup time = 20 ns and hold time = 10 ns).

Figure 5-7. Right, Left, and I<sup>2</sup>S Serial Mode Timing Requirement

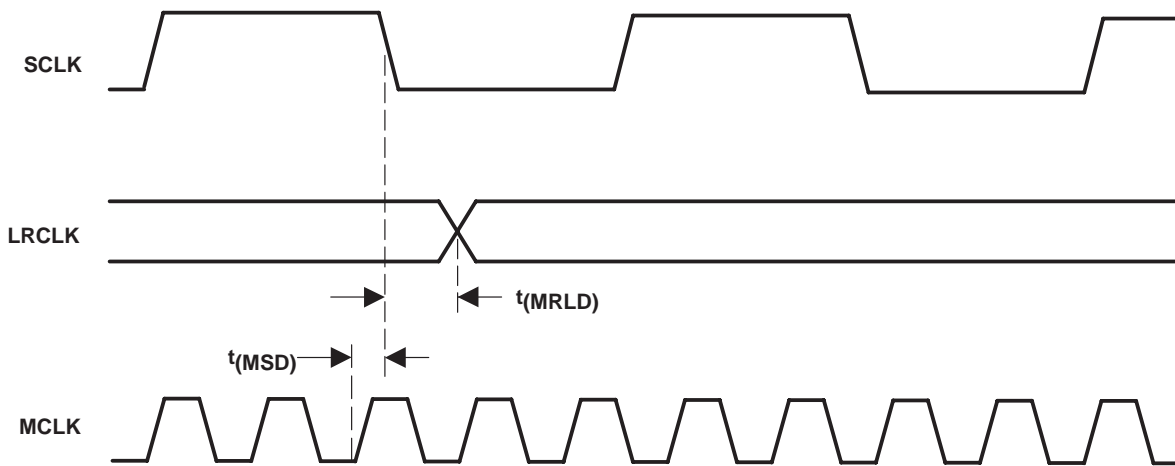


Figure 5-8. Serial Audio Ports Master Mode Timing

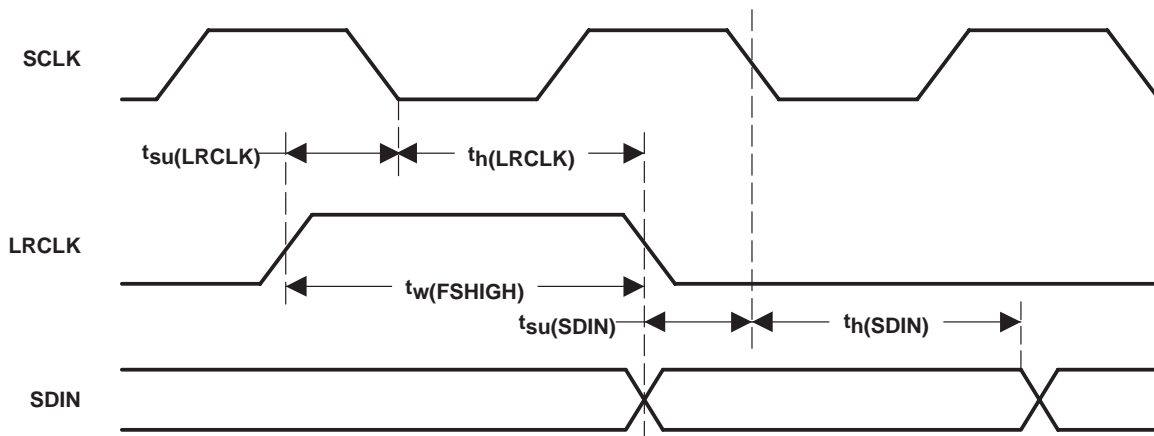


Figure 5-9. DSP Serial Port Timing

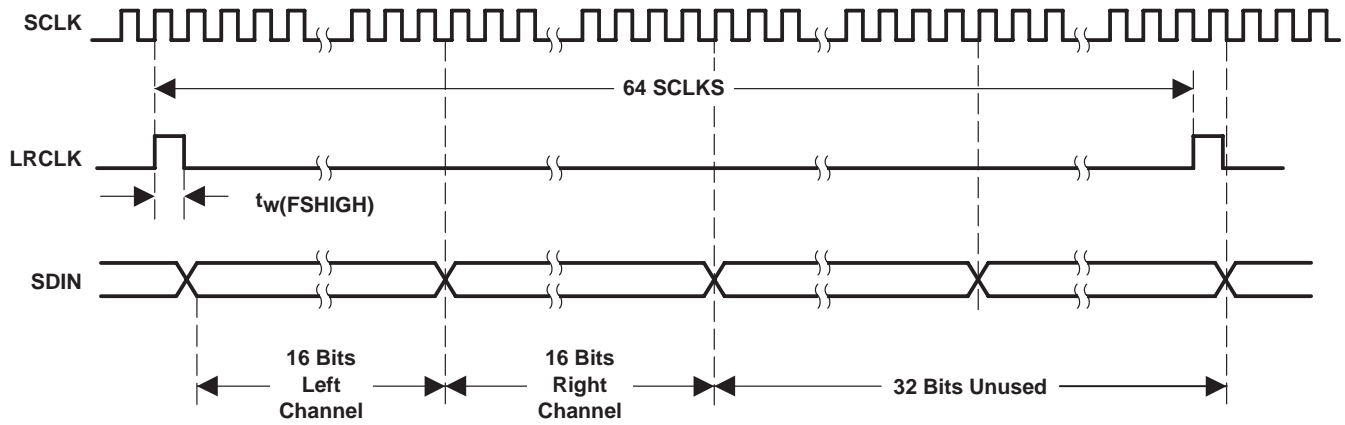


Figure 5–10. DSP Serial Port Expanded Timing

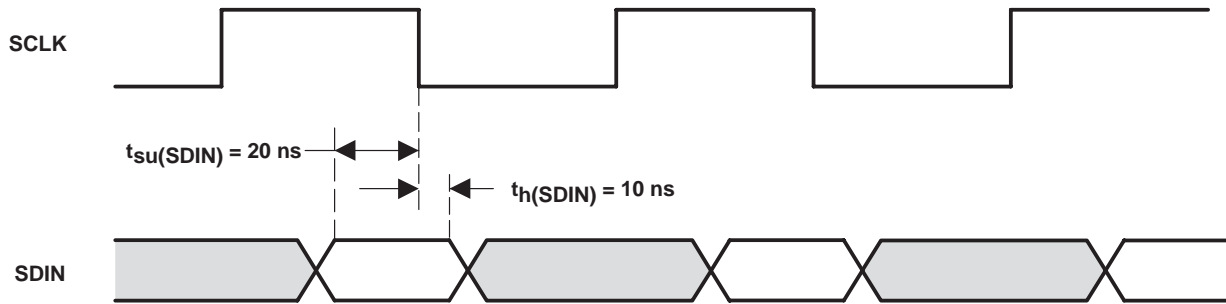


Figure 5–11. DSP Absolute Timing

### 5.4.3 Serial Control Port—I<sup>2</sup>C Operation

#### 5.4.3.1 Timing Characteristics for I<sup>2</sup>C Interface Signals Over Recommended Operating Conditions (Unless Otherwise Noted)

PARAMETER		TEST CONDITIONS	STANDARD MODE		FAST MODE		UNIT
			MIN	MAX	MIN	MAX	
f <sub>SCL</sub>	Frequency, SCL		0	100	0	400	kHz
t <sub>w(H)</sub>	Pulse duration, SCL high		4		0.6		μs
t <sub>w(L)</sub>	Pulse duration, SCL low		4.7		1.3		μs
t <sub>r</sub>	Rise time, SCL and SDA			1000		300	ns
t <sub>f</sub>	Fall time, SCL and SDA			300		300	ns
t <sub>su1</sub>	Setup time, SDA to SCL		250		100		ns
t <sub>h1</sub>	Hold time, SCL to SDA		0		0		ns
t <sub>(buf)</sub>	Bus free time between stop and start condition		4.7		1.3		μs
t <sub>su2</sub>	Setup time, SCL to start condition		4.7		0.6		μs
t <sub>h2</sub>	Hold time, start condition to SCL		4		0.6		μs
t <sub>su3</sub>	Setup time, SCL to stop condition		4		0.6		μs
C <sub>L</sub>	Load capacitance for each bus line			400		400	pF

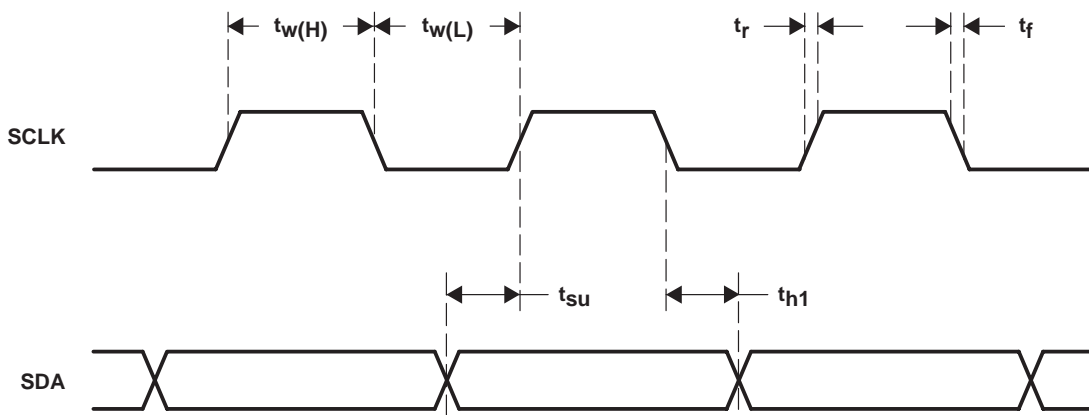


Figure 5–12. SCL and SDA Timing

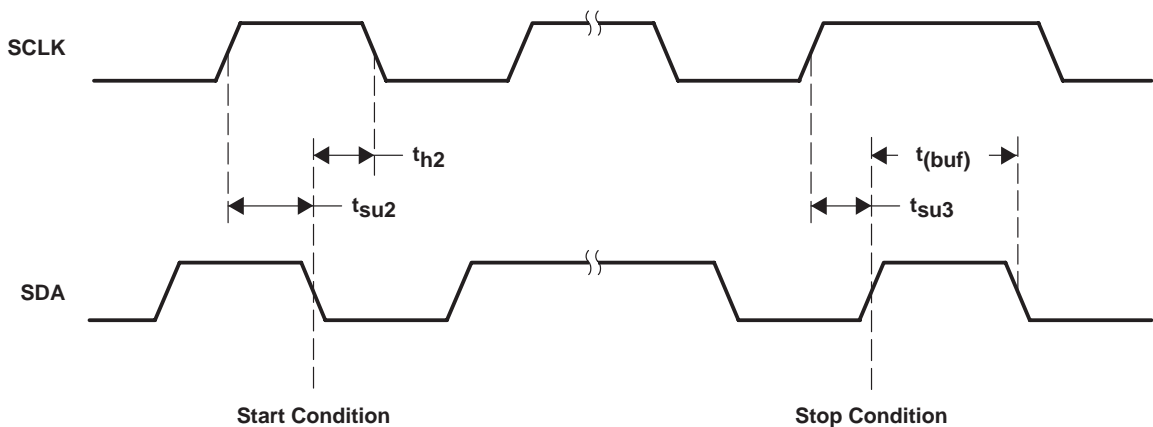


Figure 5–13. Start and Stop Conditions Timing



## 6 Application Information

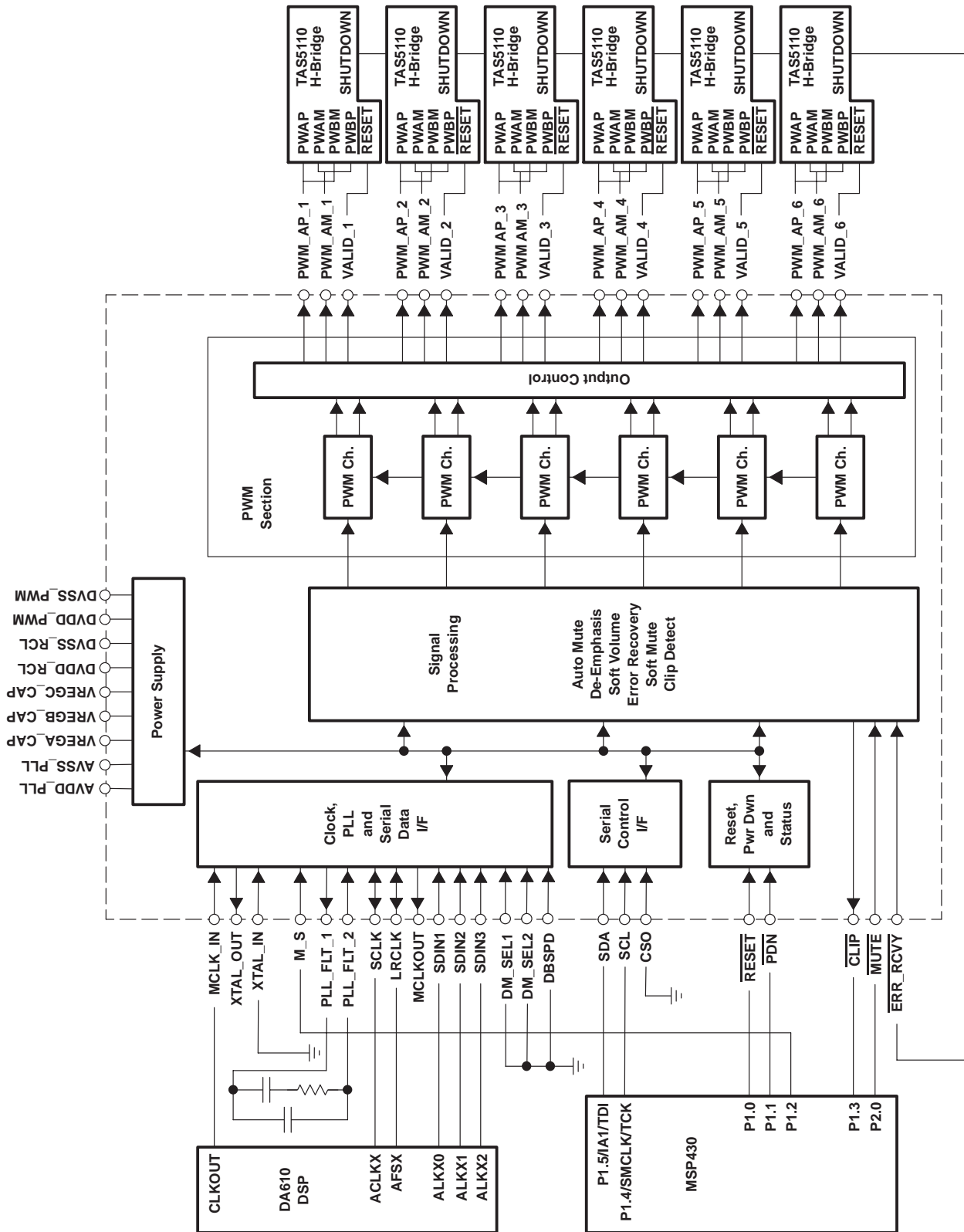


Figure 6–1. Typical TAS5036A Application

## 6.1 Serial Audio Interface Clock Master and Slave Interface Configuration

### 6.1.1 Slave Configuration

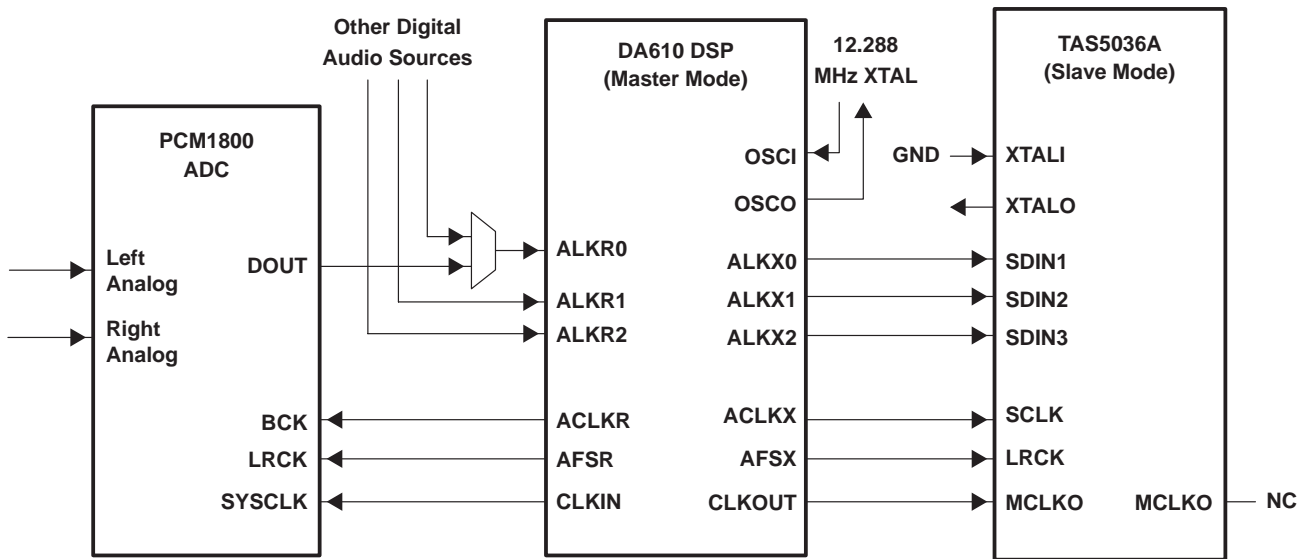


Figure 6-2. TAS5036A Serial Audio Port—Slave Mode Connection Diagram

### 6.1.2 Master Configuration

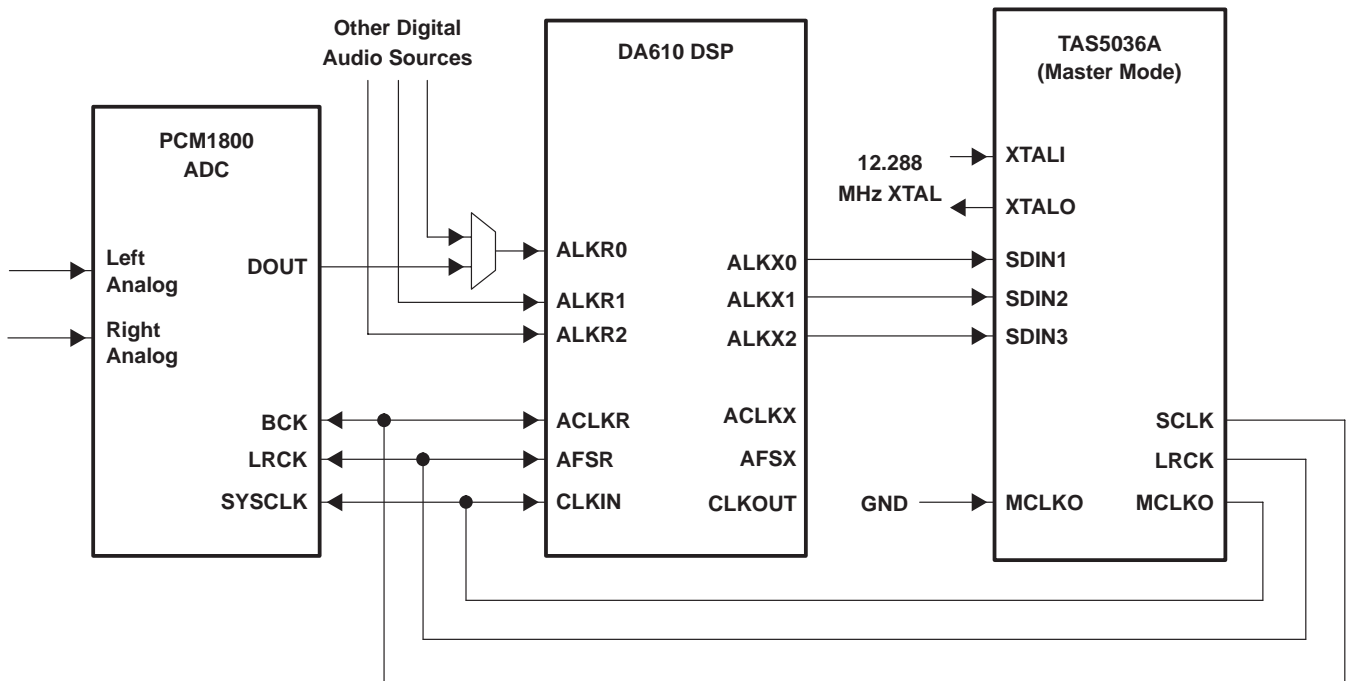
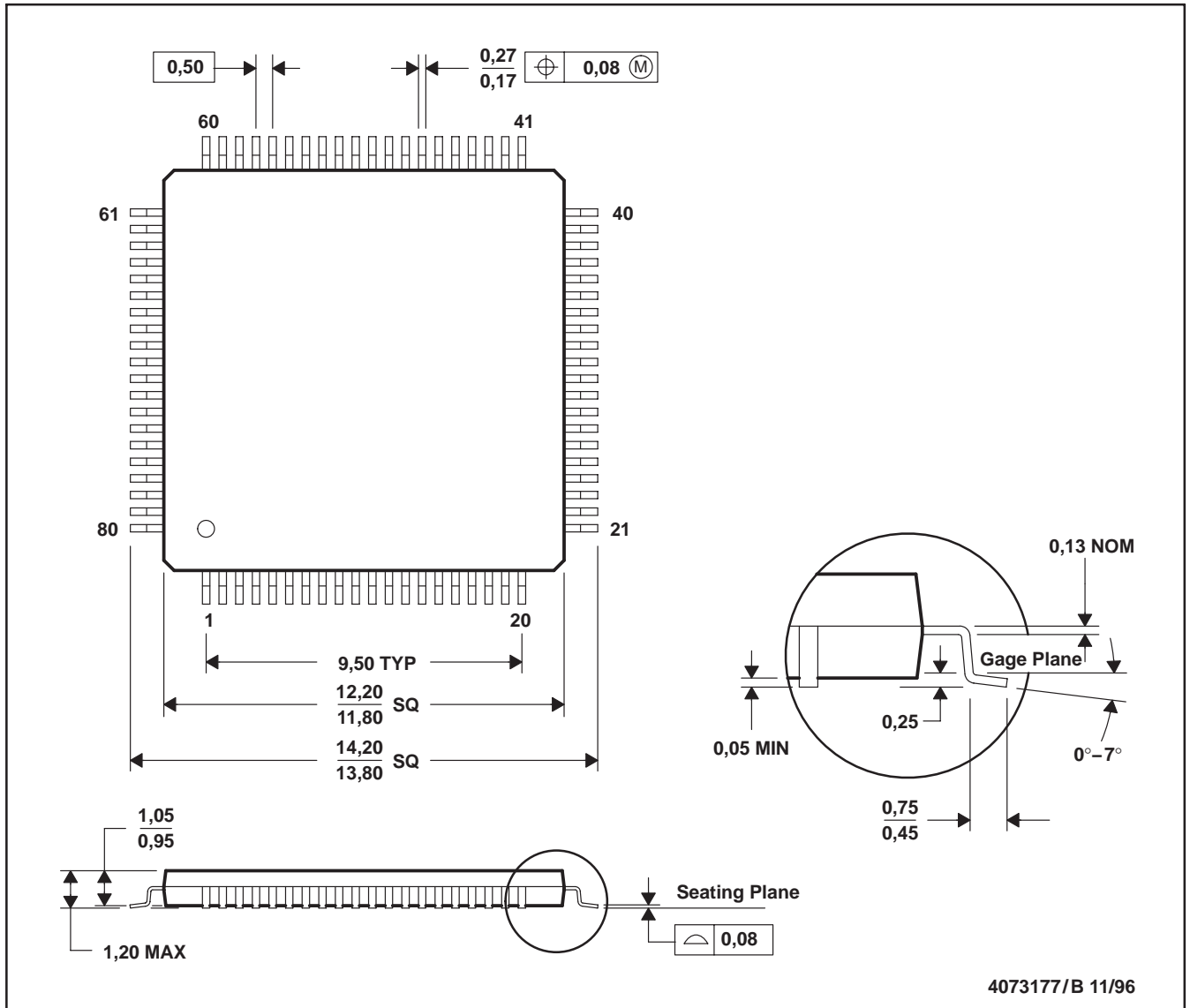


Figure 6-3. TAS5036A Serial Audio Port—Master Mode Connection Diagram

# 7 Mechanical Data

PFC (S-PQFP-G80)

PLASTIC QUAD FLATPACK



- NOTES: A. All linear dimensions are in millimeters.  
 B. This drawing is subject to change without notice.  
 C. Falls within JEDEC MS-026



## Appendix A—Volume Table

VOLUME SETTING	REGISTER VOLUME (BIN)	GAIN dB
	<b>D7 – D0</b>	
249	1111 1001	24
248	1111 1000	23.5
247	1111 0111	23
246	1111 0110	22.5
245	1111 0101	22
244	1111 0100	21.5
243	1111 0011	21
242	1111 0010	20.5
241	1111 0001	20
240	1111 0000	19.5
239	1110 1111	19
238	1110 1110	18.5
237	1110 1101	18
236	1110 1100	17.5
235	1110 1011	17
234	1110 1010	16.5
233	1110 1001	16
232	1110 1000	15.5
231	1110 0111	15
230	1110 0110	14.5
229	1110 0101	14
228	1110 0100	13.5
227	1110 0011	13
226	1110 0010	12.5
225	1110 0001	12
224	1110 0000	11.5
223	1101 1111	11
222	1101 1110	10.5
221	1101 1101	10
220	1101 1100	9.5
219	1101 1011	9
218	1101 1010	8.5
217	1101 1001	8
216	1101 1000	7.5
215	1101 0111	7
214	1101 0110	6.5
213	1101 0101	6
212	1101 0100	5.5
211	1101 0011	5
210	1101 0010	4.5
209	1101 0001	4
208	1101 0000	3.5
207	1100 1111	3
206	1100 1110	2.5

VOLUME SETTING	REGISTER VOLUME (BIN)	GAIN dB
	<b>D7 – D0</b>	
205	1100 1101	2
204	1100 1100	1.5
203	1100 1011	1
202	1100 1010	0.5
201	1100 1001	0
200	1100 1000	-0.5
199	1100 0111	-1
198	1100 0110	-1.5
197	1100 0101	-2
196	1100 0100	-2.5
195	1100 0011	-3
194	1100 0010	-3.5
193	1100 0001	-4
192	1100 0000	-4.5
191	1011 1111	-5
190	1011 1110	-5.5
189	1011 1101	-6
188	1011 1100	-6.5
187	1011 1011	-7
186	1011 1010	-7.5
185	1011 1001	-8
184	1011 1000	-8.5
183	1011 0111	-9
182	1011 0110	-9.5
181	1011 0101	-10
180	1011 0100	-10.5
179	1011 0011	-11
178	1011 0010	-11.5
177	1011 0001	-12
176	1011 0000	-12.5
175	1010 1111	-13
174	1010 1110	-13.5
173	1010 1101	-14
172	1010 1100	-14.5
171	1010 1011	-15
170	1010 1010	-15.5
169	1010 1001	-16
168	1010 1000	-16.5
167	1010 0111	-17
166	1010 0110	-17.5
165	1010 0101	-18
164	1010 0100	-18.5
163	1010 0011	-19
162	1010 0010	-19.5

VOLUME SETTING	REGISTER VOLUME (BIN)	GAIN dB
	<b>D7 – D0</b>	
161	1010 0001	-20
160	1010 0000	-20.5
159	1001 1111	-21
158	1001 1110	-21.5
157	1001 1101	-22
156	1001 1100	-22.5
155	1001 1011	-23
154	1001 1010	-23.5
153	1001 1001	-24
152	1001 1000	-24.5
151	1001 0111	-25
150	1001 0110	-25.5
149	1001 0101	-26
148	1001 0100	-26.5
147	1001 0011	-27
146	1001 0010	-27.5
145	1001 0001	-28
144	1001 0000	-28.5
143	1000 1111	-29
142	1000 1110	-29.5
141	1000 1101	-30
140	1000 1100	-30.5
139	1000 1011	-31
138	1000 1010	-31.5
137	1000 1001	-32
136	1000 1000	-32.5
135	1000 0111	-33
134	1000 0110	-33.5
133	1000 0101	-34
132	1000 0100	-34.5
131	1000 0011	-35
130	1000 0010	-35.5
129	1000 0001	-36
128	1000 0000	-36.5
127	0111 1111	-37
126	0111 1110	-37.5
125	0111 1101	-38
124	0111 1100	-38.5
123	0111 1011	-39
122	0111 1010	-39.5
121	0111 1001	-40
120	0111 1000	-40.5
119	0111 0111	-41
118	0111 0110	-41.5
117	0111 0101	-42

VOLUME SETTING	REGISTER VOLUME (BIN)	GAIN dB
	<b>D7 – D0</b>	
116	0111 0100	-42.5
115	0111 0011	-43
114	0111 0010	-43.5
113	0111 0001	-44
112	0111 0000	-44.5
111	0110 1111	-45
110	0110 1110	-45.5
109	0110 1101	-46
108	0110 1100	-46.5
107	0110 1011	-47
106	0110 1010	-47.5
105	0110 1001	-48
104	0110 1000	-48.5
103	0110 0111	-49
102	0110 0110	-49.5
101	0110 0101	-50
100	0110 0100	-50.5
99	0110 0011	-51
98	0110 0010	-51.5
97	0110 0001	-52
96	0110 0000	-52.5
95	0101 1111	-53
94	0101 1110	-53.5
93	0101 1101	-54
92	0101 1100	-54.5
91	0101 1011	-55
90	0101 1010	-55.5
89	0101 1001	-56
88	0101 1000	-56.5
87	0101 0111	-57
86	0101 0110	-57.5
85	0101 0101	-58
84	0101 0100	-58.5
83	0101 0011	-59
82	0101 0010	-59.5
81	0101 0001	-60
80	0101 0000	-60.5
79	0100 1111	-61
78	0100 1110	-61.5
77	0100 1101	-62
76	0100 1100	-62.5
75	0100 1011	-63
74	0100 1010	-63.5
73	0100 1001	-64
72	0100 1000	-64.5

VOLUME SETTING	REGISTER VOLUME (BIN)	GAIN dB
	<b>D7 – D0</b>	
71	0100 0111	–65
70	0100 0110	–65.5
69	0100 0101	–66
68	0100 0100	–66.5
67	0100 0011	–67
66	0100 0010	–67.5
65	0100 0001	–68
64	0100 0000	–68.5
63	0011 1111	–69
62	0011 1110	–69.5
61	0011 1101	–70
60	0011 1100	–70.5
59	0011 1011	–71
58	0011 1010	–71.5
57	0011 1001	–72
56	0011 1000	–72.5
55	0011 0111	–73
54	0011 0110	–73.5
53	0011 0101	–74
52	0011 0100	–74.5
51	0011 0011	–75
50	0011 0010	–75.5
49	0011 0001	–76
48	0011 0000	–76.6
47	0010 1111	–77
46	0010 1110	–77.5
45	0010 1101	–78
44	0010 1100	–78.5
43	0010 1011	–79
42	0010 1010	–79.6
41	0010 1001	–80.1
40	0010 1000	–80.6
39	0010 0111	–81.1
38	0010 0110	–81.5
37	0010 0101	–82.1

VOLUME SETTING	REGISTER VOLUME (BIN)	GAIN dB
	<b>D7 – D0</b>	
36	0010 0100	–82.6
35	0010 0011	–83
34	0010 0010	–83.5
33	0010 0001	–84
32	0010 0000	–84.6
31	0001 1111	–85.1
30	0001 1110	–85.8
29	0001 1101	–86.1
28	0001 1100	–86.8
27	0001 1011	–87.2
26	0001 1010	–87.5
25	0001 1001	–88.4
24	0001 1000	–88.8
23	0001 0111	–89.3
22	0001 0110	–89.8
21	0001 0101	–90.3
20	0001 0100	–90.9
19	0001 0011	–91.5
18	0001 0010	–92.1
17	0001 0001	–92.8
16	0001 0000	–93.6
15	0000 1111	–94.4
14	0000 1110	–95.3
13	0000 1101	–96.3
12	0000 1100	–97.5
11	0000 1011	–98.8
10	0000 1010	–100.4
9	0000 1001	–102.4
8	0000 1000	–104.9
7	0000 0111	–108.4
6	0000 0110	–114.4
5	0000 0101	MUTE
4	0000 0100	MUTE
3	0000 0011	MUTE
2	0000 0010	MUTE
1	0000 0001	MUTE
0	0000 0000	MUTE



**PACKAGING INFORMATION**

Orderable Device	Status <sup>(1)</sup>	Package Type	Package Drawing	Pins	Package Qty	Eco Plan <sup>(2)</sup>	Lead/Ball Finish	MSL Peak Temp <sup>(3)</sup>
TAS5036AIPFC	NRND	TQFP	PFC	80	119	Green (RoHS & no Sb/Br)	CU NIPDAU	Level-4-260C-72 HR
TAS5036AIPFCG4	ACTIVE	TQFP	PFC	80	119	Green (RoHS & no Sb/Br)	CU NIPDAU	Level-4-260C-72 HR
TAS5036AIPFCR	NRND	TQFP	PFC	80	1000	Green (RoHS & no Sb/Br)	CU NIPDAU	Level-4-260C-72 HR
TAS5036AIPFCRG4	ACTIVE	TQFP	PFC	80	1000	Green (RoHS & no Sb/Br)	CU NIPDAU	Level-4-260C-72 HR
TAS5036APFC	NRND	TQFP	PFC	80	96	Green (RoHS & no Sb/Br)	CU NIPDAU	Level-4-260C-72 HR
TAS5036APFCG4	ACTIVE	TQFP	PFC	80	96	Green (RoHS & no Sb/Br)	CU NIPDAU	Level-4-260C-72 HR
TAS5036APFCR	NRND	TQFP	PFC	80	1000	Green (RoHS & no Sb/Br)	CU NIPDAU	Level-4-260C-72 HR
TAS5036APFCRG4	ACTIVE	TQFP	PFC	80	1000	Green (RoHS & no Sb/Br)	CU NIPDAU	Level-4-260C-72 HR

<sup>(1)</sup> The marketing status values are defined as follows:

**ACTIVE:** Product device recommended for new designs.

**LIFEBUY:** TI has announced that the device will be discontinued, and a lifetime-buy period is in effect.

**NRND:** Not recommended for new designs. Device is in production to support existing customers, but TI does not recommend using this part in a new design.

**PREVIEW:** Device has been announced but is not in production. Samples may or may not be available.

**OBSOLETE:** TI has discontinued the production of the device.

<sup>(2)</sup> Eco Plan - The planned eco-friendly classification: Pb-Free (RoHS), Pb-Free (RoHS Exempt), or Green (RoHS & no Sb/Br) - please check <http://www.ti.com/productcontent> for the latest availability information and additional product content details.

**TBD:** The Pb-Free/Green conversion plan has not been defined.

**Pb-Free (RoHS):** TI's terms "Lead-Free" or "Pb-Free" mean semiconductor products that are compatible with the current RoHS requirements for all 6 substances, including the requirement that lead not exceed 0.1% by weight in homogeneous materials. Where designed to be soldered at high temperatures, TI Pb-Free products are suitable for use in specified lead-free processes.

**Pb-Free (RoHS Exempt):** This component has a RoHS exemption for either 1) lead-based flip-chip solder bumps used between the die and package, or 2) lead-based die adhesive used between the die and leadframe. The component is otherwise considered Pb-Free (RoHS compatible) as defined above.

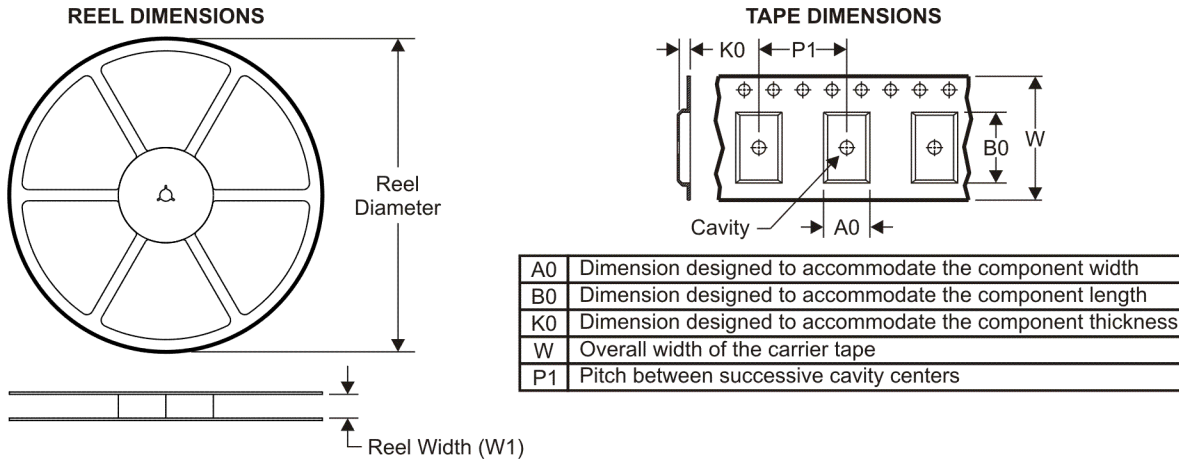
**Green (RoHS & no Sb/Br):** TI defines "Green" to mean Pb-Free (RoHS compatible), and free of Bromine (Br) and Antimony (Sb) based flame retardants (Br or Sb do not exceed 0.1% by weight in homogeneous material)

<sup>(3)</sup> MSL, Peak Temp. -- The Moisture Sensitivity Level rating according to the JEDEC industry standard classifications, and peak solder temperature.

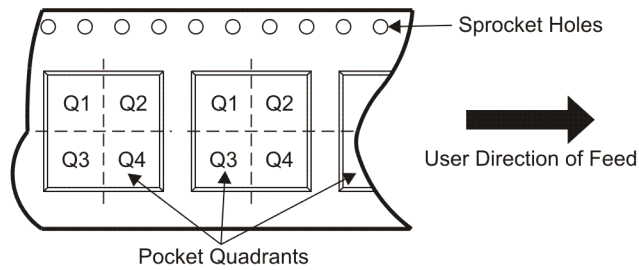
**Important Information and Disclaimer:**The information provided on this page represents TI's knowledge and belief as of the date that it is provided. TI bases its knowledge and belief on information provided by third parties, and makes no representation or warranty as to the accuracy of such information. Efforts are underway to better integrate information from third parties. TI has taken and continues to take reasonable steps to provide representative and accurate information but may not have conducted destructive testing or chemical analysis on incoming materials and chemicals. TI and TI suppliers consider certain information to be proprietary, and thus CAS numbers and other limited information may not be available for release.

In no event shall TI's liability arising out of such information exceed the total purchase price of the TI part(s) at issue in this document sold by TI to Customer on an annual basis.

**TAPE AND REEL INFORMATION**



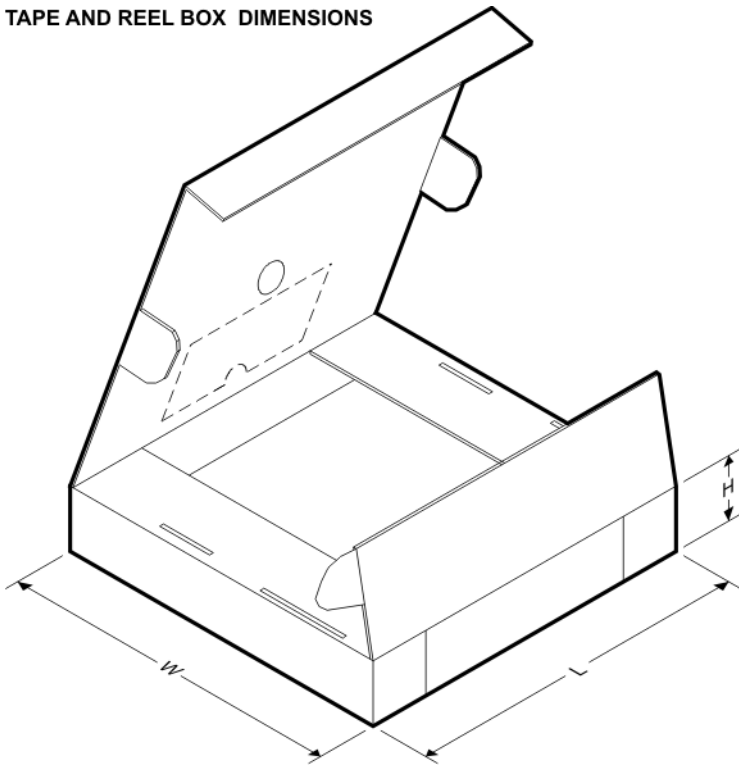
**QUADRANT ASSIGNMENTS FOR PIN 1 ORIENTATION IN TAPE**



\*All dimensions are nominal

Device	Package Type	Package Drawing	Pins	SPQ	Reel Diameter (mm)	Reel Width W1 (mm)	A0 (mm)	B0 (mm)	K0 (mm)	P1 (mm)	W (mm)	Pin1 Quadrant
TAS5036AIPFCR	TQFP	PFC	80	1000	330.0	24.4	15.0	15.0	1.5	20.0	24.0	Q2
TAS5036APFCR	TQFP	PFC	80	1000	330.0	24.4	15.0	15.0	1.5	20.0	24.0	Q2

**TAPE AND REEL BOX DIMENSIONS**

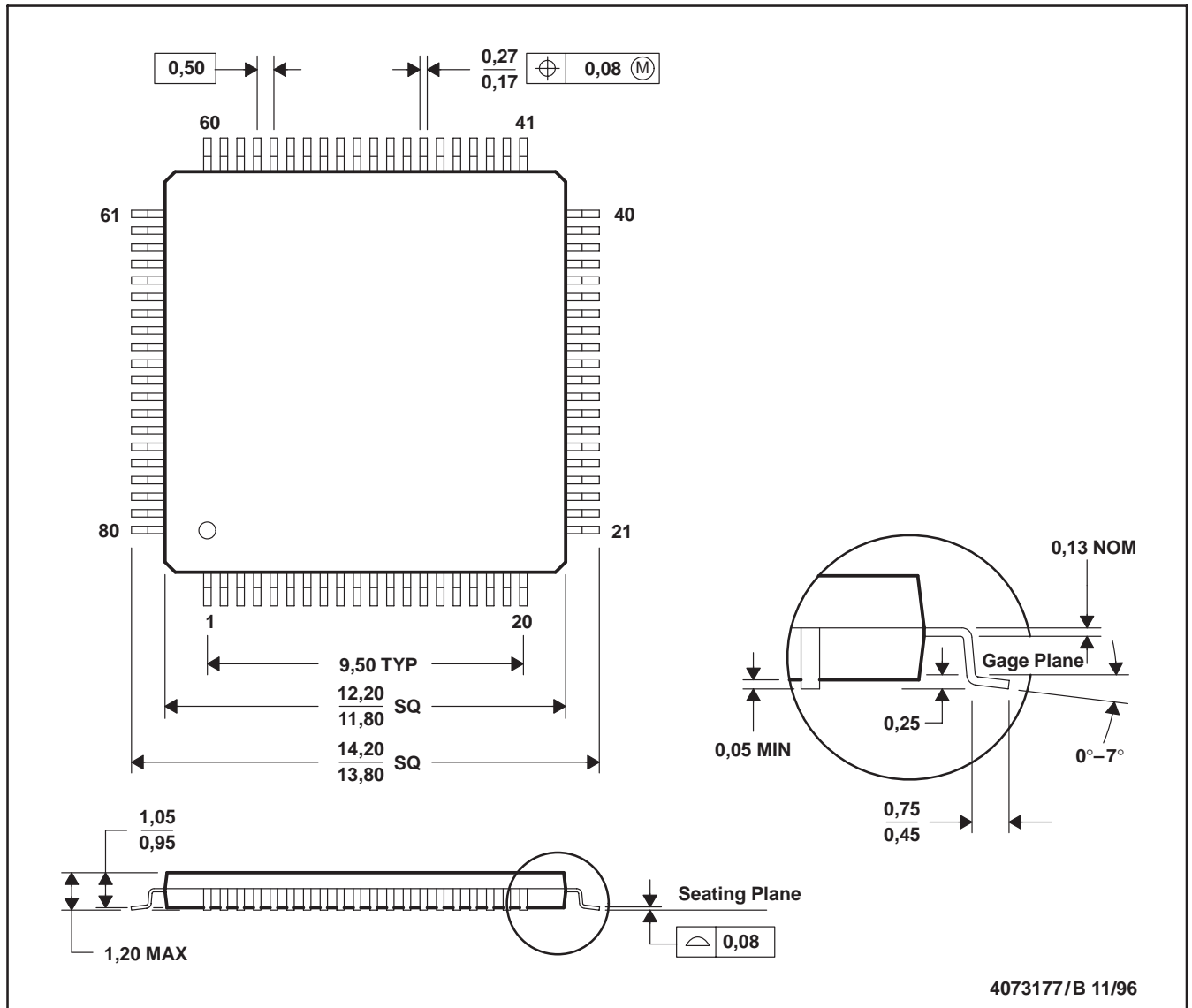


\*All dimensions are nominal

Device	Package Type	Package Drawing	Pins	SPQ	Length (mm)	Width (mm)	Height (mm)
TAS5036AIPFCR	TQFP	PFC	80	1000	346.0	346.0	41.0
TAS5036APFCR	TQFP	PFC	80	1000	346.0	346.0	41.0

PFC (S-PQFP-G80)

PLASTIC QUAD FLATPACK



- NOTES: A. All linear dimensions are in millimeters.  
 B. This drawing is subject to change without notice.  
 C. Falls within JEDEC MS-026