

## High-Frequency 4-A Sink Synchronous MOSFET Drivers

Check for Samples: [TPS28225](#), [TPS28226](#)

### FEATURES

- Drives Two N-Channel MOSFETs with 14-ns Adaptive Dead Time
- Wide Gate Drive Voltage: 4.5 V Up to 8.8 V With Best Efficiency at 7 V to 8 V
- Wide Power System Train Input Voltage: 3 V Up to 27 V
- Wide Input PWM Signals: 2.0 V up to 13.2-V Amplitude
- Capable Drive MOSFETs with  $\geq 40$ -A Current per Phase
- High Frequency Operation: 14-ns Propagation Delay and 10-ns Rise/Fall Time Allow  $F_{SW} - 2$  MHz
- Capable Propagate  $< 30$ -ns Input PWM Pulses
- Low-Side Driver Sink On-Resistance (0.4  $\Omega$ ) Prevents dV/dT Related Shoot-Through Current
- 3-State PWM Input for Power Stage Shutdown
- Space Saving Enable (input) and Power Good (output) Signals on Same Pin
- Thermal Shutdown
- UVLO Protection
- Internal Bootstrap Diode
- Economical SOIC-8 and Thermally Enhanced 3-mm x 3-mm DFN-8 Packages
- High Performance Replacement for Popular 3-State Input Drivers

### APPLICATIONS

- Multi-Phase DC-to-DC Converters with Analog or Digital Control
- Desktop and Server VRMs and EVRDs
- Portable/Notebook Regulators
- Synchronous Rectification for Isolated Power Supplies

### DESCRIPTION

The TPS28225 and TPS28226 are high-speed drivers for N-channel complimentary driven power MOSFETs with adaptive dead-time control. These drivers are optimized for use in variety of high-current one and multi-phase dc-to-dc converters. The TPS28225/6 is a solution that provides highly efficient, small size low EMI emissions.

The performance is achieved by up to 8.8-V gate drive voltage, 14-ns adaptive dead-time control, 14-ns propagation delays and high-current 2-A source and 4-A sink drive capability. The 0.4- $\Omega$  impedance for the lower gate driver holds the gate of power MOSFET below its threshold and ensures no shoot-through current at high dV/dt phase node transitions. The bootstrap capacitor charged by an internal diode allows use of N-channel MOSFETs in half-bridge configuration.

The TPS28225/6 features a 3-state PWM input compatible with all multi-phase controllers employing 3-state output feature. As long as the input stays within 3-state window for the 250-ns hold-off time, the driver switches both outputs low. This shutdown mode prevents a load from the reversed-output-voltage.

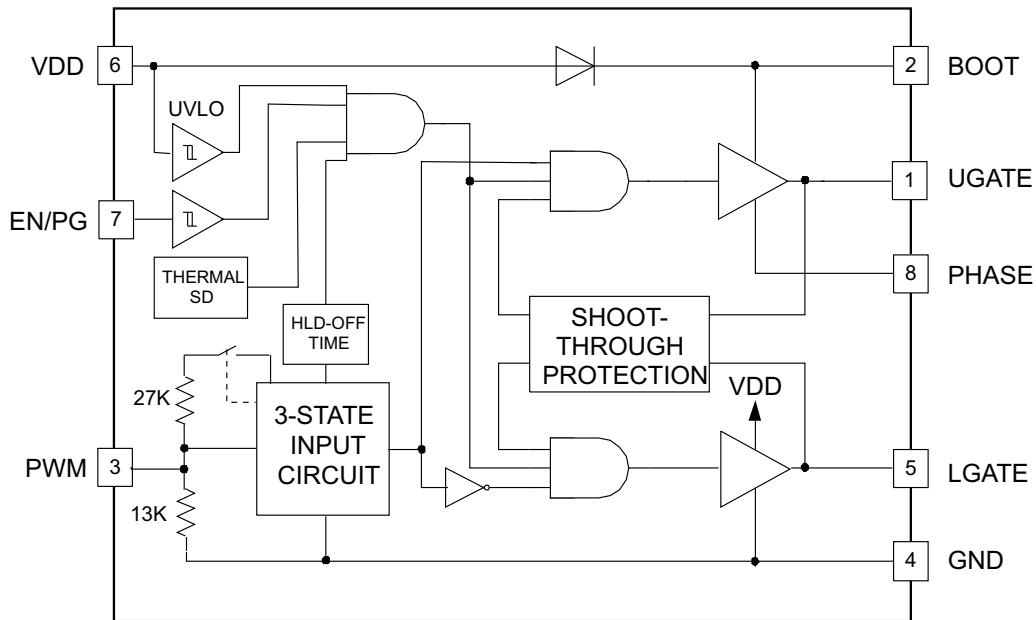
The other features include under voltage lockout, thermal shutdown and two-way enable/power good signal. Systems without 3-state featured controllers can use enable/power good input/output to hold both outputs low during shutting down.

The TPS28225/6 is offered in an economical SOIC-8 and thermally enhanced low-size Dual Flat No-Lead (DFN-8) packages. The driver is specified in the extended temperature range of  $-40^{\circ}\text{C}$  to  $125^{\circ}\text{C}$  with the absolute maximum junction temperature  $150^{\circ}\text{C}$ . The TPS28226 operates in the same manner as the TPS28225/6 other than the input under voltage lock out. **Unless otherwise stated all references to the TPS28225 apply to the TPS28226 also.**



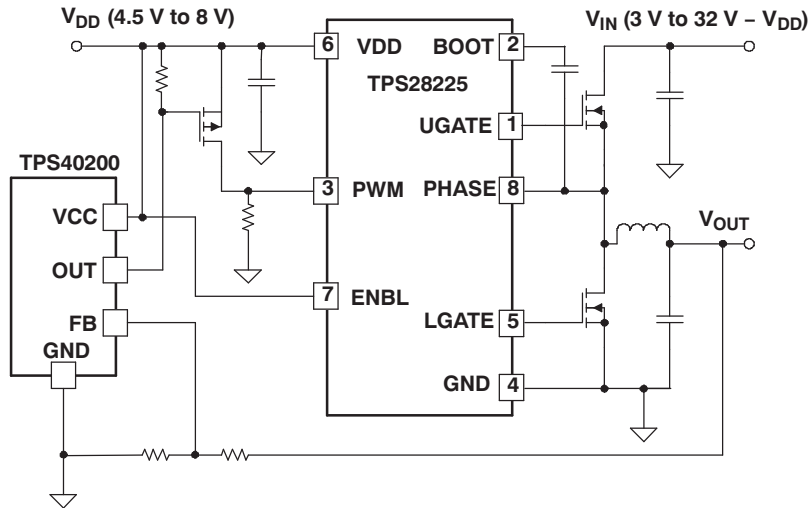
Please be aware that an important notice concerning availability, standard warranty, and use in critical applications of Texas Instruments semiconductor products and disclaimers thereto appears at the end of this data sheet.

**FUNCTIONAL BLOCK DIAGRAM**



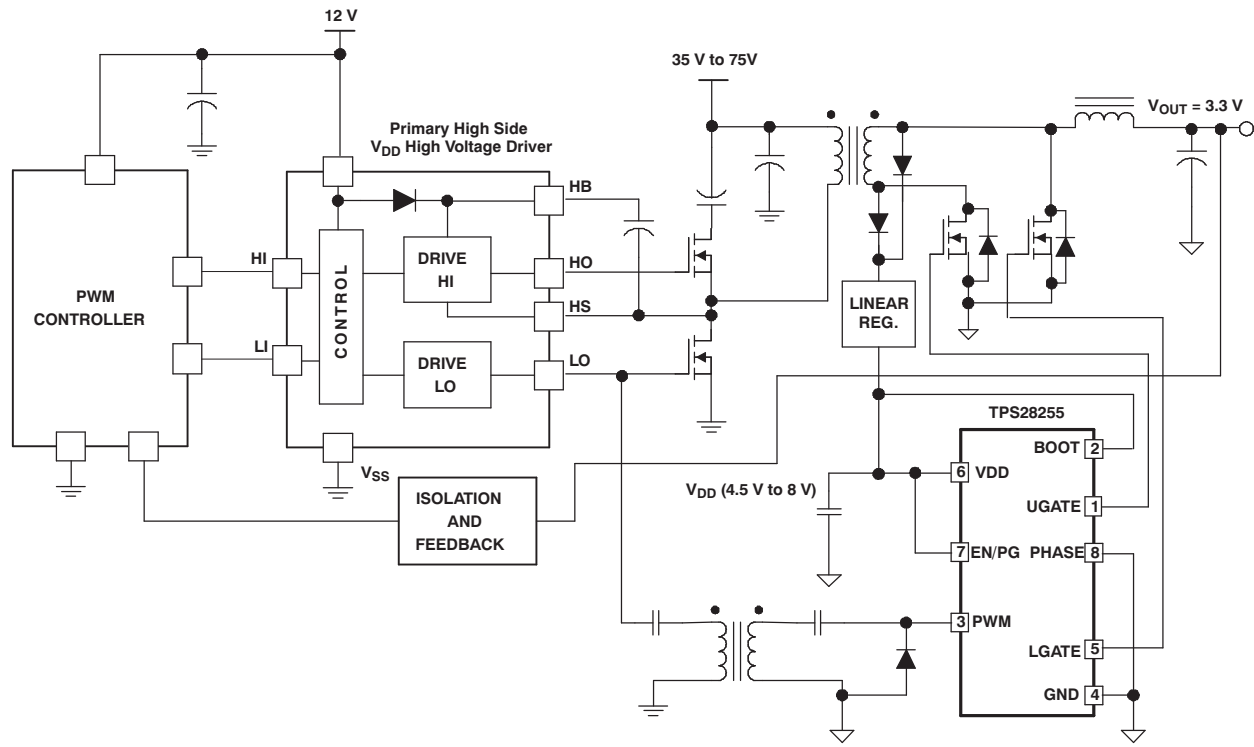
**TYPICAL APPLICATIONS**

**One-Phase POL Regulator**



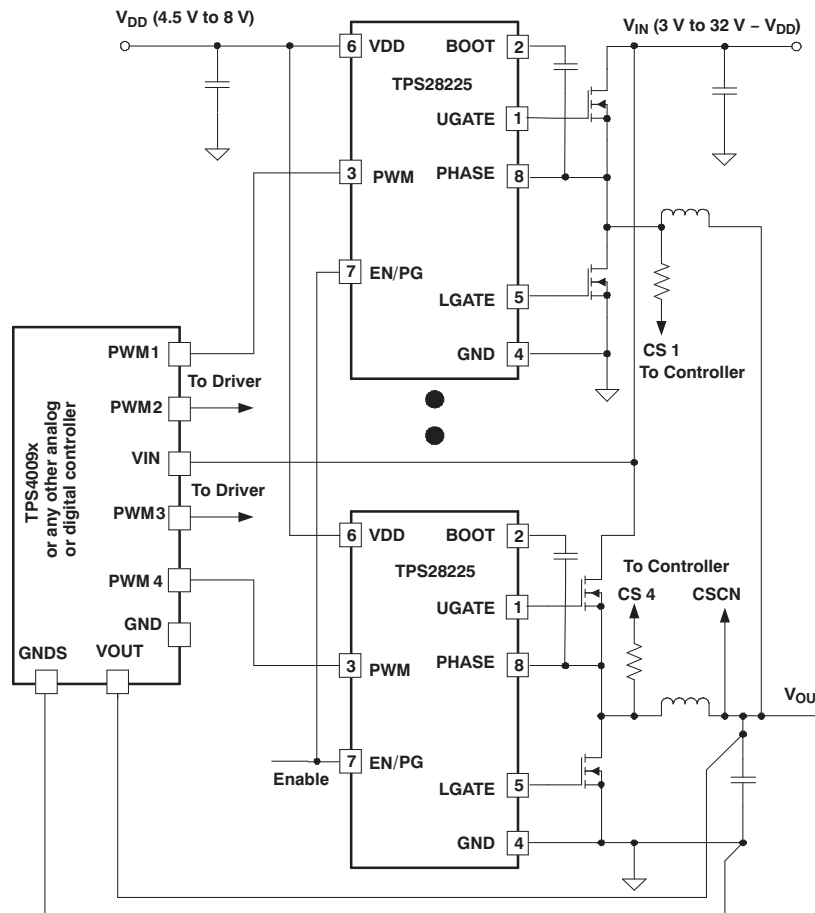
TYPICAL APPLICATIONS (continued)

Driver for Synchronous Rectification with Complementary Driven MOSFETs



TYPICAL APPLICATIONS (continued)

Multi-Phase Synchronous Buck Converter



ORDERING INFORMATION<sup>(1)</sup> (2) (3)

TEMPERATURE RANGE, T <sub>A</sub> = T <sub>J</sub>	PACKAGE	TAPE AND REEL QTY.	PART NUMBER	
			TPS28225	TPS28226
-40°C to 125°C	Plastic 8-pin SOIC (D)	250	TPS28225DT	TPS28226DT
	Plastic 8-pin SOIC (D)	2500	TPS28225DR	TPS28226DR
	Plastic 8-pin DFN (DRB)	250	TPS28225DRBT	TPS28226DRBT
	Plastic 8-pin DFN (DRB)	3000	TPS28225DRBR	TPS28226DRBR

- (1) SOIC-8 (D) and DFN-8 (DRB) packages are available taped and reeled. Add T suffix to device type (e.g. TPS28225DT) to order taped devices and suffix R to device type to order reeled devices.
- (2) The SOIC-8 (D) and DFN-8 (DRB) package uses in Pb-Free lead finish of Pd-Ni-Au which is compatible with MSL level 1 at 255°C to 260°C peak reflow temperature to be compatible with either lead free or Sn/Pb soldering operations.
- (3) In the DFN package, the pad underneath the center of the device is a thermal substrate. The PCB "thermal land" design for this exposed die pad should include thermal vias that drop down and connect to one or more buried copper plane(s). This combination of vias for vertical heat escape and buried planes for heat spreading allows the DFN to achieve its full thermal potential. This pad should be either grounded for best noise immunity, and it should not be connected to other nodes.

## ABSOLUTE MAXIMUM RATINGS

 over operating free-air temperature range (unless otherwise noted) <sup>(1)</sup> <sup>(2)</sup>

TPS28225/6		VALUE	UNIT
Input supply voltage range, $V_{DD}$ <sup>(3)</sup>		-0.3 to 8.8	V
Boot voltage, $V_{BOOT}$		-0.3 to 33	
Phase voltage, $V_{PHASE}$	DC	-2 to 32 or $V_{BOOT} + 0.3 - V_{DD}$ whichever is less	
	Pulse < 400 ns, E = 20 $\mu$ J	-7 to 33.1 or $V_{BOOT} + 0.3 - V_{DD}$ whichever is less	
Input voltage range, $V_{PWM}$ , $V_{EN/PG}$		-0.3 to 13.2	
Output voltage range, $V_{UGATE}$		$V_{PHASE} - 0.3$ to $V_{BOOT} + 0.3$ , ( $V_{BOOT} - V_{PHASE} < 8.8$ )	
	Pulse < 100 ns, E = 2 $\mu$ J	$V_{PHASE} - 2$ to $V_{BOOT} + 0.3$ , ( $V_{BOOT} - V_{PHASE} < 8.8$ )	
Output voltage range, $V_{LGATE}$		-0.3 to $V_{DD} + 0.3$	
	Pulse < 100 ns, E = 2 $\mu$ J	-2 to $V_{DD} + 0.3$	
ESD rating, HBM		2 k	
ESD rating, HBM ESD rating, CDM		500	
Continuous total power dissipation		See Dissipation Rating Table	
Operating virtual junction temperature range, $T_J$		-40 to 150	°C
Operating ambient temperature range, $T_A$		-40 to 125	
Storage temperature, $T_{stg}$		-65 to 150	
Lead temperature (soldering, 10 sec.)		300	

- Stresses beyond those listed under "absolute maximum ratings" may cause permanent damage to the device. These are stress ratings only, and functional operation of the device at these or any other conditions beyond those indicated under "recommended operating conditions" is not implied. Exposure to absolute-maximum-rated conditions for extended periods may affect device reliability.
- These devices are sensitive to electrostatic discharge; follow proper device handling procedures.
- All voltages are with respect to GND unless otherwise noted. Currents are positive into, negative out of the specified terminal. Consult Packaging Section of the Data book for thermal limitations and considerations of packages.

## DISSIPATION RATINGS<sup>(1)</sup>

BOARD	PACKAGE	$R_{\theta JC}$	$R_{\theta JA}$	DERATING FACTOR ABOVE $T_A = 25^\circ\text{C}$	$T_A < 25^\circ\text{C}$ POWER RATING	$T_A = 70^\circ\text{C}$ POWER RATING	$T_A = 85^\circ\text{C}$ POWER RATING
High-K <sup>(2)</sup>	D	39.4°C/W	100°C/W	10 mW/°C	1.25 W	0.8 W	0.65 W
High-K <sup>(3)</sup>	DRB	1.4°C/W	48.5°C/W	20.6 mW/°C	2.58 W	1.65 W	1.34 W

- These thermal data are taken at standard JEDEC test conditions and are useful for the thermal performance comparison of different packages. The cooling condition and thermal impedance  $R_{\theta JA}$  of practical design is specific.
- The JEDEC test board JESD51-7, 3-inch x 3-inch, 4-layer with 1-oz internal power and ground planes and 2-oz top and bottom trace layers.
- The JEDEC test board JESD51-5 with direct thermal pad attach, 3-inch x 3-inch, 4-layer with 1-oz internal power and ground planes and 2-oz top and bottom trace layers.

## RECOMMENDED OPERATING CONDITIONS

over operating free-air temperature range (unless otherwise noted)

		MIN	TYP	MAX	UNIT
$V_{DD}$	Input supply voltage (TPS28225)	4.5	7.2	8	V
	Input supply voltage (TPS28226)	6.8	7.2	8	
$V_{IN}$	Power input voltage for the TPS28225	3	32 $V_{-VDD}$		
$T_J$	Operating junction temperature range	-40		125	°C

**ELECTRICAL CHARACTERISTICS<sup>(1)</sup>**

V<sub>DD</sub> = 7.2 V, EN/PG pulled up to V<sub>DD</sub> by 100-kΩ resistor, T<sub>A</sub> = T<sub>J</sub> = –40°C to 125°C (unless otherwise noted)

PARAMETER		TEST CONDITIONS	MIN	TYP	MAX	UNIT
<b>UNDER VOLTAGE LOCKOUT</b>						
	Rising threshold (TPS28225)	V <sub>PWM</sub> = 0 V	3.2	3.5	3.8	V
	Rising threshold (TPS28226)		6.35	6.70		
	Falling threshold (TPS28225)		2.7	3.0		
	Falling threshold (TPS28226)		4.7	5.0		
	Hysteresis (TPS28225)		0.5			
	Hysteresis (TPS28226)		1.00	1.35		
<b>BIAS CURRENTS</b>						
I <sub>DD(off)</sub>	Bias supply current	V <sub>EN/PG</sub> = low, PWM pin floating	350			μA
I <sub>DD</sub>	Bias supply current	V <sub>EN/PG</sub> = high, PWM pin floating	500			
<b>INPUT (PWM)</b>						
I <sub>PWM</sub>	Input current	V <sub>PWM</sub> = 5 V	185			μA
		V <sub>PWM</sub> = 0 V	–200			
	PWM 3-state rising threshold <sup>(2)</sup>		1.0			V
	PWM 3-state falling threshold	V <sub>PWM</sub> PEAK = 5 V	3.4	3.8	4.0	
t <sub>HLD_R</sub>	3-state shutdown Hold-off time		250			ns
T <sub>MIN</sub>	PWM minimum pulse to force U <sub>GATE</sub> pulse	C <sub>L</sub> = 3 nF at U <sub>GATE</sub> , V <sub>PWM</sub> = 5 V	30			
<b>ENABLE/POWER GOOD (EN/PG)</b>						
	Enable high rising threshold	PG FET OFF	1.7		2.1	V
	Enable low falling threshold	PG FET OFF	0.8	1.0		
	Hysteresis		0.35	0.70		
	Power good output	V <sub>DD</sub> = 2.5 V	0.2			
<b>UPPER GATE DRIVER OUTPUT (UGATE)</b>						
	Source resistance	500 mA source current	1.0	2.0		Ω
	Source current <sup>(2)</sup>	V <sub>UGATE-PHASE</sub> = 2.5 V	2.0			A
t <sub>RU</sub>	Rise time	C <sub>L</sub> = 3 nF	10			ns
	Sink resistance	500 mA sink current	1.0	2.0		Ω
	Sink current <sup>(2)</sup>	V <sub>UGATE-PHASE</sub> = 2.5 V	2.0			A
t <sub>FU</sub>	Fall time	C <sub>L</sub> = 3 nF	10			ns

(1) Typical values for T<sub>A</sub> = 25°C

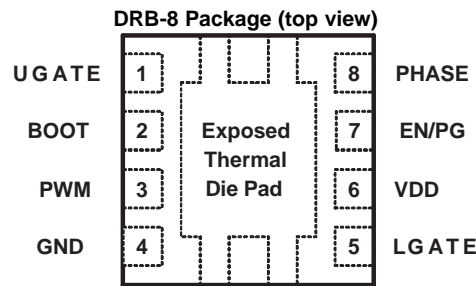
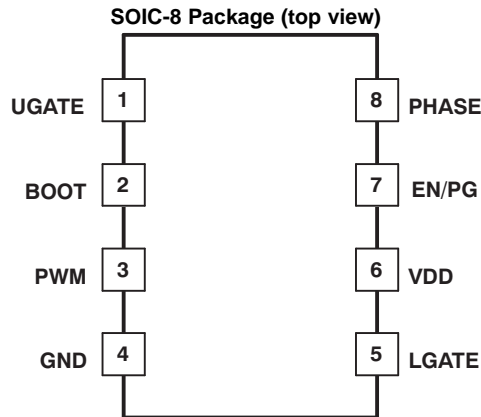
(2) Not tested in production

**ELECTRICAL CHARACTERISTICS <sup>(1)</sup> (continued)**
 $V_{DD} = 7.2\text{ V}$ , EN/PG pulled up to  $V_{DD}$  by 100-k $\Omega$  resistor,  $T_A = T_J = -40^\circ\text{C}$  to  $125^\circ\text{C}$  (unless otherwise noted)

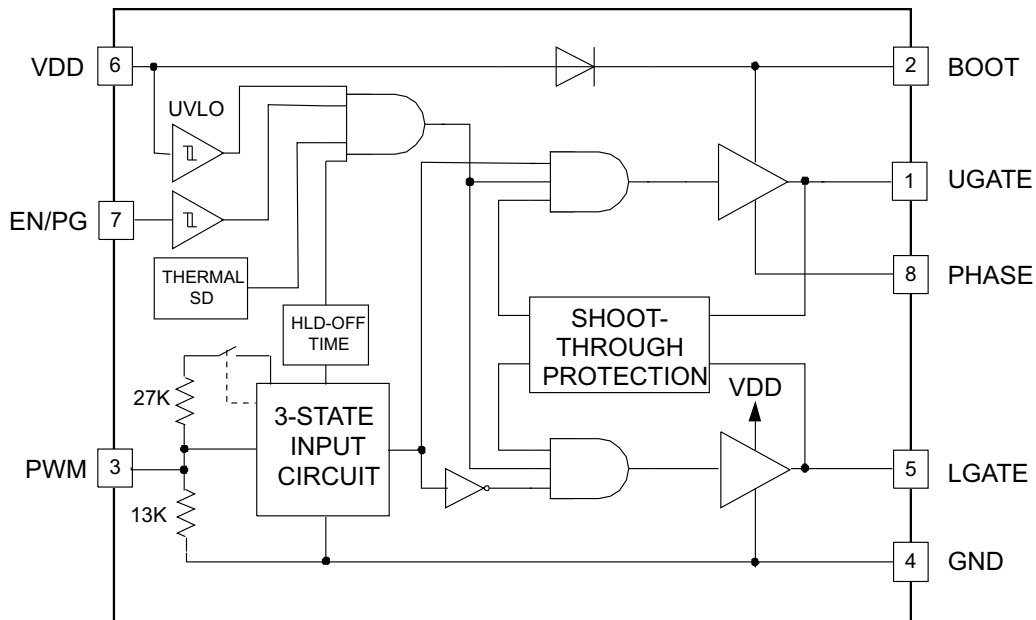
PARAMETER		TEST CONDITIONS	MIN	TYP	MAX	UNIT
<b>LOWER GATE DRIVER OUTPUT (LGATE)</b>						
	Source resistance	500 mA source current		1.0	2.0	$\Omega$
	Source current <sup>(3)</sup>	$V_{LGATE} = 2.5\text{ V}$		2.0		A
$t_{RL}$	Rise time <sup>(3)</sup>	$C_L = 3\text{ nF}$		10		ns
	Sink resistance	500 mA sink current		0.4	1.0	$\Omega$
	Sink current <sup>(3)</sup>	$V_{LGATE} = 2.5\text{ V}$		4.0		A
	Fall time <sup>(3)</sup>	$C_L = 3\text{ nF}$		5		ns
<b>SWITCHING TIME</b>						
$t_{DLU}$	UGATE turn-off propagation Delay	$C_L = 3\text{ nF}$		14		ns
$t_{DLL}$	LGATE turn-off propagation Delay	$C_L = 3\text{ nF}$		14		
$t_{DTU}$	Dead time LGATE turn-off to UGATE turn-on	$C_L = 3\text{ nF}$		14		
$t_{DTL}$	Dead time UGATE turn-off to LGATE turn-on	$C_L = 3\text{ nF}$		14		
<b>BOOTSTRAP DIODE</b>						
$V_F$	Forward voltage	Forward bias current 100 mA		1.0		V
<b>THERMAL SHUTDOWN</b>						
	Rising threshold <sup>(3)</sup>		150	160	170	$^\circ\text{C}$
	Falling threshold <sup>(3)</sup>		130	140	150	
	Hysteresis			20		

(3) Not tested in production

DEVICE INFORMATION



BLOCK DIAGRAM



- A. For the TPS28225DRB device the thermal PAD on the bottom side of package must be soldered and connected to the GND pin and to the GND plane of the PCB in the shortest possible way. See Recommended Land Pattern in the Application section.

### TERMINAL FUNCTIONS

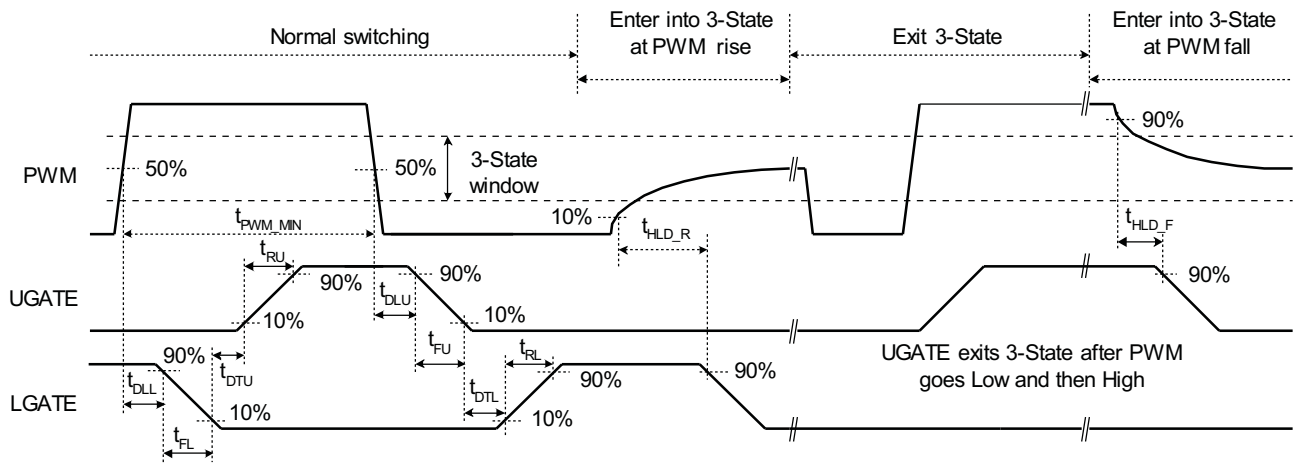
TERMINAL			I/O	DESCRIPTION
SOIC-8	DRB-8	NAME		
1	1	UGATE	O	Upper gate drive sink/source output. Connect to gate of high-side power N-Channel MOSFET.
2	2	BOOT	I/O	Floating bootstrap supply pin for the upper gate drive. Connect the bootstrap capacitor between this pin and the PHASE pin. The bootstrap capacitor provides the charge to turn on the upper MOSFET.
3	3	PWM	I	The PWM signal is the control input for the driver. The PWM signal can enter three distinct states during operation, see the 3-state PWM Input section under DETAILED DESCRIPTION for further details. Connect this pin to the PWM output of the controller.
4	4	GND	—	Ground pin. All signals are referenced to this node.
	Exposed die pad	Thermal pad	—	Connect directly to the GND for better thermal performance and EMI
5	5	LGATE	O	Lower gate drive sink/source output. Connect to the gate of the low-side power N-Channel MOSFET.
6	6	VDD	I	Connect this pin to a 5-V bias supply. Place a high quality bypass capacitor from this pin to GND.
7	7	EN/PG	I/O	Enable/Power Good input/output pin with 1M $\Omega$ impedance. Connect this pin to HIGH to enable and LOW to disable the device. When disabled, the device draws less than 350 $\mu$ A bias current. If the V <sub>DD</sub> is below UVLO threshold or over temperature shutdown occurs, this pin is internally pulled low.
8	8	PHASE	I	Connect this pin to the source of the upper MOSFET and the drain of the lower MOSFET. This pin provides a return path for the upper gate driver.

### TRUTH TABLE

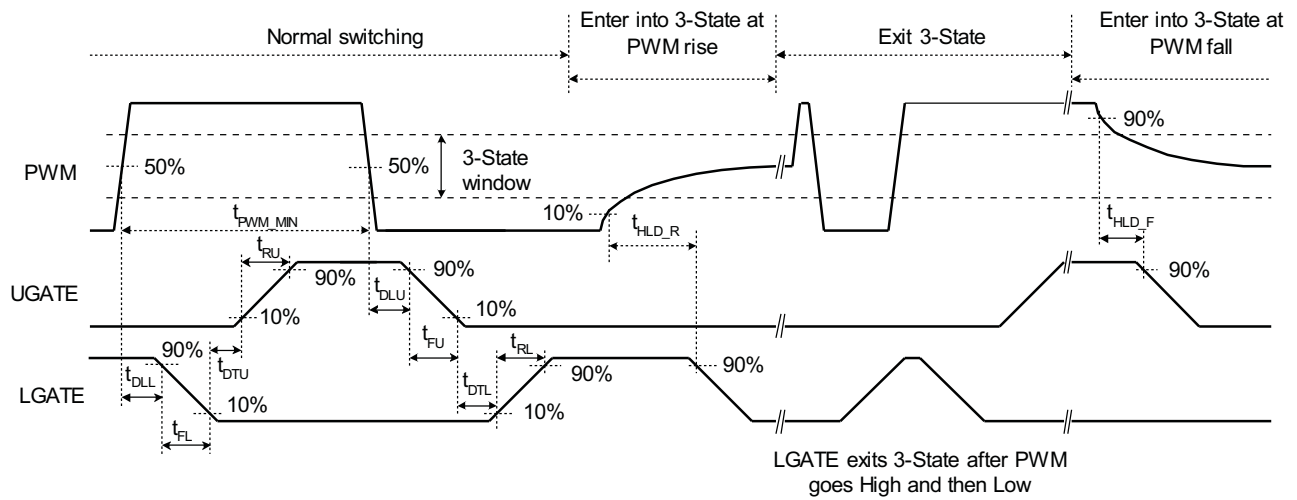
PIN	V <sub>DD</sub> RISING < 3.5 V OR T <sub>J</sub> > 160°C	V <sub>DD</sub> FALLING > 3 V AND T <sub>J</sub> < 150°C			
		EN/PG RISING < 1.7 V	EN/PG FALLING > 1.0 V		
			PWM < 1 V	PWM > 1.5 V AND T <sub>RISE</sub> /T <sub>FALL</sub> < 200 ns	PWM SIGNAL SOURCE IMPEDANCE >40 k $\Omega$ FOR > 250ns (3-State) <sup>(1)</sup>
LGATE	Low	Low	High	Low	Low
UGATE	Low	Low	Low	High	Low
EN/PG	Low				

- (1) To exit the 3-state condition, the PWM signal should go low. One Low PWM input signal followed by one High PWM input signal is required before re-entering the 3-state condition.

**TPS28225 TIMING DIAGRAM**



**TPS28226 TIMING DIAGRAM**



TYPICAL CHARACTERISTICS

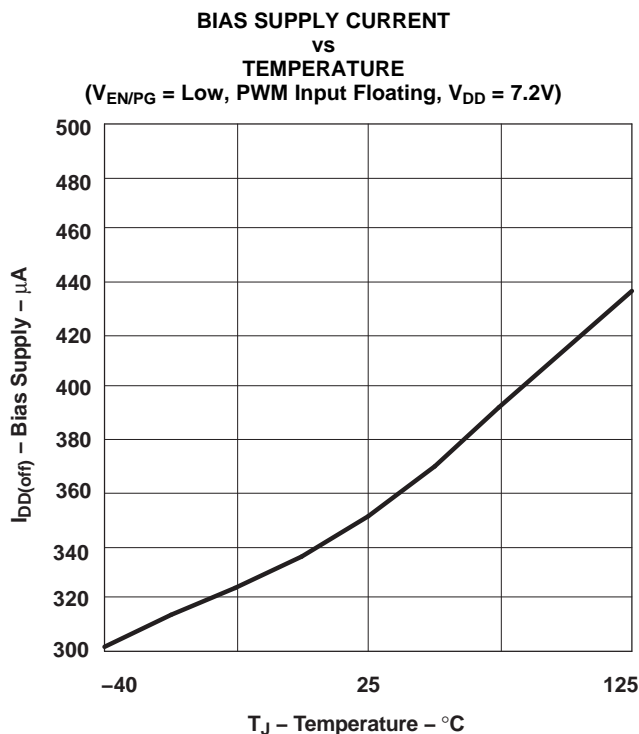


Figure 1.

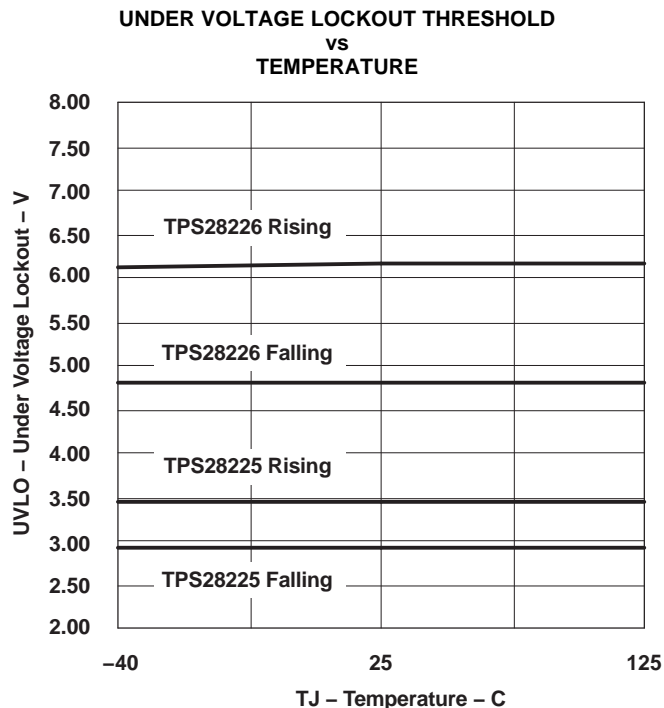


Figure 2.

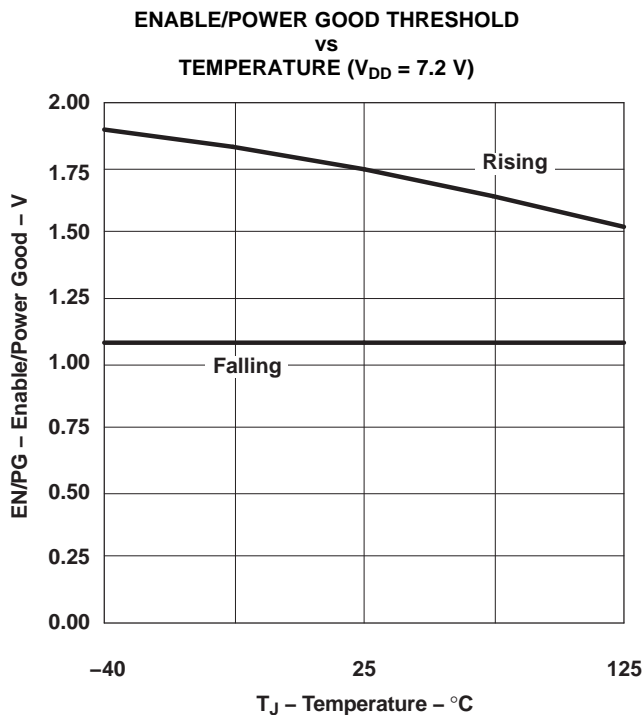


Figure 3.

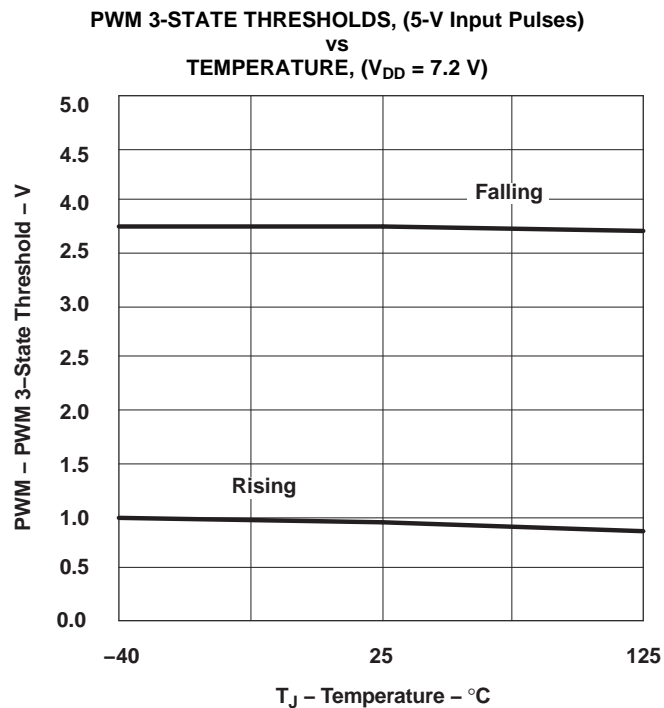


Figure 4.

TYPICAL CHARACTERISTICS (continued)

UGATE DC OUTPUT IMPEDANCE  
VS  
TEMPERATURE, ( $V_{DD} = 7.2\text{ V}$ )

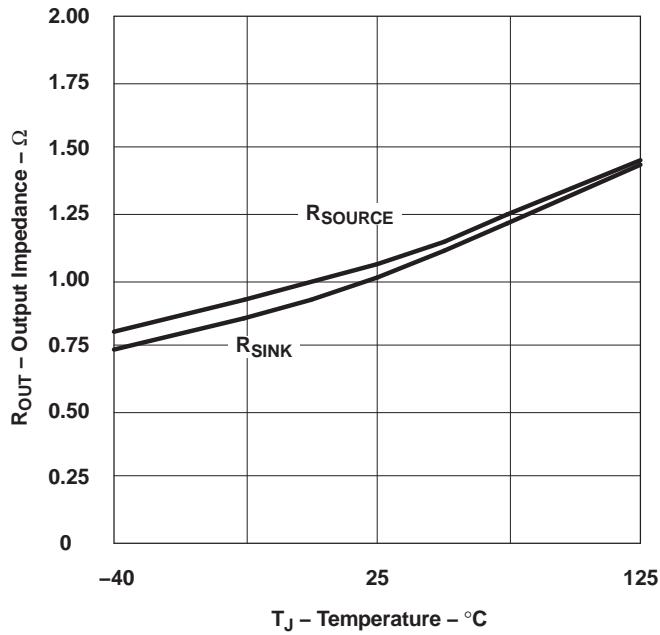


Figure 5.

LGATE DC OUTPUT IMPEDANCE  
VS  
TEMPERATURE ( $V_{DD} = 7.2\text{ V}$ )

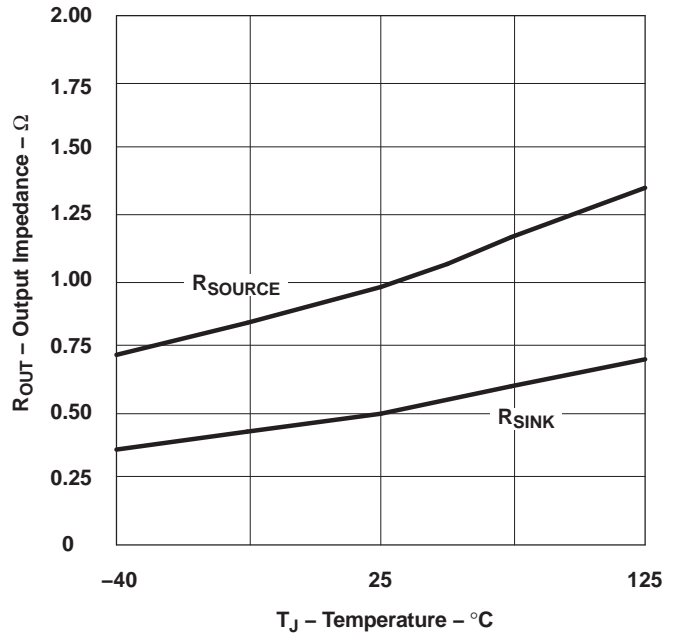


Figure 6.

UGATE RISE AND FALL TIME  
VS  
TEMPERATURE ( $V_{DD} = 7.2\text{ V}$ ,  $C_{LOAD} = 3\text{ nF}$ )

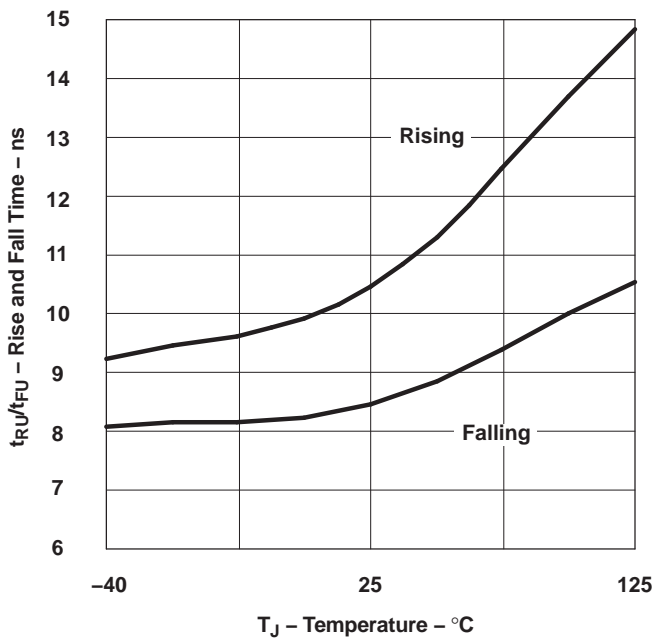


Figure 7.

LGATE RISE AND FALL TIME  
VS  
TEMPERATURE ( $V_{DD} = 7.2\text{ V}$ ,  $C_{LOAD} = 3\text{ nF}$ )

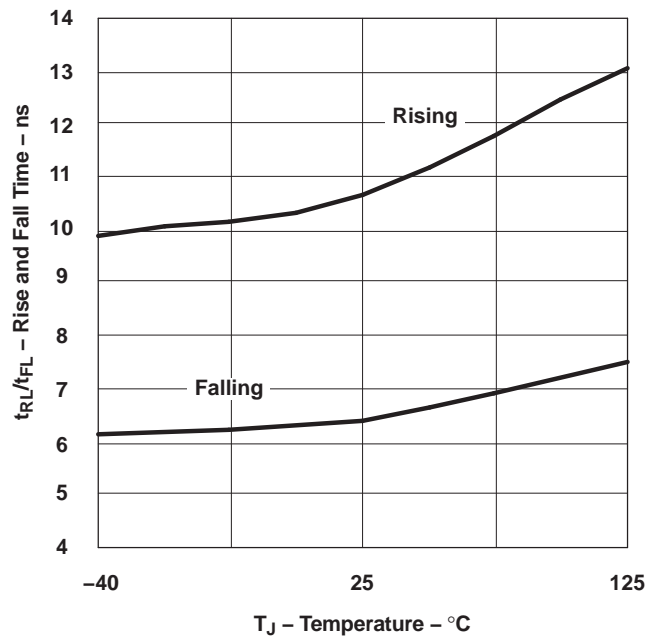


Figure 8.

TYPICAL CHARACTERISTICS (continued)

UGATE AND LGATE (Turning OFF Propagation Delays)  
vs  
TEMPERATURE (V<sub>DD</sub> = 7.2 V, C<sub>LOAD</sub> = 3 nF)

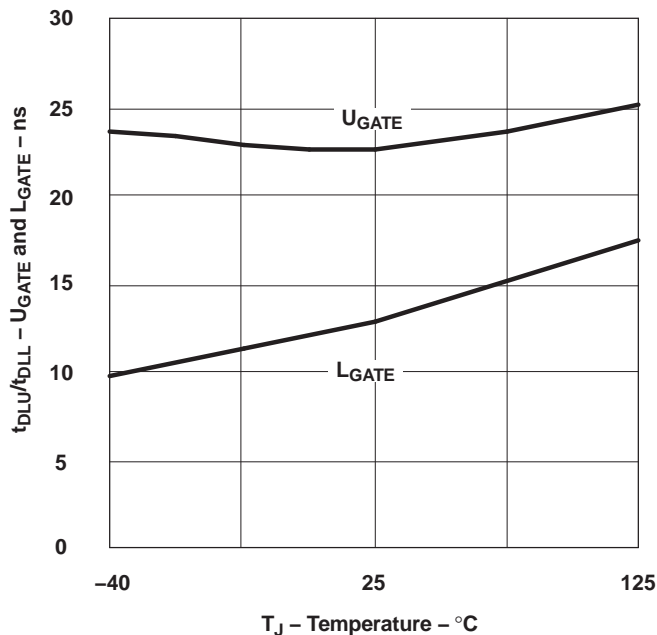


Figure 9.

UGATE AND LGATE (Dead Time)  
vs  
TEMPERATURE (V<sub>DD</sub> = 7.2 V, C<sub>LOAD</sub> = 3 nF)

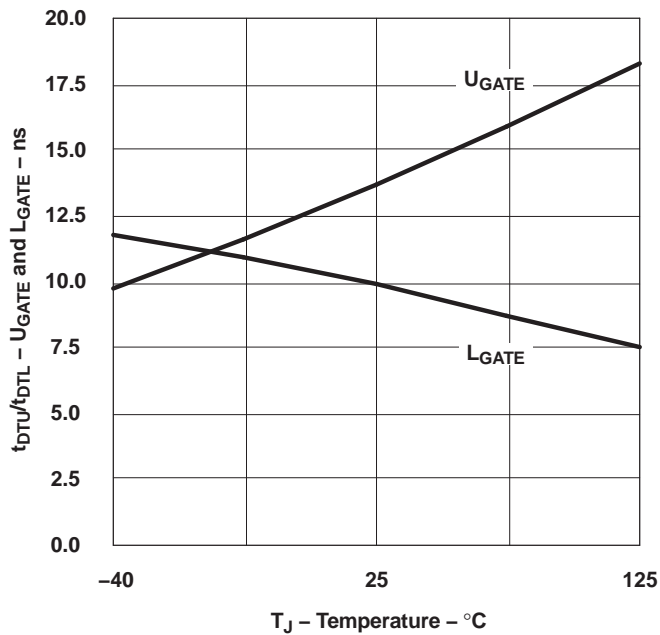


Figure 10.

UGATE MINIMUM SHORT PULSE  
vs  
TEMPERATURE (V<sub>DD</sub> = 7.2 V, C<sub>LOAD</sub> = 3 nF)

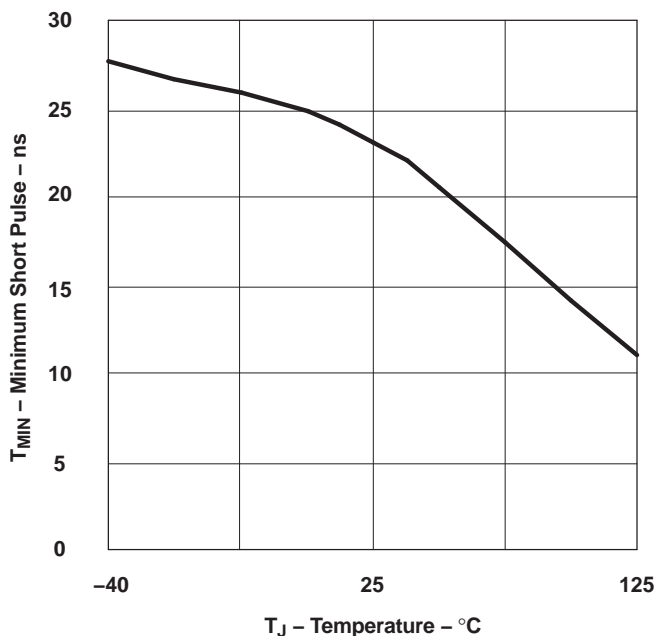


Figure 11.

BOOTSTRAP DIODE FORWARD VOLTAGE  
vs  
TEMPERATURE (V<sub>DD</sub> = 7.2 V, I<sub>F</sub> = 100 mA)

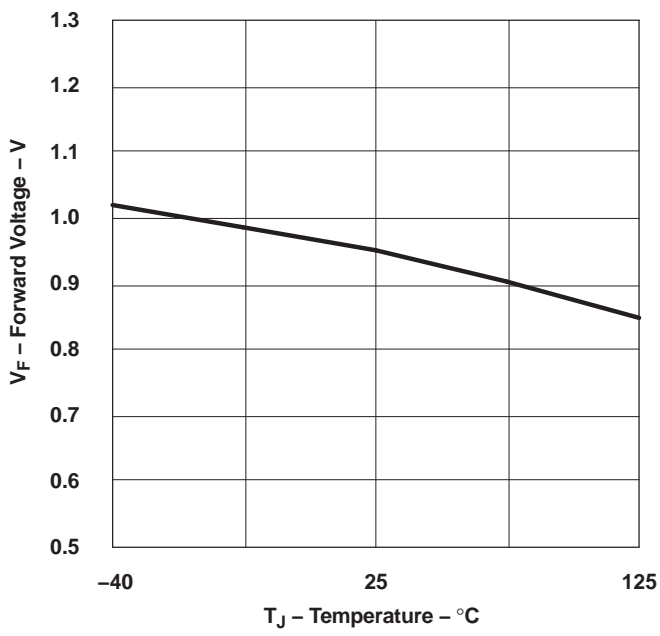


Figure 12.

TYPICAL CHARACTERISTICS (continued)

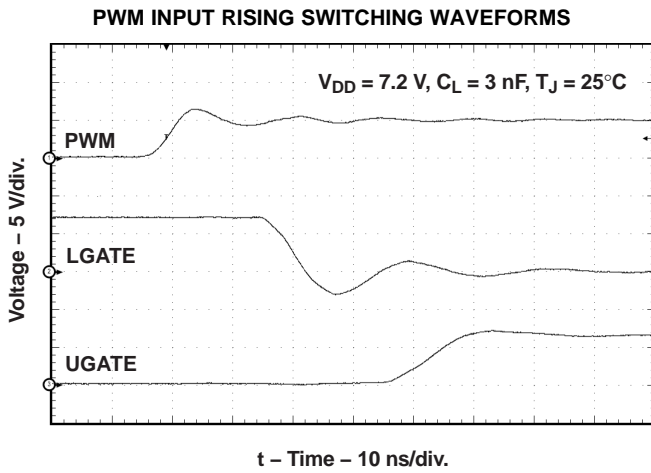
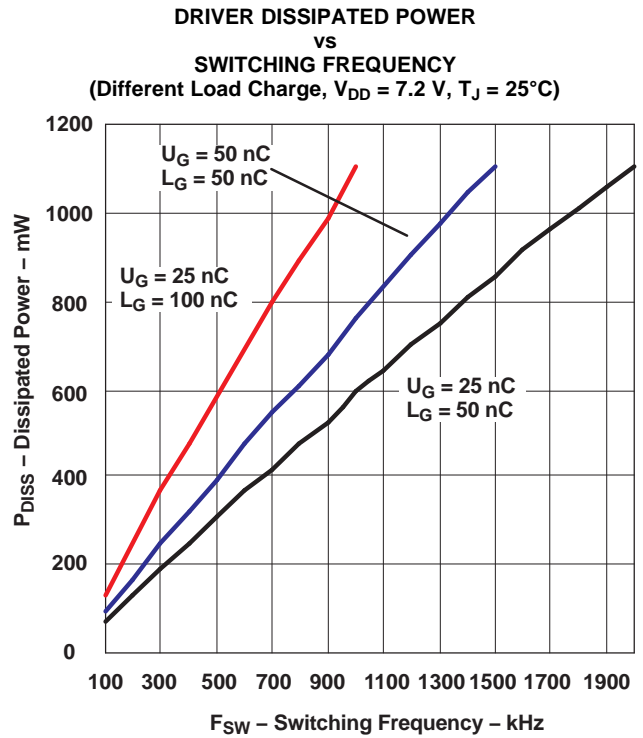
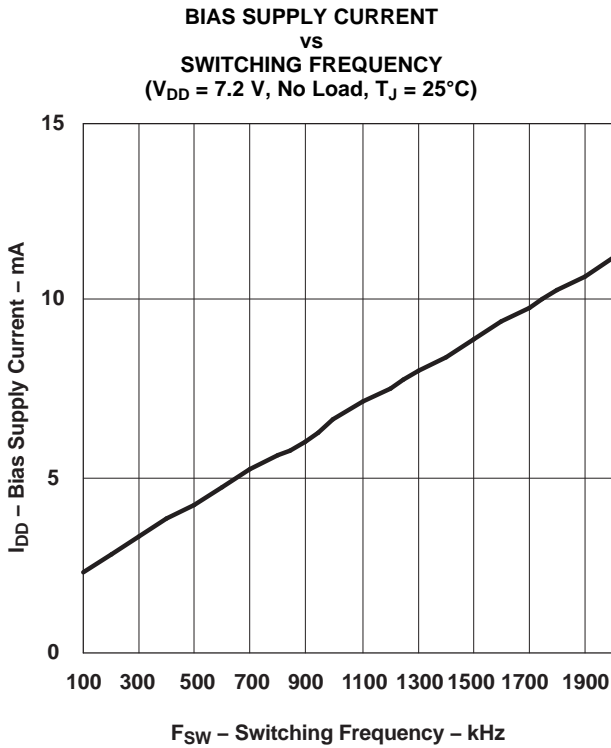


Figure 15.

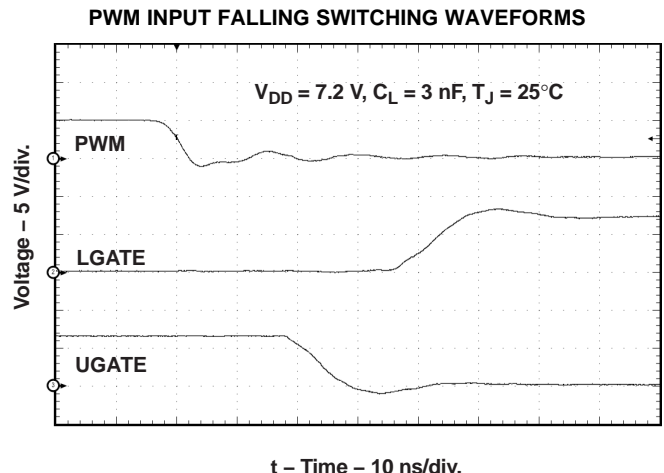
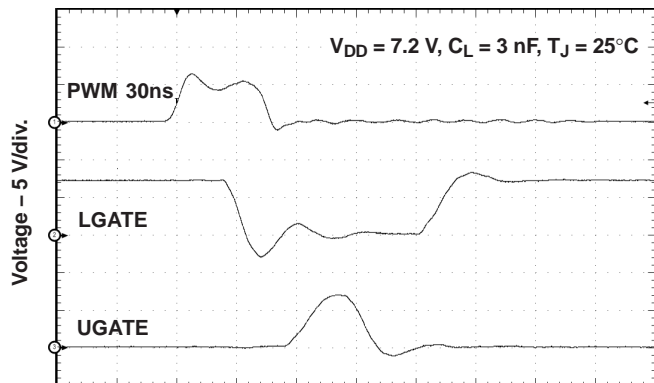


Figure 16.

TYPICAL CHARACTERISTICS (continued)

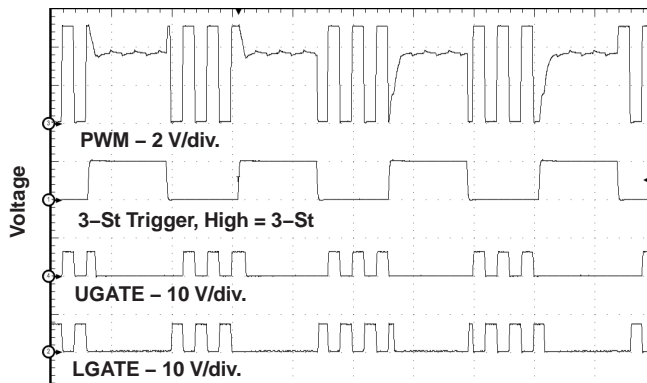
MINIMUM UGATE PULSE SWITCHING WAVEFORMS



t - Time - 20 ns/div.

Figure 17.

NORMAL AND 3-STATE OPERATION  
ENTER/EXIT CONDITIONS



t - Time - 5  $\mu\text{s}$ /div.

Figure 18.

## DETAILED DESCRIPTION

### Under Voltage Lockout (UVLO)

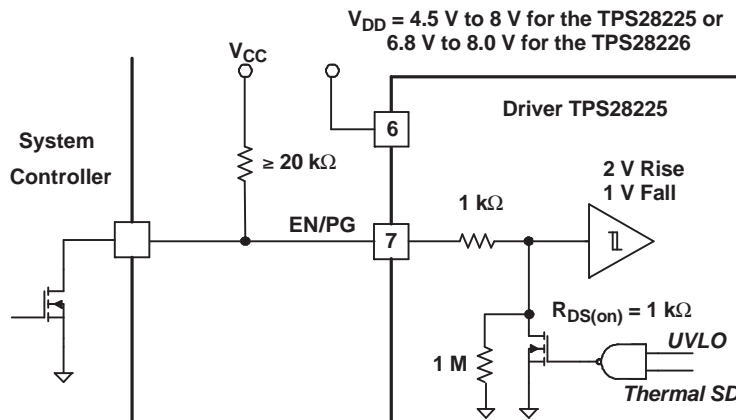
The TPS28225/6 incorporates an under voltage lockout circuit that keeps the driver disabled and external power FETs in an OFF state when the input supply voltage  $V_{DD}$  is insufficient to drive external power FETs reliably. During power up, both gate drive outputs remain low until voltage  $V_{DD}$  reaches UVLO threshold, typically 3.5 V for the TPS28225/6 and 6.35 V for the TPS28226. Once the UVLO threshold is reached, the condition of gate drive outputs is defined by the input PWM and EN/PG signals. During power down the UVLO threshold is set lower, typically 3.0 V for the TPS28225/6 and 5.0 V for the TPS28226. The 0.5-V for the TPS28225/6 and 1.35 V for the TPS28226 hysteresis is selected to prevent the driver from turning ON and OFF while the input voltage crosses UVLO thresholds, especially with low slew rate. The TPS28225/6 has the ability to send a signal back to the system controller that the input supply voltage  $V_{DD}$  is insufficient by internally pulling down the EN/PG pin. The TPS28225/6 releases EN/PG pin immediately after the  $V_{DD}$  has risen above the UVLO threshold.

### Output Active Low

The output active low circuit effectively keeps the gate outputs low even if the driver is not powered up. This prevents open gate conditions on the external power FETs and accidental turn ON when the main power stage supply voltage is applied before the driver is powered up. For the simplicity, the output active low circuit is shown in a block diagram as the resistor connected between LGATE and GND pins with another one connected between UGATE and PHASE pins.

## Enable/Power Good

The Enable/Power Good circuit allows the TPS28225/6 to follow the PWM input signal when the voltage at EN/PG pin is above 2.1 V maximum. This circuit has a unique two-way communication capability. This is illustrated by [Figure 19](#).



**Figure 19. Enable/Power Good Circuit**

The EN/PG pin has approximately 1-k $\Omega$  internal series resistor. Pulling EN/PG high by an external  $\geq 20$ -k $\Omega$  resistor allows two-way communication between controller and driver. If the input voltage  $V_{DD}$  is below UVLO threshold or thermal shut down occurs, the internal MOSFET pulls EN/PG pin to GND through 1-k $\Omega$  resistor. The voltage across the EN/PG pin is now defined by the resistor divider comprised by the external pull up resistor, 1-k $\Omega$  internal resistor and the internal FET having 1-k $\Omega$   $R_{DS(on)}$ . Even if the system controller allows the driver to start by setting its own enable output transistor OFF, the driver keeps the voltage at EN/PG low. Low EN/PG signal indicates that the driver is not ready yet because the supply voltage  $V_{DD}$  is low or that the driver is in thermal shutdown mode. The system controller can arrange the delay of PWM input signals coming to the driver until the driver releases EN/PG pin. If the input voltage  $V_{DD}$  is back to normal, or the driver is cooled down below its lower thermal shutdown threshold, then the internal MOSFET releases the EN/PG pin and normal operation resumes under the external Enable signal applied to EN/PG input. Another feature includes an internal 1-M $\Omega$  resistor that pulls EN/PG pin low and disables the driver in case the system controller accidentally loses connection with the driver. This could happen if, for example, the system controller is located on a separate PCB daughter board.

The EN/PG pin can serve as the second pulse input of the driver additionally to PWM input. The delay between EN/PG and the UGATE going high, provided that PWM input is also high, is only about 30ns. If the PWM input pulses are synchronized with EN/PG input, then when PWM and EN/PG are high, the UGATE is high and LGATE is low. If both PWM and EN/PG are low, then UGATE and LGATE are both low as well. This means the driver allows operation of a synchronous buck regulator as a conventional buck regulator using the body diode of the low side power MOSFET as the freewheeling diode. This feature can be useful in some specific applications to allow startup with a pre-biased output or, to improve the efficiency of buck regulator when in power saving mode with low output current.

### 3-State Input

As soon as the EN/PG pin is set high and input PWM pulses are initiated (see Note below). The dead-time control circuit ensures that there is no overlapping between UGATE and LGATE drive outputs to eliminate shoot through current through the external power FETs. Additionally to operate under periodical pulse sequencing, the TPS28225/6 has a self-adjustable PWM 3-state input circuit. The 3-state circuit sets both gate drive outputs low, and thus turns the external power FETs OFF if the input signal is in a high impedance state for at least 250 ns typical. At this condition, the PWM input voltage level is defined by the internal 27kΩ to 13kΩ resistor divider shown in the block diagram. This resistor divider forces the input voltage to move into the 3-state window. Initially the 3-state window is set between 1.0-V and 2.0-V thresholds. The lower threshold of the 3-state window is always fixed at about 1.0 V. The higher threshold is adjusted to about 75% of the input signal amplitude. The self-adjustable upper threshold allows shorter delay if the input signal enters the 3-state window while the input signal was high, thus keeping the high-side power FET in ON state just slightly longer than 250 ns time constant set by an internal 3-state timer. Both modes of operation, PWM input pulse sequencing and the 3-state condition, are illustrated in the timing diagrams shown in Figure 18. The self-adjustable upper threshold allows operation in wide range amplitude of input PWM pulse signals. The waveforms in Figure 20 and Figure 21 illustrates the TPS28225 operation at normal and 3-state mode with the input pulse amplitudes 6 V and 2.5 V accordingly. After entering into the 3-state window and staying within the window for the hold-off time, the PWM input signal level is defined by the internal resistor divider and, depending on the input pulse amplitude, can be pulled up above the normal PWM pulse amplitude (Figure 21) or down below the normal input PWM pulse (Figure 20).

#### TPS28225 3-State Exit Mode:

- To exit the 3-state operation mode, the PWM signal should go low and then high at least once.

#### TPS28226 3-State Exit Mode:

- To exit the 3-state operation mode, the PWM signal should go high and then low at least once.

This is necessary to restore the voltage across the bootstrap capacitor that could be discharged during the 3-state mode if the 3-state condition lasts long enough.

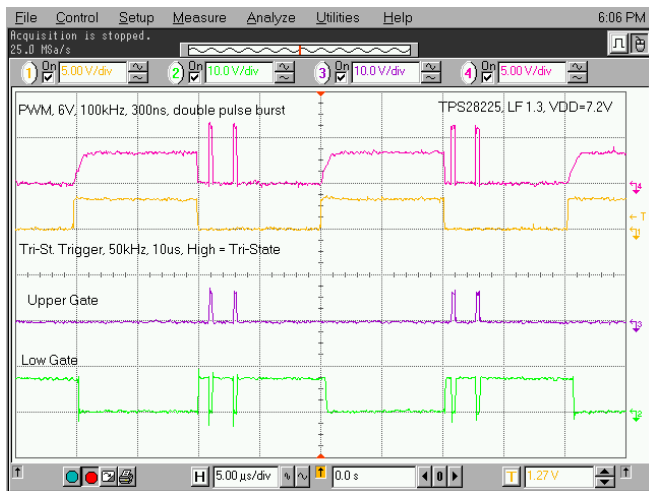


Figure 20. 6-V Amplitude PWM Pulse (TPS28225)

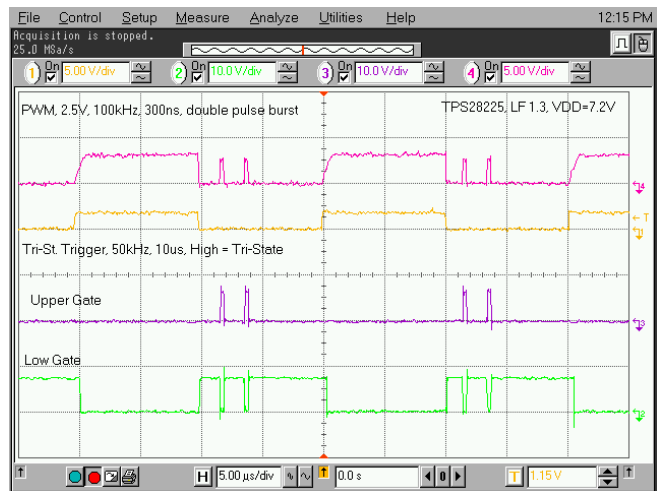


Figure 21. 2.5-V Amplitude PWM Pulse (TPS28225)

#### NOTE

The driver sets UGATE low and LGATE high when PWM is low. When the PWM goes high, UGATE goes high and LGATE goes low.

**IMPORTANT NOTE:** Any external resistor between PWM input and GND with the value lower than 40kΩ can interfere with the 3-state thresholds. If the driver is intended to operate in the 3-state mode, any resistor below 40kΩ at the PWM and GND should be avoided. A resistor lower than 3.5kΩ connected between the PWM and GND completely disables the 3-state function. In such case, the 3-state window shrinks to zero and the lower 3-state threshold becomes the boundary between the UGATE staying low and LGATE being high and vice versa depending on the PWM input signal applied. It is not necessary to use a resistor <3.5kΩ to avoid the 3-state condition while using a controller that is 3-state capable. If the rise and fall time of the input PWM signal is shorter than 250ns, then the driver never enter into the 3-state mode.

In the case where the low-side MOSFET of a buck converter stays on during shutdown, the 3-state feature can be fused to avoid negative resonant voltage across the output capacitor. This feature also can be used during start up with a pre-biased output in the case where pulling the output low during the startup is not allowed due to system requirements. If the system controller does not have the 3-state feature and never goes into the high-impedance state, then setting the EN/PG signal low will keep both gate drive outputs low and turn both low- and high-side MOSFETs OFF during the shut down and start up with the pre-biased output.

The self-adjustable input circuit accepts wide range of input pulse amplitudes (2V up to 13.2V) allowing use of a variety of controllers with different outputs including logic level. The wide PWM input voltage allows some flexibility if the driver is used in secondary side synchronous rectifier circuit. The operation of the TPS28225/6 with a 12-V input PWM pulse amplitude, and with  $V_{DD} = 7.2V$  and  $V_{DD} = 5V$  respectively is shown in Figure 22 and Figure 23.



Figure 22. 12-V PWM Pulse at  $V_{DD} = 7.2 V$

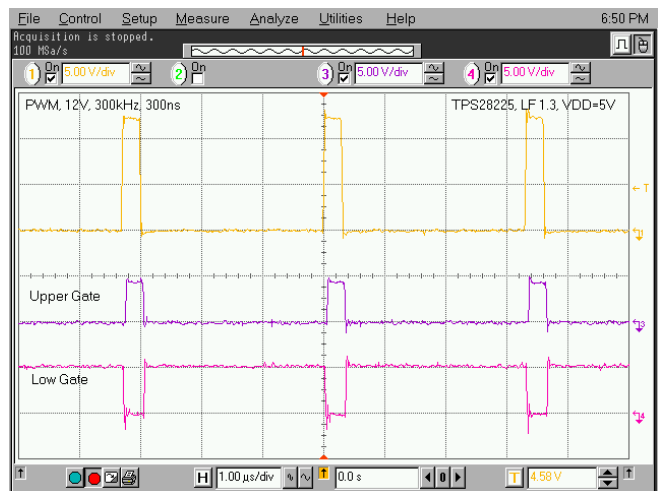


Figure 23. 12-V PWM Pulse at  $V_{DD} = 5 V$

## Bootstrap Diode

The bootstrap diode provides the supply voltage for the UGATE driver by charging the bootstrap capacitor connected between BOOT and PHASE pins from the input voltage VDD when the low-side FET is in ON state. At the very initial stage when both power FETs are OFF, the bootstrap capacitor is pre-charged through this path including the PHASE pin, output inductor and large output capacitor down to GND. The forward voltage drop across the diode is only 1.0V at bias current 100 mA. This allows quick charge restore of the bootstrap capacitor during the high-frequency operation.

## Upper And Lower Gate Drivers

The upper and lower gate drivers charge and discharge the input capacitance of the power MOSFETs to allow operation at switching frequencies up to 2 MHz. The output stage consists of a P-channel MOSFET providing source output current and an N-channel MOSFET providing sink current through the output stage. The ON state resistances of these MOSFETs are optimized for the synchronous buck converter configuration working with low duty cycle at the nominal steady state condition. The UGATE output driver is capable of propagating PWM input pulses of less than 30-ns while still maintaining proper dead time to avoid any shoot through current conditions. The waveforms related to the narrow input PWM pulse operation are shown in [Figure 17](#).

## Dead-Time Control

The dead-time control circuit is critical for highest efficiency and no shoot through current operation throughout the whole duty cycle range with the different power MOSFETs. By sensing the output of driver going low, this circuit does not allow the gate drive output of another driver to go high until the first driver output falls below the specified threshold. This approach to control the dead time is called adaptive. The overall dead time also includes the fixed portion to ensure that overlapping never exists. The typical dead time is around 14 ns, although it varies over the driver internal tolerances, layout and external MOSFET parasitic inductances. The proper dead time is maintained whenever the current through the output inductor of the power stage flows in the forward or reverse direction. Reverse current could happen in a buck configuration during the transients or while dynamically changing the output voltage on the fly, as some microprocessors require. Because the dead time does not depend on inductor current direction, this driver can be used both in buck and boost regulators or in any bridge configuration where the power MOSFETs are switching in a complementary manner. Keeping the dead time at short optimal level boosts efficiency by 1% to 2% depending on the switching frequency. Measured switching waveforms in one of the practical designs show 10-ns dead time for the rising edge of PHASE node and 22 ns for the falling edge ([Figure 29](#) and [Figure 30](#) in the Application Section of the data sheet).

Large non-optimal dead time can cause duty cycle modulation of the dc-to-dc converter during the operation point where the output inductor current changes its direction right before the turn ON of the high-side MOSFET. This modulation can interfere with the controller operation and it impacts the power stage frequency response transfer function. As the result, some output ripple increase can be observed. The TPS28225/6 driver is designed with the short adaptive dead time having fixed delay portion that eliminates risk of the effective duty cycle modulation at the described boundary condition.

## Thermal Shutdown

If the junction temperature exceeds 160°C, the thermal shutdown circuit will pull both gate driver outputs low and thus turning both, low-side and high-side power FETs OFF. When the driver cools down below 140°C after a thermal shutdown, then it resumes its normal operation and follows the PWM input and EN/PG signals from the external control circuit. While in thermal shutdown state, the internal MOSFET pulls the EN/PG pin low, thus setting a flag indicating the driver is not ready to continue normal operation. Normally the driver is located close to the MOSFETs, and this is usually the hottest spots on the PCB. Thus, the thermal shutdown feature of TPS28225/6 can be used as an additional protection for the whole system from overheating.

## APPLICATION INFORMATION

### Switching The MOSFETs

Driving the MOSFETs efficiently at high switching frequencies requires special attention to layout and the reduction of parasitic inductances. Efforts need to be done both at the driver's die and package level and at the PCB layout level to keep the parasitic inductances as low as possible. Figure 24 shows the main parasitic inductances and current flow during turning ON and OFF of the MOSFET by charging its  $C_{GS}$  gate capacitance.

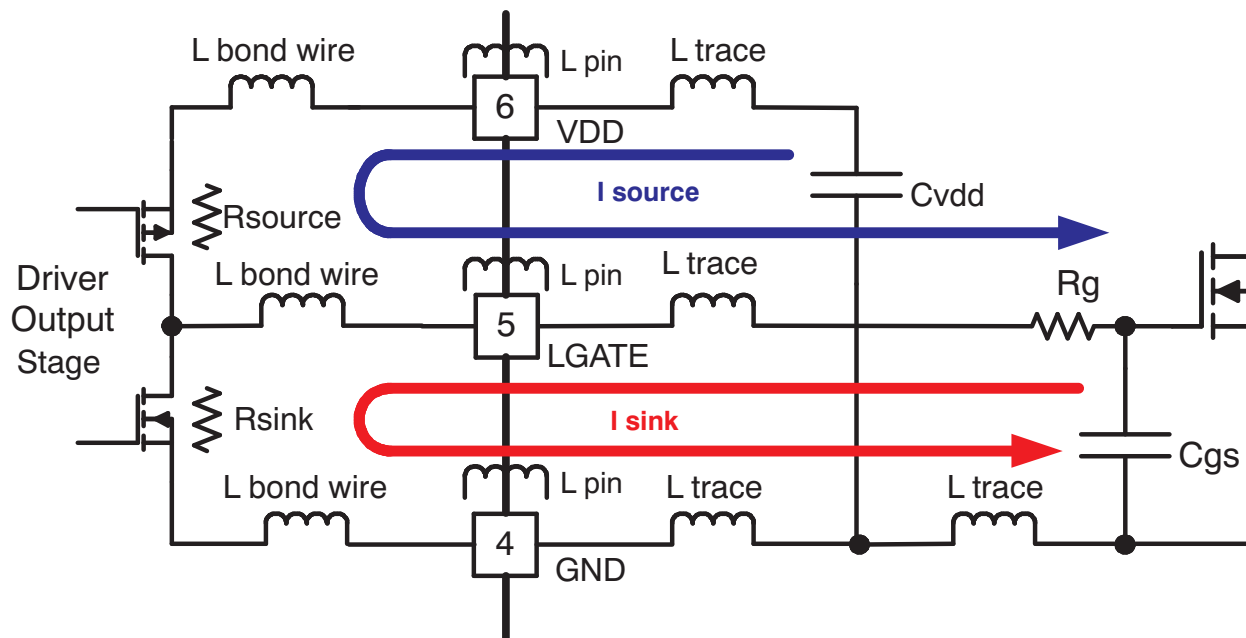


Figure 24. MOSFET Drive Paths and Main Circuit Parasitics

The  $I_{SOURCE}$  current charges the gate capacitor and the  $I_{SINK}$  current discharges it. The rise and fall time of voltage across the gate defines how quickly the MOSFET can be switched. The timing parameters specified in datasheet for both upper and lower driver are shown in Figure 15 and Figure 16 where 3-nF load capacitor has been used for the characterization data. Based on these actual measurements, the analytical curves in Figure 25 and Figure 26 show the output voltage and current of upper and low side drivers during the discharging of load capacitor. The left waveforms show the voltage and current as a function of time, while the right waveforms show the relation between the voltage and current during fast switching. These waveforms show the actual switching process and its limitations because of parasitic inductances. The static  $V_{OUT}/I_{OUT}$  curves shown in many datasheets and specifications for the MOSFET drivers do not replicate actual switching condition and provide limited information for the user.

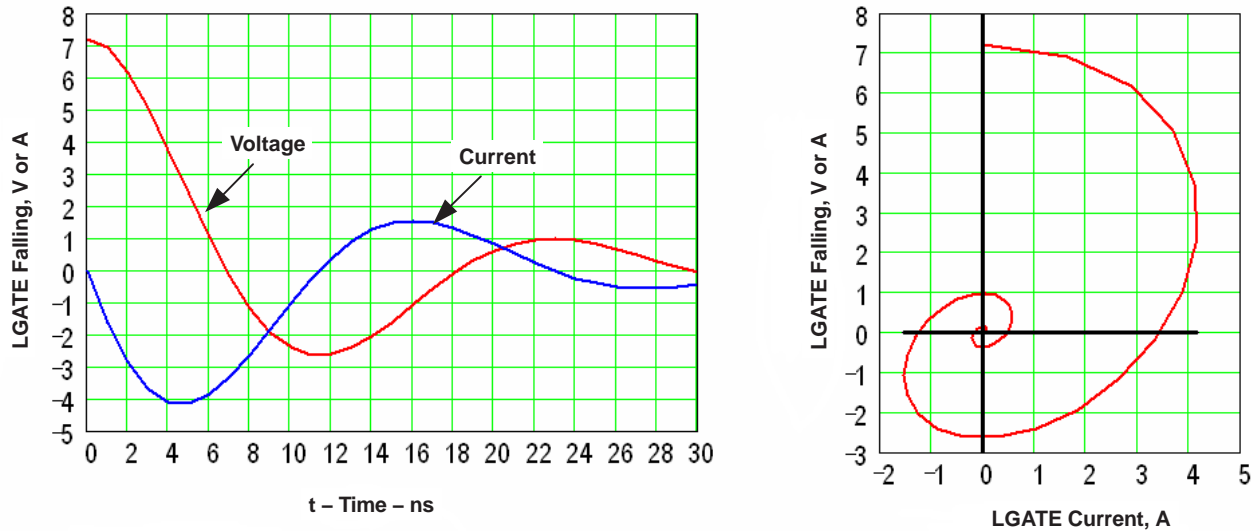


Figure 25. LGATE Turning Off Voltage and Sink Current vs Time (Related Switching Diagram (right))

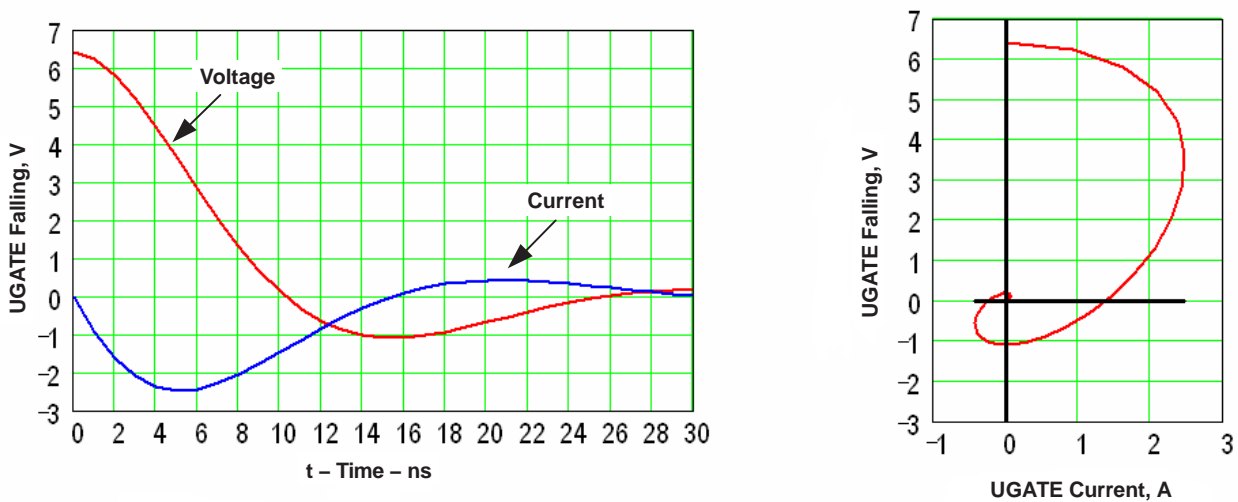


Figure 26. UGATE Turning Off Voltage and Sink Current vs Time (Related Switching Diagram (right))



The schematic of one of the phases in a multi-phase synchronous buck regulator and the related layout are shown in [Figure 27](#) and [Figure 28](#). These help to illustrate good design practices. The power stage includes one high-side MOSFET Q10 and two low-side MOSFETs (Q8 and Q9). The driver (U7) is located on bottom side of PCB close to the power MOSFETs. The related switching waveforms during turning ON and OFF of upper FET are shown in [Figure 29](#) and [Figure 30](#). The dead time during turning ON is only 10ns ([Figure 29](#)) and 22ns during turning OFF ([Figure 30](#)).

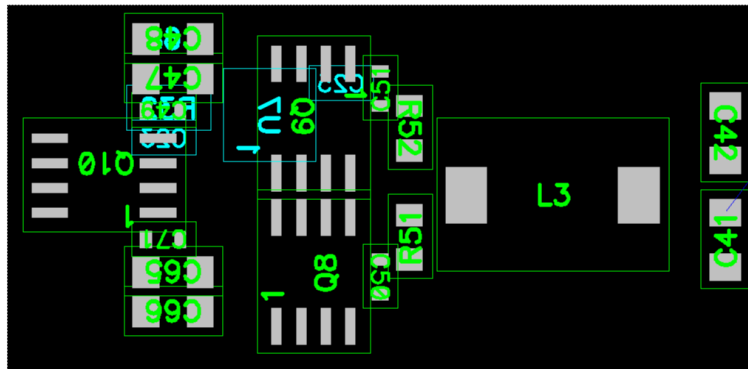


Figure 28. Component Placement Based on Schematic in [Figure 27](#)

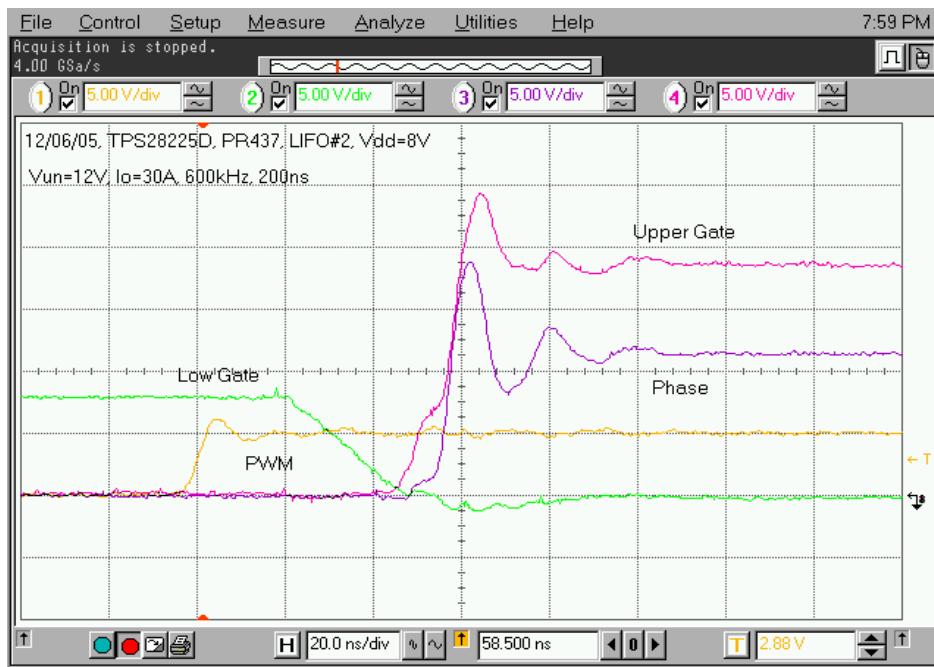


Figure 29. Phase Rising Edge Switching Waveforms (20ns/div) of the Power Stage in [Figure 27](#)

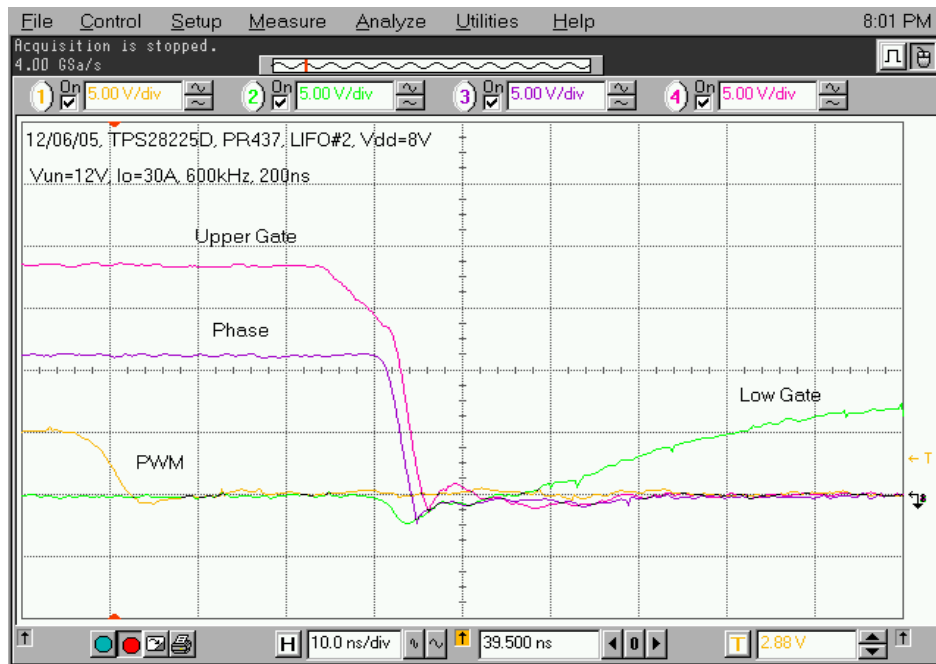


Figure 30. Phase Falling Edge Switching Waveforms (10ns/div) of the Power State in Figure 27

## List of Materials

The list of materials for this specific example is provided in the table. The component vendors are not limited to those shown in the table below. It should be noted that, in this example, the power MOSFET packages were chosen with drains on top. The decoupling capacitors C47, C48, C65, and C66 were chosen to have low profiles. This allows the designer to meet good layout rules and place a heatsink on top of the FETs using an electrically isolated and thermally conductive pad.

Table 1. List of Materials

REF DES	COUNT	DESCRIPTION	MANUFACTURE	PART NUMBER
C47, C48, C65, C66	4	Capacitor, ceramic, 4.7 $\mu$ F, 16 V, X5R 10%, low profile 0.95 mm, 1206	TDK	C3216X5R1C475K
C41, C42	2	Capacitor, ceramic, 10 $\mu$ F, 16 V, X7R 10%, 1206	TDK	C3216X7R1C106K
C50, C51	2	Capacitor, ceramic, 1000 pF, 50 V, X7R, 10%, 0603	Std	Std
C23	1	Capacitor, ceramic, 0.22 $\mu$ F, 16 V, X7R, 10%, 0603	Std	Std
C25, C49, C71	3	Capacitor, ceramic, 1 $\mu$ F, 16 V, X7R, 10%, '0603	Std	Std
L3	1	Inductor, SMT, 0.12 $\mu$ H, 31 A, 0.36 m $\Omega$ , 0.400 x 0.276	Pulse	PA0511-101
Q8, Q9	2	Mosfet, N-channel, $V_{DS}$ 30 V, $R_{DS}$ 2.4 m $\Omega$ , $I_D$ 45 A, LFPAK-i	Renesas	RJK0301DPB-I
Q10	1	Mosfet, N-channel, $V_{DS}$ 30 V, $R_{DS}$ 6.2 m $\Omega$ , $I_D$ 30 A, LFPAK-i	Renesas	RJK0305DPB-I
R32	1	Resistor, chip, 0 $\Omega$ , 1/10 W, 1%, '0805	Std	Std
R51, R52	2	Resistor, chip, 2.2 $\Omega$ , 1/10 W, 1%, '0805	Std	Std
U7	1	Device, High Frequency 4-A Sink Synchronous Buck MOSFET Driver, DFN-8	Texas Instruments	TPS28225DRB

### Efficiency of Power Stage vs Load Current at Different Switching Frequencies

Efficiency achieved using TPS28225/6 driver with 8-V drive at different switching frequencies a similar industry 5-V driver using the power stage in [Figure 27](#) is shown in [Figure 33](#), [Figure 35](#), [Figure 34](#), [Figure 31](#) and [Figure 32](#).

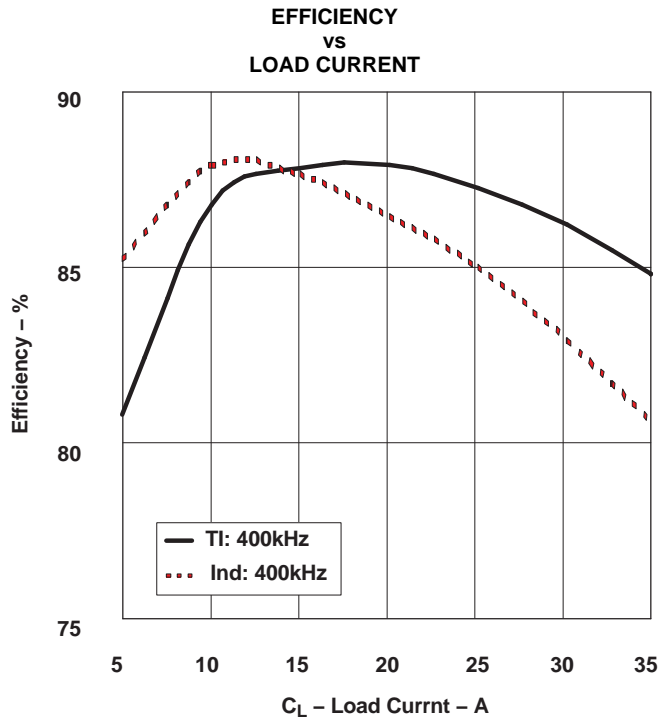


Figure 31.

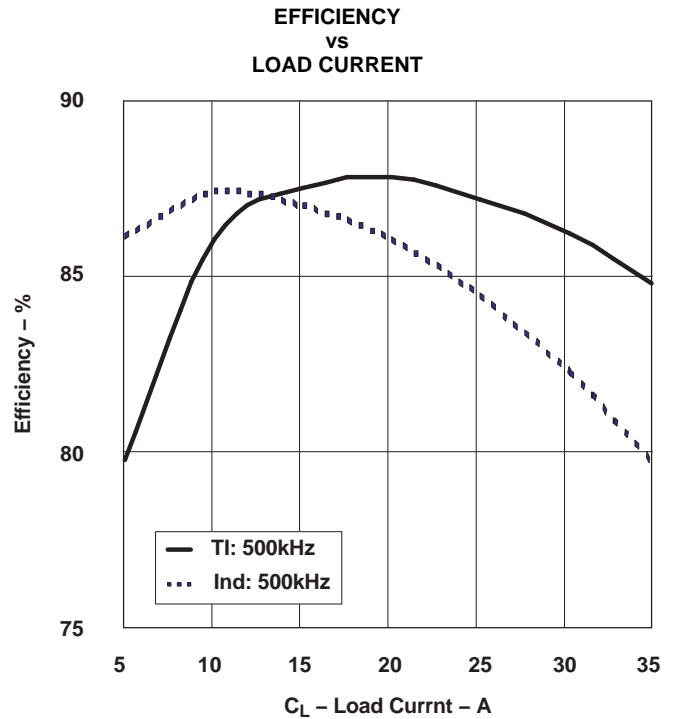


Figure 32.

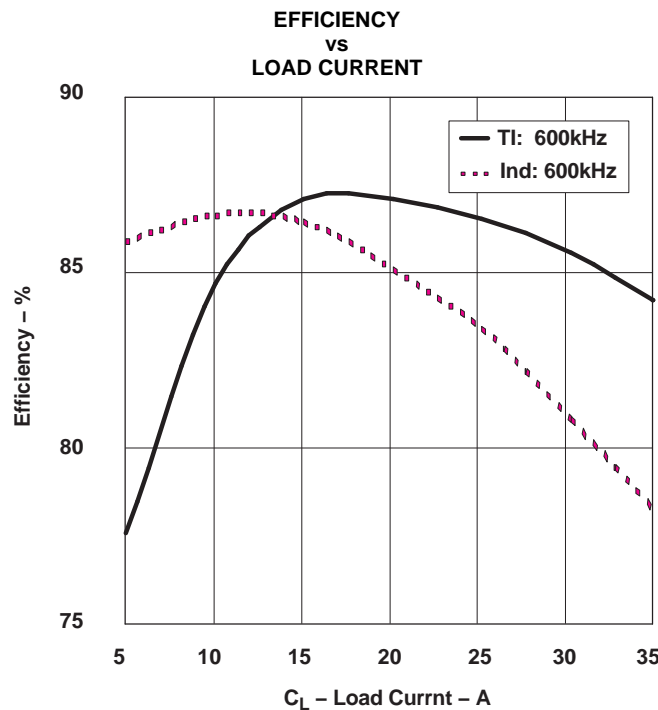


Figure 33.

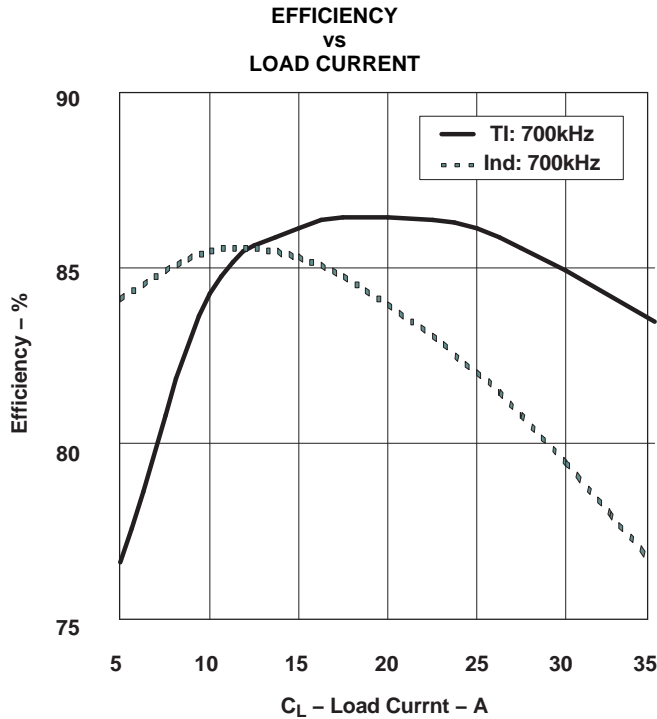


Figure 34.

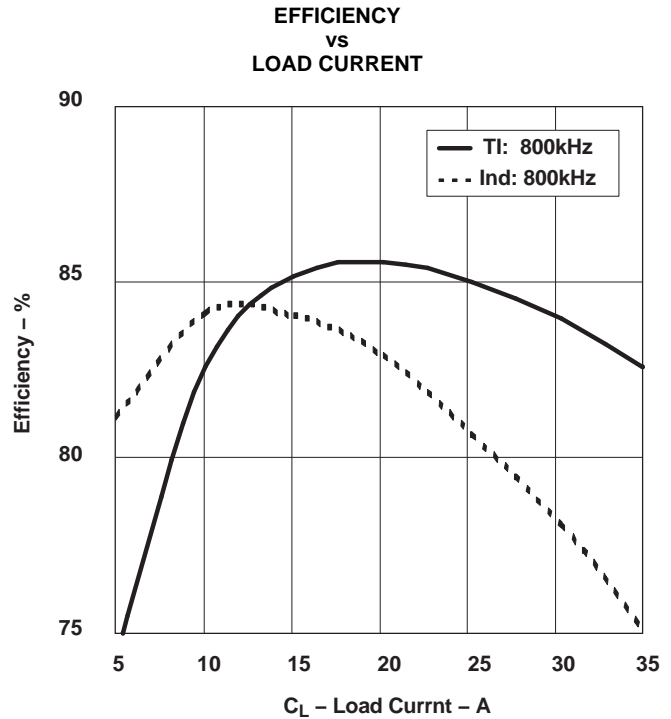


Figure 35.

When using the same power stage, the driver with the optimal drive voltage and optimal dead time can boost efficiency up to 5%. The optimal 8-V drive voltage versus 5-V drive contributes 2% to 3% efficiency increase and the remaining 1% to 2% can be attributed to the reduced dead time. The 7-V to 8-V drive voltage is optimal for operation at switching frequency range above 400kHz and can be illustrated by observing typical  $R_{DS(on)}$  curves of modern FETs as a function of their gate drive voltage. This is shown in Figure 36.

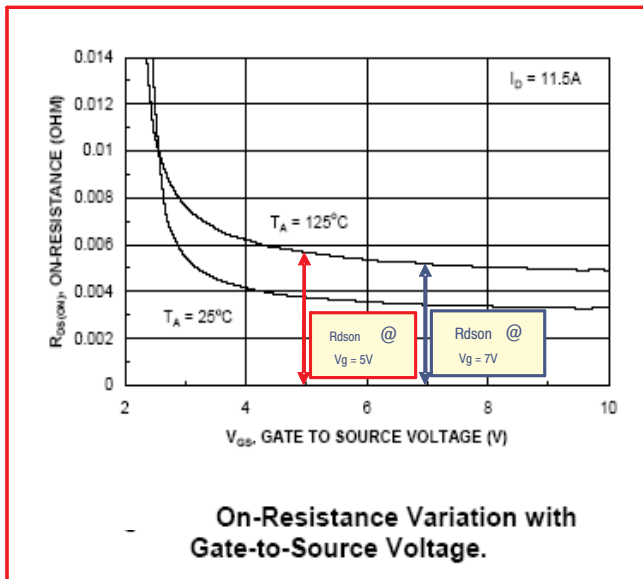


Figure 36.  $R_{DS(on)}$  of MOSFET as Function of  $V_{GS}$

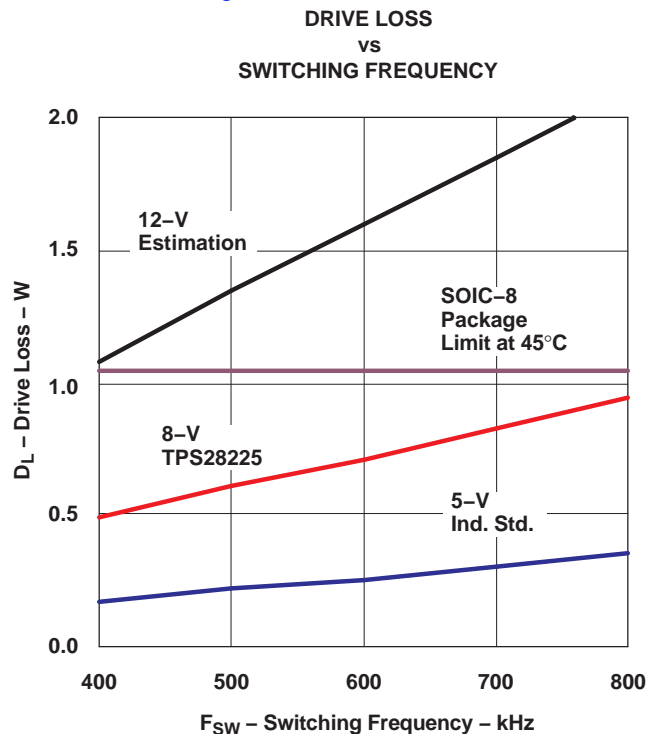


Figure 37. Drive Power as Function of  $V_{GS}$  and  $F_{SW}$

The plots show that the  $R_{DS(on)}$  at 5-V drive is substantially larger than at 7 V and above that the  $R_{DS(on)}$  curve is almost flat. This means that moving from 5-V drive to an 8-V drive boosts the efficiency because of lower  $R_{DS(on)}$  of the MOSFETs at 8 V. Further increase of drive voltage from 8 V to 12 V only slightly decreases the conduction losses but the power dissipated inside the driver increases dramatically (by 125%). The power dissipated by the driver with 5V, 8V and 12V drive as a function of switching frequency from 400kHz to 800kHz. It should be noted that the 12-V driver exceeds the maximum dissipated power allowed for an SOIC-8 package even at 400-kHz switching frequency.

### RELATED PRODUCTS

- TPS40090, 2/3/4-Phase Multi-Phase Controller
- TPS40091, 2/3/4-Phase Multi-Phase Controller

### REVISION HISTORY

Changes from Revision B (July 2007) to Revision C	Page
• Changed FUNCTIONAL BLOCK DIAGRAM .....	2
• Changed BLOCK DIAGRAM .....	8

**PACKAGING INFORMATION**

Orderable Device	Status <sup>(1)</sup>	Package Type	Package Drawing	Pins	Package Qty	Eco Plan <sup>(2)</sup>	Lead/ Ball Finish	MSL Peak Temp <sup>(3)</sup>	Samples (Requires Login)
TPS28225D	ACTIVE	SOIC	D	8	75	Green (RoHS & no Sb/Br)	CU NIPDAU	Level-1-260C-UNLIM	<a href="#">Add to cart</a>
TPS28225DG4	ACTIVE	SOIC	D	8	75	Green (RoHS & no Sb/Br)	CU NIPDAU	Level-1-260C-UNLIM	<a href="#">Add to cart</a>
TPS28225DR	ACTIVE	SOIC	D	8	2500	Green (RoHS & no Sb/Br)	CU NIPDAU	Level-1-260C-UNLIM	<a href="#">Add to cart</a>
TPS28225DRBR	ACTIVE	SON	DRB	8	3000	Green (RoHS & no Sb/Br)	CU NIPDAU	Level-2-260C-1 YEAR	<a href="#">Add to cart</a>
TPS28225DRBRG4	ACTIVE	SON	DRB	8	3000	Green (RoHS & no Sb/Br)	CU NIPDAU	Level-2-260C-1 YEAR	<a href="#">Add to cart</a>
TPS28225DRBT	ACTIVE	SON	DRB	8	250	Green (RoHS & no Sb/Br)	CU NIPDAU	Level-2-260C-1 YEAR	<a href="#">Add to cart</a>
TPS28225DRBTG4	ACTIVE	SON	DRB	8	250	Green (RoHS & no Sb/Br)	CU NIPDAU	Level-2-260C-1 YEAR	<a href="#">Add to cart</a>
TPS28225DRG4	ACTIVE	SOIC	D	8	2500	Green (RoHS & no Sb/Br)	CU NIPDAU	Level-1-260C-UNLIM	<a href="#">Add to cart</a>
TPS28226D	ACTIVE	SOIC	D	8	75	Green (RoHS & no Sb/Br)	CU NIPDAU	Level-1-260C-UNLIM	<a href="#">Add to cart</a>
TPS28226DG4	ACTIVE	SOIC	D	8	75	Green (RoHS & no Sb/Br)	CU NIPDAU	Level-1-260C-UNLIM	<a href="#">Add to cart</a>
TPS28226DR	ACTIVE	SOIC	D	8	2500	Green (RoHS & no Sb/Br)	CU NIPDAU	Level-1-260C-UNLIM	<a href="#">Add to cart</a>
TPS28226DRBR	ACTIVE	SON	DRB	8	3000	Green (RoHS & no Sb/Br)	CU NIPDAU	Level-2-260C-1 YEAR	<a href="#">Add to cart</a>
TPS28226DRBRG4	ACTIVE	SON	DRB	8	3000	Green (RoHS & no Sb/Br)	CU NIPDAU	Level-2-260C-1 YEAR	<a href="#">Add to cart</a>
TPS28226DRBT	ACTIVE	SON	DRB	8	250	Green (RoHS & no Sb/Br)	CU NIPDAU	Level-2-260C-1 YEAR	<a href="#">Add to cart</a>
TPS28226DRBTG4	ACTIVE	SON	DRB	8	250	Green (RoHS & no Sb/Br)	CU NIPDAU	Level-2-260C-1 YEAR	<a href="#">Add to cart</a>
TPS28226DRG4	ACTIVE	SOIC	D	8	2500	Green (RoHS & no Sb/Br)	CU NIPDAU	Level-1-260C-UNLIM	<a href="#">Add to cart</a>

<sup>(1)</sup> The marketing status values are defined as follows:

---

**ACTIVE:** Product device recommended for new designs.

**LIFEBUY:** TI has announced that the device will be discontinued, and a lifetime-buy period is in effect.

**NRND:** Not recommended for new designs. Device is in production to support existing customers, but TI does not recommend using this part in a new design.

**PREVIEW:** Device has been announced but is not in production. Samples may or may not be available.

**OBSOLETE:** TI has discontinued the production of the device.

<sup>(2)</sup> Eco Plan - The planned eco-friendly classification: Pb-Free (RoHS), Pb-Free (RoHS Exempt), or Green (RoHS & no Sb/Br) - please check <http://www.ti.com/productcontent> for the latest availability information and additional product content details.

**TBD:** The Pb-Free/Green conversion plan has not been defined.

**Pb-Free (RoHS):** TI's terms "Lead-Free" or "Pb-Free" mean semiconductor products that are compatible with the current RoHS requirements for all 6 substances, including the requirement that lead not exceed 0.1% by weight in homogeneous materials. Where designed to be soldered at high temperatures, TI Pb-Free products are suitable for use in specified lead-free processes.

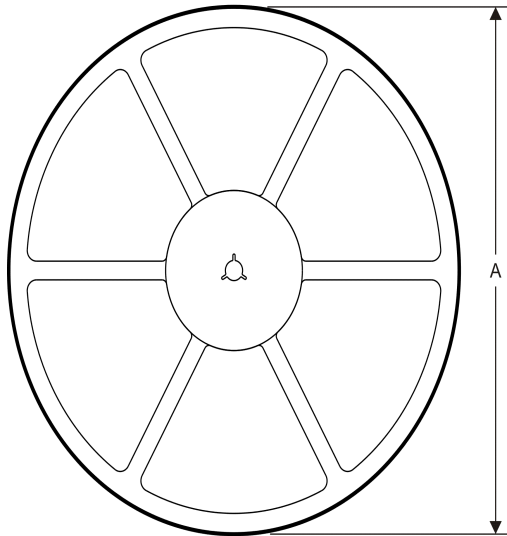
**Pb-Free (RoHS Exempt):** This component has a RoHS exemption for either 1) lead-based flip-chip solder bumps used between the die and package, or 2) lead-based die adhesive used between the die and leadframe. The component is otherwise considered Pb-Free (RoHS compatible) as defined above.

**Green (RoHS & no Sb/Br):** TI defines "Green" to mean Pb-Free (RoHS compatible), and free of Bromine (Br) and Antimony (Sb) based flame retardants (Br or Sb do not exceed 0.1% by weight in homogeneous material)

<sup>(3)</sup> MSL, Peak Temp. -- The Moisture Sensitivity Level rating according to the JEDEC industry standard classifications, and peak solder temperature.

**Important Information and Disclaimer:** The information provided on this page represents TI's knowledge and belief as of the date that it is provided. TI bases its knowledge and belief on information provided by third parties, and makes no representation or warranty as to the accuracy of such information. Efforts are underway to better integrate information from third parties. TI has taken and continues to take reasonable steps to provide representative and accurate information but may not have conducted destructive testing or chemical analysis on incoming materials and chemicals. TI and TI suppliers consider certain information to be proprietary, and thus CAS numbers and other limited information may not be available for release.

In no event shall TI's liability arising out of such information exceed the total purchase price of the TI part(s) at issue in this document sold by TI to Customer on an annual basis.

**TAPE AND REEL INFORMATION**
**REEL DIMENSIONS**

**TAPE DIMENSIONS**


A0	Dimension designed to accommodate the component width
B0	Dimension designed to accommodate the component length
K0	Dimension designed to accommodate the component thickness
W	Overall width of the carrier tape
P1	Pitch between successive cavity centers

**TAPE AND REEL INFORMATION**

\*All dimensions are nominal

Device	Package Type	Package Drawing	Pins	SPQ	Reel Diameter (mm)	Reel Width W1 (mm)	A0 (mm)	B0 (mm)	K0 (mm)	P1 (mm)	W (mm)	Pin1 Quadrant
TPS28225DR	SOIC	D	8	2500	330.0	12.4	6.4	5.2	2.1	8.0	12.0	Q1
TPS28225DRBR	SON	DRB	8	3000	330.0	12.4	3.3	3.3	1.1	8.0	12.0	Q2
TPS28225DRBR	SON	DRB	8	3000	330.0	12.4	3.3	3.3	1.1	8.0	12.0	Q2
TPS28225DRBT	SON	DRB	8	250	180.0	12.4	3.3	3.3	1.1	8.0	12.0	Q2
TPS28225DRBT	SON	DRB	8	250	180.0	12.4	3.3	3.3	1.1	8.0	12.0	Q2
TPS28226DR	SOIC	D	8	2500	330.0	12.4	6.4	5.2	2.1	8.0	12.0	Q1
TPS28226DRBR	SON	DRB	8	3000	330.0	12.4	3.3	3.3	1.1	8.0	12.0	Q2
TPS28226DRBT	SON	DRB	8	250	180.0	12.4	3.3	3.3	1.1	8.0	12.0	Q2

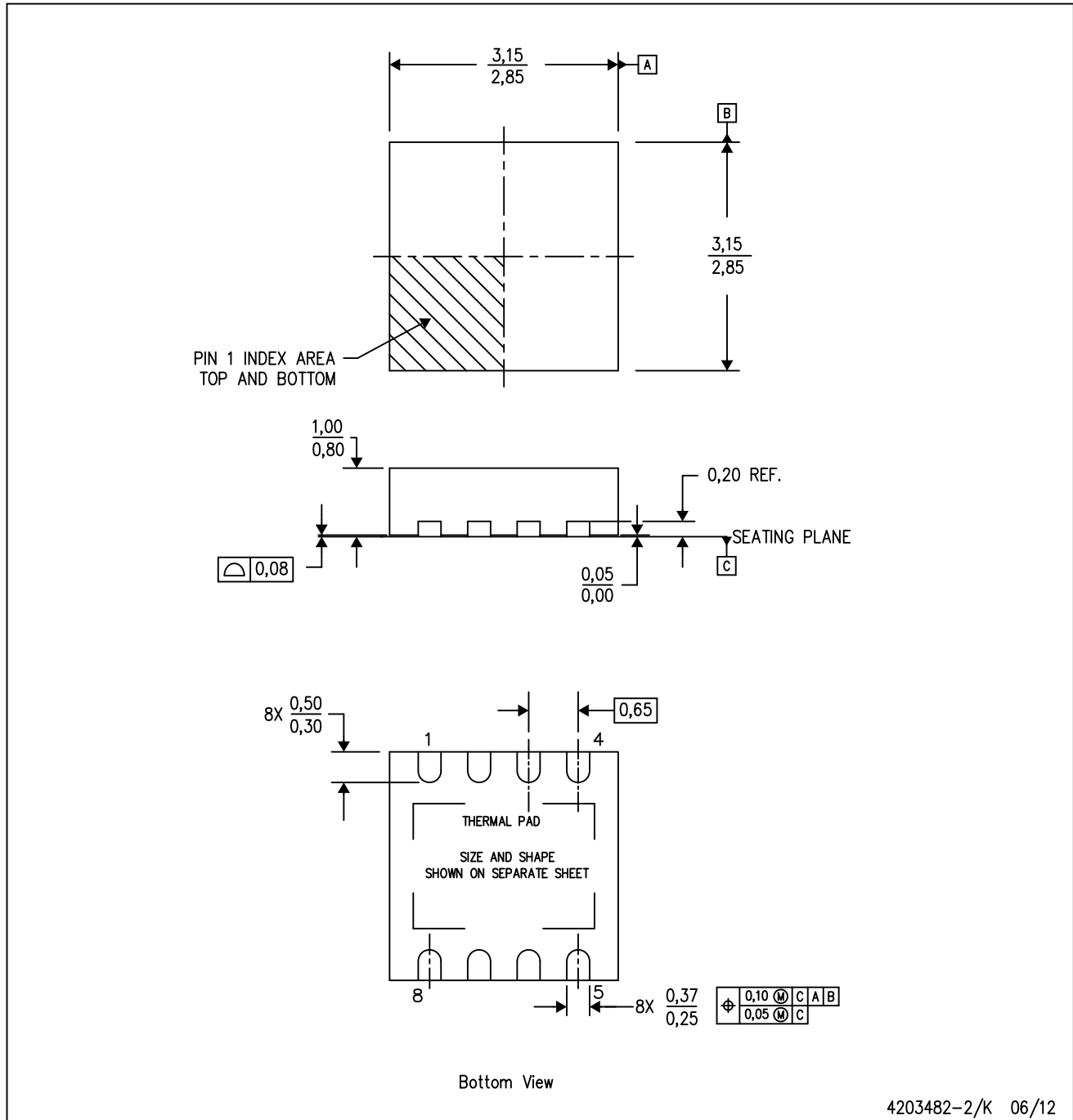
**TAPE AND REEL BOX DIMENSIONS**


\*All dimensions are nominal

Device	Package Type	Package Drawing	Pins	SPQ	Length (mm)	Width (mm)	Height (mm)
TPS28225DR	SOIC	D	8	2500	340.5	338.1	20.6
TPS28225DRBR	SON	DRB	8	3000	367.0	367.0	35.0
TPS28225DRBR	SON	DRB	8	3000	367.0	367.0	35.0
TPS28225DRBT	SON	DRB	8	250	210.0	185.0	35.0
TPS28225DRBT	SON	DRB	8	250	210.0	185.0	35.0
TPS28226DR	SOIC	D	8	2500	340.5	338.1	20.6
TPS28226DRBR	SON	DRB	8	3000	367.0	367.0	35.0
TPS28226DRBT	SON	DRB	8	250	210.0	185.0	35.0

DRB (S-PVSON-N8)

PLASTIC SMALL OUTLINE NO-LEAD



- NOTES:
- All linear dimensions are in millimeters. Dimensioning and tolerancing per ASME Y14.5M-1994.
  - This drawing is subject to change without notice.
  - Small Outline No-Lead (SON) package configuration.
  - The package thermal pad must be soldered to the board for thermal and mechanical performance.
  - See the additional figure in the Product Data Sheet for details regarding the exposed thermal pad features and dimensions.

# THERMAL PAD MECHANICAL DATA

DRB (S-PVSON-N8)

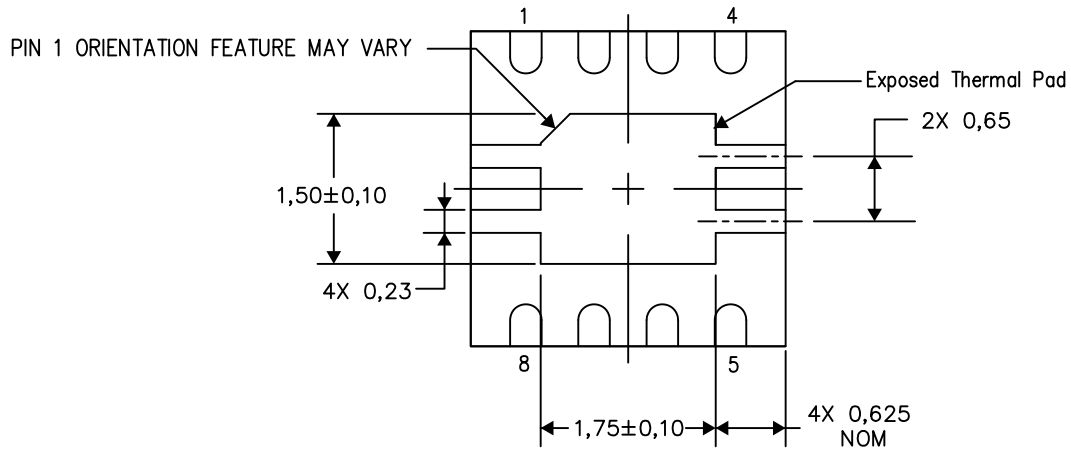
PLASTIC SMALL OUTLINE NO-LEAD

## THERMAL INFORMATION

This package incorporates an exposed thermal pad that is designed to be attached directly to an external heatsink. The thermal pad must be soldered directly to the printed circuit board (PCB). After soldering, the PCB can be used as a heatsink. In addition, through the use of thermal vias, the thermal pad can be attached directly to the appropriate copper plane shown in the electrical schematic for the device, or alternatively, can be attached to a special heatsink structure designed into the PCB. This design optimizes the heat transfer from the integrated circuit (IC).

For information on the Quad Flatpack No-Lead (QFN) package and its advantages, refer to Application Report, QFN/SON PCB Attachment, Texas Instruments Literature No. SLUA271. This document is available at [www.ti.com](http://www.ti.com).

The exposed thermal pad dimensions for this package are shown in the following illustration.



Bottom View

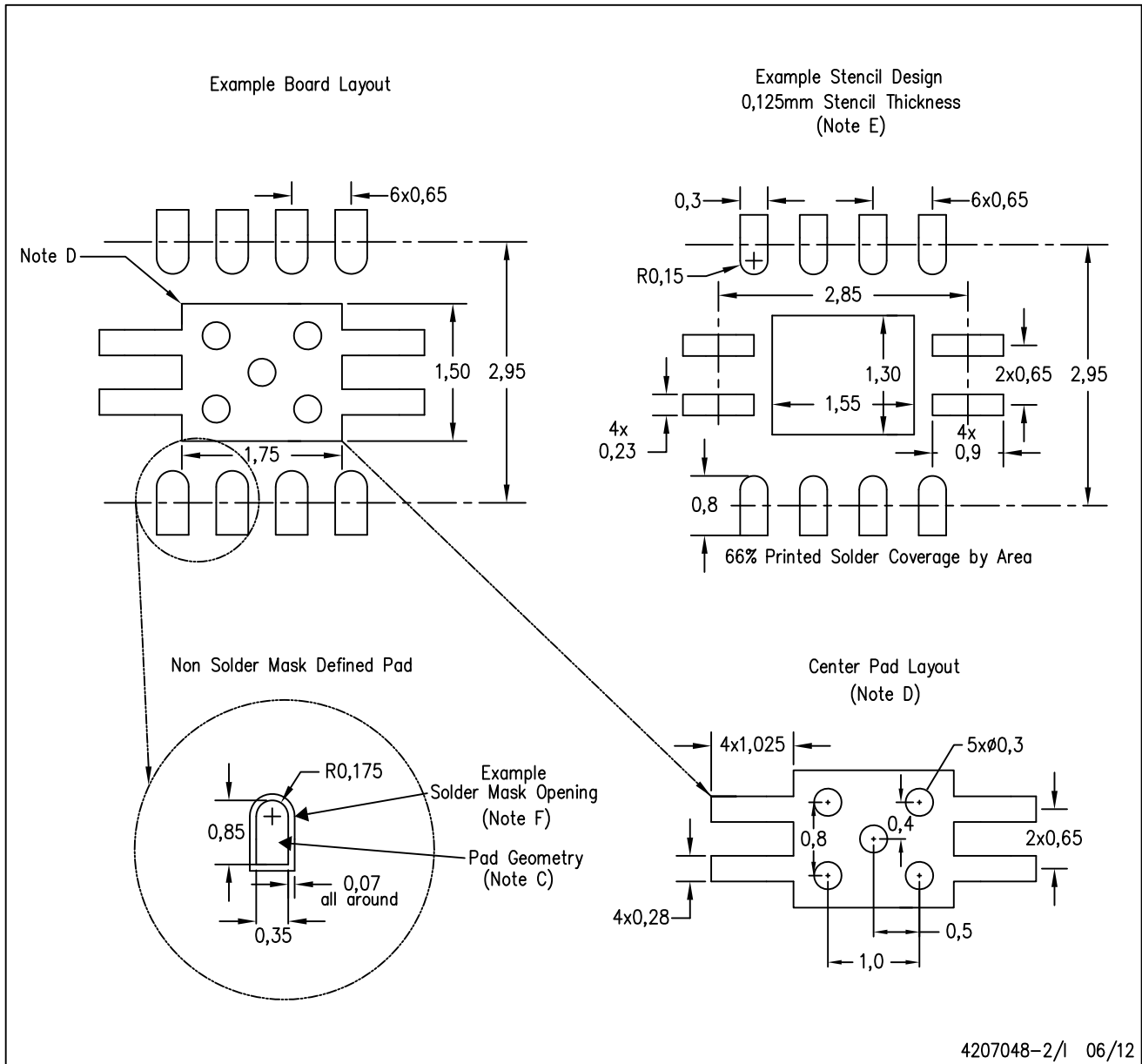
Exposed Thermal Pad Dimensions

4206340-2/M 06/12

NOTE: All linear dimensions are in millimeters

DRB (S-PVSON-N8)

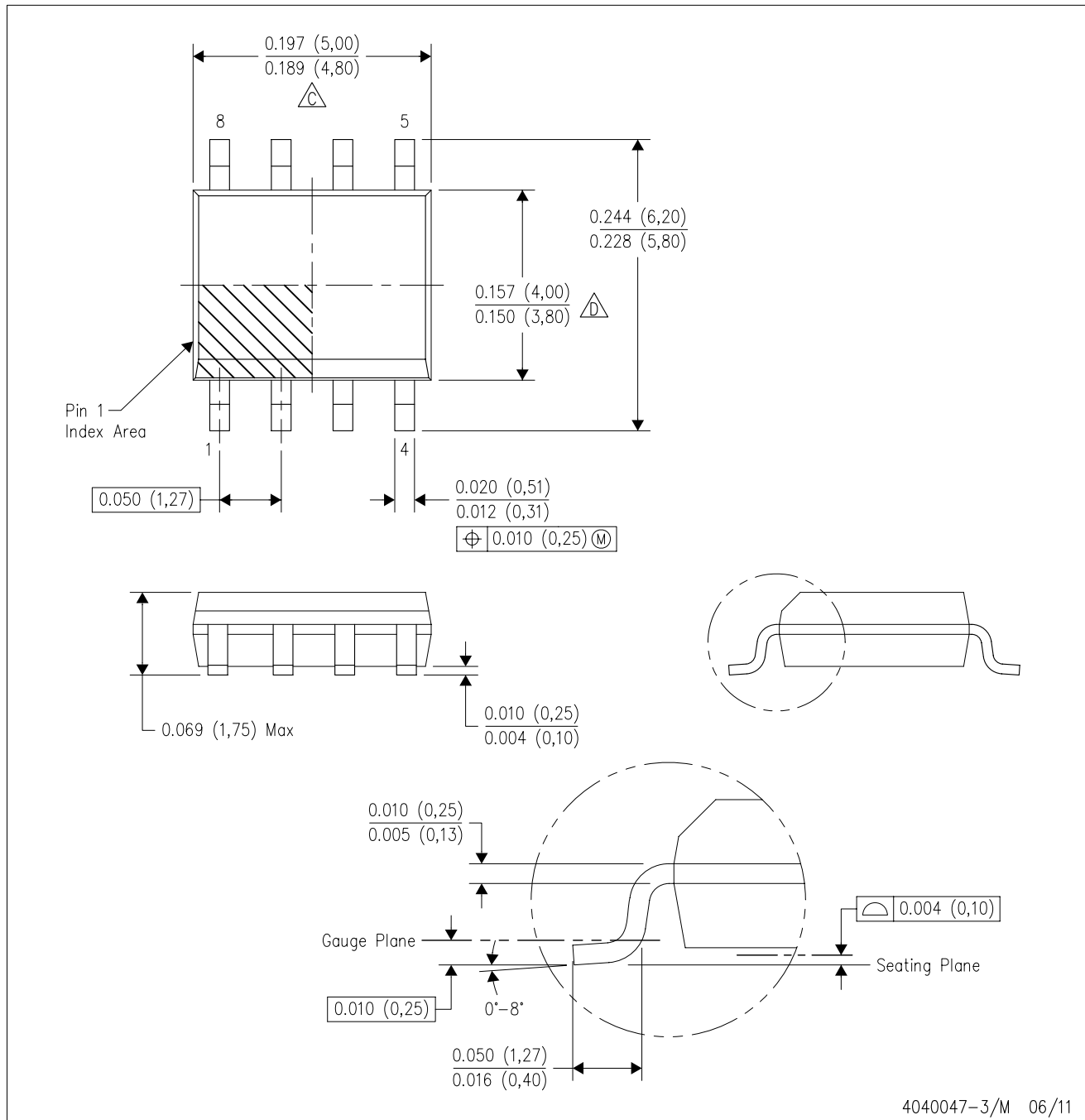
PLASTIC SMALL OUTLINE NO-LEAD



- NOTES:
- All linear dimensions are in millimeters.
  - This drawing is subject to change without notice.
  - Publication IPC-7351 is recommended for alternate designs.
  - This package is designed to be soldered to a thermal pad on the board. Refer to Application Note, QFN Packages, Texas Instruments Literature No. SLUA271, and also the Product Data Sheets for specific thermal information, via requirements, and recommended board layout. These documents are available at [www.ti.com](http://www.ti.com) <<http://www.ti.com>>.
  - Laser cutting apertures with trapezoidal walls and also rounding corners will offer better paste release. Customers should contact their board assembly site for stencil design recommendations. Refer to IPC 7525 for stencil design considerations.
  - Customers should contact their board fabrication site for solder mask tolerances.

D (R-PDSO-G8)

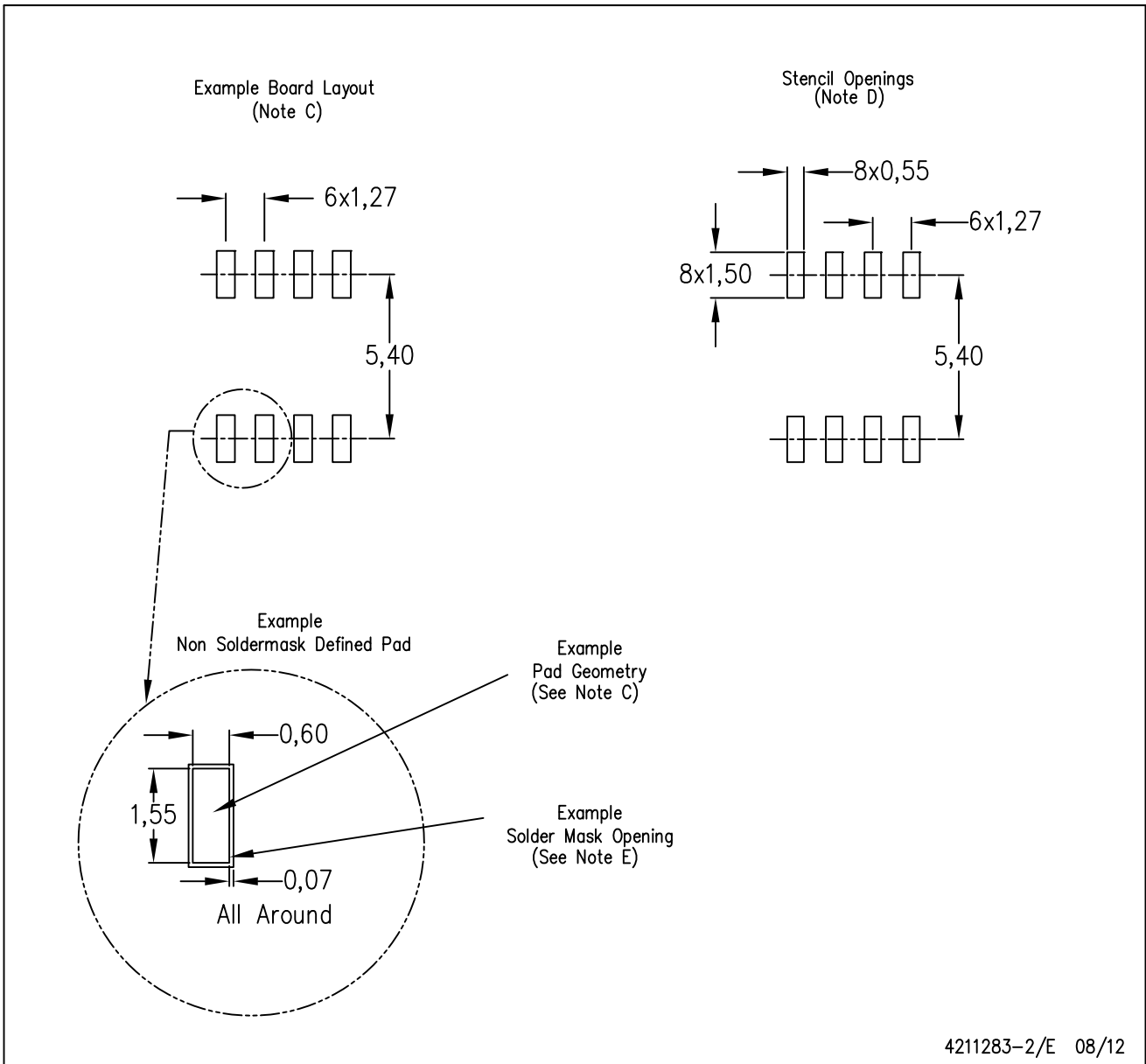
PLASTIC SMALL OUTLINE



NOTES: A. All linear dimensions are in inches (millimeters).  
 B. This drawing is subject to change without notice.  
 C. Body length does not include mold flash, protrusions, or gate burrs. Mold flash, protrusions, or gate burrs shall not exceed 0.006 (0,15) each side.  
 D. Body width does not include interlead flash. Interlead flash shall not exceed 0.017 (0,43) each side.  
 E. Reference JEDEC MS-012 variation AA.

D (R-PDSO-G8)

PLASTIC SMALL OUTLINE



- NOTES:
- All linear dimensions are in millimeters.
  - This drawing is subject to change without notice.
  - Publication IPC-7351 is recommended for alternate designs.
  - Laser cutting apertures with trapezoidal walls and also rounding corners will offer better paste release. Customers should contact their board assembly site for stencil design recommendations. Refer to IPC-7525 for other stencil recommendations.
  - Customers should contact their board fabrication site for solder mask tolerances between and around signal pads.

## IMPORTANT NOTICE

Texas Instruments Incorporated and its subsidiaries (TI) reserve the right to make corrections, enhancements, improvements and other changes to its semiconductor products and services per JESD46, latest issue, and to discontinue any product or service per JESD48, latest issue. Buyers should obtain the latest relevant information before placing orders and should verify that such information is current and complete. All semiconductor products (also referred to herein as "components") are sold subject to TI's terms and conditions of sale supplied at the time of order acknowledgment.

TI warrants performance of its components to the specifications applicable at the time of sale, in accordance with the warranty in TI's terms and conditions of sale of semiconductor products. Testing and other quality control techniques are used to the extent TI deems necessary to support this warranty. Except where mandated by applicable law, testing of all parameters of each component is not necessarily performed.

TI assumes no liability for applications assistance or the design of Buyers' products. Buyers are responsible for their products and applications using TI components. To minimize the risks associated with Buyers' products and applications, Buyers should provide adequate design and operating safeguards.

TI does not warrant or represent that any license, either express or implied, is granted under any patent right, copyright, mask work right, or other intellectual property right relating to any combination, machine, or process in which TI components or services are used. Information published by TI regarding third-party products or services does not constitute a license to use such products or services or a warranty or endorsement thereof. Use of such information may require a license from a third party under the patents or other intellectual property of the third party, or a license from TI under the patents or other intellectual property of TI.

Reproduction of significant portions of TI information in TI data books or data sheets is permissible only if reproduction is without alteration and is accompanied by all associated warranties, conditions, limitations, and notices. TI is not responsible or liable for such altered documentation. Information of third parties may be subject to additional restrictions.

Resale of TI components or services with statements different from or beyond the parameters stated by TI for that component or service voids all express and any implied warranties for the associated TI component or service and is an unfair and deceptive business practice. TI is not responsible or liable for any such statements.

Buyer acknowledges and agrees that it is solely responsible for compliance with all legal, regulatory and safety-related requirements concerning its products, and any use of TI components in its applications, notwithstanding any applications-related information or support that may be provided by TI. Buyer represents and agrees that it has all the necessary expertise to create and implement safeguards which anticipate dangerous consequences of failures, monitor failures and their consequences, lessen the likelihood of failures that might cause harm and take appropriate remedial actions. Buyer will fully indemnify TI and its representatives against any damages arising out of the use of any TI components in safety-critical applications.

In some cases, TI components may be promoted specifically to facilitate safety-related applications. With such components, TI's goal is to help enable customers to design and create their own end-product solutions that meet applicable functional safety standards and requirements. Nonetheless, such components are subject to these terms.

No TI components are authorized for use in FDA Class III (or similar life-critical medical equipment) unless authorized officers of the parties have executed a special agreement specifically governing such use.

Only those TI components which TI has specifically designated as military grade or "enhanced plastic" are designed and intended for use in military/aerospace applications or environments. Buyer acknowledges and agrees that any military or aerospace use of TI components which have **not** been so designated is solely at the Buyer's risk, and that Buyer is solely responsible for compliance with all legal and regulatory requirements in connection with such use.

TI has specifically designated certain components which meet ISO/TS16949 requirements, mainly for automotive use. Components which have not been so designated are neither designed nor intended for automotive use; and TI will not be responsible for any failure of such components to meet such requirements.

### Products

Audio	<a href="http://www.ti.com/audio">www.ti.com/audio</a>
Amplifiers	<a href="http://amplifier.ti.com">amplifier.ti.com</a>
Data Converters	<a href="http://dataconverter.ti.com">dataconverter.ti.com</a>
DLP® Products	<a href="http://www.dlp.com">www.dlp.com</a>
DSP	<a href="http://dsp.ti.com">dsp.ti.com</a>
Clocks and Timers	<a href="http://www.ti.com/clocks">www.ti.com/clocks</a>
Interface	<a href="http://interface.ti.com">interface.ti.com</a>
Logic	<a href="http://logic.ti.com">logic.ti.com</a>
Power Mgmt	<a href="http://power.ti.com">power.ti.com</a>
Microcontrollers	<a href="http://microcontroller.ti.com">microcontroller.ti.com</a>
RFID	<a href="http://www.ti-rfid.com">www.ti-rfid.com</a>
OMAP Applications Processors	<a href="http://www.ti.com/omap">www.ti.com/omap</a>
Wireless Connectivity	<a href="http://www.ti.com/wirelessconnectivity">www.ti.com/wirelessconnectivity</a>

### Applications

Automotive and Transportation	<a href="http://www.ti.com/automotive">www.ti.com/automotive</a>
Communications and Telecom	<a href="http://www.ti.com/communications">www.ti.com/communications</a>
Computers and Peripherals	<a href="http://www.ti.com/computers">www.ti.com/computers</a>
Consumer Electronics	<a href="http://www.ti.com/consumer-apps">www.ti.com/consumer-apps</a>
Energy and Lighting	<a href="http://www.ti.com/energy">www.ti.com/energy</a>
Industrial	<a href="http://www.ti.com/industrial">www.ti.com/industrial</a>
Medical	<a href="http://www.ti.com/medical">www.ti.com/medical</a>
Security	<a href="http://www.ti.com/security">www.ti.com/security</a>
Space, Avionics and Defense	<a href="http://www.ti.com/space-avionics-defense">www.ti.com/space-avionics-defense</a>
Video and Imaging	<a href="http://www.ti.com/video">www.ti.com/video</a>

### TI E2E Community

[e2e.ti.com](http://e2e.ti.com)