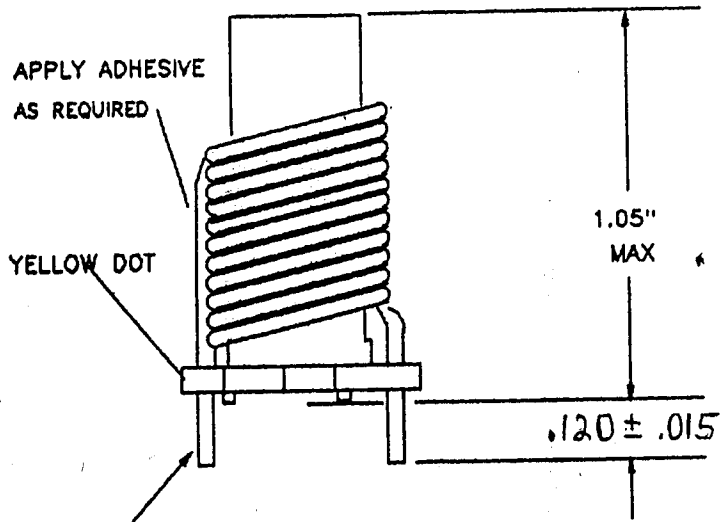


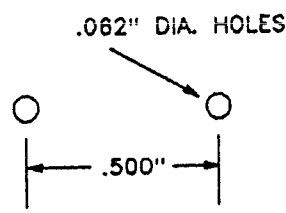
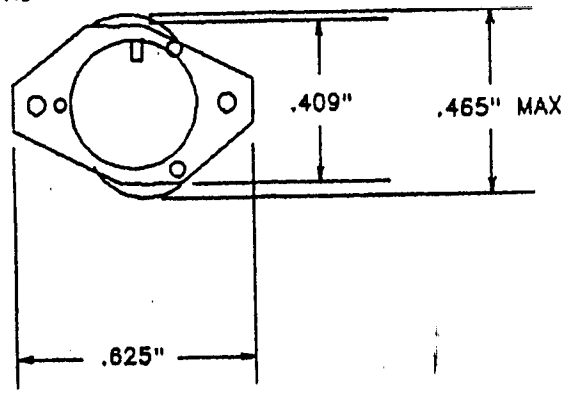
TOLERANCE UNLESS SPECIFIED = .XXX = +/- .005 | .XX = +/- .015 | FRACTIONS = +/- .002

PRODUCTION TESTS



DESIGNATE UNIT WITH YEL DOT AS SHOWN

.045" +/- .003" ROUND



MOUNTING HOLE PATTERN

DC RESISTANCE IN OHMS

.0073 MAX

OPEN CIRCUIT INDUCTANCE

2.6 TO 3.5 uHY AT 100ma, 20 KHZ, 0 ADC

HIPOT = NONE REQUIRED

IMPREGNATION NOTES = NONE REQUIRED

FINAL ASSEMBLY NOTES

MagneTek

METHOD

MARKING ON

OUR #, DATECODE, SITECODE PRINTED ON SMALLEST CONTAINER

PART NO. FIRCH-2