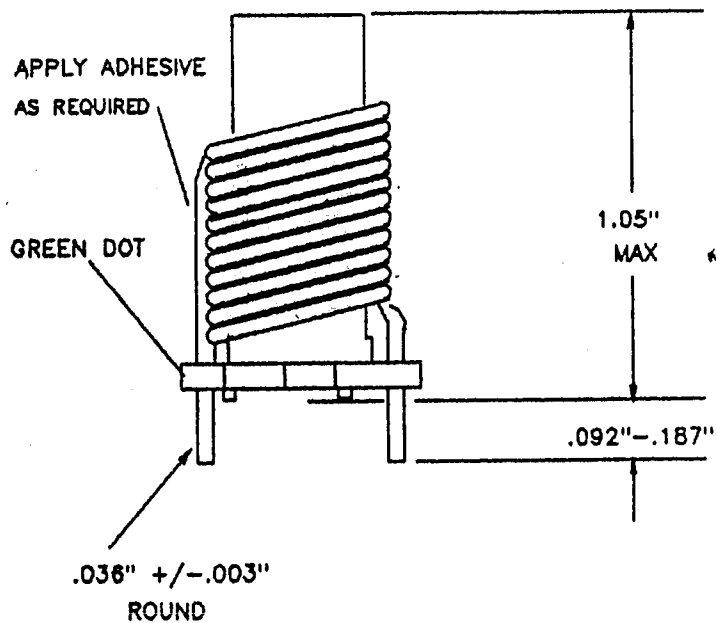
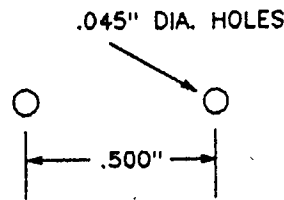
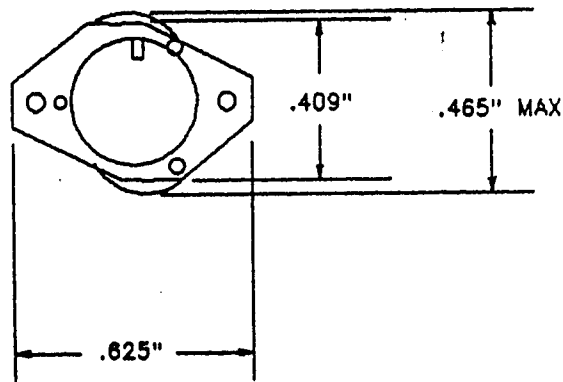


TOLERANCE UNLESS SPECIFIED = .XXX = +/- .005 .XX = +/- .015 FRACTIONS = +/- .032

# PRODUCTION TESTS



DESIGNATE UNIT WITH GRN DOT AS SHOWN



MOUNTING HOLE PATTERN

DC RESISTANCE IN OHMS	.014 MAX

OPEN CIRCUIT INDUCTANCE  
4.25 TO 5.75 uHY AT 100mg, 20 KHZ, 0 ADC

HIPOT = NONE REQUIRED

IMPREGNATION NOTES = NONE REQUIRED

FINAL ASSEMBLY NOTES

MagneTek

METHOD

MARKING ON OUR #, DATECODE, SITECODE PRINTED ON SMALLEST CONTAINER

PART NO. FIRCH-4