

TOLERANCE UNLESS SPECIFIED = .XXX = +/- .005 .XX = +/- .015 FRACTIONS = +/- .032

# PRODUCTION TESTS

APPLY ADHESIVE  
AS REQUIRED

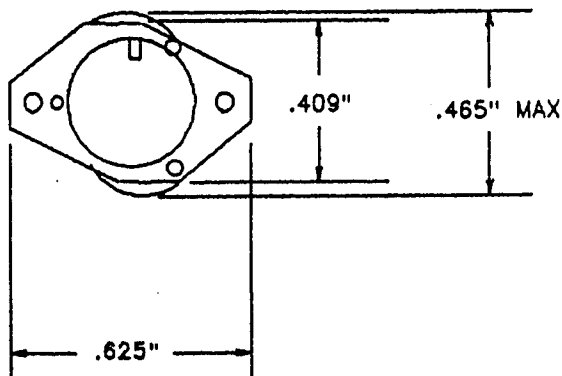
BLACK DOT

DESIGNATE UNIT WITH BLK DOT  
AS SHOWN

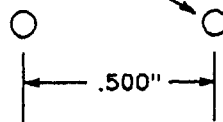
1.05"  
MAX

.092"-.187"

.032" +/- .003"  
ROUND



.045" DIA. HOLES



MOUNTING HOLE PATTERN

DC  
RESISTANCE  
IN OHMS

.0185 MAX

OPEN CIRCUIT INDUCTANCE

5.02 TO 6.78 uHY AT 100ma, 20 KHZ, 0 ADC

HIPOT = NONE REQUIRED

IMPREGNATION NOTES = NONE REQUIRED

FINAL ASSEMBLY NOTES

MagneTek

METHOD

MARKING  
ON

OUR #, DATECODE, SITECODE  
PRINTED ON SMALLEST CONTAINER

PART NO. FIRCH-5