

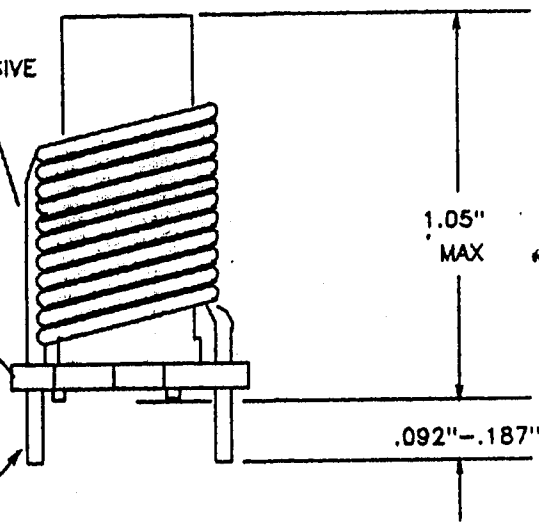
TOLERANCE UNLESS SPECIFIED = .XXX = +/- .005 .XX = +/- .015 FRACTIONS = +/- .032

# PRODUCTION TESTS

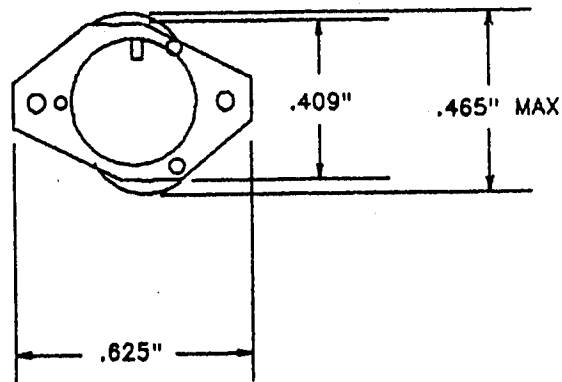
APPLY ADHESIVE  
AS REQUIRED

BROWN DOT

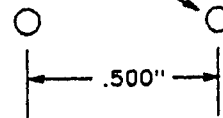
DESIGNATE UNIT WITH BRN DOT  
AS SHOWN



.028" +/- .003"  
ROUND



.040" DIA. HOLES



MOUNTING HOLE PATTERN

DC  
RESISTANCE  
IN OHMS

.0261 MAX

OPEN CIRCUIT INDUCTANCE

6.14 TO 8.3 uHY AT 100ma, 20 KHZ, 0 ADC

HIPOT = NONE REQUIRED

IMPREGNATION NOTES = NONE REQUIRED

FINAL ASSEMBLY NOTES

MagneTek

PART NO. FIRCH-6

METHOD

MARKING  
ON

OUR #, DATECODE, SITECODE  
PRINTED ON SMALLEST CONTAINER