



Audio Transformer PC Mount

TY - 250 P

Description:

This transformer operates in the 20 Hz to 20,000 Hz range, making it suitable for a broad application spectrum in the audio industry. This device is used in line matching, telephone coupling, pulse trigger, driver, interstage, and isolation input and output applications.

Operating Temperature Range: -40° C to 105° C

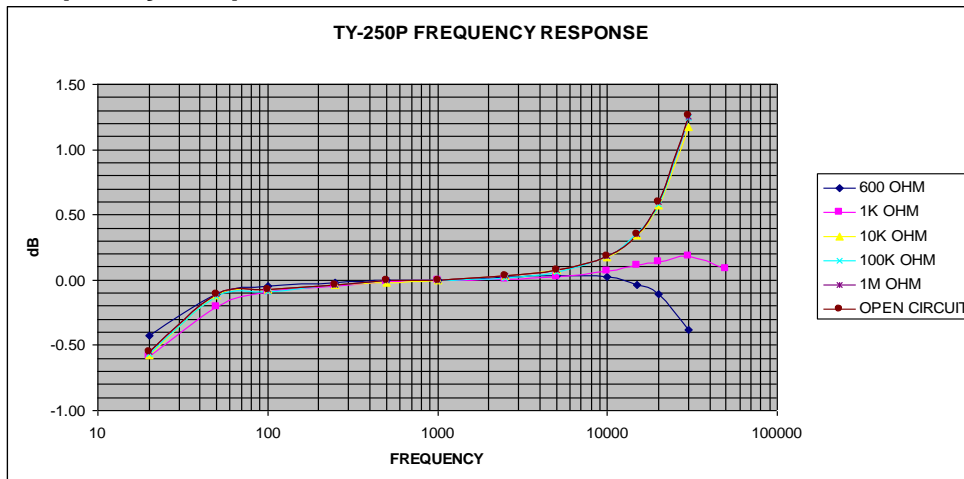
Electrical Specifications at 25° C:

- | | |
|-----------------------------|-----------------------------------|
| 1. Primary Impedance: | 1000Ω CT * |
| 2. Secondary Impedance: | 1000Ω CT / 250Ω * |
| 3. Output: | 20mW * |
| 4. Primary DC Unbalance: | 4 mA |
| 5. Frequency Response: | ± 1db from 20 to 20,000 Hz |
| 8. Insertion Loss @ 1K Hz: | < 2.8db |
| 11. DCR: Primary (2-4) | 172Ω Nominal |
| Secondary (5-8, w/6-7 tied) | 172Ω Nominal |
| 12. Turns Ratio: | 1:1 (tie 6&7) |
| | 2:1 (5 tied to 6 and 7 tied to 8) |
| 13. Dielectric Strength | 1500V Primary to Secondary |

Outline Dimensions:

- A. Dimensions: As shown
 B. Weight: 0.4 oz.

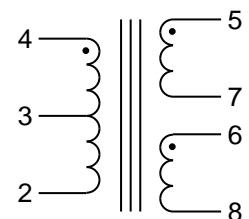
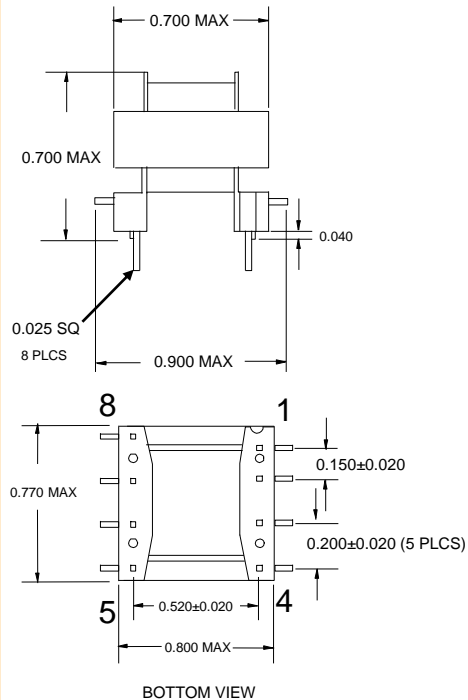
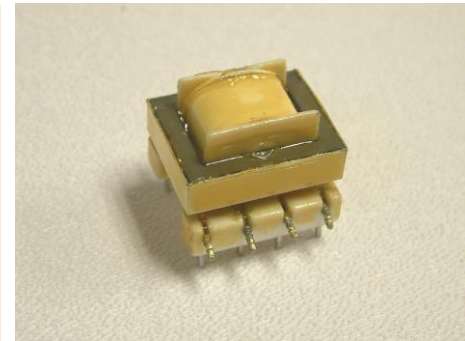
Frequency Response:



* 600:600Ω, 10K:10KΩ, 100K:100KΩ, 1M:1MΩ, and other impedances (secondaries can all be used at ¼ value when placed in parallel) are optional as long as input voltage is ≤4.2Vrms and current is ≤7mA.

RoHS Compliance: As of manufacturing date February 2016, all standard products meet the requirements of 2015/863/EU, known as the RoHS 3 initiative.

*Upon printing, this document is considered "uncontrolled". Please contact Triad Magnetics website for the most current version. For soldering and washing information please see <http://www.com.com.com/faq.html>



web: www.com.com.com
 Phone 951-277-0757
 Fax 951-277-2757

460 Harley Knox Blvd.
 Perris, California 92571

Publish Date: May 31, 2019