

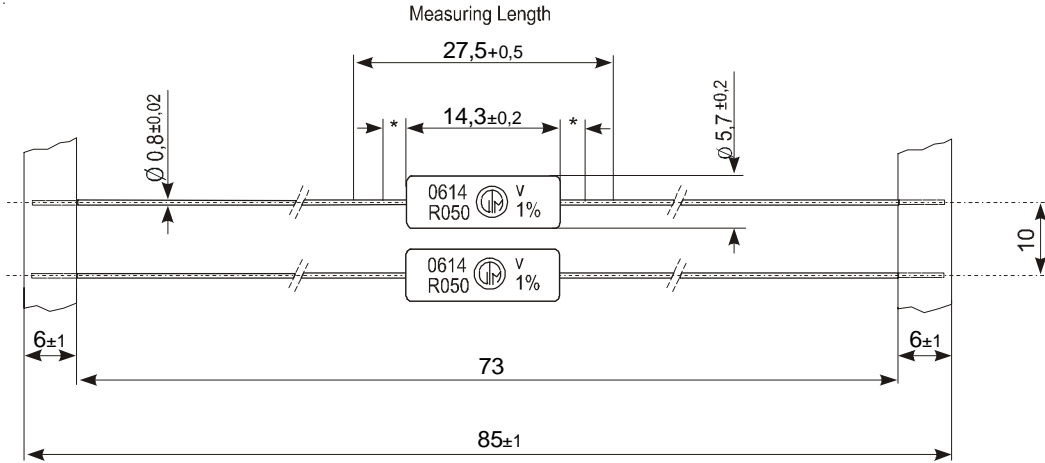
Low Ohmic Power Resistor



Specifications

Type		BWL 0614
Style		0614
Power rating P_{70}	W	1,5
Resistance range	Ω	0R005 0R062
E-Series		E 24
Tolerances	%	$\pm 1, \pm 5$
Temperature coefficient	$10^{-6} * K^{-1}$	< 200 (depends on value)
max. cont. work. voltage	V_{RMS}	$\sqrt{P_{70} \cdot R}$
Insulation voltage (1min.)	V_{RMS}	1000
Insulation resistance	Ω	> $10^4 M$
Derating linear	$^{\circ}C$	70 ... 175 (0W)
Climatic category		55/175/56
Temperature range	$^{\circ}C$	- 55 ... 175
Thermal resistance	KW^{-1}	74 (average)
Endurance (P_{70} , 1000h)	$\left[\frac{\Delta R}{R}\right] \%$	$\leq 0,5$
Damp heat, steady state (40 $^{\circ}C$, 93% r.h., 56d)	$\left[\frac{\Delta R}{R}\right] \%$	$\leq 0,5$
Climatic sequence	$\left[\frac{\Delta R}{R}\right] \%$	$\leq 1,0$
Terminal strength	$\left[\frac{\Delta R}{R}\right] \%$	$\pm 1,0$
Terminal tensile strength	N	40
Resistance to soldering heat (260 $^{\circ}C$, 10s)	$\left[\frac{\Delta R}{R}\right] \%$	$\pm 0,2$ typ.
Solderability	s	2,5 Flowtime, solderglobule test, IEC 60068-2-20-T
Marking		printed in clear

Dimensions in mm:

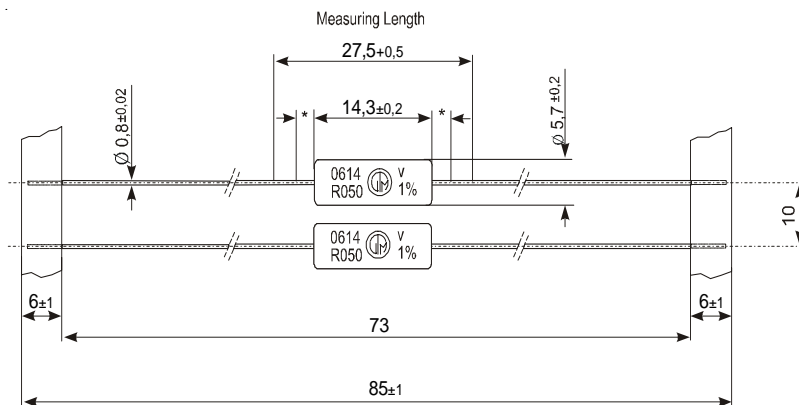


* 3mm, reduced solderability in this area.

Packaging:

Type	Packaging	Pieces	Pack.Code
BWL 0614	taped/Ammopack	1000	T

Ordering example: BWL 0614 5 T 0R01
 Type Tolerance Pack.-Code R-Value

Low-Power, moulded types, BWL family:

3mm, reduced solderability in this area.

If power rating is not the main concern, i.e. current ranges below 5A, a current sensing device in a standard resistor package may be suitable.

VITROHM offers a trough-hole part (BWL) axial tapping.

For the axial leaded BWL type, again „measuring length“ must be regarded in order to obtain correct resistance value on-board.

The power rating for this type is limited by the max. temperature of the moulding material. Overheating may cause carbonizing of the molding material, short circuit may occur.

This limits also the pulse handling capacity.

50A can be carried by the internal contacts, but energy must not exceed 625 mWs.