



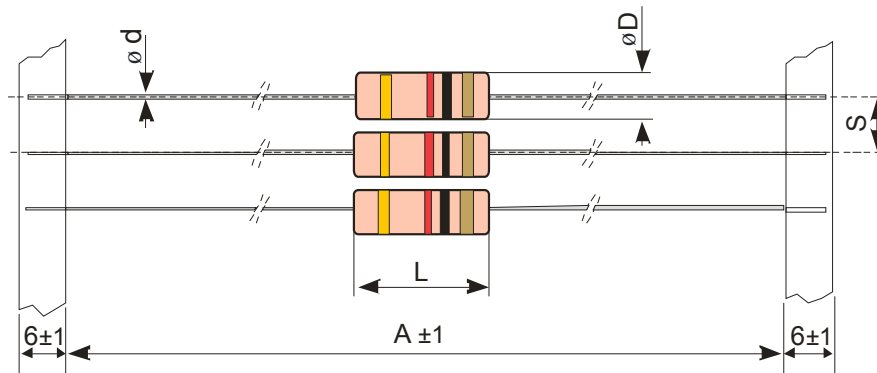
Power Metal film resistors

Flame retardant

Specifications

| Type | | PF0207 | PF0410 | PF0516 | PF0818 |
|--|------------------------|--|--------------|--------------|--------------|
| Style | | 0207 | 0410 | 0516 | 0818 |
| Nominal Power rating P_{70} | W | 1 | 2 | 3 | 4 |
| Resistance range | Ω | 0R1 ... 10M (1% tol. From 1R) | | | |
| E-series | | E24 ; E96 | | | |
| Tolerances | % | 5% ; 1% | | | |
| Temperature coefficient | $10^{-6} \cdot K^{-1}$ | ± 100 (± 50 for tol. 1% on request) | | | |
| Max. cont. working voltage | V_{RMS} | 350 | 500 | 750 | 750 |
| Insulation voltage (1min.) | V_{RMS} | 500 | 500 | 500 | 500 |
| Insulation resistance | Ω | $> 10^4$ | | | |
| Derating linear | $^{\circ}C$ | 70 ... 250 (0W) | | | |
| Climatic category | | 55 / 200 / 56 | | | |
| Temperature range | $^{\circ}C$ | - 55 ... 200 | - 55 ... 230 | - 55 ... 240 | - 55 ... 250 |
| Thermal resistance | KW^{-1} | 130 | 80 | 55 | 50 |
| Failure Rate (Total ϑ_0 max, 60% conf. lev.) | $10^{-9} h^{-1}$ | < 1 | | | |
| Endurance (P_{70} , @ 70 $^{\circ}C$, 1000h intem.) | $[\Delta R/R] \%$ | ± 2 | | | |
| Damp heat, steady state (40 $^{\circ}C$, 93% r.h., 56d) | $[\Delta R/R] \%$ | ± 2 | | | |
| Climatic sequence | $[\Delta R/R] \%$ | ± 2 | | | |
| Terminal Strength | $[\Delta R/R] \%$ | $\pm 0,2$ | | | |
| Terminal tensile Strength | N | 30 | | | |
| Resistance to soldering heat (350 $^{\circ}C$, 3s.) | $[\Delta R/R] \%$ | $\pm 0,25 + R05$ | | | |
| Solderability | S | 2,5 Flowtime, solderglobule test, IEC 60068-2-20-T | | | |
| Marking | | Colour code 4 bands (1% tol.: 5 bands) | | | |

Dimensions in mm:



| Type | L | $\varnothing D$ | $\varnothing d$ | A | S |
|--------|----------------|-----------------|-----------------|------|----|
| PF0207 | $6,3 \pm 0,5$ | $2,4 \pm 0,2$ | 0,6 | 52,4 | 5 |
| PF0410 | $9,0 \pm 0,5$ | $3,9 \pm 0,3$ | 0,6 | 52,4 | 5 |
| PF0516 | $15,5 \pm 1,0$ | $5,0 \pm 0,5$ | 0,8 | 73,0 | 10 |
| PF0818 | $17,0 \pm 1,0$ | $7,5 \pm 0,5$ | 0,8 | 73,0 | 10 |

Packaging:

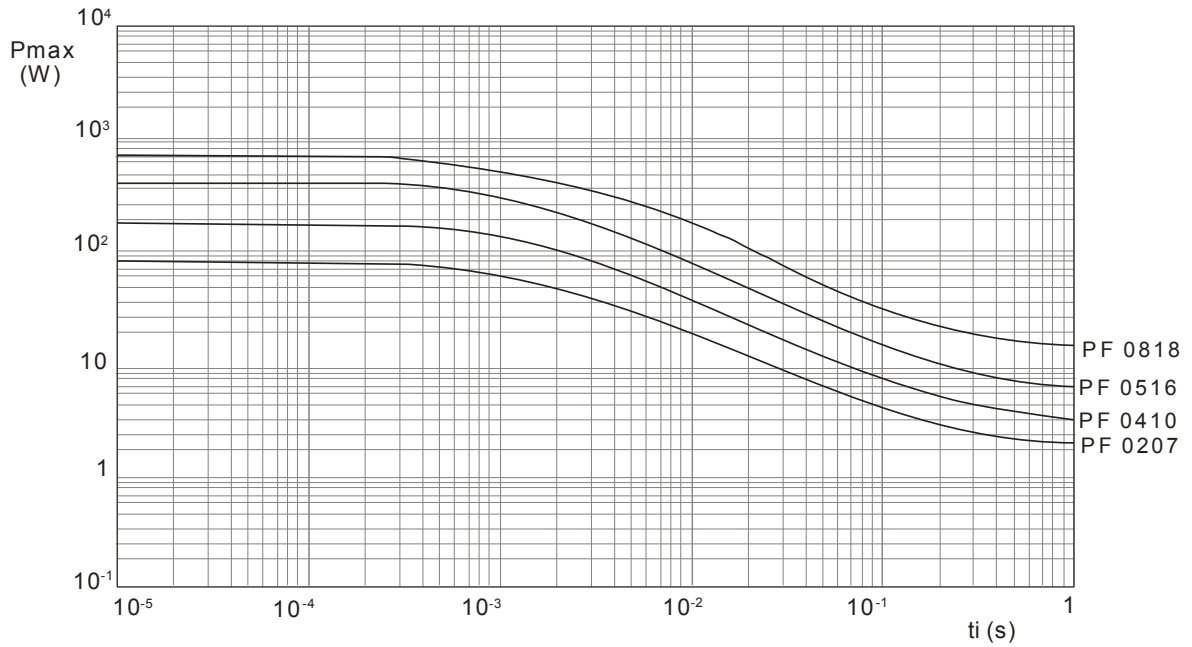
| Type | Packaging | Pieces | Pack. Code |
|--------|------------------|--------|------------|
| PF0207 | taped / Ammopack | 5000 | T |
| | * taped / reel | 5000 | R |
| PF0410 | taped / Ammopack | 1000 | T |
| | * taped / reel | 2500 | R |
| PF0516 | taped / Ammopack | 1000 | T |
| | * taped / reel | 1000 | R |
| PF0818 | taped / Ammopack | 250 | T |

* on request

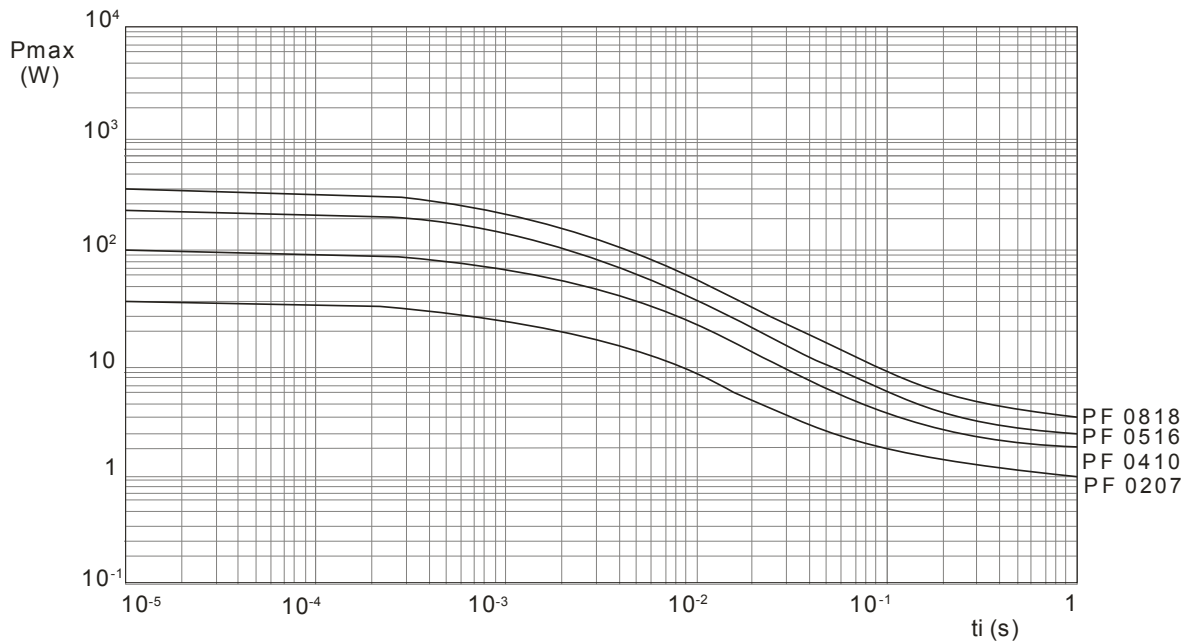
Ordering example: PF0207 5 T 15R
 Type Tolerance Pack.-Code R- value

PULSE RATING

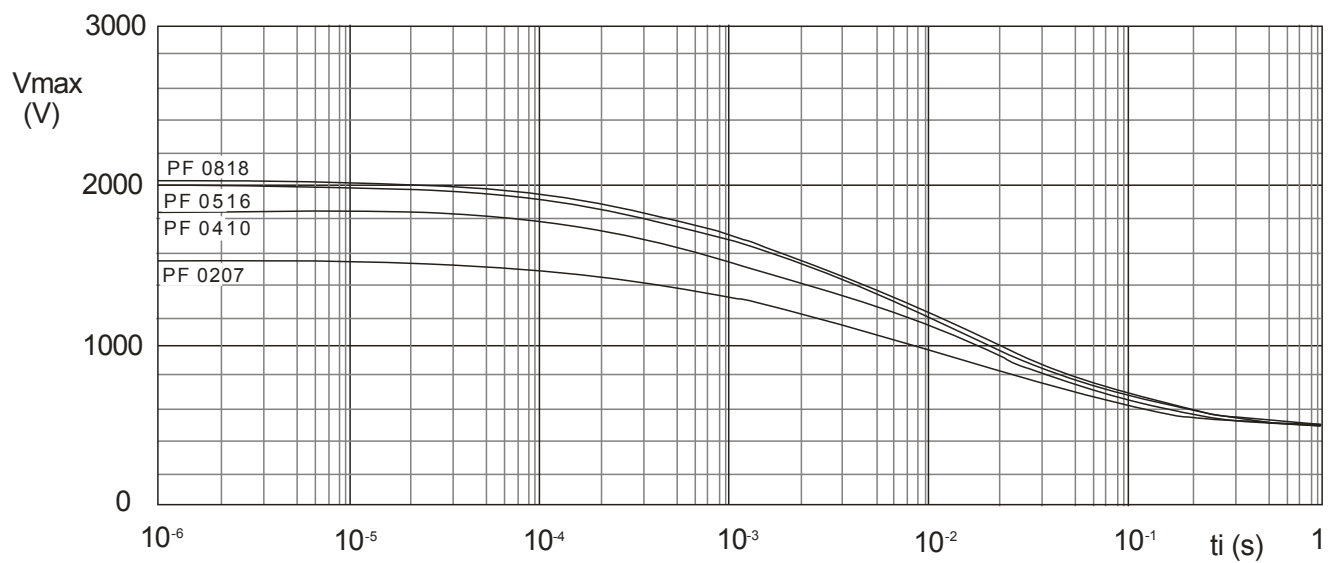
Single Pulse $\bar{P} = 0$



Continuous Pulse $\bar{P} \leq P_{70}$



PULSE RATING



Pulse on a regular basis; maximum permissible peak voltage (V-max) as a function of pulse duration (t_i) for typical resistor