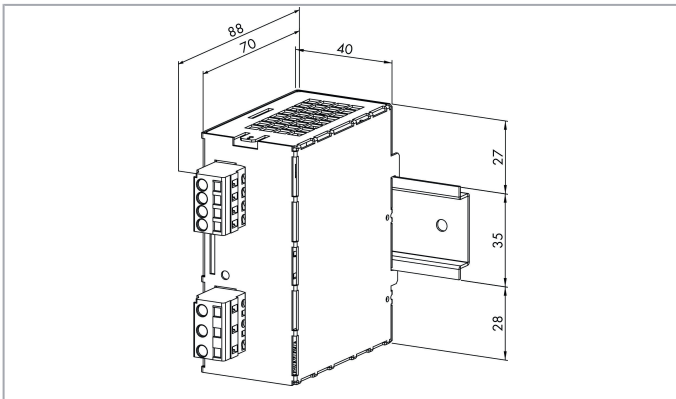
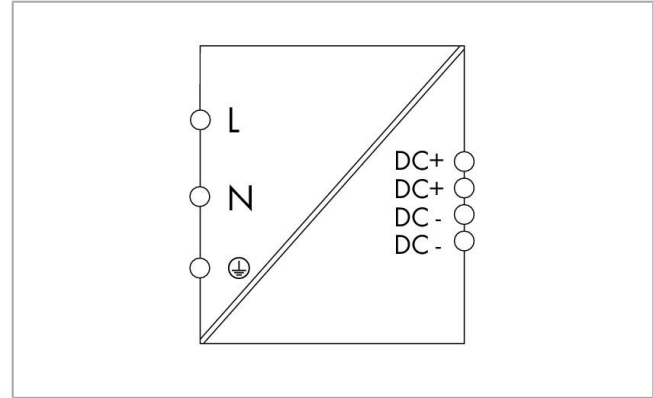
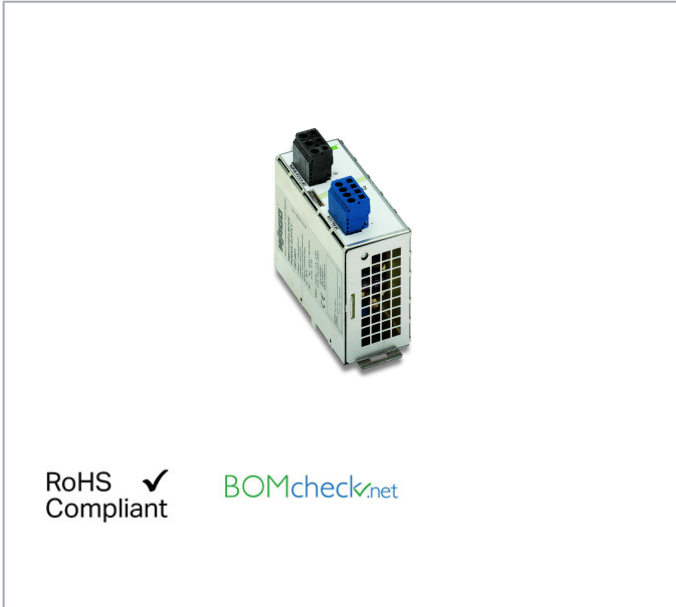


Data sheet | Item number: 787-602

Switched-mode power supply; Classic; 1-phase; 24 VDC output voltage; 1.3 A output current



www.wago.com/787-602



Item description

- Switched-mode power supply
- Protection class I
- Natural convection cooling when horizontally mounted
- Encapsulated for use in control cabinets
- Electrically isolated output voltage (SELV) per EN 60950-1/UL 60950

Subject to changes. Please also observe the further product documentation!

WAGO Kontakttechnik GmbH & Co. KG
Hansastr. 27
32423 Minden
Phone: +49571 887-0 | Fax: +49571 887-169
Email: info.de@wago.com | Web: www.wago.com

Do you have any questions about our products?
We are always happy to take your call at +49 (571) 887-44222.

Data**Technical data****Input**

Phases	1
Nominal input voltage $U_{i\text{ nom}}$	1 x AC 100 ... 240 V; DC 140 ... 300 V
Input voltage range	AC 90 ... 264 V; DC 130 ... 300 V
Nominal mains frequency range	50 ... 60 Hz; 0 Hz
Input current I_i	≤ 0.3 A (230 VAC)
Discharge current	≤ 0.9 mA
Inrush current	≤ 25 A
Power factor correction (PFC)	Passive
Mains failure hold-up time	≥ 20 ms (230 VAC)

Output

Nominal output voltage $U_{o\text{ nom}}$	DC 24 V (SELV)
Output voltage range	DC 22 ... 28.8 V (adjustable)
Default setting	DC 24 V
Nominal output current $I_{o\text{ nom}}$	1.3 A (24 VDC)
Control deviation	≤ 3 %
Residual ripple	≤ 100 mV (peak-to-peak)
Current limitation	$1.5 \times I_{o\text{ nom}}$ (typ.)
Overload behavior	Hiccup

Signaling and communication

Operation status indicator	Green LED (24 V OK)
----------------------------	---------------------

Efficiency/power losses

Power loss P_i	≤ 4.9 W (230 VAC; No load)
Power loss (max.) $P_{i\text{ (max.)}}$	7 W (90 VAC / 24 VDC; 1.3 A)
Efficiency (typ.)	83 %

Circuit protection

Internal fuse	T 2 A / 250 VAC
---------------	-----------------

Subject to changes. Please also observe the further product documentation!



Required backup fusing	An external DC fuse is required for the DC input voltage.
Recommended backup fusing	Circuit breaker: C10 or B10

Safety and protection

Isolation voltage (Pri.-Sec.)	DC 4.242 kV
Isolation voltage (Pri.-GND)	DC 2.2 kV
Isolation voltage (Sec.-GND)	DC 0.7 kV
Protection class	I
Protection type	IP20 (per EN 60529)
Resistance to reverse feed	≤ DC 30 V
Transient suppression (primary)	Varistor
Overvoltage protection; secondary	Internal protective circuit ≤ 40 VDC (in the event of a fault)
Short-circuit-protected	Yes ("hiccup")
Open-circuit-proof	Yes
Parallel operation	No
Series operation	Yes

Connection data

Connection type (1)	Input/Output
Connection technology	CAGE CLAMP®
WAGO Connector	WAGO 231 Series
Solid conductor	0.08 ... 2.5 mm ² / 28 ... 12 AWG
Fine-stranded conductor	0.08 ... 2.5 mm ² / 28 ... 12 AWG
Strip length	8 ... 9 mm / 0.31 ... 0.35 inch
Note (conductor cross-section)	12 AWG: THHN, THWN

Physical data

Width	40 mm / 1.575 inch
Height from upper-edge of DIN-rail	95 mm / 3.74 inch
Depth from upper edge of DIN-rail	90 mm / 3.543 inch

Mechanical data

Mounting type	DIN-35 rail
---------------	-------------

Subject to changes. Please also observe the further product documentation!

WAGO Kontakttechnik GmbH & Co. KG
 Hansastr. 27
 32423 Minden
 Phone: +49571 887-0 | Fax: +49571 887-169
 Email: info.de@wago.com | Web: www.wago.com

Do you have any questions about our products?
 We are always happy to take your call at +49 (571) 887-44222.

Material data

Weight	300 g
--------	-------

Environmental requirements

Surrounding air temperature (operation)	-10 ... 70 °C
Surrounding air temperature (storage)	-25 ... 85 °C
Relative humidity	30 ... 85 % (no condensation permissible)
Derating	-3 %/K (> 50 °C)
Pollution degree	2
Climatic category	3K3 (per EN 60721)

Standards and specifications


Conformity marking	CE
Standards/Specifications	EN 60950-1; EN 61204-3; UL 60950; UL 508; GL

Commercial data

Product Group	6 (Interface Electronics)
Packaging type	BOX
Country of origin	DE
GTIN	4045454435134
Customs tariff number	85044082900

Approvals / Certificates

Ship Approvals

Logo	Approval	Additional Approval Text	Certificate name
	DNV GL Det Norske Veritas, Germanischer Lloyd	-	TAA00002J6

UL-Approvals

Logo	Approval	Additional Approval Text	Certificate name
	UL Underwriters Laboratories Inc.	UL 508	E255817

Subject to changes. Please also observe the further product documentation!

WAGO Kontakttechnik GmbH & Co. KG
Hansastr. 27
32423 Minden
Phone: +49571 887-0 | Fax: +49571 887-169
Email: info.de@wago.com | Web: www.wago.com

Do you have any questions about our products?
We are always happy to take your call at +49 (571) 887-44222.



UL

UL 60950-1

E255815



Underwriters Laboratories Inc.

Downloads

Documentation

Bid Text

787-602 docx - Datei	Jun 13, 2019	docx 20.3 kB	Download
787-602 X81 - Datei	Jun 13, 2019	xml 6.9 kB	Download

Instruction Leaflet

Primär getaktete Stromversorgungen EPSITRON-CLASSIC-Power DC 24 V, 1,3 A		pdf 182.1 kB	Download
---	--	-----------------	----------

Additional Information

Disposal; Electrical and electronic equipment, Packaging	V 1.0.0	pdf 265.8 kB	Download
--	---------	-----------------	----------

CAD/CAE-Data

CAD data

2D/3D Models 787-602		URL	Download
----------------------	--	-----	----------

CAE data

EPLAN Data Portal 787-602		URL	Download
---------------------------	--	-----	----------

WSCAD Universe 787-602		URL	Download
------------------------	--	-----	----------

ZUKEN Portal 787-602		URL	Download
----------------------	--	-----	----------

Subject to changes. Please also observe the further product documentation!

WAGO Kontakttechnik GmbH & Co. KG
Hansastr. 27
32423 Minden
Phone: +49571 887-0 | Fax: +49571 887-169
Email: info.de@wago.com | Web: www.wago.com

Do you have any questions about our products?
We are always happy to take your call at +49 (571) 887-44222.



Installation Notes

Product family

EPSITRON CLASSIC Power

EPSITRON® CLASSIC POWER: The Robust Power Supply – with Integrated TopBoost (Optional)

[Show all products from the family](#)

Subject to changes. Please also observe the further product documentation!

WAGO Kontakttechnik GmbH & Co. KG
Hansastr. 27
32423 Minden
Phone: +49571 887-0 | Fax: +49571 887-169
Email: info.de@wago.com | Web: www.wago.com

Do you have any questions about our products?
We are always happy to take your call at +49 (571) 887-44222.