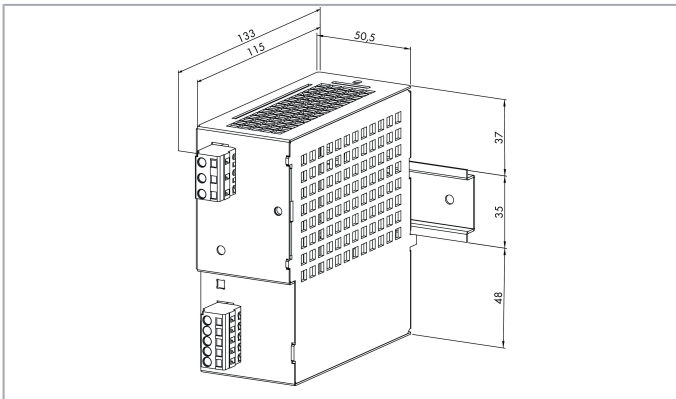
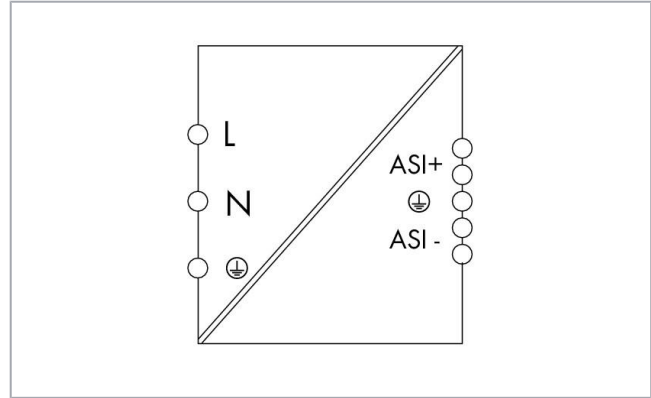
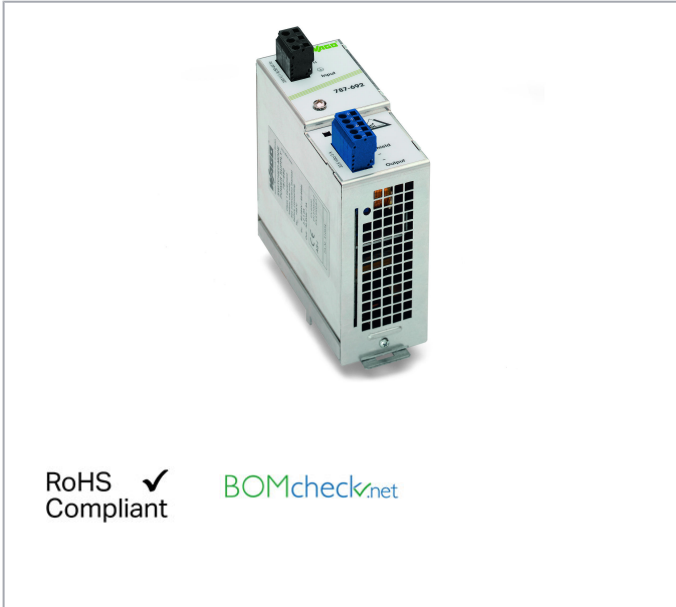


## Data sheet | Item number: 787-692

Switched-mode power supply; Classic; 1-phase; Output voltage: 30.5 VDC; 3 A output current; 2,50 mm<sup>2</sup>



[www.wago.com/787-692](http://www.wago.com/787-692)



### Item description

- Switched-mode power supply
- Supplies AS-Interface fieldbus systems
- Minimum conductor size per AS-Interface specification: 1.5 mm<sup>2</sup>
- Natural convection cooling when horizontally mounted
- Encapsulated for use in control cabinets
- Electrically isolated output voltage (SELV) per EN 60950-1/UL 60950

Subject to changes. Please also observe the further product documentation!

WAGO Kontakttechnik GmbH & Co. KG  
Hansastr. 27  
32423 Minden  
Phone: +49571 887-0 | Fax: +49571 887-169  
Email: [info.de@wago.com](mailto:info.de@wago.com) | Web: [www.wago.com](http://www.wago.com)

Do you have any questions about our products?  
We are always happy to take your call at +49 (571) 887-44222.

## Data

### Technical data

#### Input

Phases	1
Nominal input voltage $U_{i \text{ nom}}$	1 x AC 100 ... 240 V; DC 140 ... 300 V
Input voltage range	AC 85 ... 264 V; DC 120 ... 300 V
Nominal mains frequency range	50 ... 60 Hz; 0 Hz
Input current $I_i$	$\leq 0.8 \text{ A}$ (230 VAC); $\leq 1.4 \text{ A}$ (115 VAC)
Discharge current	$\leq 0.6 \text{ mA}$
Inrush current	$\leq 50 \text{ A}$
Power factor correction (PFC)	Passive
Mains failure hold-up time	$\geq 50 \text{ ms}$ (230 VAC)

#### Output

Nominal output voltage $U_{o \text{ nom}}$	DC 30.5 V (SELV)
Output voltage range	DC 26 ... 33 V (adjustable)
Default setting	DC 30.5 V
Nominal output current $I_{o \text{ nom}}$	3 A (30.5 VDC)
Control deviation	$\leq 3 \%$
Load regulation	$\leq 2.5 \%$
Residual ripple	$\leq 300 \text{ mV}$ (peak-to-peak, < 10 kHz); $\leq 50 \text{ mV}$ (peak-to-peak; 10 kHz ... 20 MHz)
Current limitation	$1.1 \times I_{o \text{ nom}}$ (typ.)
Overload behavior	Constant current

#### Signaling and communication

Operation status indicator	Green LED (30.5 V OK)
----------------------------	-----------------------

#### Efficiency/power losses

Power loss $P_l$	$\leq 9 \text{ W}$ (230 VAC; no load)
Power loss (max.) $P_{l \text{ (max.)}}$	14.2 W (264 VAC / 30.5 VDC; 3 A)
Efficiency (typ.)	89 %

Subject to changes. Please also observe the further product documentation!

WAGO Kontakttechnik GmbH & Co. KG  
 Hansastr. 27  
 32423 Minden  
 Phone: +49571 887-0 | Fax: +49571 887-169  
 Email: [info.de@wago.com](mailto:info.de@wago.com) | Web: [www.wago.com](http://www.wago.com)

Do you have any questions about our products?  
 We are always happy to take your call at +49 (571) 887-44222.



## Circuit protection

Internal fuse	T 4 A / 250 VAC
Required backup fusing	An external DC fuse is required for the DC input voltage.
Recommended backup fusing	Circuit breaker: C10 or B16

## Safety and protection

Isolation voltage (Pri.-Sec.)	DC 4.242 kV
Isolation voltage (Pri.-GND)	DC 2.2 kV
Isolation voltage (Sec.-GND)	DC 0.7 kV
Protection class	I
Protection type	IP20 (per EN 60529)
Resistance to reverse feed	≤ DC 40 V
Transient suppression (primary)	Varistor
Overvoltage protection; secondary	Internal protective circuit ≤ 48 VDC (in the event of a fault)
Short-circuit-protected	Yes
Open-circuit-proof	Yes
Parallel operation	No
Series operation	No

## Connection data

Connection type (1)	Input/Output
Connection technology	CAGE CLAMP®
WAGO Connector	WAGO 231 Series
Solid conductor	0.08 ... 2.5 mm <sup>2</sup> / 28 ... 12 AWG
Fine-stranded conductor	0.08 ... 2.5 mm <sup>2</sup> / 28 ... 12 AWG
Strip length	8 ... 9 mm / 0.31 ... 0.35 inch
Note (conductor cross-section)	12 AWG: THHN, THWN

## Physical data

Width	51 mm / 2.008 inch
Height from upper-edge of DIN-rail	133 mm / 5.236 inch
Depth from upper edge of DIN-rail	120 mm / 4.724 inch

## Mechanical data

Mounting type	DIN-35 rail
---------------	-------------

Subject to changes. Please also observe the further product documentation!

WAGO Kontakttechnik GmbH & Co. KG  
 Hansastr. 27  
 32423 Minden  
 Phone: +49571 887-0 | Fax: +49571 887-169  
 Email: [info.de@wago.com](mailto:info.de@wago.com) | Web: [www.wago.com](http://www.wago.com)

Do you have any questions about our products?  
 We are always happy to take your call at +49 (571) 887-44222.

## Material data

Weight	650 g
--------	-------

## Environmental requirements

Surrounding air temperature (operation)	-10 ... 70 °C
Surrounding air temperature (storage)	-25 ... 85 °C
Relative humidity	30 ... 85 % (no condensation permissible)
Derating	-3 %/K (> 50 °C)
Pollution degree	2
Climatic category	3K3 (per EN 60721)

## Standards and specifications


Conformity marking	CE
Standards/Specifications	EN 60950-1; EN 61204-3; EN 61204-7; UL 60950; UL 508; GL

## Commercial data

Packaging type	BOX
Country of origin	DE
GTIN	4045454448097
Customs tariff number	85044082900

## Approvals / Certificates

### Ship Approvals

Logo	Approval	Additional Approval Text	Certificate name
	<b>DNV GL</b> Det Norske Veritas, Germanischer Lloyd	-	TAA00002J6

## Downloads

### Documentation

#### Bid Text

787-692	Jul 4, 2019	xml	Download
X81 - Datei		7.1 kB	

Subject to changes. Please also observe the further product documentation!

WAGO Kontakttechnik GmbH & Co. KG  
 Hansastr. 27  
 32423 Minden  
 Phone: +49571 887-0 | Fax: +49571 887-169  
 Email: [info.de@wago.com](mailto:info.de@wago.com) | Web: [www.wago.com](http://www.wago.com)

Do you have any questions about our products?  
 We are always happy to take your call at +49 (571) 887-44222.



---

787-692 docx - Datei	Jul 4, 2019	docx 21.5 kB	Download
-------------------------	-------------	-----------------	----------

---

#### Instruction Leaflet

Primär getaktete Stromversorgungen EPSITRON-CLASSIC-Power für AS-Interface DC 30,5 V, 3 A		pdf 220.9 kB	Download
--	--	-----------------	----------

---

#### Additional Information

Disposal; Electrical and electronic equipment, Packaging	V 1.0.0	pdf 265.8 kB	Download
--	---------	-----------------	----------

---

#### CAD/CAE-Data

##### CAD data

2D/3D Models 787-692		URL	Download
----------------------	--	-----	----------

---

##### CAE data

EPLAN Data Portal 787-692		URL	Download
---------------------------	--	-----	----------

---

ZUKEN Portal 787-692		URL	Download
----------------------	--	-----	----------

---

WSCAD Universe 787-692		URL	Download
------------------------	--	-----	----------

---

#### Installation Notes

#### Product family

##### EPSITRON CLASSIC Power

EPSITRON® CLASSIC POWER: The Robust Power Supply – with Integrated TopBoost (Optional)

[Show all products from the family](#)

Subject to changes. Please also observe the further product documentation!

---

WAGO Kontakttechnik GmbH & Co. KG  
Hansastr. 27  
32423 Minden  
Phone: +49571 887-0 | Fax: +49571 887-169  
Email: [info.de@wago.com](mailto:info.de@wago.com) | Web: [www.wago.com](http://www.wago.com)

Do you have any questions about our products?  
We are always happy to take your call at +49 (571) 887-44222.