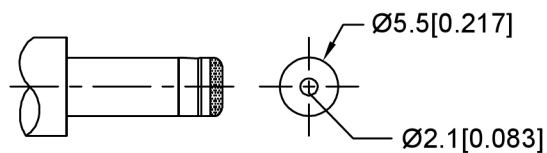
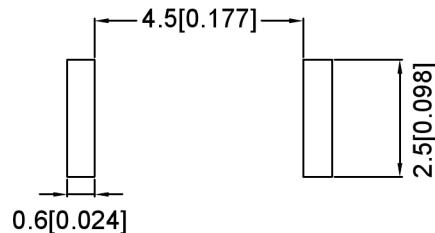
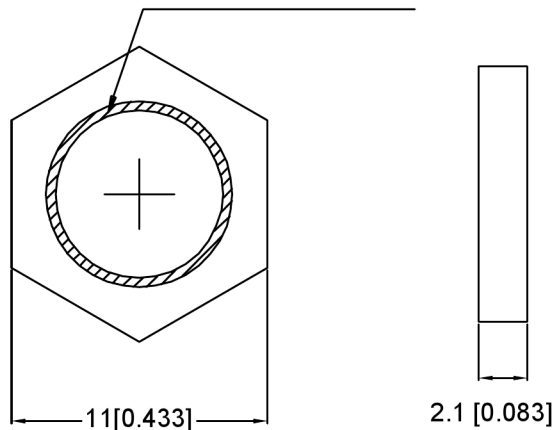


M8.0*0.75



MATING PLUG

Jack Insertion Depth 9.15mm

SCHEMATIC	1 3
Model	DC-022B
Center Pin	Ø2.0 mm
	Ø2.5 mm

	MATERIAL	PLATING
axle sleeve	Brass	tin
nut	Brass	tin
plastic	Pbt	
center pin	Brass	tin
terminal 2	Brass	tin
terminal 3	Phosphor Bronze	tin

DATE	REVISED	APPROVED	UNSPECIFIED TOLERANCES
DATE	REVISED	APPROVED	UNSPECIFIED TOLERANCES
DATE	REVISED	APPROVED	UNSPECIFIED TOLERANCES
DATE	REVISED	APPROVED	UNSPECIFIED TOLERANCES

ANGLAR	±5°
L ≤ 4	±0.2
4 < L ≤ 16	±0.3
16 < L ≤ 63	±0.4
L > 63	±0.5



DSND	SCALE: N/A
DWN	VIEW:
CHKD	UNIT: mm/in
APPD	SIZE: A4

MODEL TYPE:	DC POWER JACK	
PART NO.:	DC-022B-2.0	
DWG NO.:		
WEIGHT	SHEET	REVISIC
	1/1	A0

XKB INDUSTRIAL PRECISION CO., LIMITED

文件工程章

www.helloxkb.com www.helloxkb.cn www.xk-dg.cn