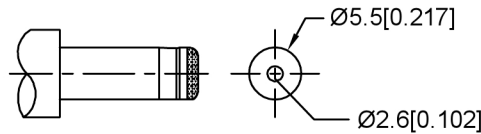
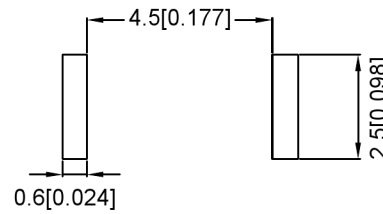
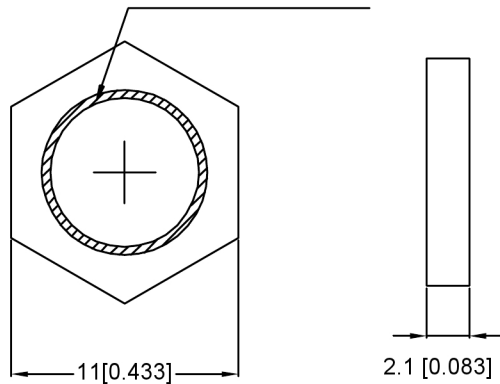


M8.0\*0.75



MATING PLUG

Jack Insertion Depth: 9.15 mm

SCHEMATIC	1 3
Model	DC-022B
Center Pin	Ø2.0 mm
	Ø2.5 mm

	MATERIAL	PLATING
axle sleeve	Brass	tin
nut	Brass	tin
plastic	Pbt	
center pin	Brass	tin
terminal 2	Brass	tin
terminal 3	Phosphor Bronze	tin

广东星坤科技股份有限公司

Δx		日期
Δx		日期
Δx		日期
MARK		

DESCRIPTION

REVISIONS

DATE

REVISED

APPROVED

UNSPECIFIED TOLERANCES

ANGULAR	±5°
L ≤ 4	±0.2
4 < L ≤ 16	±0.3
16 < L ≤ 63	±0.4
L > 63	±0.5

XKIB

XKB INDUSTRIAL PRECISION CO., LIMITED

DSND		SCALE: N/A
DWN		VIEW:
CHKD		UNIT: mm/in
APPD		SIZE: A4

MODEL TYPE:	DC POWER JACK
PART NO.:	DC-022B-2.5
DWG NO.:	

WEIGHT	SHEET	REVISIC
	1/1	A0

文件工程章