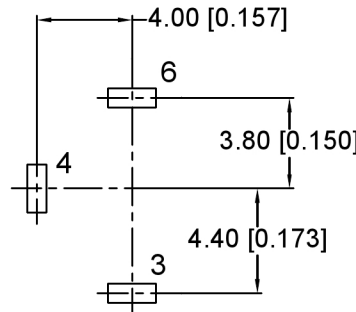
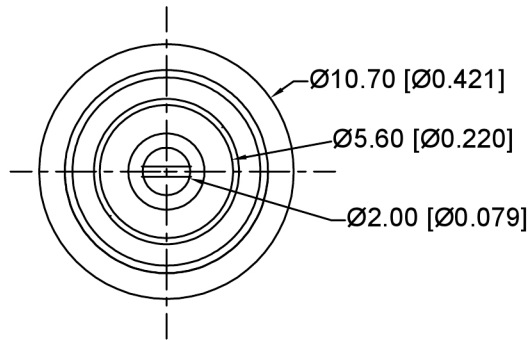


Main technical performance
 主要技术性能
Rated electric load: DC 30V \ 2.0A
 额定电负荷 DC 30V\2.0A
Contact resistance ≤ 0.03 Ω
 接触电阻 ≤0.03Ω
Insulation resistance ≥ 100m Ω
 绝缘电阻 ≥100MΩ
Withstand voltage Ac500V (50Hz) / min
 耐压 AC500V(50Hz)/min
Insertion force: 3-20n
 插拔力 3-20N
Operating temperature range: - 30-70 °C
 使用温度范围 -30-70℃
Service life: 5000 times
 使用寿命 5000次

SCHEMTAIC	
Model	DC-026-5A
Center Pin	Ø2.0 mm
	Ø2.5 mm



	MATERIAL	PLATING
axle sleeve	Brass	tin
plastic	Pbt	
center pin	Brass	tin
terminal 1	Brass	tin
terminal 2	Brass	tin
terminal 3	Phosphor Bronze	tin

广东星坤科技股份有限公司

文件工程章

REVISIONS	DATE	REVISED	APPROVED	DESCRIPTION

UNSPECIFIED TOLERANCES

XKB

DSND	SCALE: N/A	MODEL TYPE: DC POWER JACK
DWN	VIEW:	PART NO.: DC-026-5A-2.0
CHKD	UNIT: mm/in	DWG NO.:
APPD	SIZE: A4	WEIGHT
XKB INDUSTRIAL PRECISION CO., LIMITED		SHEET 1/1
		REVISIC A0