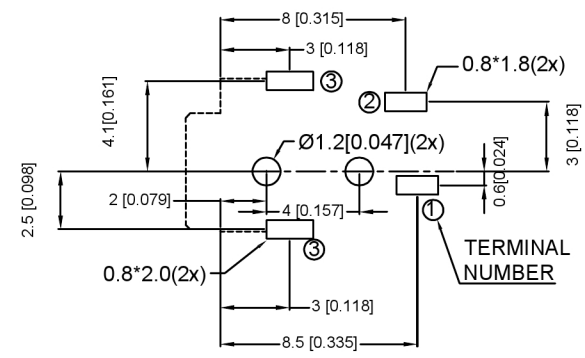


SCHEMATIC	
Model	DC-0310
Center Pin	Ø1.0 mm Ø1.3 mm



PCB LAYOUT (BOTTOM VIEW)

	MATERIAL	PLATING
axis support	Brass	tin
center pin	Brass	tin
plastic	Pbt	
terminal 1	Brass	tin
terminal 2	Phosphor Bronze	tin
terminal 3	Brass	tin

广东星坤科技股份有限公司

Δx	日期
Δx	日期
Δx	日期
MARK	DESCRIPTION

文件工程章

REVISIONS	DATE	REVISED	APPROVED	UNSPECIFIED TOLERANCES
ANGLAR				±5°
L ≤ 4				±0.2
4 < L ≤ 16				±0.3
16 < L ≤ 63				±0.4
L > 63				±0.5

www.helloxkb.com www.helloxkb.cn www.xk-dg.cn



XKB INDUSTRIAL PRECISION CO., LIMITED

DSND	SCALE: N/A	MODEL TYPE: DC POWER JACK
DWN	VIEW:	PART NO.: DC-0310-1.0
CHKD	UNIT: mm/in	DWG NO.:
APPD	SIZE: A4	

WEIGHT	SHEET	REVISIC
	1/1	A0