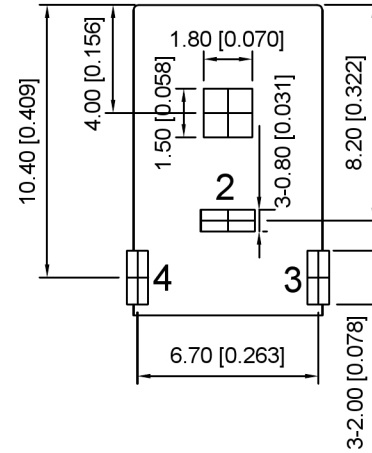
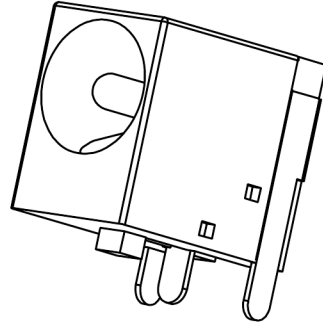
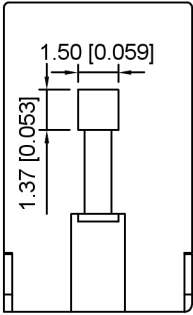


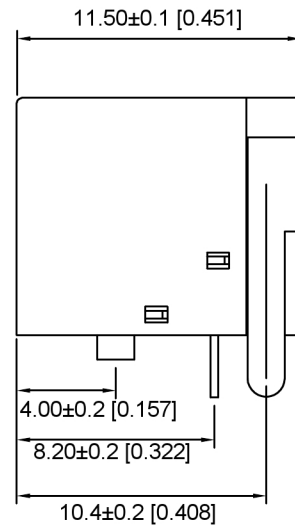
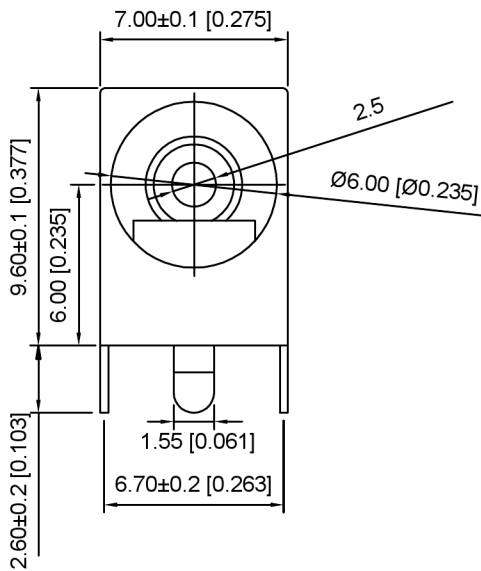
Specifications:

规格:

- 1.Voltage rating:12VAC/DC**
额定电压: 12V AC/DC
- 2.Current rating:3A AC/DC**
额定电流: 3A AC/DC
- 3.Withstanding voltage:500V AC/minute**
耐受电压: ≥500V AC/分钟
- 4.Temperature range: -30 °C-+70 °C**
温度范围: -30 °C-+70 °C
- 5.Insulation resistance:100MΩMIN**
绝缘电阻: ≥100MΩ
- 6.Contact resistance:30mΩMax**
接触电阻: ≥30mΩ
- 7. Life:5000 cycles**
寿命: 5000次
- 8. Insertion and extrction force : 3-20N**
插拔力: 3-20N



P.C.B LATOUT TOP VIEW



| | |
|------------|----------|
| SCHEMATIC | |
| Model | DC-0360 |
| Center Pin | Ø1.65 mm |
| Center Pin | Ø2.0 mm |
| Center Pin | Ø2.5 mm |

| ITEN | Name | Number | Material | Color | PLATING |
|------|--------------|--------|----------|--------|---------|
| 5 | Center pin | 1 | Brass | - | Tin |
| 4 | plain film | 1 | Brass | T=0.30 | Silver |
| 3 | illustration | 1 | Brass | T=0.30 | Silver |
| 2 | Contact | 1 | Brass | T=0.30 | Silver |
| 1 | Base | 1 | PBT | Black | - |

广东星坤科技股份有限公司
日期
文件工程章

| REVISIONS | DATE | REVISED | APPROVED | UNSPECIFIED TOLERANCES |
|-----------|------|---------|----------|------------------------|
| ΔX | | | | ANGULAR ±5° |
| ΔX | | | | L ≤ 4 ±0.2 |
| ΔX | | | | 4 < L ≤ 16 ±0.3 |
| MARK | | | | 16 < L ≤ 63 ±0.4 |
| | | | | L > 63 ±0.5 |



| | | | |
|------|--|-------------|--------------------------------|
| DSND | | SCALE: N/A | MODEL TYPE: DC POWER JACK |
| DWN | | VIEW: | PART NO.: DC-0360-2.5 |
| CHKD | | UNIT: mm/in | DWG NO.: X-DC-0360-2.5 |
| APPD | | SIZE: A4 | WEIGHT SHEET REVISIC 1/1 A0 |

XKB INDUSTRIAL PRECISION CO., LIMITED