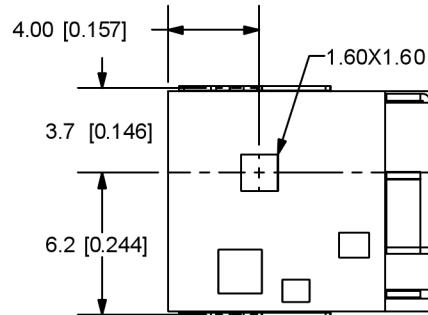
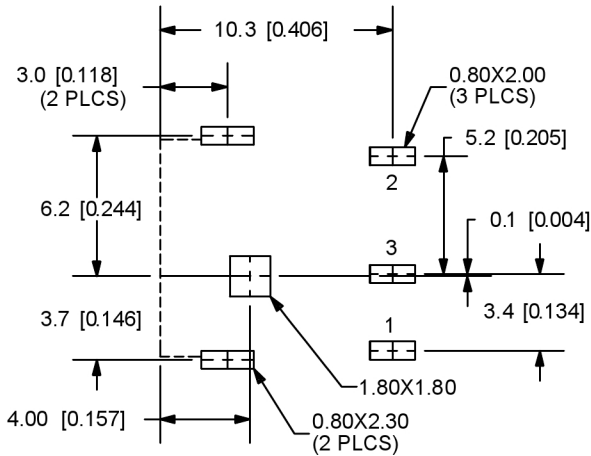


| | |
|------------|--------------|
| SCHEMATIC | |
| Model | DC-044A-2.5A |
| Center Pin | Ø2.0 mm |
| | Ø2.5 mm |



| | MATERIAL | PLATING |
|--------------|-----------------|---------|
| axis support | Brass | silver |
| center pin | Brass | silver |
| plastic | Pbt | |
| terminal 1 | Brass | silver |
| terminal 2 | Phosphor Bronze | silver |
| terminal 3 | Brass | silver |

广东星坤科技股份有限公司

| | |
|------|-------------|
| ΔX | 日期 |
| ΔX | 日期 |
| ΔX | 日期 |
| MARK | DESCRIPTION |

文件工程章

| REVISIONS | DATE | REVISED | APPROVED | UNSPECIFIED TOLERANCES |
|-----------|------|---------|----------|------------------------|
| | | | | |

ANGLAR ±5°
L ≤ 4 ±0.2
4 < L ≤ 16 ±0.3
16 < L ≤ 63 ±0.4
L > 63 ±0.5

XKIB

XKB INDUSTRIAL PRECISION CO., LIMITED

| | | |
|------|-------------|----------------------------|
| DSND | SCALE: N/A | MODEL TYPE: DC POWER JACK |
| DWN | VIEW: | PART NO.: DC-044A-2.5A-2.5 |
| CHKD | UNIT: mm/in | DWG NO.: |
| APPD | SIZE: A4 | |
| | WEIGHT | SHEET |
| | | 1/1 |
| | REVISIC | A0 |