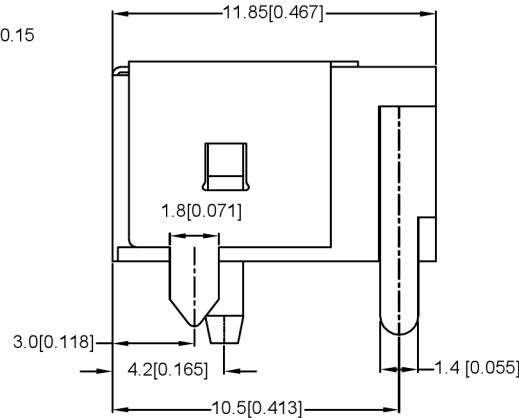
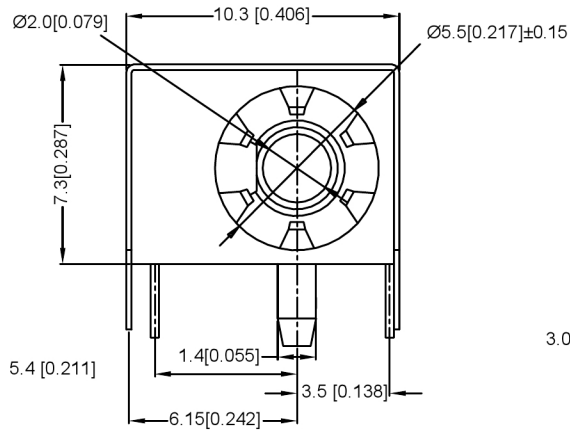


P.C.B LAYOUT TOP VIEW



SCHEMATIC	
Model	DC-044B
Center Pin	Ø2.0 mm
	Ø2.5 mm

	MATERIAL	PLATING
axis support	Brass	silver
center pin	Brass	silver
plastic	Pbt	
terminal 1	Brass	silver
terminal 2	Phosphor Bronze	silver
terminal 3	Brass	silver

广东星坤科技股份有限公司

Δx	日期
Δx	日期
Δx	日期
MARK	DESCRIPTION

文件工程章

REVISIONS	DATE	REVISED	APPROVED	UNSPECIFIED TOLERANCES
ANGLAR				±5°
L ≤ 4				±0.2
4 < L ≤ 16				±0.3
16 < L ≤ 63				±0.4
L > 63				±0.5



XKB INDUSTRIAL PRECISION CO., LIMITED

DSND	SCALE: N/A	MODEL TYPE: DC POWER JACK
DWN	VIEW:	PART NO.: DC-044B-3A-2.0
CHKD	UNIT: mm/in	DWG NO.:
APPD	SIZE: A4	
	WEIGHT	SHEET
		1/1
	REVISIC	A0

www.helloxkb.com www.helloxkb.cn www.xk-dg.cn