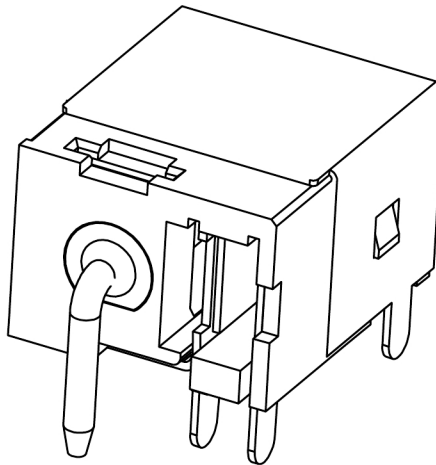
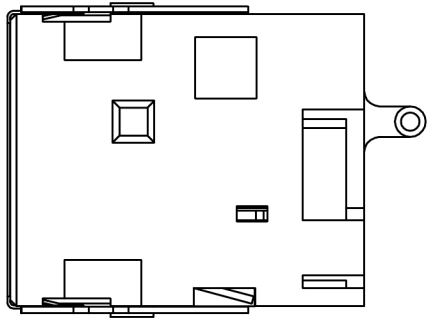
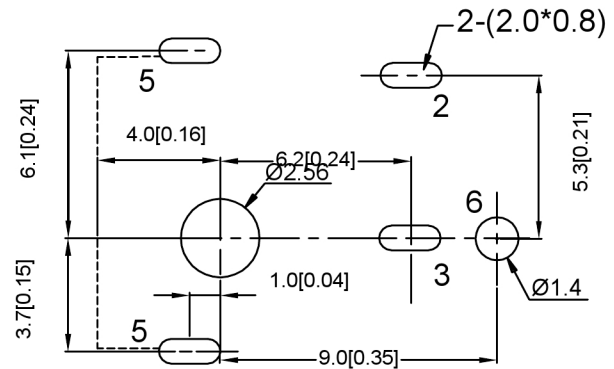


P.C.B LAYOUT  
TOP VIEW



SCHEMATIC	
Model	DC-044F
Center Pin	Ø2.0 mm
	Ø2.5 mm

	MATERIAL	PLATING
axis support	Brass	silver
center pin	Brass	silver
plastic	Pbt	
terminal 1	Brass	silver
terminal 2	Phosphor Bronze	silver
terminal 3	Brass	silver

广东星坤科技股份有限公司

Δx		日期
Δx		日期
Δx		日期
MARK		

文件工程章

DESCRIPTION	DATE	REVISED	APPROVED	UNSPECIFIED TOLERANCES
				ANGULAR ±5°
				L ≤ 4 ±0.2
				4 < L ≤ 16 ±0.3
				16 < L ≤ 63 ±0.4
				L > 63 ±0.5



XKB INDUSTRIAL PRECISION CO., LIMITED

DSND		SCALE: N/A	MODEL TYPE: DC POWER JACK
DWN		VIEW:	PART NO.: DC-044F-5A-2.0
CHKD		UNIT: mm/in	DWG NO.:
APPD		SIZE: A4	
		WEIGHT	SHEET
			REVISIC
		1/1	A0