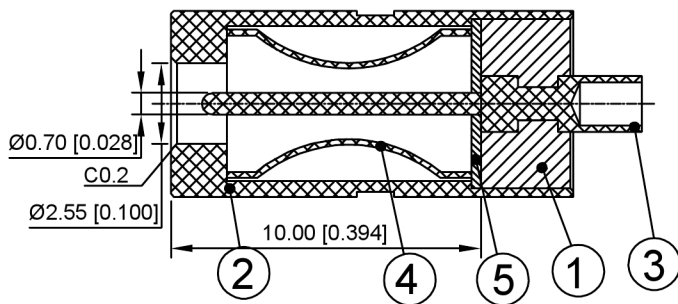


Technolo Request:

- 1.Outlook:
NO burr,no hurt.
- 2.Electronic performance:
 - a:Insulation resistance:
Above DC500V/100M Ω ;
 - b:Endure voltage:
AC500V at 1 minute;
 - c>Contact resistance:
Under 30M Ω ;
- 3.Insertion fore & withdrawal force;0.3-3kgf.
- 4.Salt spray test :24H.



	MATERIAL	PLATING
plastic	Pbt	Black
Waterproof tube	C3604	NI
terminal	Brass	NI
Spring	phosphor bronze	NI
silicone pad		

广东星坤科技股份有限公司
文件工程章

MARK	DESCRIPTION	DATE	REVISED	APPROVED	UNSPECIFIED TOLERANCES
Δ x					ANGLAR $\pm 5^\circ$
Δ x					$L \leq 4$ ± 0.2
Δ x					$4 < L \leq 16$ ± 0.3
					$16 < L \leq 63$ ± 0.4
					$L > 63$ ± 0.5



DSND		SCALE: N/A	MODEL TYPE: DC POWER JACK
DWN		VIEW:	PART NO.: DC-F0760
CHKD		UNIT: mm/in	DWG NO.:
APPD		SIZE: A4	
XKB INDUSTRIAL PRECISION CO., LIMITED			WEIGHT
			SHEET
			REVISIC
			1/1
			A0