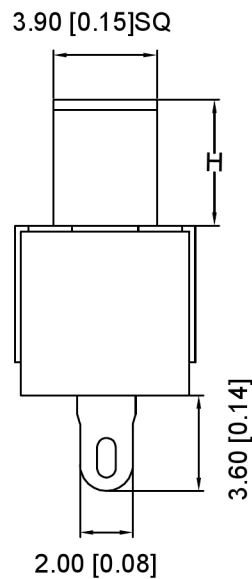
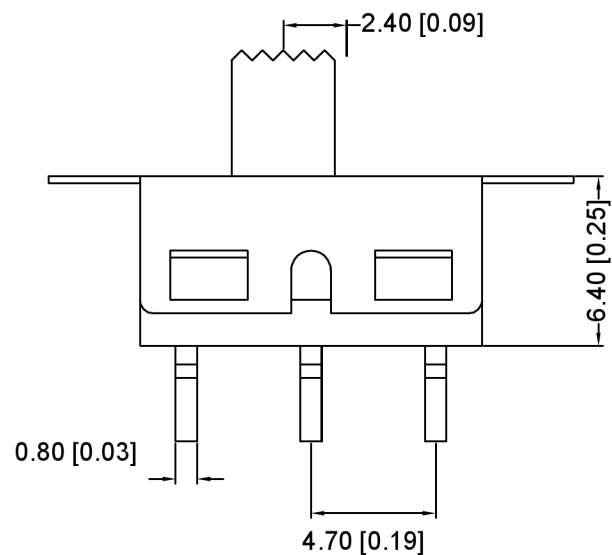
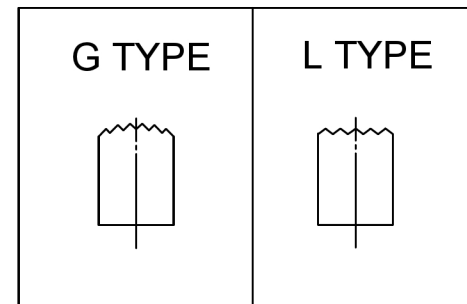


SCHMATIC

MODEL CODE

SS-12D16	X	X	X
Knob Type	H(mm)		Colour
L	2~12		Blank: Standard Black
G			R: Red



Typical Specifications

1. Rating: AC 125V 3A
2. Insulation Resistance: 1,000M min
3. Dielectric strength: 1,500V RMS
4. Operating Life: 10,000 cycles

ITEM	PAPT NAME	TER,NO	QTY	MATERIAL	FINISHING	REMARK
⑤	Terminal	—	3	Copper Alloy	silver plated	—
④	Contact	—	1	Copper Alloy	silver plated	—
③	Housing	—	1	Stainless Steel	—	—
②	Slide Handle	—	1	Nylon	—	—
①	Case	—	1	Diallyl Phthalate (DAP)	—	—

广东星坤科技股份有限公司

ΔX		日期
ΔX		日期
ΔX		日期
MARK		

文件工程章

REVISIONS	DESCRIPTION	DATE	REVISED	APPROVED	UNSPECIFIED TOLERANCES

ANGLAR ±5°  
 L ≤ 4 ±0.2  
 4 < L ≤ 16 ±0.3  
 16 < L ≤ 63 ±0.4  
 L > 63 ±0.5

**XKIB**

XKB INDUSTRIAL PRECISION CO., LIMITED

DSND	SCALE: N/A	MODEL TYPE: SLIDE SWITCH
DWN	VIEW:	PART NO.: SS-12D16XXX
CHKD	UNIT: mm/in	DWG NO.:
APPD	SIZE: A4	
	WEIGHT	SHEET
		1/1
	REVISIC	A0