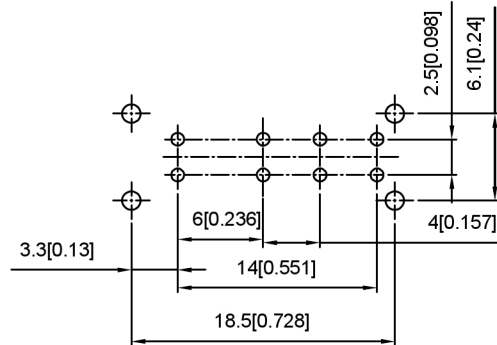
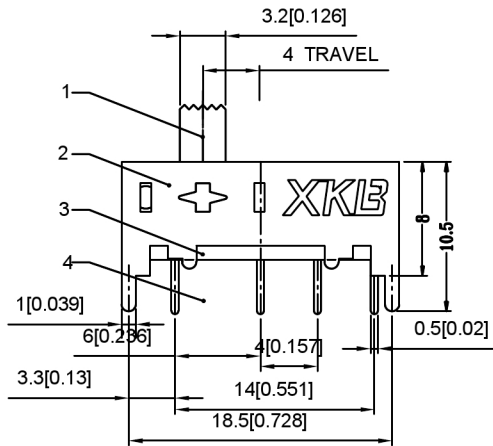


SCHEMATIC



PCB LAYOUT
BOTTOM VIEW

SS23H37- X

L(MM)
2 ~ 10

| | | | | |
|------|-----------|-----|----------------|-----------|
| 4 | Terminal | 8 | Brass(0.30t) | ag Plated |
| 3 | Base | 1 | Phenolic Resin | |
| 2 | Cover | 1 | SUS | Natural |
| 1 | Keystake | 1 | Pa66 | Black |
| ITEM | PAPT NAME | QTY | MATERIAL | FINISHING |

| | |
|---------------------|-------------|
| RATING | 0.3A 50V DC |
| CIRCUIT | 2P4T |
| CONTACT RESISITANCE | 100MΩ MAX |
| TRAVEL | 4MM |
| OPERATING FORCE | 250±100gf |
| OPERATING LIFE | 10000 |

广东星坤科技股份有限公司
日期
文件工程章

| | | | | | | | |
|------|--|--|--|--|--|-------------|------|
| ΔX | | | | | | ANGLAR | ±5° |
| ΔX | | | | | | L ≤ 4 | ±0.2 |
| ΔX | | | | | | 4 < L ≤ 16 | ±0.3 |
| MARK | | | | | | 16 < L ≤ 63 | ±0.4 |
| | | | | | | L > 63 | ±0.5 |

XKLB

| | | | | | |
|-----------|---------|----------|--|--|------------------------|
| REVISIONS | | | | | UNSPECIFIED TOLERANCES |
| DATE | REVISED | APPROVED | | | |

| | | | |
|---------------------------------------|--|-------------|-----------------------------|
| DSND | | SCALE: N/A | MODEL TYPE: SLIDE SWITCH |
| DWN | | VIEW: | PART NO.: SS23H37 |
| CHKD | | UNIT: mm/in | DWG NO.: |
| APPD | | SIZE: A4 | |
| XKB INDUSTRIAL PRECISION CO., LIMITED | | | WEIGHT |
| | | | SHEET |
| | | | REVISIC |
| | | | 1/1 |
| | | | A0 |