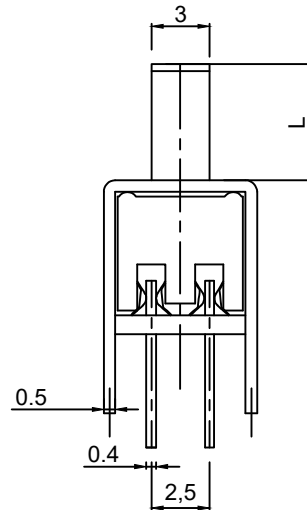
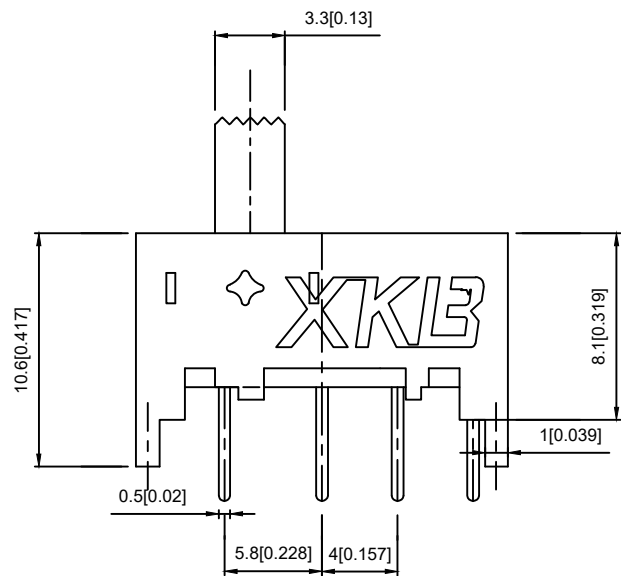


SS23H38- X

L(MM)
2~10



RATING	0.3A 50V DC
CIRCUIT	1P2T
CONTACT RESISITANCE	100MΩ MAX
TRAVEL	2MM
OPERATING FORCE	250±100gf
OPERATING LIFE	10000

					units: mm	DSND		DATE		SCALE: N/A	MODEL TYPE: SLIDE SWITCH
					tolerance:	DWN		DATE		VIEW:	PART NO.: SS23H38
ΔX					X.X ±0.2mm	CHKD		DATE		UNIT: mm/in	DWG NO.: SS23H38X
ΔX					X.XX ±0.1mm	APPD		DATE		SIZE: A4	
MARK	DESCRIPTION	DATE	REVISED	APPROVED	X.XXX ±0.05mm						WEIGHT 1.0g
REVISIONS					UNSPECIFIED TOLERANCES	XKB INDUSTRIAL PRECISION CO., LIMITED					SHEET 1/1
www.xk-dg.cn www.helloxkb.com www.helloxkb.cn										REVISION A0	