

Specifications:

规格:

Voltage rating:350V AC/DC

额定电压: 350V AC/DC

Current rating:4A AC/DC

额定电流: 4A AC/DC

Withstanding voltage:1700V AC/minute

耐受电压: 1700V AC/分钟

Temperature range:-25°C-+85°C

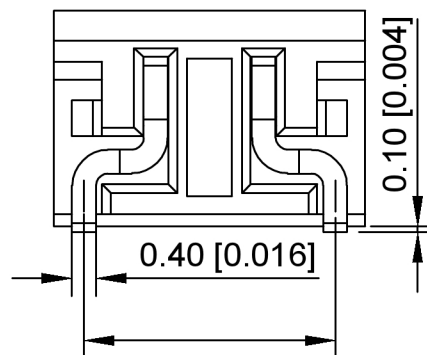
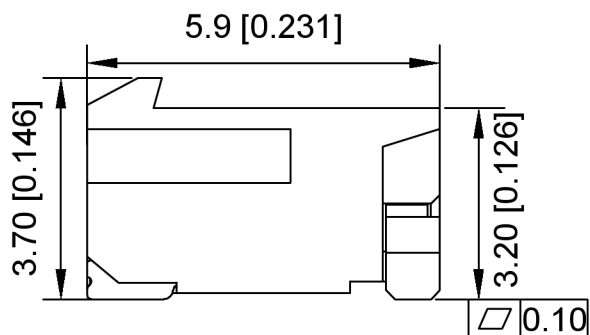
温度范围: -25°C-+85°C

Insulation resistance: 1000MΩ min

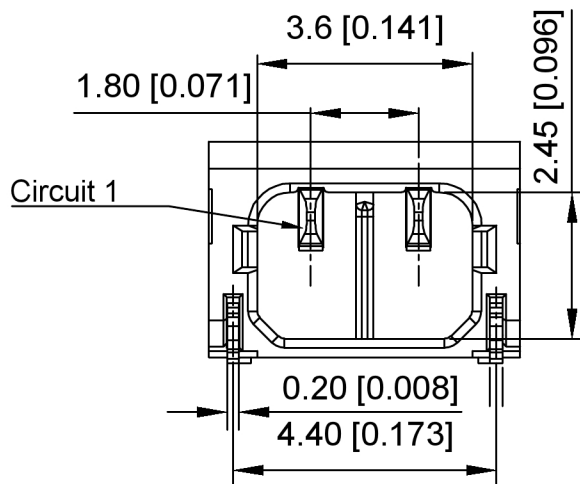
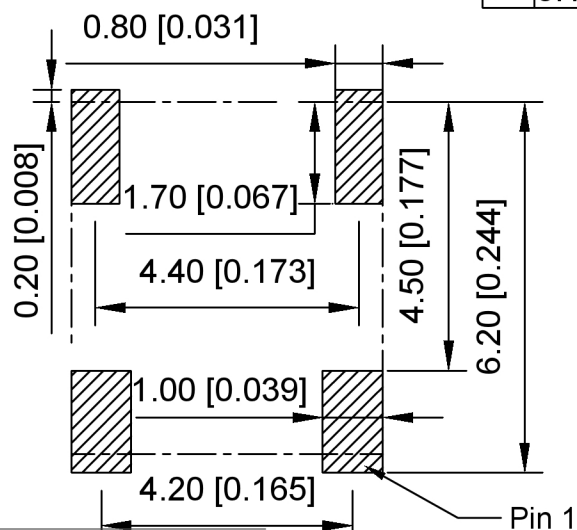
绝缘电阻: 1000MΩ Min

Contact resistance:10mΩ Max

接触电阻: 10mΩ Max



X1801 W R S-02 L - LP SN  
 ① ② ③ ④ ⑤ ⑥ ⑦ ⑧



1. Series No
2. Category:W-Wafer
3. Welding Board Angle:R-Straight 90°
4. Welding Way:S-SMT
5. Row No-Pin No:02Pin
6. Special No:L-With Lock
7. Material:LP-LCP
8. Plating Category:SN-Tin Plating

X1801WRS-02L-LPSN	LCP	Copper alloy	Tin	X1801H	X1801T
PART NO	Material	Material(Pin)	Plating	Suitable XKB Housing	Suitable XKB Terminal

广东星坤科技股份有限公司

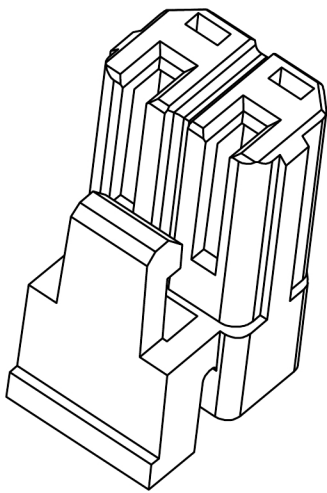
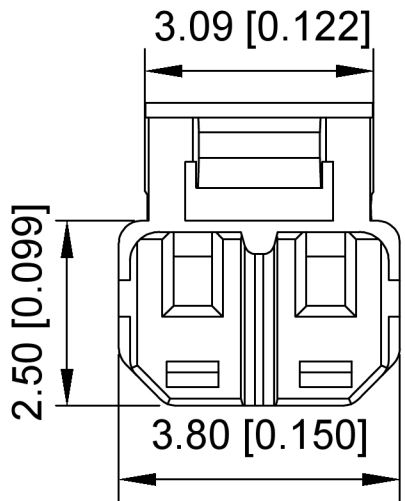
P.C.B Layout

MARK	DESCRIPTION	DATE	REVISED	APPROVED	UNSPECIFIED TOLERANCES
Δx	日期				ANGLAR ±5°
Δx					L ≤ 4 ±0.2
Δx					4 < L ≤ 16 ±0.3
					16 < L ≤ 63 ±0.4
					L > 63 ±0.5

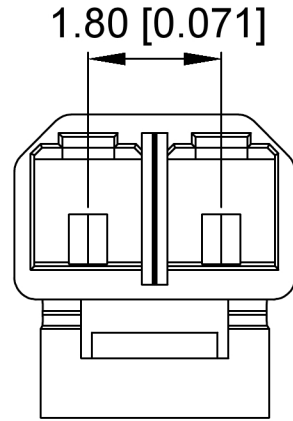
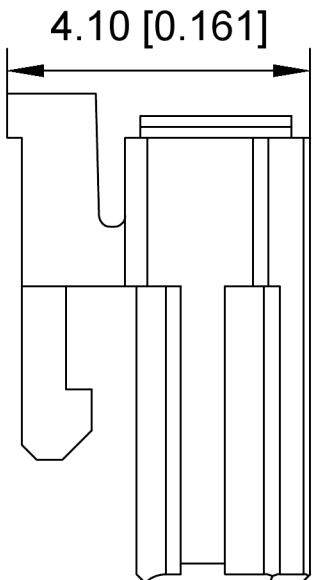
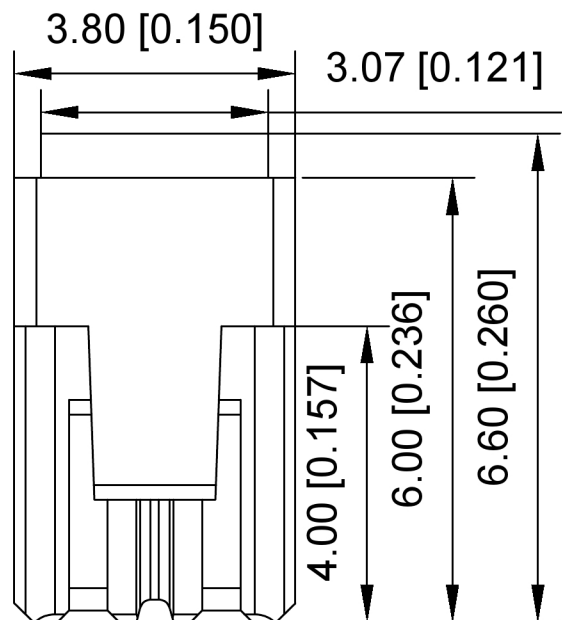


DSND	SCALE: N/A	MODEL TYPE: 1.8mm Crimp Style Connector
DWN	VIEW:	PART NO.: X1801WRS-02L-LPSN
CHKD	UNIT: mm/in	DWG NO.: X-X1801WRS-02L-LPSN
APPD	SIZE: A4	WEIGHT
XKB INDUSTRIAL PRECISION CO., LIMITED		SHEET
		REVISION
		1/1
		A0

文件工程章



**Specifications:**  
 规格:  
 Voltage rating:350V AC/DC  
 额定电压: 350V AC/DC  
 Current rating:4A AC/DC  
 额定电流: 4A AC/DC  
 Withstanding voltage:1700V AC/minute  
 耐受电压: 1700V AC/分钟  
 Temperature range:-25°C-+85°C  
 温度范围: -25°C-+85°C  
 Insulation resistance: 1000MΩ min  
 绝缘电阻: 1000MΩ Min  
 Contact resistance:10mΩ Max  
 接触电阻: 20mΩ Max



X1801 H - 02 L - N0  
 ① ② ③ ④ ⑤

- 1.Series No
- 2.Category:H-HSG
- 3.Row No-Pin No:02Pin
- 4.Special No:L-With Lock
- 5.Material:N0-Nylon66 , UL94V-0(White)

X1801H-02L-N0	Nylon66	X1801W	X1801T
PART NO	Material	Suitable XKB Wafer	Suitable XKB Terminal

广东星坤科技股份有限公司

日期

文件工程章

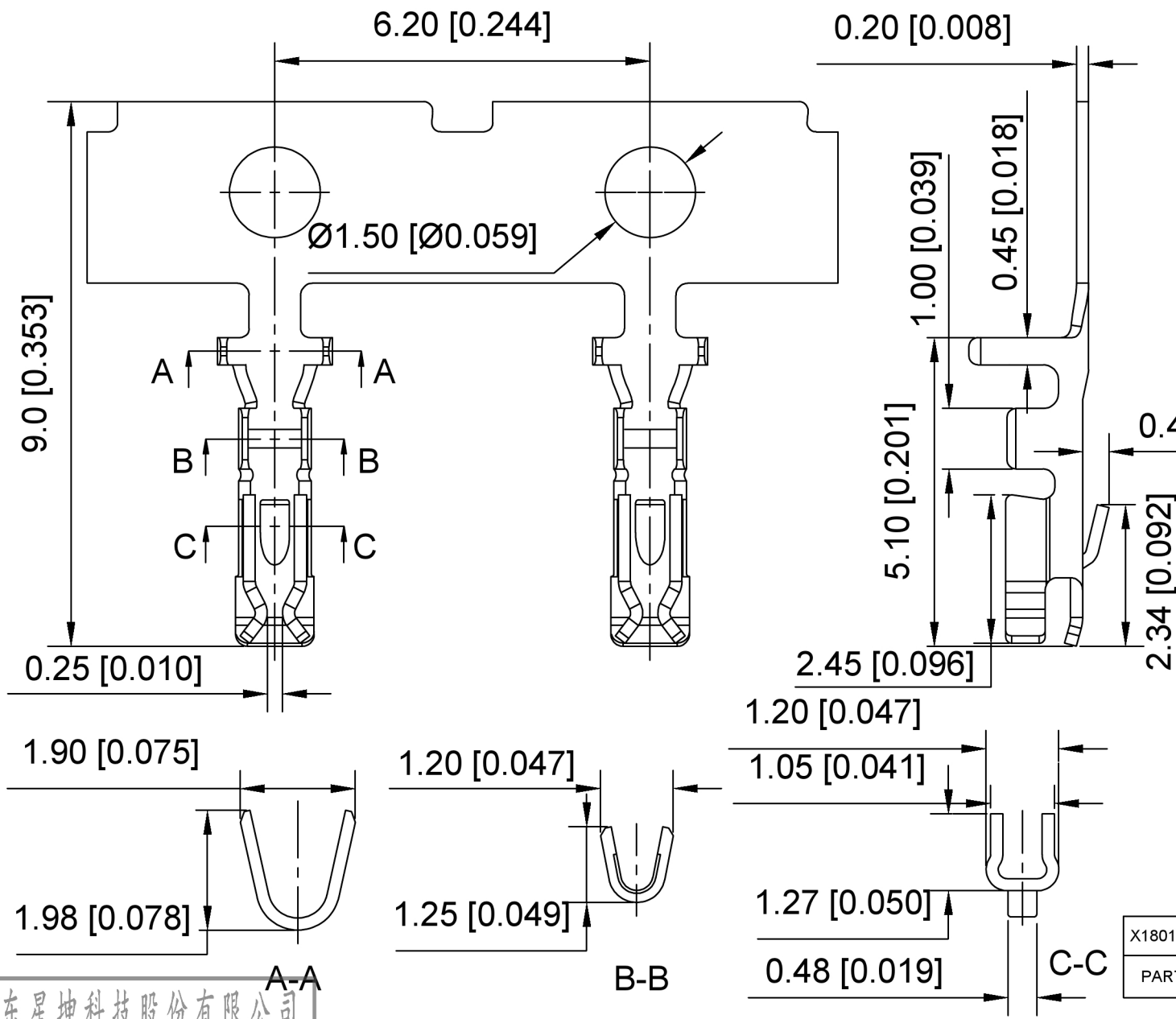
MARK	DESCRIPTION	DATE	REVISED	APPROVED	ANGLAR	±5°
					L ≤ 4	±0.2
					4 < L ≤ 16	±0.3
					16 < L ≤ 63	±0.4
					L > 63	±0.5
					UNSPECIFIED TOLERANCES	



DSND	SCALE: N/A
DWN	VIEW:
CHKD	UNIT: mm/in
APPD	SIZE: A4

MODEL TYPE: 1.8mm Crimp Style Connector		
PART NO.: X1801H-02L-N0		
DWG NO.: X-X1801H-02L-N0		
WEIGHT	SHEET	REVISION
	1/1	A0

XKB INDUSTRIAL PRECISION CO.,LIMITED



Specifications:  
 规格:  
 Voltage rating: 350V AC/DC  
 额定电压: 350V AC/DC  
 Current rating: 4A AC/DC  
 额定电流: 4A AC/DC  
 Withstanding voltage: 1700V AC/minute  
 耐受电压: 1700V AC/分钟  
 Temperature range: -25°C-+85°C  
 温度范围: -25°C-+85°C  
 Insulation resistance: 1000M $\Omega$  min  
 绝缘电阻: 1000M $\Omega$  Min  
 Contact resistance: 30m $\Omega$  Max  
 接触电阻: 30m $\Omega$  Max

X1801 T - P SN  
 ① ② ③ ④

1. Series No
2. Category: T-Terminal
3. Material: P-Phosphor Bronze
4. Plating Category:  
 V01-GoldFlash(0.8u")Over Nickel  
 SN-Tin Plating: 80u"~120u"Over Nickel

X1801T-PSN	Phosphor Bronze	Plating Tin / Gold Flash	AWG#24~30 O.D.1.5mm	X1801H	X1801W
PART NO	Material	Plating	Wire Range	Suitable XKB Housing	Suitable XKB Wafer

广东星坤科技股份有限公司

MARK	DESCRIPTION	DATE	REVISED	APPROVED	UNSPECIFIED TOLERANCES
文件工程章					



DSND	SCALE: N/A	MODEL TYPE: 1.8mm Crimp Style Connector
DWN	VIEW:	PART NO.: X1801T-PSN
CHKD	UNIT: mm/in	DWG NO.: X-X1801T-PSN
APPD	SIZE: A4	WEIGHT SHEET REVISION
		1/1 A0

XKB INDUSTRIAL PRECISION CO., LIMITED