

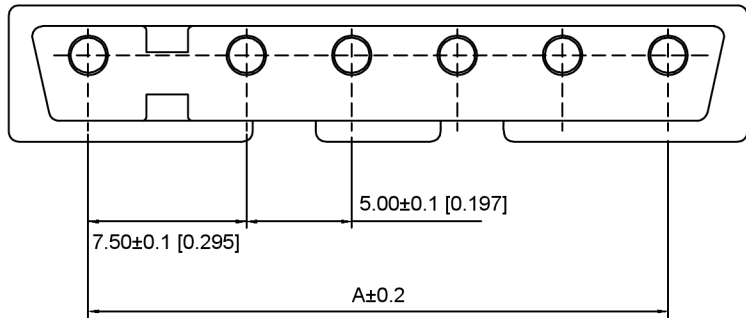
■ Specifications.

- Voltage rating: 250V AC/DC
- Current rating: 7A AC/DC
- Withstanding voltage: 1500V AC/minute
- Temperature range: -25°C ~ +85°C
- Insulation resistance: 1000mΩ Min
- Contact resistance: 20mΩ Max
- Material: Nylon66 UL94V-0

X8475 H -XX- N0-XX

① ② ③ ④ ⑤

- ① Series No.
- ② Category : H-HSG
- ③ Row No. Pin No. XX-02-08
- ④ Material: N0-Nylon66 94V-0
- ⑤ Colour: R-Red; GY-Beige grey



| Poles | Dimensions (mm) |       |
|-------|-----------------|-------|
|       | A               | B     |
| 2     | 7.50            | 15.20 |
| 3     | 12.50           | 20.20 |
| 4     | 17.50           | 25.20 |
| 5     | 22.50           | 30.20 |
| 6     | 27.50           | 35.20 |
| 7     | 32.50           | 40.20 |
| 8     | 37.50           | 45.20 |

|                |                  |                       |                    |
|----------------|------------------|-----------------------|--------------------|
| X8475H-XX-NOR  | Nylon66 UL 94V-0 | X8475T                | X8475W             |
| X8475H-XX-NOGY | Nylon66 UL 94V-0 |                       |                    |
| PART NO        | Material         | Suitable XKB Terminal | Suitable XKB Wafer |

广东星坤科技股份有限公司

生效

日期

文件工程章

DESCRIPTION

REVISIONS

DATE

REVISED

APPROVED

UNSPECIFIED TOLERANCES

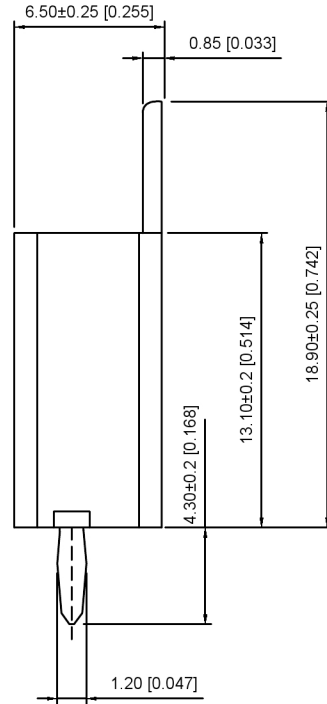
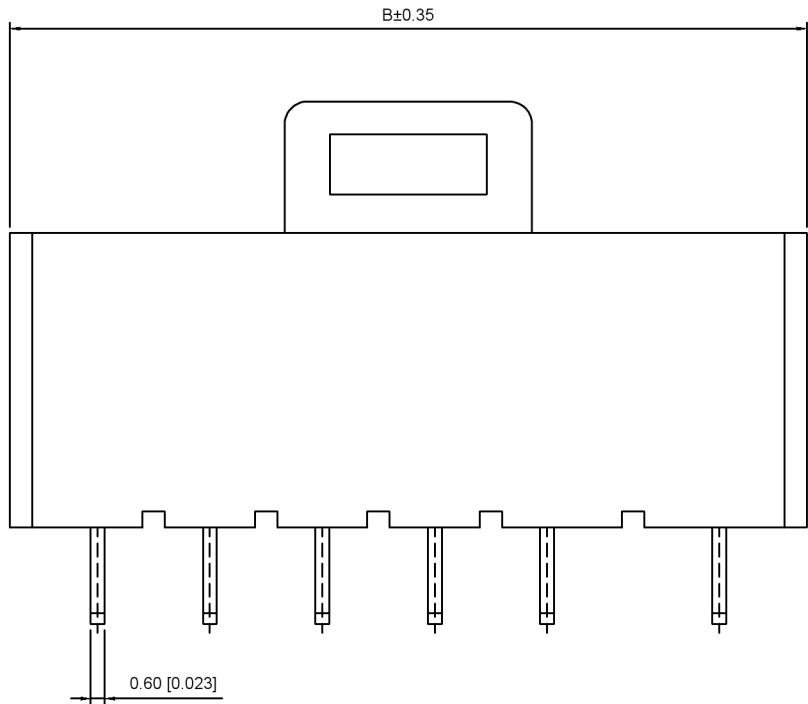
www.helloxkb.com www.helloxkb.cn www.xk-dg.cn

|             |      |
|-------------|------|
| ANGLAR      | ±5°  |
| L ≤ 4       | ±0.2 |
| 4 < L ≤ 16  | ±0.3 |
| 16 < L ≤ 63 | ±0.4 |
| L > 63      | ±0.5 |

XKKB

|      |  |             |  |
|------|--|-------------|--|
| DSND |  | SCALE: N/A  | MODEL TYPE:<br>7.50mm Crimp Style Connectors |
| DWN  |  | VIEW:       | PART NO.:<br>X8475H-XX-N0XX                  |
| CHKD |  | UNIT: mm/in | DWG NO.:<br>X-X8475H-XX-N0XX                 |
| APPD |  | SIZE: A4    | WEIGHT SHEET REVISION<br>1/1 A0              |

XKB INDUSTRIAL PRECISION CO., LIMITED

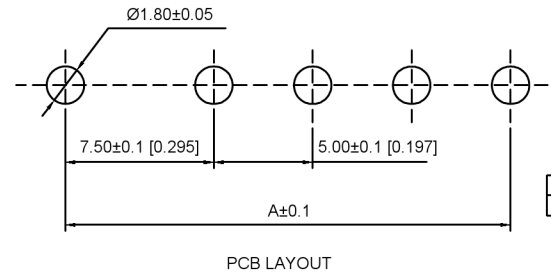
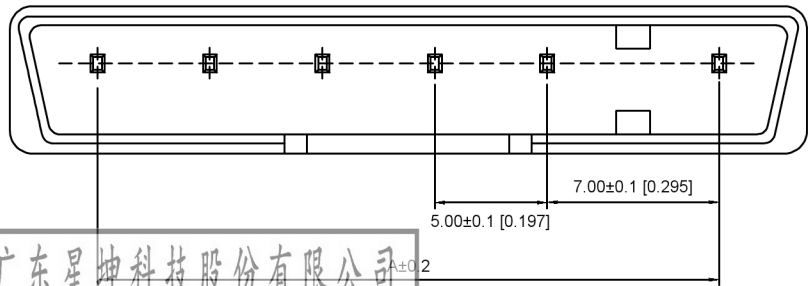


■ Specifications.

- Voltage rating: 250V AC/DC
- Current rating: 7A AC/DC
- Withstanding voltage: 1500V AC/minute
- Temperature range: -25°C ~ +85°C
- Insulation resistance: 1000mΩ Min
- Contact resistance: 20mΩ Max
- Material: Nylon66 UL94V-0

X8475 W V -XX- N0 SN  
① ② ③ ④ ⑤ ⑥

- ① Series No.
- ② Category : W-WAFER
- ③ Wedding Board Angle : V-Straight 180°
- ④ Row No.Pin No.XX-02-08
- ⑤ Material:N0-Nylon UL94V-0
- ⑥ Planting Category:SN-Bright Tin plating



| Poles | Dimensions(mm) |       |
|-------|----------------|-------|
|       | A              | B     |
| 2     | 7.50           | 15.20 |
| 3     | 12.50          | 20.20 |
| 4     | 17.50          | 25.20 |
| 5     | 22.50          | 30.20 |
| 6     | 27.50          | 35.20 |
| 7     | 32.50          | 40.20 |
| 8     | 37.50          | 45.20 |

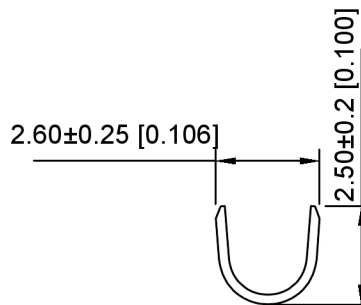
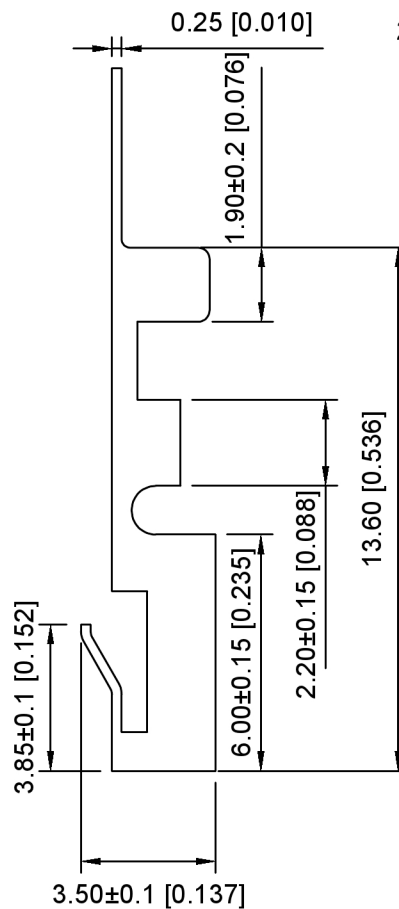
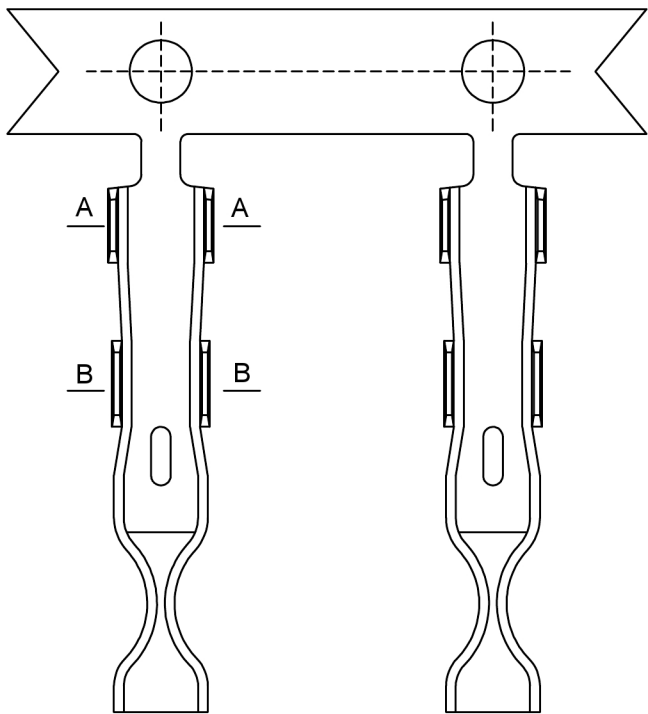
|                 |                  |               |            |                      |
|-----------------|------------------|---------------|------------|----------------------|
| X8475WV-XX-N0SN | Nylon66 UL 94V-0 | Brass         | Tin-Plated | X8475H               |
| PART NO         | Material         | Material(Pin) | Finsh(Pin) | Suitable XKB Housing |

广东星坤科技股份有限公司  
生教 日期  
文件工程章

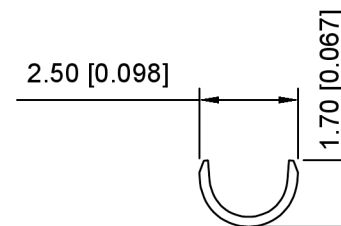
| REVISIONS | DATE | REVISED | APPROVED | DESCRIPTION |
|-----------|------|---------|----------|-------------|
|           |      |         |          |             |
|           |      |         |          |             |
|           |      |         |          |             |

|   |             |  |
|---|-------------|--|
| DSND  | SCALE: N/A  | MODEL TYPE:<br>7.50mm Crimp Style Connectors |
| DWN   | VIEW:       | PART NO.:<br>X8475WV-XX-N0SN                 |
| CHKD  | UNIT: mm/in | DWG NO.:<br>X-X8475WV-XX-N0SN                |
| APPD  | SIZE: A4    | WEIGHT                                       |
| XKB INDUSTRIAL PRECISION CO., LIMITED         |             | SHEET  |
| UNSPECIFIED TOLERANCES                        |             | REVISION                                     |
| www.helloxkb.com www.helloxkb.cn www.xk-dg.cn |             | 1/1  |
|   |             | A0   |

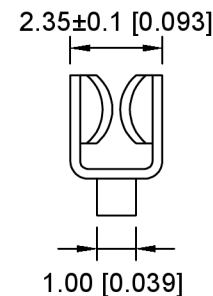




SEC:A-A



SEC:A-A



■ Specifications.

- Voltage rating: 250V AC/DC
- Current rating: 7A AC/DC
- Withstanding voltage: 1500V AC/minute
- Temperature range: -25°C ~ +85°C
- Insulation resistance: 1000mΩ Min
- Contact resistance: 20mΩ Max
- Material: Phosphoric bronze Tin-plated
- Applicable Wire Sizes: AWG#18~22

X8475 T -P SN  
① ② ③ ④

- ① Series No.
- ② Category : T-Trrminal
- ③ Material: P-Phosphoric bronze
- ④ Plating style: SN-Bright Tin plating

|            |                   |            |            |                      |
|------------|-------------------|------------|------------|----------------------|
| X8475T-PSN | Phosphoric bronze | AWG#18-22  | TIN Plated | X8475H               |
| PART NO    | Material          | Wire Range | Finish     | Suitable XKB Housing |

广东星坤科技股份有限公司

|             |    |
|-------------|----|
| 生           | 日期 |
| 救           |    |
| 文件工程章       |    |
| DESCRIPTION |    |

| REVISIONS | DATE | REVISED | APPROVED | UNSPECIFIED TOLERANCES |
|-----------|------|---------|----------|------------------------|
|           |      |         |          |                        |
|           |      |         |          |                        |
|           |      |         |          |                        |
|           |      |         |          |                        |

**XKIB**

|      |  |             |                               |
|------|--|-------------|-------------------------------|
| DSND |  | SCALE: N/A  | MODEL TYPE:                   |
| DWN  |  | VIEW:       | 7.50mm Crimp Style Connectors |
| CHKD |  | UNIT: mm/in | PART NO.:                     |
| APPD |  | SIZE: A4    | X8475T-PSN                    |
|      |  |             | DWG NO.:                      |
|      |  |             | X-X8475T-PSN                  |
|      |  | WEIGHT      | SHEET                         |
|      |  |             | REVISION                      |
|      |  | 1/1         | A0                            |

KXB INDUSTRIAL PRECISION CO., LIMITED