

# Rocker Switch



## Single Pole

TR Series

### Features

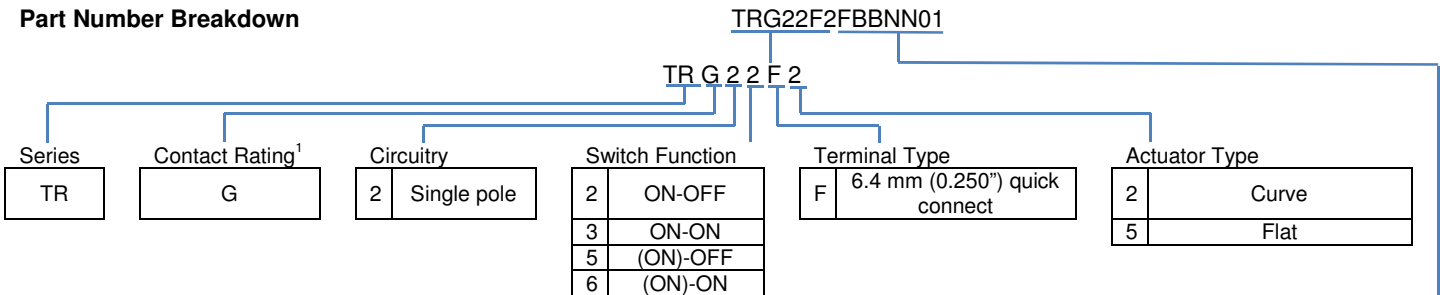
- Lighted & non-lighted versions available
- Maintained and momentary action
- 16 A switching in 1 mm wide packaging
- RoHS compliant
- Minimum 10,000 operations mechanical life

### Standard Parts<sup>1</sup>

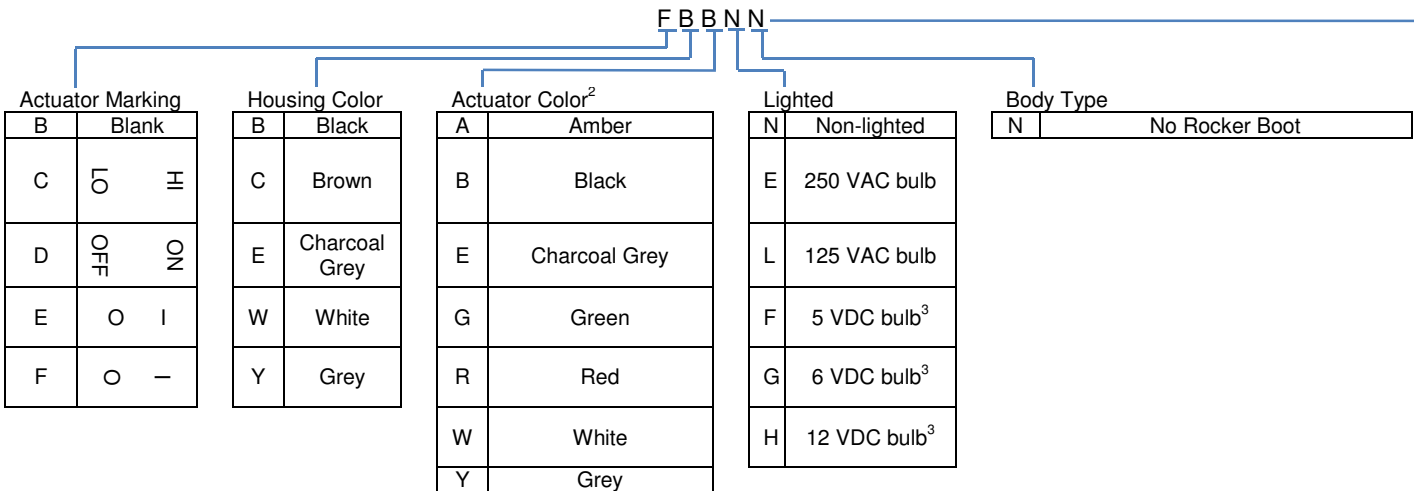
North America and Europe			Europe Only	
TRG22F2BBRLN	TRG22F2FBBNN	TRG22F2BBGEN	TRG22F2BBGLN	TRG22F2BBREN

<sup>1</sup>The part number configuration matrix below provides details to the part numbers above. For configurable part numbers that are not listed above, contact the factory or your distributor.

### Part Number Breakdown



<sup>1</sup>See Electrical Specifications section



<sup>2</sup>Charcoal Grey, White, Grey not available for illuminated actuator

<sup>3</sup>Switches have no agency DC ratings



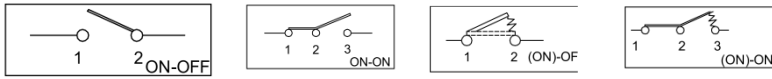
## Electrical Specifications

Inrush Rating – 2 Position				48 A
Inrush Rating – 3 Position				24 A
Dielectric Strength				1000 VAC for 1 minute
Insulation Resistance				100 MΩ min at 500 VDC
Initial Contact Resistance				0.020 Ω max
Switch Function		<b>EN61058-1 Rating</b>	<b>UL General Purpose Rating</b>	<b>UL HP Rating</b>
All		16 (4) A 250 VAC ~T85/55	16 A 125 VAC / 16 A 250 VAC	¼ HP 125 VAC / ¾ HP 250 VAC
Electrical Life at Rated Load Minimum Operations		<b>VDE</b>	<b>UL</b>	
		10,000	6,000	
UL File No: E23301				

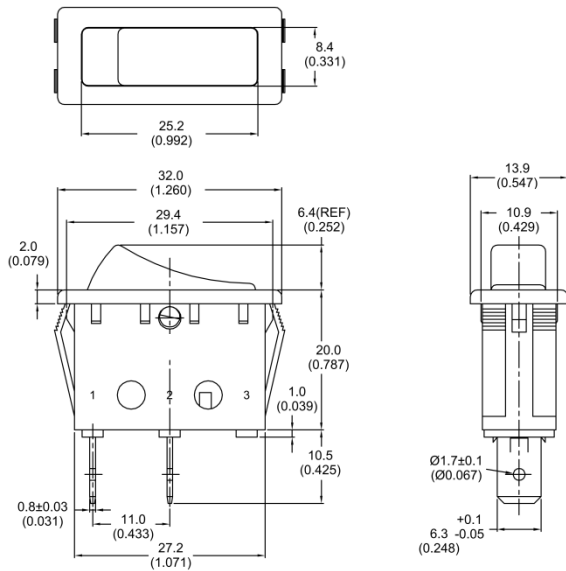
## Material and Environmental Specifications

Actuator, non-lighted				Nylon 66 94V-2
Actuator, lighted				Polycarbonate
Base				Nylon 66 94V-2
Spring				Steel Wire
Contacts				Silver Alloy
Movable Arm				Silver-Plated Copper Alloy
Terminals				Silver-Plated Copper Alloy
Operating Temperature Range				-20 °C to +85 °C (-4 °F to +185 °F)

## Circuitry and Switch Functions



## Dimensions mm (inches)



NOTE: TOLERANCES UNLESS OTHERWISE SPECIFIED: ± 0.3 (0.012)

Recommended Panel Cut-Out Dimensions		
Panel thickness	X Dimension	Y Dimension
0.75 to 1.25 (0.030 to 0.049)	30.23 (1.19)	11.00 (0.433)
1.25 to 2.00 (0.049 to 0.079)	30.48 (1.20)	11.00 (0.433)
2.00 to 3.00 (0.079 to 0.118)	30.73 (1.21)	11.00 (0.433)

