

TMUX721x 44V, Low-RON, 1:1 (SPST), 4-Channel Precision Switches with Latch-Up Immunity and 1.8-V Logic

1 Features

- [Latch-up immune](#)
- Dual supply range: $\pm 4.5\text{V}$ to $\pm 22\text{V}$
- Single supply range: 4.5V to 44V
- Low on-resistance: 2Ω
- High current support: 220mA (maximum) (TSSOP)
- -40°C to $+125^\circ\text{C}$ operating temperature
- [Integrated pull-down resistor on logic pins](#)
- [1.8V logic compatible](#)
- [Fail-safe logic](#)
- [Rail-to-rail operation](#)
- [Bidirectional operation](#)

2 Applications

- [EV charging station power module](#)
- [Advanced driver assistance systems \(ADAS\)](#)
- Automotive gateway
- [Analog and digital multiplexing or demultiplexing](#)
- [Automotive head unit](#)
- [Telematics control unit](#)
- [Emergency call \(eCall\)](#)
- [Infotainment](#)
- [Body control modules \(BCM\)](#)
- [Body electronics and lighting](#)
- [Battery management systems \(BMS\)](#)
- [HVAC controller module](#)
- [ADAS domain controller](#)

3 Description

The TMUX7212 is a complementary metal-oxide semiconductor (CMOS) switch with four independently selectable 1:1, single-pole, single-throw (SPST) switch channels. This device works with a single supply (4.5V to 44V), dual supplies ($\pm 4.5\text{V}$ to $\pm 22\text{V}$), or asymmetric supplies (such as $V_{DD} = 12\text{V}$, $V_{SS} = -5\text{V}$). The TMUX721x supports bidirectional analog and digital signals on the source (Sx) and drain (Dx) pins ranging from V_{SS} to V_{DD} .

The switches of the TMUX721x are controlled with appropriate logic control inputs on the SELx pins. The TMUX721x is part of the precision switches and multiplexers family of devices and has very low on and off leakage currents allowing them to be used in high precision measurement applications.

The TMUX721x provides latch-up immunity, preventing undesirable high current events between parasitic structures within the device typically caused by overvoltage events. A latch-up condition typically continues until the power supply rails are turned off and can lead to device failure. The latch-up immunity feature allows the TMUX721x to be used in harsh environments.

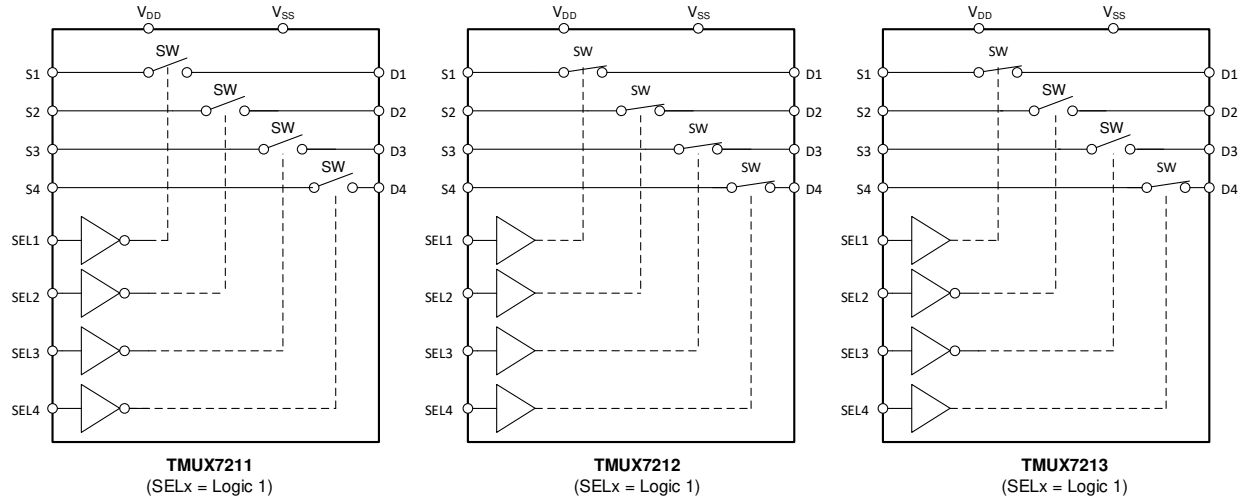
Table 3-1. Device Information

| PART NUMBER ⁽¹⁾ | ACTIVE LOGIC | PACKAGE ⁽²⁾ |
|----------------------------|------------------------|------------------------|
| TMUX7211 | Logic Low | PW (TSSOP, 16) |
| TMUX7212 | Logic High | RUM (WQFN, 16) |
| TMUX7213 | Logic Low + Logic High | |

(1) See [Device Comparison](#).

(2) For more information, see [Section 12](#).





TMUX721x Functional Block Diagram

Table of Contents

| | | | |
|---|----|--|----|
| 1 Features | 1 | 7.7 Charge Injection..... | 23 |
| 2 Applications | 1 | 7.8 Off Isolation..... | 23 |
| 3 Description | 1 | 7.9 Channel-to-Channel Crosstalk..... | 24 |
| 4 Device Comparison Table | 4 | 7.10 Bandwidth..... | 24 |
| 5 Pin Configuration and Functions | 4 | 7.11 THD + Noise..... | 25 |
| 6 Specifications | 5 | 7.12 Power Supply Rejection Ratio (PSRR)..... | 25 |
| 6.1 Absolute Maximum Ratings..... | 5 | 8 Detailed Description | 26 |
| 6.2 ESD Ratings..... | 5 | 8.1 Overview..... | 26 |
| 6.3 Thermal Information..... | 6 | 8.2 Functional Block Diagram..... | 26 |
| 6.4 Recommended Operating Conditions..... | 6 | 8.3 Feature Description..... | 26 |
| 6.5 Source or Drain Continuous Current..... | 6 | 8.4 Device Functional Modes..... | 28 |
| 6.6 ±15 V Dual Supply: Electrical Characteristics | 7 | 8.5 Truth Tables..... | 28 |
| 6.7 ±15 V Dual Supply: Switching Characteristics | 8 | 9 Application and Implementation | 29 |
| 6.8 ±20 V Dual Supply: Electrical Characteristics..... | 9 | 9.1 Application Information..... | 29 |
| 6.9 ±20 V Dual Supply: Switching Characteristics..... | 10 | 9.2 Typical Application | 29 |
| 6.10 44 V Single Supply: Electrical Characteristics | 11 | 9.3 Power Supply Recommendations..... | 30 |
| 6.11 44 V Single Supply: Switching Characteristics | 12 | 9.4 Layout..... | 31 |
| 6.12 12 V Single Supply: Electrical Characteristics | 13 | 10 Device and Documentation Support | 33 |
| 6.13 12 V Single Supply: Switching Characteristics | 14 | 10.1 Documentation Support..... | 33 |
| 6.14 Typical Characteristics..... | 15 | 10.2 Receiving Notification of Documentation Updates.. | 33 |
| 7 Parameter Measurement Information | 20 | 10.3 Support Resources..... | 33 |
| 7.1 On-Resistance..... | 20 | 10.4 Trademarks..... | 33 |
| 7.2 Off-Leakage Current..... | 20 | 10.5 Electrostatic Discharge Caution..... | 33 |
| 7.3 On-Leakage Current..... | 21 | 10.6 Glossary..... | 33 |
| 7.4 t_{ON} and t_{OFF} Time..... | 21 | 11 Revision History | 34 |
| 7.5 $t_{ON(VDD)}$ Time..... | 22 | 12 Mechanical, Packaging, and Orderable Information | 34 |
| 7.6 Propagation Delay..... | 22 | | |

4 Device Comparison Table

| PRODUCT | DESCRIPTION |
|----------|---|
| TMUX7211 | Low-Leakage-Current, Precision, 4-Channel, 1:1 (SPST) Switches (Logic Low) |
| TMUX7212 | Low-Leakage-Current, Precision, 4-Channel, 1:1 (SPST) Switches (Logic High) |
| TMUX7213 | Low-Leakage-Current, Precision, 4-Channel, 1:1 (SPST) Switches (Logic Low + Logic High) |

5 Pin Configuration and Functions

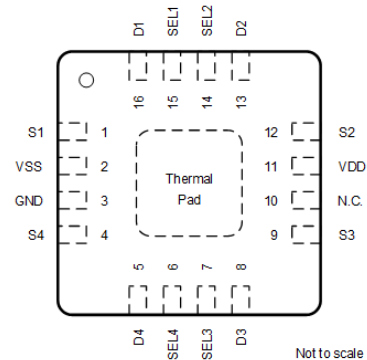
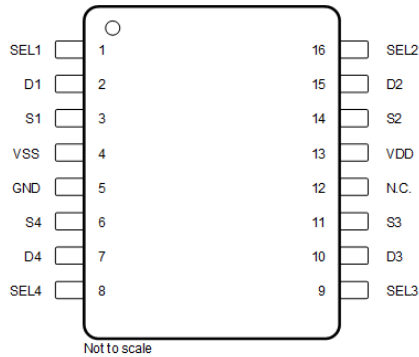


Figure 5-1. PW Package, 16-Pin TSSOP (Top View) Figure 5-2. RUM Package, 16-Pin WQFN (Top View)

Table 5-1. Pin Functions

| NAME | PIN | | TYPE ⁽¹⁾ | DESCRIPTION ⁽²⁾ |
|-------------|-------|------|---------------------|---|
| | TSSOP | WQFN | | |
| D1 | 2 | 16 | I/O | Drain pin 1. Can be an input or output. |
| D2 | 15 | 13 | I/O | Drain pin 2. Can be an input or output. |
| D3 | 10 | 8 | I/O | Drain pin 3. Can be an input or output. |
| D4 | 7 | 5 | I/O | Drain pin 4. Can be an input or output. |
| GND | 5 | 3 | P | Ground (0 V) reference |
| N.C. | 12 | 10 | — | No internal connection. Can be shorted to GND or left floating. |
| S1 | 3 | 1 | I/O | Source pin 1. Can be an input or output. |
| S2 | 14 | 12 | I/O | Source pin 2. Can be an input or output. |
| S3 | 11 | 9 | I/O | Source pin 3. Can be an input or output. |
| S4 | 6 | 4 | I/O | Source pin 4. Can be an input or output. |
| SEL1 | 1 | 15 | I | Logic control input 1, has internal 4 M Ω pull-down resistor. Controls channel 1 state as shown in Section 8.5 . |
| SEL2 | 16 | 14 | I | Logic control input 2, has internal 4 M Ω pull-down resistor. Controls channel 2 state as shown in Section 8.5 . |
| SEL3 | 9 | 7 | I | Logic control input 3, has internal 4 M Ω pull-down resistor. Controls channel 3 state as shown in Section 8.5 . |
| SEL4 | 8 | 6 | I | Logic control input 4, has internal 4 M Ω pull-down resistor. Controls channel 4 state as shown in Section 8.5 . |
| VDD | 13 | 11 | P | Positive power supply. This pin is the most positive power-supply potential. For reliable operation, connect a decoupling capacitor ranging from 0.1 μ F to 10 μ F between V _{DD} and GND. |
| VSS | 4 | 2 | P | Negative power supply. This pin is the most negative power-supply potential. In single-supply applications, this pin can be connected to ground. For reliable operation, connect a decoupling capacitor ranging from 0.1 μ F to 10 μ F between V _{SS} and GND. |
| Thermal Pad | | | — | The thermal pad is not connected internally. No requirement to solder this pad, if connected it is recommended that the pad be left floating or tied to GND |

(1) I = input, O = output, I/O = input and output, P = power.

(2) Refer to [Section 8.4](#) for what to do with unused pins.

6 Specifications

6.1 Absolute Maximum Ratings

over operating free-air temperature range (unless otherwise noted)^{(1) (2)}

| | | MIN | MAX | UNIT |
|-----------------------|--|--------------|--------------------------------|------|
| $V_{DD} - V_{SS}$ | Supply voltage | | 48 | V |
| V_{DD} | | -0.5 | 48 | V |
| V_{SS} | | -48 | 0.5 | V |
| V_{SEL} or V_{EN} | Logic control input pin voltage (SELx) | -0.5 | 48 | V |
| I_{SEL} or I_{EN} | Logic control input pin current (SELx) | -30 | 30 | mA |
| V_S or V_D | Source or drain voltage (Sx, Dx) | $V_{SS}-0.5$ | $V_{DD}+0.5$ | V |
| I_{IK} | Diode clamp current ⁽³⁾ | -30 | 30 | mA |
| I_S or I_D (CONT) | Source or drain continuous current (Sx, Dx) | | $I_{DC} + 10\%$ ⁽⁴⁾ | mA |
| T_A | Ambient temperature | -55 | 150 | °C |
| T_{stg} | Storage temperature | -65 | 150 | °C |
| T_J | Junction temperature | | 150 | °C |
| P_{tot} | Total power dissipation (QFN) ⁽⁵⁾ | | 1650 | mW |
| | Total power dissipation (TSSOP) ⁽⁵⁾ | | 700 | mW |

- (1) Stresses beyond those listed under *Absolute Maximum Rating* may cause permanent damage to the device. These are stress ratings only, which do not imply functional operation of the device at these or any other conditions beyond those indicated under *Recommended Operating Condition*. Exposure to absolute-maximum-rated conditions for extended periods may affect device reliability.
- (2) All voltages are with respect to ground, unless otherwise specified.
- (3) Pins are diode-clamped to the power-supply rails. Over voltage signals must be voltage and current limited to maximum ratings.
- (4) Refer to *Source or Drain Continuous Current* table for I_{DC} specifications.
- (5) For QFN package: P_{tot} derates linearly above $T_A = 70^\circ\text{C}$ by 24.2mW/°C.
For TSSOP package: $P_{tot} = 700$ mW (max) and derates linearly above $T_A = 70^\circ\text{C}$ by 10.7mW/°C.

6.2 ESD Ratings

| | | | VALUE | UNIT |
|--------------------------------|-------------------------|--|-------|------|
| TMUX721x in PW package | | | | |
| $V_{(ESD)}$ | Electrostatic discharge | Human body model (HBM), per ANSI/ESDA/ JEDEC JS-001, all pins ⁽¹⁾ | ±2000 | V |
| | | Charged device model (CDM), per JEDEC specification JESD22-C101, all pins ⁽²⁾ | ±500 | |
| TMUX721x in RUM package | | | | |
| $V_{(ESD)}$ | Electrostatic discharge | Human body model (HBM), per ANSI/ESDA/ JEDEC JS-001, all pins ⁽¹⁾ | ±2000 | V |
| | | Charged device model (CDM), per JEDEC specification JESD22-C101, all pins ⁽²⁾ | ±500 | |

- (1) JEDEC document JEP155 states that 500-V HBM allows safe manufacturing with a standard ESD control process.
- (2) JEDEC document JEP157 states that 250-V CDM allows safe manufacturing with a standard ESD control process.

6.3 Thermal Information

| THERMAL METRIC ⁽¹⁾ | | TMUX721x | | UNIT |
|-------------------------------|--|------------|------------|------|
| | | PW (TSSOP) | RUM (WQFN) | |
| | | 16 PINS | 16 PINS | |
| R _{θJA} | Junction-to-ambient thermal resistance | 94.5 | 41.5 | °C/W |
| R _{θJC(top)} | Junction-to-case (top) thermal resistance | 25.5 | 25.1 | °C/W |
| R _{θJB} | Junction-to-board thermal resistance | 41.1 | 16.5 | °C/W |
| Ψ _{JT} | Junction-to-top characterization parameter | 1.1 | 0.3 | °C/W |
| Ψ _{JB} | Junction-to-board characterization parameter | 40.4 | 16.4 | °C/W |
| R _{θJC(bot)} | Junction-to-case (bottom) thermal resistance | N/A | 2.9 | °C/W |

(1) For more information about traditional and new thermal metrics, see the [Semiconductor and IC Package Thermal Metrics](#) application report.

6.4 Recommended Operating Conditions

over operating free-air temperature range (unless otherwise noted)

| | | MIN | NOM | MAX | UNIT |
|--|--|-----------------|-----|--------------------------------|------|
| V _{DD} – V _{SS} ⁽¹⁾ | Power supply voltage differential | 4.5 | | 44 | V |
| V _{DD} | Positive power supply voltage | 4.5 | | 44 | V |
| V _S or V _D | Signal path input/output voltage (source or drain pin) (Sx, D) | V _{SS} | | V _{DD} | V |
| V _{SEL} or V _{EN} | Address or enable pin voltage | 0 | | 44 | V |
| I _S or I _{D (CONT)} | Source or drain continuous current (Sx, D) | | | I _{DC} ⁽²⁾ | mA |
| T _A | Ambient temperature | –40 | | 125 | °C |

(1) V_{DD} and V_{SS} can be any value as long as 4.5 V ≤ (V_{DD} – V_{SS}) ≤ 44 V, and the minimum V_{DD} is met.

(2) Refer to *Source or Drain Continuous Current* table for I_{DC} specifications.

6.5 Source or Drain Continuous Current

at supply voltage of V_{DD} ± 10%, V_{SS} ± 10 % (unless otherwise noted)

| CONTINUOUS CURRENT PER CHANNEL (I _{DC}) ⁽²⁾ | | T _A = 25°C | T _A = 85°C | T _A = 125°C | UNIT |
|--|------------------------------------|-----------------------|-----------------------|------------------------|------|
| PACKAGE | TEST CONDITIONS | | | | |
| PW (TSSOP) | +44 V Dual Supply ⁽¹⁾ | 220 | 160 | 100 | mA |
| | ±15 V Dual Supply | 220 | 160 | 100 | mA |
| | +12 V Single Supply | 190 | 130 | 90 | mA |
| | ±5 V Dual Supply | 170 | 120 | 80 | mA |
| | +5 V Single Supply | 130 | 90 | 60 | mA |
| RUM (WQFN) | +44 V Single Supply ⁽¹⁾ | 330 | 220 | 120 | mA |
| | ±15 V Dual Supply | 330 | 220 | 120 | mA |
| | +12 V Single Supply | 260 | 180 | 110 | mA |
| | ±5 V Dual Supply | 240 | 160 | 100 | mA |
| | +5 V Single Supply | 180 | 120 | 80 | mA |

(1) Specified for nominal supply voltage only.

(2) Refer to Total power dissipation (P_{tot}) limits in *Absolute Maximum Ratings* table that must be followed with max continuous current specification.

6.6 ±15 V Dual Supply: Electrical Characteristics

$V_{DD} = +15\text{ V} \pm 10\%$, $V_{SS} = -15\text{ V} \pm 10\%$, $GND = 0\text{ V}$ (unless otherwise noted)

Typical at $V_{DD} = +15\text{ V}$, $V_{SS} = -15\text{ V}$, $T_A = 25^\circ\text{C}$ (unless otherwise noted)

| PARAMETER | | TEST CONDITIONS | T_A | MIN | TYP | MAX | UNIT | |
|-------------------------------------|---|---|-----------------|-------|--------|------|-------------------------|----|
| ANALOG SWITCH | | | | | | | | |
| R_{ON} | On-resistance | $V_S = -10\text{ V to } +10\text{ V}$ $I_D = -10\text{ mA}$ Refer to On-Resistance | 25°C | | 2 | 2.7 | Ω | |
| | | | -40°C to +85°C | | | 3.4 | Ω | |
| | | | -40°C to +125°C | | | 4 | Ω | |
| ΔR_{ON} | On-resistance mismatch between channels | $V_S = -10\text{ V to } +10\text{ V}$ $I_D = -10\text{ mA}$ Refer to On-Resistance | 25°C | | 0.1 | 0.18 | Ω | |
| | | | -40°C to +85°C | | | 0.19 | Ω | |
| | | | -40°C to +125°C | | | 0.21 | Ω | |
| $R_{ON\ FLAT}$ | On-resistance flatness | $V_S = -10\text{ V to } +10\text{ V}$ $I_S = -10\text{ mA}$ Refer to On-Resistance | 25°C | | 0.2 | 0.46 | Ω | |
| | | | -40°C to +85°C | | | 0.65 | Ω | |
| | | | -40°C to +125°C | | | 0.7 | Ω | |
| $R_{ON\ DRIFT}$ | On-resistance drift | $V_S = 0\text{ V}$, $I_S = -10\text{ mA}$ Refer to On-Resistance | -40°C to +125°C | | 0.008 | | $\Omega/^\circ\text{C}$ | |
| $I_{S(OFF)}$ | Source off leakage current ⁽¹⁾ | $V_{DD} = 16.5\text{ V}$, $V_{SS} = -16.5\text{ V}$ Switch state is off $V_S = +10\text{ V} / -10\text{ V}$ $V_D = -10\text{ V} / +10\text{ V}$ Refer to Off-Leakage Current | 25°C | -0.25 | 0.05 | 0.25 | nA | |
| | | | -40°C to +85°C | | -3 | | 3 | nA |
| | | | -40°C to +125°C | | -20 | | 20 | nA |
| $I_{D(OFF)}$ | Drain off leakage current ⁽¹⁾ | $V_{DD} = 16.5\text{ V}$, $V_{SS} = -16.5\text{ V}$ Switch state is off $V_S = +10\text{ V} / -10\text{ V}$ $V_D = -10\text{ V} / +10\text{ V}$ Refer to Off-Leakage Current | 25°C | -0.25 | 0.05 | 0.25 | nA | |
| | | | -40°C to +85°C | | -3 | | 3 | nA |
| | | | -40°C to +125°C | | -20 | | 20 | nA |
| $I_{S(ON)}$ $I_{D(ON)}$ | Channel on leakage current ⁽²⁾ | $V_{DD} = 16.5\text{ V}$, $V_{SS} = -16.5\text{ V}$ Switch state is on $V_S = V_D = \pm 10\text{ V}$ Refer to On-Leakage Current | 25°C | -0.4 | 0.1 | 0.4 | nA | |
| | | | -40°C to +85°C | | -1 | | 1 | nA |
| | | | -40°C to +125°C | | -3 | | 3 | nA |
| LOGIC INPUTS (SEL / EN pins) | | | | | | | | |
| V_{IH} | Logic voltage high | | -40°C to +125°C | 1.3 | | 44 | V | |
| V_{IL} | Logic voltage low | | -40°C to +125°C | 0 | | 0.8 | V | |
| I_{IH} | Input leakage current | | -40°C to +125°C | | 0.4 | 2 | μA | |
| I_{IL} | Input leakage current | | -40°C to +125°C | -0.1 | -0.005 | | μA | |
| C_{IN} | Logic input capacitance | | -40°C to +125°C | | 3.5 | | pF | |
| POWER SUPPLY | | | | | | | | |
| I_{DD} | V_{DD} supply current | $V_{DD} = 16.5\text{ V}$, $V_{SS} = -16.5\text{ V}$ Logic inputs = 0 V, 5 V, or V_{DD} | 25°C | | 35 | 56 | μA | |
| | | | -40°C to +85°C | | | 65 | μA | |
| | | | -40°C to +125°C | | | 80 | μA | |
| I_{SS} | V_{SS} supply current | $V_{DD} = 16.5\text{ V}$, $V_{SS} = -16.5\text{ V}$ Logic inputs = 0 V, 5 V, or V_{DD} | 25°C | | 5 | 20 | μA | |
| | | | -40°C to +85°C | | | 24 | μA | |
| | | | -40°C to +125°C | | | 35 | μA | |

(1) When V_S is positive, V_D is negative, or when V_S is negative, V_D is positive.

(2) When V_S is at a voltage potential, V_D is floating, or when V_D is at a voltage potential, V_S is floating.

6.7 ±15 V Dual Supply: Switching Characteristics

 $V_{DD} = +15\text{ V} \pm 10\%$, $V_{SS} = -15\text{ V} \pm 10\%$, $GND = 0\text{ V}$ (unless otherwise noted)

 Typical at $V_{DD} = +15\text{ V}$, $V_{SS} = -15\text{ V}$, $T_A = 25^\circ\text{C}$ (unless otherwise noted)

| PARAMETER | | TEST CONDITIONS | T_A | MIN | TYP | MAX | UNIT |
|------------------------------|--|---|-----------------|-----|--------|------|------|
| t_{ON} | Turn-on time from control input | $V_S = 10\text{ V}$ $R_L = 300\ \Omega$, $C_L = 35\text{ pF}$ Refer to Turn-on and Turn-off Time | 25°C | | 100 | 175 | ns |
| | | | -40°C to +85°C | | | 205 | ns |
| | | | -40°C to +125°C | | | 225 | ns |
| t_{OFF} | Turn-off time from control input | $V_S = 10\text{ V}$ $R_L = 300\ \Omega$, $C_L = 35\text{ pF}$ Refer to Turn-on and Turn-off Time | 25°C | | 80 | 205 | ns |
| | | | -40°C to +85°C | | | 225 | ns |
| | | | -40°C to +125°C | | | 240 | ns |
| t_{BBM} | Break-before-make time delay (TMUX7213 Only) | $V_S = 10\text{ V}$, $R_L = 300\ \Omega$, $C_L = 35\text{ pF}$ | 25°C | | 27 | | ns |
| | | | -40°C to +85°C | | 5 | | ns |
| | | | -40°C to +125°C | | 5 | | ns |
| $t_{ON(VDD)}$ | Device turn on time (V_{DD} to output) | V_{DD} rise time = 1 μs $R_L = 300\ \Omega$, $C_L = 35\text{ pF}$ Refer to Turn-on (VDD) Time | 25°C | | 0.17 | | ms |
| | | | -40°C to +85°C | | | 0.18 | ms |
| | | | -40°C to +125°C | | | 0.18 | ms |
| t_{PD} | Propagation delay | $R_L = 50\ \Omega$, $C_L = 5\text{ pF}$ Refer to Propagation Delay | 25°C | | 260 | | ps |
| Q_{INJ} | Charge injection | $V_S = 0\text{ V}$, $C_L = 100\text{ pF}$ Refer to Charge Injection | 25°C | | 60 | | pC |
| O_{ISO} | Off-isolation | $R_L = 50\ \Omega$, $C_L = 5\text{ pF}$ $V_S = 0\text{ V}$, $f = 100\text{ kHz}$ Refer to Off Isolation | 25°C | | -70 | | dB |
| O_{ISO} | Off-isolation | $R_L = 50\ \Omega$, $C_L = 5\text{ pF}$ $V_S = 0\text{ V}$, $f = 1\text{ MHz}$ Refer to Off Isolation | 25°C | | -50 | | dB |
| X_{TALK} | Crosstalk | $R_L = 50\ \Omega$, $C_L = 5\text{ pF}$ $V_S = 0\text{ V}$, $f = 100\text{ kHz}$ Refer to Crosstalk | 25°C | | -114 | | dB |
| X_{TALK} | Crosstalk | $R_L = 50\ \Omega$, $C_L = 5\text{ pF}$ $V_S = 0\text{ V}$, $f = 1\text{ MHz}$ Refer to Crosstalk | 25°C | | -93 | | dB |
| BW | -3dB Bandwidth | $R_L = 50\ \Omega$, $C_L = 5\text{ pF}$ $V_S = 0\text{ V}$ Refer to Bandwidth | 25°C | | 56 | | MHz |
| I_L | Insertion loss | $R_L = 50\ \Omega$, $C_L = 5\text{ pF}$ $V_S = 0\text{ V}$, $f = 1\text{ MHz}$ | 25°C | | -0.15 | | dB |
| ACPSRR | AC Power Supply Rejection Ratio | $V_{PP} = 0.62\text{ V}$ on V_{DD} and V_{SS} $R_L = 50\ \Omega$, $C_L = 5\text{ pF}$, $f = 1\text{ MHz}$ Refer to ACPSRR | 25°C | | -68 | | dB |
| THD+N | Total Harmonic Distortion + Noise | $V_{PP} = 15\text{ V}$, $V_{BIAS} = 0\text{ V}$ $R_L = 10\text{ k}\Omega$, $C_L = 5\text{ pF}$, $f = 20\text{ Hz}$ to 20 kHz Refer to THD + Noise | 25°C | | 0.0004 | | % |
| $C_{S(OFF)}$ | Source off capacitance | $V_S = 0\text{ V}$, $f = 1\text{ MHz}$ | 25°C | | 28 | | pF |
| $C_{D(OFF)}$ | Drain off capacitance | $V_S = 0\text{ V}$, $f = 1\text{ MHz}$ | 25°C | | 45 | | pF |
| $C_{S(ON)}$, $C_{D(ON)}$ | On capacitance | $V_S = 0\text{ V}$, $f = 1\text{ MHz}$ | 25°C | | 145 | | pF |

6.8 ±20 V Dual Supply: Electrical Characteristics

$V_{DD} = +20\text{ V} \pm 10\%$, $V_{SS} = -20\text{ V} \pm 10\%$, $GND = 0\text{ V}$ (unless otherwise noted)

Typical at $V_{DD} = +20\text{ V}$, $V_{SS} = -20\text{ V}$, $T_A = 25^\circ\text{C}$ (unless otherwise noted)

| PARAMETER | | TEST CONDITIONS | T_A | MIN | TYP | MAX | UNIT | |
|-------------------------------------|---|---|-----------------|-------|--------|------|-------------------------|---------------|
| ANALOG SWITCH | | | | | | | | |
| R_{ON} | On-resistance | $V_S = -15\text{ V to }+15\text{ V}$ $I_D = -10\text{ mA}$ Refer to On-Resistance | 25°C | 1.7 | 2.5 | | Ω | |
| | | | -40°C to +85°C | | | 3 | Ω | |
| | | | -40°C to +125°C | | | 3.6 | Ω | |
| ΔR_{ON} | On-resistance mismatch between channels | $V_S = -15\text{ V to }+15\text{ V}$ $I_D = -10\text{ mA}$ Refer to On-Resistance | 25°C | 0.1 | 0.18 | | Ω | |
| | | | -40°C to +85°C | | | 0.19 | Ω | |
| | | | -40°C to +125°C | | | 0.21 | Ω | |
| $R_{ON\ FLAT}$ | On-resistance flatness | $V_S = -15\text{ V to }+15\text{ V}$ $I_S = -10\text{ mA}$ Refer to On-Resistance | 25°C | 0.3 | 0.6 | | Ω | |
| | | | -40°C to +85°C | | | 0.8 | Ω | |
| | | | -40°C to +125°C | | | 0.95 | Ω | |
| $R_{ON\ DRIFT}$ | On-resistance drift | $V_S = 0\text{ V}$, $I_S = -10\text{ mA}$ Refer to On-Resistance | -40°C to +125°C | 0.008 | | | $\Omega/^\circ\text{C}$ | |
| $I_{S(OFF)}$ | Source off leakage current ⁽¹⁾ | $V_{DD} = 22\text{ V}$, $V_{SS} = -22\text{ V}$ Switch state is off $V_S = +15\text{ V} / -15\text{ V}$ $V_D = -15\text{ V} / +15\text{ V}$ Refer to Off-Leakage Current | 25°C | -1 | 0.05 | 1 | nA | |
| | | | -40°C to +85°C | | | | 4.5 | nA |
| | | | -40°C to +125°C | | | | 33 | nA |
| $I_{D(OFF)}$ | Drain off leakage current ⁽¹⁾ | $V_{DD} = 22\text{ V}$, $V_{SS} = -22\text{ V}$ Switch state is off $V_S = +15\text{ V} / -15\text{ V}$ $V_D = -15\text{ V} / +15\text{ V}$ Refer to Off-Leakage Current | 25°C | -1 | 0.1 | 1 | nA | |
| | | | -40°C to +85°C | | | | 4.5 | nA |
| | | | -40°C to +125°C | | | | 33 | nA |
| $I_{S(ON)}$ $I_{D(ON)}$ | Channel on leakage current ⁽²⁾ | $V_{DD} = 22\text{ V}$, $V_{SS} = -22\text{ V}$ Switch state is on $V_S = V_D = \pm 15\text{ V}$ Refer to On-Leakage Current | 25°C | -1 | 0.1 | 1 | nA | |
| | | | -40°C to +85°C | | | | 1.5 | nA |
| | | | -40°C to +125°C | | | | 8 | nA |
| LOGIC INPUTS (SEL / EN pins) | | | | | | | | |
| V_{IH} | Logic voltage high | | -40°C to +125°C | 1.3 | | 44 | V | |
| V_{IL} | Logic voltage low | | -40°C to +125°C | 0 | | 0.8 | V | |
| I_{IH} | Input leakage current | | -40°C to +125°C | | 0.4 | 2 | μA | |
| I_{IL} | Input leakage current | | -40°C to +125°C | -0.1 | -0.005 | | μA | |
| C_{IN} | Logic input capacitance | | -40°C to +125°C | | 3.5 | | pF | |
| POWER SUPPLY | | | | | | | | |
| I_{DD} | V_{DD} supply current | $V_{DD} = 22\text{ V}$, $V_{SS} = -22\text{ V}$ Logic inputs = 0 V, 5 V, or V_{DD} | 25°C | 33 | 65 | | μA | |
| | | | -40°C to +85°C | | | | 74 | μA |
| | | | -40°C to +125°C | | | | 90 | μA |
| I_{SS} | V_{SS} supply current | $V_{DD} = 22\text{ V}$, $V_{SS} = -22\text{ V}$ Logic inputs = 0 V, 5 V, or V_{DD} | 25°C | 7 | 26 | | μA | |
| | | | -40°C to +85°C | | | | 30 | μA |
| | | | -40°C to +125°C | | | | 45 | μA |

(1) When V_S is positive, V_D is negative, or when V_S is negative, V_D is positive.

(2) When V_S is at a voltage potential, V_D is floating, or when V_D is at a voltage potential, V_S is floating.

6.9 ±20 V Dual Supply: Switching Characteristics

$V_{DD} = +20\text{ V} \pm 10\%$, $V_{SS} = -20\text{ V} \pm 10\%$, $GND = 0\text{ V}$ (unless otherwise noted)

Typical at $V_{DD} = +20\text{ V}$, $V_{SS} = -20\text{ V}$, $T_A = 25^\circ\text{C}$ (unless otherwise noted)

| PARAMETER | | TEST CONDITIONS | T_A | MIN | TYP | MAX | UNIT |
|------------------------------|--|--|-----------------|-----|--------|------|------|
| t_{ON} | Turn-on time from control input | $V_S = 10\text{ V}$ $R_L = 300\ \Omega$, $C_L = 35\text{ pF}$ Refer to Turn-on and Turn-off Time | 25°C | | 100 | 185 | ns |
| | | | -40°C to +85°C | | | 210 | ns |
| | | | -40°C to +125°C | | | 230 | ns |
| t_{OFF} | Turn-off time from control input | $V_S = 10\text{ V}$ $R_L = 300\ \Omega$, $C_L = 35\text{ pF}$ Refer to Turn-on and Turn-off Time | 25°C | | 90 | 210 | ns |
| | | | -40°C to +85°C | | | 225 | ns |
| | | | -40°C to +125°C | | | 235 | ns |
| t_{BBM} | Break-before-make time delay (TMUX7213 Only) | $V_S = 10\text{ V}$, $R_L = 300\ \Omega$, $C_L = 35\text{ pF}$ | 25°C | | 28 | | ns |
| | | | -40°C to +85°C | | 10 | | ns |
| | | | -40°C to +125°C | | 10 | | ns |
| $t_{ON(VDD)}$ | Device turn on time (V_{DD} to output) | V_{DD} rise time = 1 μs $R_L = 300\ \Omega$, $C_L = 35\text{ pF}$ Refer to Turn-on (VDD) Time | 25°C | | 0.17 | | ms |
| | | | -40°C to +85°C | | | 0.18 | ms |
| | | | -40°C to +125°C | | | 0.18 | ms |
| t_{PD} | Propagation delay | $R_L = 50\ \Omega$, $C_L = 5\text{ pF}$ Refer to Propagation Delay | 25°C | | 260 | | ps |
| Q_{INJ} | Charge injection | $V_S = 0\text{ V}$, $C_L = 100\text{ pF}$ Refer to Charge Injection | 25°C | | 92 | | pC |
| O_{ISO} | Off-isolation | $R_L = 50\ \Omega$, $C_L = 5\text{ pF}$ $V_S = 0\text{ V}$, $f = 100\text{ kHz}$ Refer to Off Isolation | 25°C | | -70 | | dB |
| O_{ISO} | Off-isolation | $R_L = 50\ \Omega$, $C_L = 5\text{ pF}$ $V_S = 0\text{ V}$, $f = 1\text{ MHz}$ Refer to Off Isolation | 25°C | | -50 | | dB |
| X_{TALK} | Crosstalk | $R_L = 50\ \Omega$, $C_L = 5\text{ pF}$ $V_S = 0\text{ V}$, $f = 100\text{ kHz}$ Refer to Crosstalk | 25°C | | -112 | | dB |
| X_{TALK} | Crosstalk | $R_L = 50\ \Omega$, $C_L = 5\text{ pF}$ $V_S = 0\text{ V}$, $f = 1\text{ MHz}$ Refer to Crosstalk | 25°C | | -93 | | dB |
| BW | -3dB Bandwidth | $R_L = 50\ \Omega$, $C_L = 5\text{ pF}$ $V_S = 0\text{ V}$ Refer to Bandwidth | 25°C | | 48 | | MHz |
| I_L | Insertion loss | $R_L = 50\ \Omega$, $C_L = 5\text{ pF}$ $V_S = 0\text{ V}$, $f = 1\text{ MHz}$ | 25°C | | -0.14 | | dB |
| ACPSRR | AC Power Supply Rejection Ratio | $V_{PP} = 0.62\text{ V}$ on V_{DD} and V_{SS} $R_L = 50\ \Omega$, $C_L = 5\text{ pF}$, $f = 1\text{ MHz}$ Refer to ACPSRR | 25°C | | -68 | | dB |
| THD+N | Total Harmonic Distortion + Noise | $V_{PP} = 20\text{ V}$, $V_{BIAS} = 0\text{ V}$ $R_L = 10\text{ k}\Omega$, $C_L = 5\text{ pF}$, $f = 20\text{ Hz}$ to 20 kHz Refer to THD + Noise | 25°C | | 0.0003 | | % |
| $C_{S(OFF)}$ | Source off capacitance | $V_S = 0\text{ V}$, $f = 1\text{ MHz}$ | 25°C | | 28 | | pF |
| $C_{D(OFF)}$ | Drain off capacitance | $V_S = 0\text{ V}$, $f = 1\text{ MHz}$ | 25°C | | 45 | | pF |
| $C_{S(ON)}$, $C_{D(ON)}$ | On capacitance | $V_S = 0\text{ V}$, $f = 1\text{ MHz}$ | 25°C | | 145 | | pF |

6.10 44 V Single Supply: Electrical Characteristics

$V_{DD} = +44\text{ V}$, $V_{SS} = 0\text{ V}$, $GND = 0\text{ V}$ (unless otherwise noted)

Typical at $V_{DD} = +44\text{ V}$, $V_{SS} = 0\text{ V}$, $T_A = 25^\circ\text{C}$ (unless otherwise noted)

| PARAMETER | | TEST CONDITIONS | T_A | MIN | TYP | MAX | UNIT | |
|-------------------------------------|---|---|-----------------|------|--------|------|-------------------------|----|
| ANALOG SWITCH | | | | | | | | |
| R_{ON} | On-resistance | $V_S = 0\text{ V to }40\text{ V}$ $I_D = -10\text{ mA}$ Refer to On-Resistance | 25°C | | 2 | 2.4 | Ω | |
| | | | -40°C to +85°C | | | 3.2 | Ω | |
| | | | -40°C to +125°C | | | 3.8 | Ω | |
| ΔR_{ON} | On-resistance mismatch between channels | $V_S = 0\text{ V to }40\text{ V}$ $I_D = -10\text{ mA}$ Refer to On-Resistance | 25°C | | 0.1 | 0.18 | Ω | |
| | | | -40°C to +85°C | | | 0.19 | Ω | |
| | | | -40°C to +125°C | | | 0.21 | Ω | |
| $R_{ON\ FLAT}$ | On-resistance flatness | $V_S = 0\text{ V to }40\text{ V}$ $I_D = -10\text{ mA}$ Refer to On-Resistance | 25°C | | 0.65 | 0.8 | Ω | |
| | | | -40°C to +85°C | | | 1.1 | Ω | |
| | | | -40°C to +125°C | | | 1.2 | Ω | |
| $R_{ON\ DRIFT}$ | On-resistance drift | $V_S = 22\text{ V}$, $I_S = -10\text{ mA}$ Refer to On-Resistance | -40°C to +125°C | | 0.007 | | $\Omega/^\circ\text{C}$ | |
| $I_{S(OFF)}$ | Source off leakage current ⁽¹⁾ | $V_{DD} = 44\text{ V}$, $V_{SS} = 0\text{ V}$ Switch state is off $V_S = 40\text{ V} / 1\text{ V}$ $V_D = 1\text{ V} / 40\text{ V}$ Refer to Off-Leakage Current | 25°C | -1 | 0.05 | 1 | nA | |
| | | | -40°C to +85°C | | -7 | | 7 | nA |
| | | | -40°C to +125°C | | -50 | | 50 | nA |
| $I_{D(OFF)}$ | Drain off leakage current ⁽¹⁾ | $V_{DD} = 44\text{ V}$, $V_{SS} = 0\text{ V}$ Switch state is off $V_S = 40\text{ V} / 1\text{ V}$ $V_D = 1\text{ V} / 40\text{ V}$ Refer to Off-Leakage Current | 25°C | -1 | 0.05 | 1 | nA | |
| | | | -40°C to +85°C | | -7 | | 7 | nA |
| | | | -40°C to +125°C | | -50 | | 50 | nA |
| $I_{S(ON)}$ $I_{D(ON)}$ | Channel on leakage current ⁽²⁾ | $V_{DD} = 44\text{ V}$, $V_{SS} = 0\text{ V}$ Switch state is on $V_S = V_D = 40\text{ V}$ or 1 V Refer to On-Leakage Current | 25°C | -1 | 0.05 | 1 | nA | |
| | | | -40°C to +85°C | | -3.5 | | 3.5 | nA |
| | | | -40°C to +125°C | | -5 | | 5 | nA |
| LOGIC INPUTS (SEL / EN pins) | | | | | | | | |
| V_{IH} | Logic voltage high | | -40°C to +125°C | 1.3 | | 44 | V | |
| V_{IL} | Logic voltage low | | -40°C to +125°C | 0 | | 0.8 | V | |
| I_{IH} | Input leakage current | | -40°C to +125°C | | 0.6 | 2 | μA | |
| I_{IL} | Input leakage current | | -40°C to +125°C | -0.1 | -0.005 | | μA | |
| C_{IN} | Logic input capacitance | | -40°C to +125°C | | 3.5 | | pF | |
| POWER SUPPLY | | | | | | | | |
| I_{DD} | V_{DD} supply current | $V_{DD} = 44\text{ V}$, $V_{SS} = 0\text{ V}$ Logic inputs = 0 V, 5 V, or V_{DD} | 25°C | | 44 | 79 | μA | |
| | | | -40°C to +85°C | | | 88 | μA | |
| | | | -40°C to +125°C | | | 105 | μA | |

(1) When V_S is positive, V_D is negative, or when V_S is negative, V_D is positive.

(2) When V_S is at a voltage potential, V_D is floating, or when V_D is at a voltage potential, V_S is floating.

6.11 44 V Single Supply: Switching Characteristics

$V_{DD} = +44\text{ V}$, $V_{SS} = 0\text{ V}$, $GND = 0\text{ V}$ (unless otherwise noted)
 Typical at $V_{DD} = +44\text{ V}$, $V_{SS} = 0\text{ V}$, $T_A = 25^\circ\text{C}$ (unless otherwise noted)

| PARAMETER | | TEST CONDITIONS | T_A | MIN | TYP | MAX | UNIT |
|------------------------------|--|--|--|-----|--------|------|------|
| t_{ON} | Turn-on time from control input | $V_S = 18\text{ V}$ $R_L = 300\ \Omega$, $C_L = 35\text{ pF}$ Refer to Turn-on and Turn-off Time | 25°C | | 80 | 185 | ns |
| | | | $-40^\circ\text{C to } +85^\circ\text{C}$ | | | 205 | ns |
| | | | $-40^\circ\text{C to } +125^\circ\text{C}$ | | | 225 | ns |
| t_{OFF} | Turn-off time from control input | $V_S = 18\text{ V}$ $R_L = 300\ \Omega$, $C_L = 35\text{ pF}$ Refer to Turn-on and Turn-off Time | 25°C | | 90 | 205 | ns |
| | | | $-40^\circ\text{C to } +85^\circ\text{C}$ | | | 220 | ns |
| | | | $-40^\circ\text{C to } +125^\circ\text{C}$ | | | 228 | ns |
| t_{BBM} | Break-before-make time delay (TMUX7213 Only) | $V_S = 18\text{ V}$, $R_L = 300\ \Omega$, $C_L = 35\text{ pF}$ | 25°C | | 27 | | ns |
| | | | $-40^\circ\text{C to } +85^\circ\text{C}$ | | 10 | | ns |
| | | | $-40^\circ\text{C to } +125^\circ\text{C}$ | | 10 | | ns |
| $t_{ON(VDD)}$ | Device turn on time (V_{DD} to output) | V_{DD} rise time = $1\ \mu\text{s}$ $R_L = 300\ \Omega$, $C_L = 35\text{ pF}$ Refer to Turn-on (VDD) Time | 25°C | | 0.14 | | ms |
| | | | $-40^\circ\text{C to } +85^\circ\text{C}$ | | | 0.15 | ms |
| | | | $-40^\circ\text{C to } +125^\circ\text{C}$ | | | 0.15 | ms |
| t_{PD} | Propagation delay | $R_L = 50\ \Omega$, $C_L = 5\text{ pF}$ Refer to Propagation Delay | 25°C | | 270 | | ps |
| Q_{INJ} | Charge injection | $V_S = 22\text{ V}$, $C_L = 100\text{ pF}$ Refer to Charge Injection | 25°C | | 104 | | pC |
| O_{ISO} | Off-isolation | $R_L = 50\ \Omega$, $C_L = 5\text{ pF}$ $V_S = 6\text{ V}$, $f = 100\text{ kHz}$ Refer to Off Isolation | 25°C | | -70 | | dB |
| O_{ISO} | Off-isolation | $R_L = 50\ \Omega$, $C_L = 5\text{ pF}$ $V_S = 6\text{ V}$, $f = 1\text{ MHz}$ Refer to Off Isolation | 25°C | | -50 | | dB |
| X_{TALK} | Crosstalk | $R_L = 50\ \Omega$, $C_L = 5\text{ pF}$ $V_S = 6\text{ V}$, $f = 100\text{ kHz}$ Refer to Crosstalk | 25°C | | -112 | | dB |
| X_{TALK} | Crosstalk | $R_L = 50\ \Omega$, $C_L = 5\text{ pF}$ $V_S = 6\text{ V}$, $f = 1\text{ MHz}$ Refer to Crosstalk | 25°C | | -93 | | dB |
| BW | -3dB Bandwidth | $R_L = 50\ \Omega$, $C_L = 5\text{ pF}$ $V_S = 6\text{ V}$ Refer to Bandwidth | 25°C | | 46 | | MHz |
| I_L | Insertion loss | $R_L = 50\ \Omega$, $C_L = 5\text{ pF}$ $V_S = 6\text{ V}$, $f = 1\text{ MHz}$ | 25°C | | -0.15 | | dB |
| ACPSRR | AC Power Supply Rejection Ratio | $V_{PP} = 0.62\text{ V}$ on V_{DD} and V_{SS} $R_L = 50\ \Omega$, $C_L = 5\text{ pF}$, $f = 1\text{ MHz}$ Refer to ACPSRR | 25°C | | -66 | | dB |
| THD+N | Total Harmonic Distortion + Noise | $V_{PP} = 22\text{ V}$, $V_{BIAS} = 22\text{ V}$ $R_L = 10\text{ k}\Omega$, $C_L = 5\text{ pF}$, $f = 20\text{ Hz to } 20\text{ kHz}$ Refer to THD + Noise | 25°C | | 0.0003 | | % |
| $C_{S(OFF)}$ | Source off capacitance | $V_S = 22\text{ V}$, $f = 1\text{ MHz}$ | 25°C | | 28 | | pF |
| $C_{D(OFF)}$ | Drain off capacitance | $V_S = 22\text{ V}$, $f = 1\text{ MHz}$ | 25°C | | 45 | | pF |
| $C_{S(ON)}$, $C_{D(ON)}$ | On capacitance | $V_S = 22\text{ V}$, $f = 1\text{ MHz}$ | 25°C | | 145 | | pF |

6.12 12 V Single Supply: Electrical Characteristics

$V_{DD} = +12\text{ V} \pm 10\%$, $V_{SS} = 0\text{ V}$, $GND = 0\text{ V}$ (unless otherwise noted)

Typical at $V_{DD} = +12\text{ V}$, $V_{SS} = 0\text{ V}$, $T_A = 25^\circ\text{C}$ (unless otherwise noted)

| PARAMETER | | TEST CONDITIONS | T_A | MIN | TYP | MAX | UNIT | |
|-------------------------------------|---|---|-----------------|-------|--------|------|-------------------------|----|
| ANALOG SWITCH | | | | | | | | |
| R_{ON} | On-resistance | $V_S = 0\text{ V to }10\text{ V}$ $I_D = -10\text{ mA}$ Refer to On-Resistance | 25°C | | 2.8 | 5.4 | Ω | |
| | | | -40°C to +85°C | | | 6.8 | Ω | |
| | | | -40°C to +125°C | | | 7.4 | Ω | |
| ΔR_{ON} | On-resistance mismatch between channels | $V_S = 0\text{ V to }10\text{ V}$ $I_D = -10\text{ mA}$ Refer to On-Resistance | 25°C | | 0.13 | 0.21 | Ω | |
| | | | -40°C to +85°C | | | 0.23 | Ω | |
| | | | -40°C to +125°C | | | 0.25 | Ω | |
| $R_{ON\ FLAT}$ | On-resistance flatness | $V_S = 0\text{ V to }10\text{ V}$ $I_S = -10\text{ mA}$ Refer to On-Resistance | 25°C | | 1 | 1.7 | Ω | |
| | | | -40°C to +85°C | | | 1.9 | Ω | |
| | | | -40°C to +125°C | | | 2 | Ω | |
| $R_{ON\ DRIFT}$ | On-resistance drift | $V_S = 6\text{ V}$, $I_S = -10\text{ mA}$ Refer to On-Resistance | -40°C to +125°C | | 0.015 | | $\Omega/^\circ\text{C}$ | |
| $I_{S(OFF)}$ | Source off leakage current ⁽¹⁾ | $V_{DD} = 13.2\text{ V}$, $V_{SS} = 0\text{ V}$ Switch state is off $V_S = 10\text{ V} / 1\text{ V}$ $V_D = 1\text{ V} / 10\text{ V}$ Refer to Off-Leakage Current | 25°C | -0.25 | 0.01 | 0.25 | nA | |
| | | | -40°C to +85°C | | -2 | | 2 | nA |
| | | | -40°C to +125°C | | -16 | | 16 | nA |
| $I_{D(OFF)}$ | Drain off leakage current ⁽¹⁾ | $V_{DD} = 13.2\text{ V}$, $V_{SS} = 0\text{ V}$ Switch state is off $V_S = 10\text{ V} / 1\text{ V}$ $V_D = 1\text{ V} / 10\text{ V}$ Refer to Off-Leakage Current | 25°C | -0.25 | 0.05 | 0.25 | nA | |
| | | | -40°C to +85°C | | -2 | | 2 | nA |
| | | | -40°C to +125°C | | -16 | | 16 | nA |
| $I_{S(ON)}$ $I_{D(ON)}$ | Channel on leakage current ⁽²⁾ | $V_{DD} = 13.2\text{ V}$, $V_{SS} = 0\text{ V}$ Switch state is on $V_S = V_D = 10\text{ V}$ or 1 V Refer to On-Leakage Current | 25°C | -0.5 | 0.05 | 0.5 | nA | |
| | | | -40°C to +85°C | | -1 | | 1 | nA |
| | | | -40°C to +125°C | | -3 | | 3 | nA |
| LOGIC INPUTS (SEL / EN pins) | | | | | | | | |
| V_{IH} | Logic voltage high | | -40°C to +125°C | | 1.3 | 44 | V | |
| V_{IL} | Logic voltage low | | -40°C to +125°C | | 0 | 0.8 | V | |
| I_{IH} | Input leakage current | | -40°C to +125°C | | 0.4 | 2 | μA | |
| I_{IL} | Input leakage current | | -40°C to +125°C | -0.1 | -0.005 | | μA | |
| C_{IN} | Logic input capacitance | | -40°C to +125°C | | 3.5 | | pF | |
| POWER SUPPLY | | | | | | | | |
| I_{DD} | V_{DD} supply current | $V_{DD} = 13.2\text{ V}$, $V_{SS} = 0\text{ V}$ Logic inputs = 0 V, 5 V, or V_{DD} | 25°C | | 30 | 44 | μA | |
| | | | -40°C to +85°C | | | 52 | μA | |
| | | | -40°C to +125°C | | | 62 | μA | |

(1) When V_S is positive, V_D is negative, or when V_S is negative, V_D is positive.

(2) When V_S is at a voltage potential, V_D is floating, or when V_D is at a voltage potential, V_S is floating.

6.13 12 V Single Supply: Switching Characteristics

 $V_{DD} = +12\text{ V} \pm 10\%$, $V_{SS} = 0\text{ V}$, $GND = 0\text{ V}$ (unless otherwise noted)

 Typical at $V_{DD} = +12\text{ V}$, $V_{SS} = 0\text{ V}$, $T_A = 25^\circ\text{C}$ (unless otherwise noted)

| PARAMETER | | TEST CONDITIONS | T_A | MIN | TYP | MAX | UNIT |
|------------------------------|--|--|-----------------|-----|-------|------|------|
| t_{ON} | Turn-on time from control input | $V_S = 8\text{ V}$ $R_L = 300\ \Omega$, $C_L = 35\text{ pF}$ Refer to Turn-on and Turn-off Time | 25°C | | 170 | 225 | ns |
| | | | -40°C to +85°C | | | 276 | ns |
| | | | -40°C to +125°C | | | 315 | ns |
| t_{OFF} | Turn-off time from control input | $V_S = 8\text{ V}$ $R_L = 300\ \Omega$, $C_L = 35\text{ pF}$ Refer to Turn-on and Turn-off Time | 25°C | | 75 | 248 | ns |
| | | | -40°C to +85°C | | | 285 | ns |
| | | | -40°C to +125°C | | | 310 | ns |
| t_{BBM} | Break-before-make time delay (TMUX7213 Only) | $V_S = 8\text{ V}$, $R_L = 300\ \Omega$, $C_L = 35\text{ pF}$ | 25°C | | 30 | | ns |
| | | | -40°C to +85°C | | 13 | | ns |
| | | | -40°C to +125°C | | 13 | | ns |
| $t_{ON(VDD)}$ | Device turn on time (V_{DD} to output) | V_{DD} rise time = 1 μs $R_L = 300\ \Omega$, $C_L = 35\text{ pF}$ Refer to Turn-on (VDD) Time | 25°C | | 0.17 | | ms |
| | | | -40°C to +85°C | | | 0.18 | ms |
| | | | -40°C to +125°C | | | 0.18 | ms |
| t_{PD} | Propagation delay | $R_L = 50\ \Omega$, $C_L = 5\text{ pF}$ Refer to Propagation Delay | 25°C | | 270 | | ps |
| Q_{INJ} | Charge injection | $V_S = 6\text{ V}$, $C_L = 100\text{ pF}$ Refer to Charge Injection | 25°C | | 12 | | pC |
| O_{ISO} | Off-isolation | $R_L = 50\ \Omega$, $C_L = 5\text{ pF}$ $V_S = 6\text{ V}$, $f = 100\text{ kHz}$ Refer to Off Isolation | 25°C | | -70 | | dB |
| O_{ISO} | Off-isolation | $R_L = 50\ \Omega$, $C_L = 5\text{ pF}$ $V_S = 6\text{ V}$, $f = 1\text{ MHz}$ Refer to Off Isolation | 25°C | | -50 | | dB |
| X_{TALK} | Crosstalk | $R_L = 50\ \Omega$, $C_L = 5\text{ pF}$ $V_S = 6\text{ V}$, $f = 100\text{ kHz}$ Refer to Crosstalk | 25°C | | -112 | | dB |
| X_{TALK} | Crosstalk | $R_L = 50\ \Omega$, $C_L = 5\text{ pF}$ $V_S = 6\text{ V}$, $f = 1\text{ MHz}$ Refer to Crosstalk | 25°C | | -93 | | dB |
| BW | -3dB Bandwidth | $R_L = 50\ \Omega$, $C_L = 5\text{ pF}$ $V_S = 6\text{ V}$ Refer to Bandwidth | 25°C | | 125 | | MHz |
| I_L | Insertion loss | $R_L = 50\ \Omega$, $C_L = 5\text{ pF}$ $V_S = 6\text{ V}$, $f = 1\text{ MHz}$ | 25°C | | -0.25 | | dB |
| ACPSRR | AC Power Supply Rejection Ratio | $V_{PP} = 0.62\text{ V}$ on V_{DD} and V_{SS} $R_L = 50\ \Omega$, $C_L = 5\text{ pF}$, $f = 1\text{ MHz}$ Refer to ACPSRR | 25°C | | -70 | | dB |
| THD+N | Total Harmonic Distortion + Noise | $V_{PP} = 6\text{ V}$, $V_{BIAS} = 6\text{ V}$ $R_L = 10\text{ k}\Omega$, $C_L = 5\text{ pF}$, $f = 20\text{ Hz}$ to 20 kHz Refer to THD + Noise | 25°C | | 0.001 | | % |
| $C_{S(OFF)}$ | Source off capacitance | $V_S = 6\text{ V}$, $f = 1\text{ MHz}$ | 25°C | | 35 | | pF |
| $C_{D(OFF)}$ | Drain off capacitance | $V_S = 6\text{ V}$, $f = 1\text{ MHz}$ | 25°C | | 50 | | pF |
| $C_{S(ON)}$, $C_{D(ON)}$ | On capacitance | $V_S = 6\text{ V}$, $f = 1\text{ MHz}$ | 25°C | | 145 | | pF |

6.14 Typical Characteristics

at $T_A = 25^\circ\text{C}$ (unless otherwise noted)

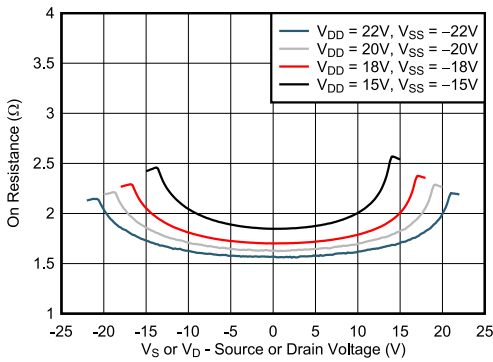


Figure 6-1. On-Resistance vs. Source or Drain Voltage – Dual Supply

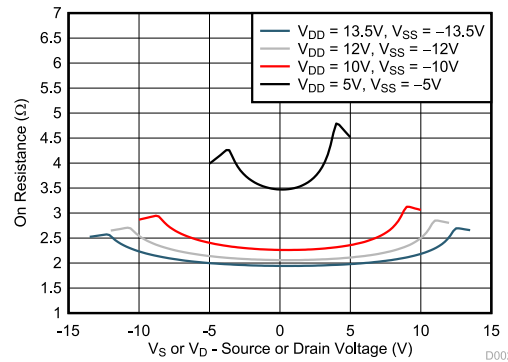


Figure 6-2. On-Resistance vs. Source or Drain Voltage – Dual Supply

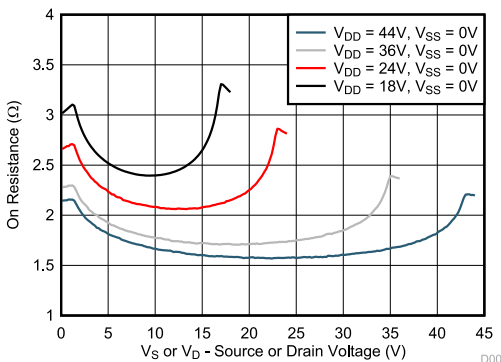


Figure 6-3. On-Resistance vs. Source or Drain Voltage – Single Supply

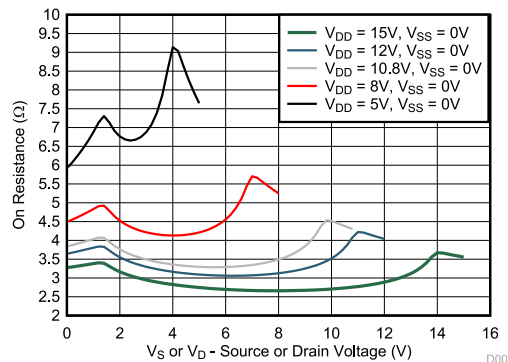


Figure 6-4. On-Resistance vs. Source or Drain Voltage – Single Supply

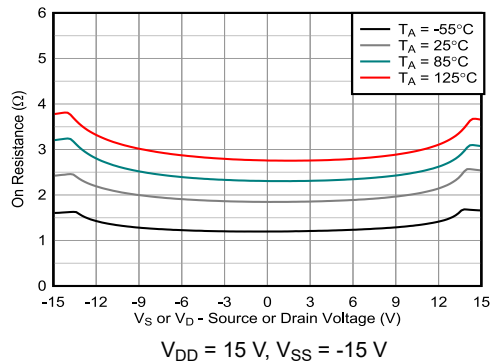


Figure 6-5. On-Resistance vs Temperature

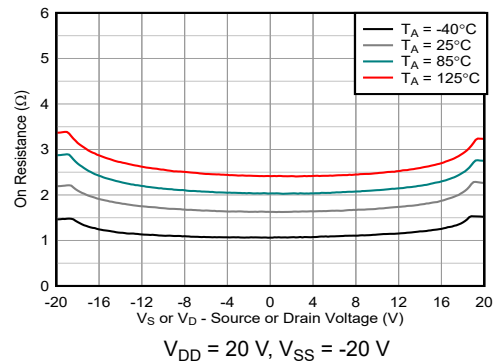


Figure 6-6. On-Resistance vs Temperature

6.14 Typical Characteristics (continued)

at $T_A = 25^\circ\text{C}$ (unless otherwise noted)

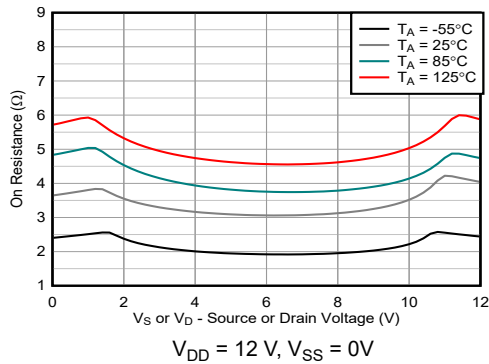


Figure 6-7. On-Resistance vs Temperature

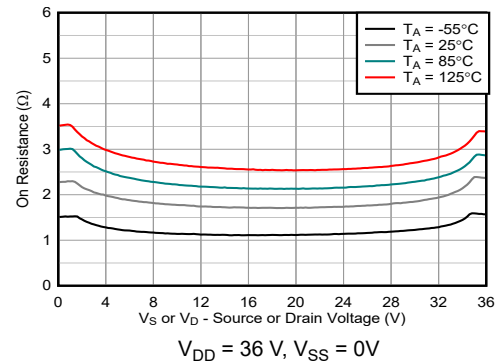


Figure 6-8. On-Resistance vs Temperature

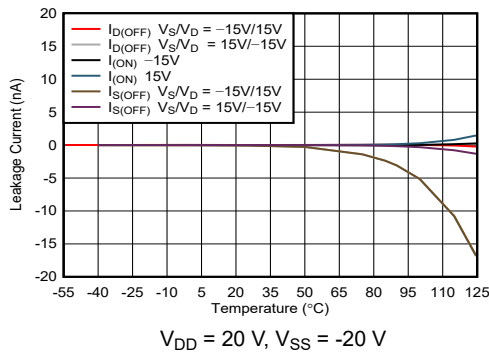


Figure 6-9. Leakage Current vs Temperature

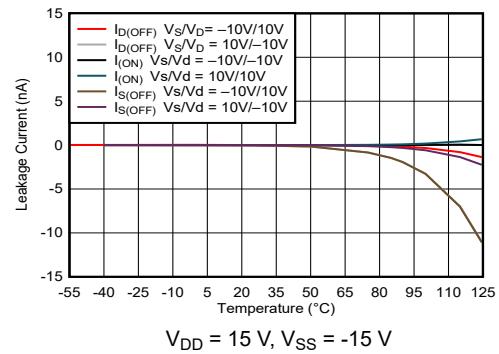


Figure 6-10. Leakage Current vs Temperature

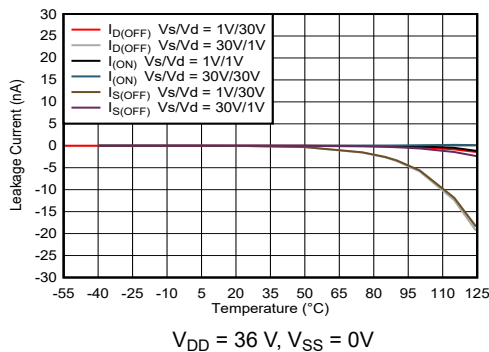


Figure 6-11. Leakage Current vs Temperature

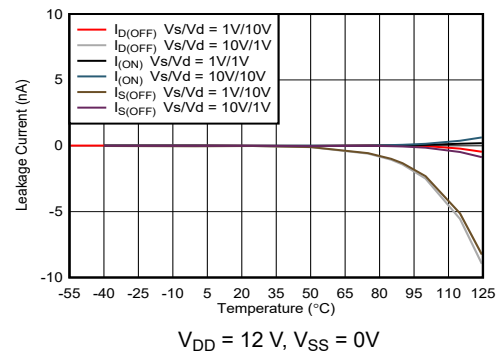


Figure 6-12. Leakage Current vs Temperature

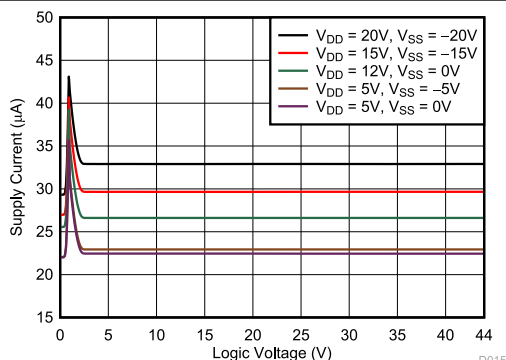


Figure 6-13. Supply Current vs. Logic Voltage

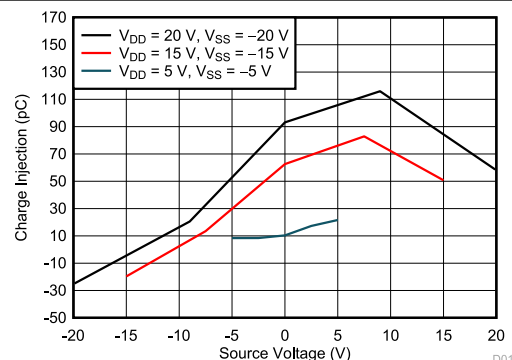


Figure 6-14. Charge Injection vs. Source Voltage – Dual Supply

6.14 Typical Characteristics (continued)

at $T_A = 25^\circ\text{C}$ (unless otherwise noted)

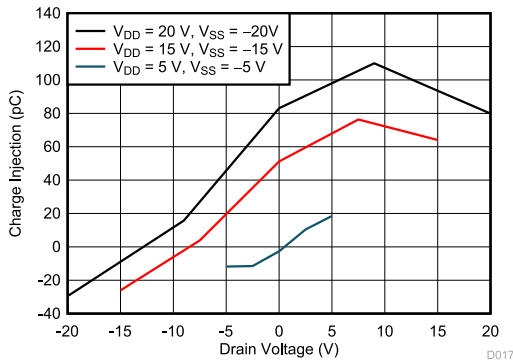


Figure 6-15. Charge Injection vs. Drain Voltage – Dual Supply

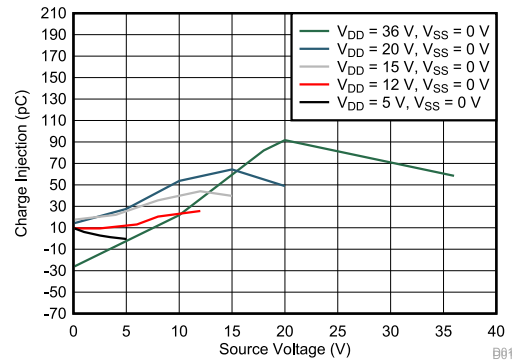


Figure 6-16. Charge Injection vs. Source Voltage – Single Supply

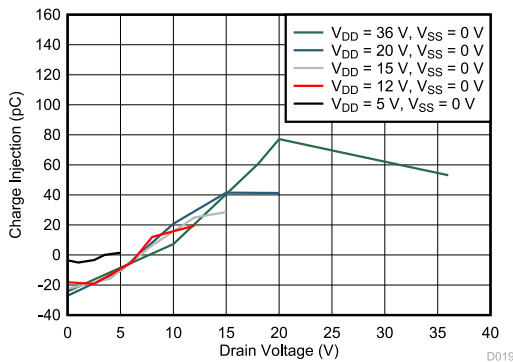


Figure 6-17. Charge Injection vs. Drain Voltage – Single Supply

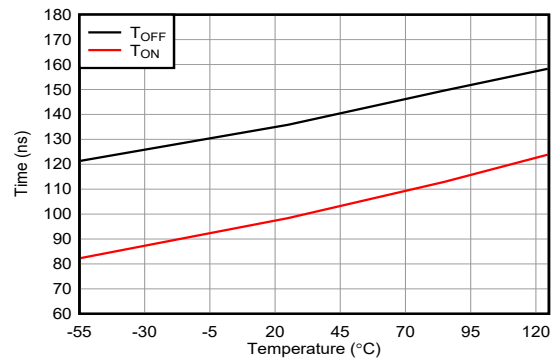


Figure 6-18. T_{ON} and T_{OFF} vs. Temperature
 $V_{DD} = 15\text{ V}, V_{SS} = -15\text{ V}$

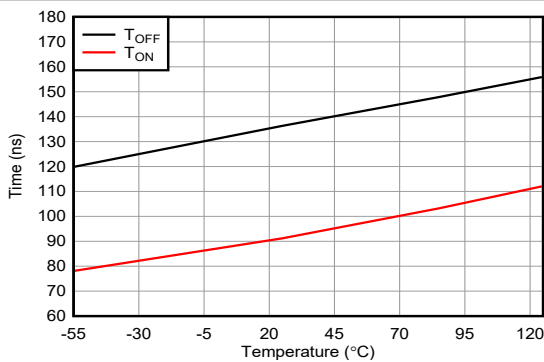


Figure 6-19. T_{ON} and T_{OFF} vs. Temperature
 $V_{DD} = 36\text{ V}, V_{SS} = 0\text{ V}$

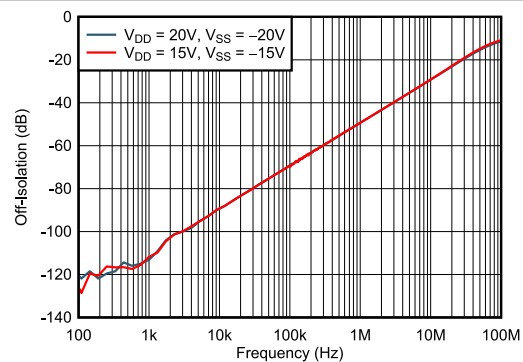


Figure 6-20. Off-Isolation vs Frequency

6.14 Typical Characteristics (continued)

at $T_A = 25^\circ\text{C}$ (unless otherwise noted)

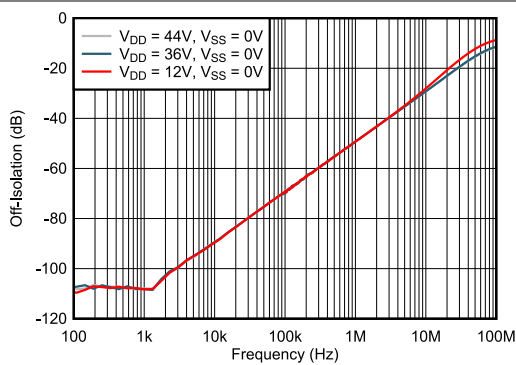
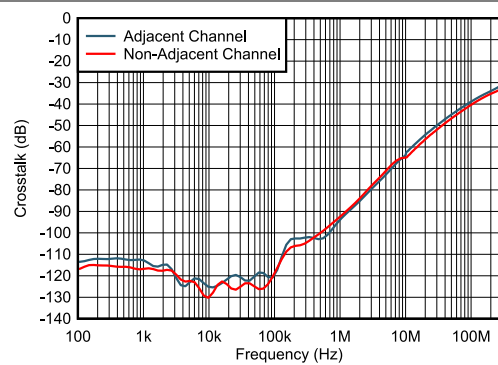


Figure 6-21. Off-Isolation vs Frequency



$V_{DD} = +15\text{ V}$, $V_{SS} = -15\text{ V}$

Figure 6-22. Crosstalk vs Frequency

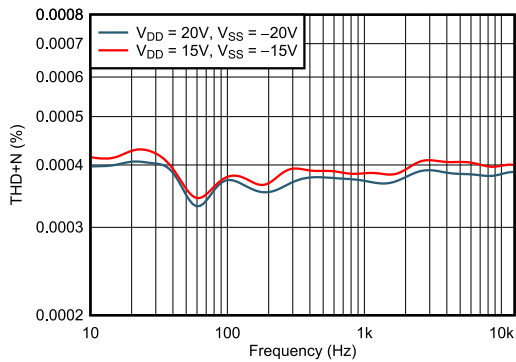


Figure 6-23. THD+N vs. Frequency (Dual Supplies)

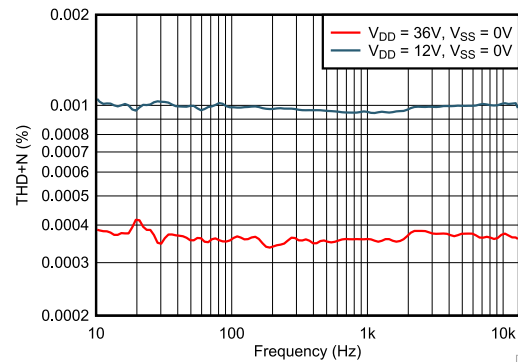
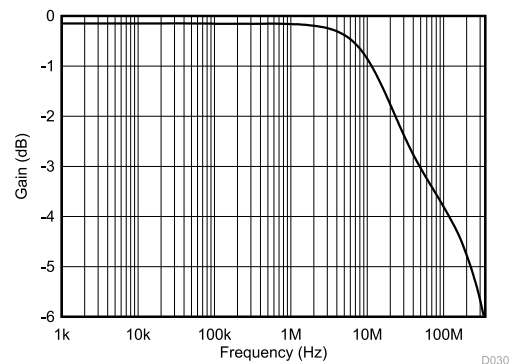
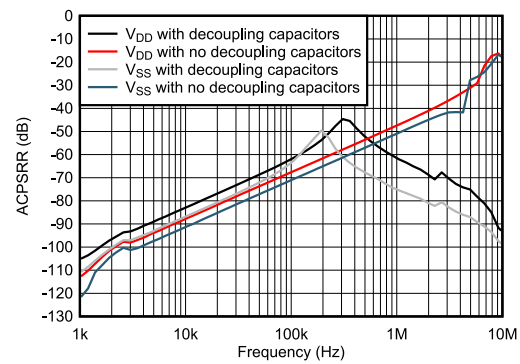


Figure 6-24. THD+N vs. Frequency (Single Supplies)



$V_{DD} = +15\text{ V}$, $V_{SS} = -15\text{ V}$

Figure 6-25. On Response vs Frequency

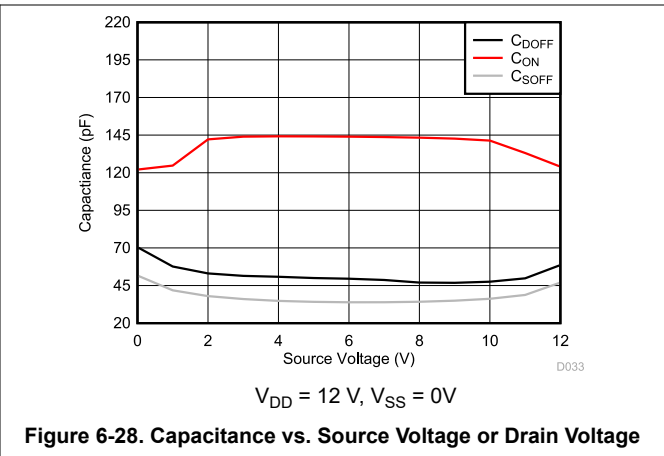
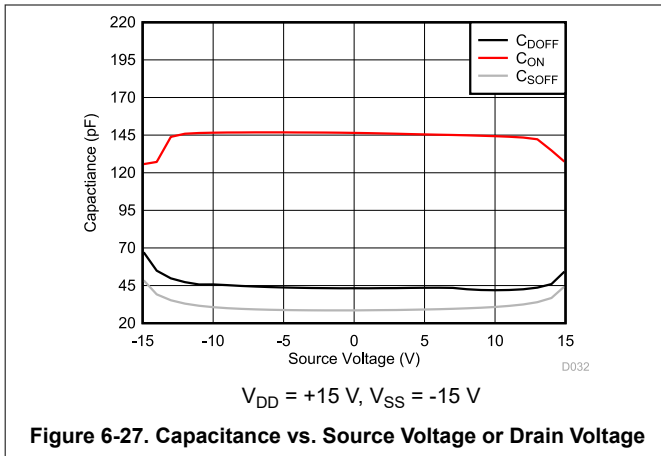


$V_{DD} = +15\text{ V}$, $V_{SS} = -15\text{ V}$

Figure 6-26. ACPSRR vs. Frequency

6.14 Typical Characteristics (continued)

at $T_A = 25^\circ\text{C}$ (unless otherwise noted)



7 Parameter Measurement Information

7.1 On-Resistance

The on-resistance of a device is the ohmic resistance between the source (Sx) and drain (Dx) pins of the device. The on-resistance varies with input voltage and supply voltage. The symbol R_{ON} is used to denote on-resistance. Figure 7-1 shows the measurement setup used to measure R_{ON} . Voltage (V) and current (I_{SD}) are measured using this setup, and R_{ON} is computed with $R_{ON} = V / I_{SD}$:

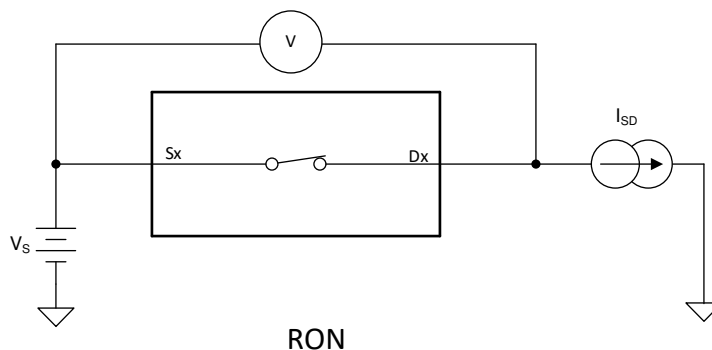


Figure 7-1. On-Resistance Measurement Setup

7.2 Off-Leakage Current

There are two types of leakage currents associated with a switch during the off state:

1. Source off-leakage current.
2. Drain off-leakage current.

Source leakage current is defined as the leakage current flowing into or out of the source pin when the switch is off. This current is denoted by the symbol $I_{S(OFF)}$.

Drain leakage current is defined as the leakage current flowing into or out of the drain pin when the switch is off. This current is denoted by the symbol $I_{D(OFF)}$.

Figure 7-2 shows the setup used to measure both off-leakage currents.

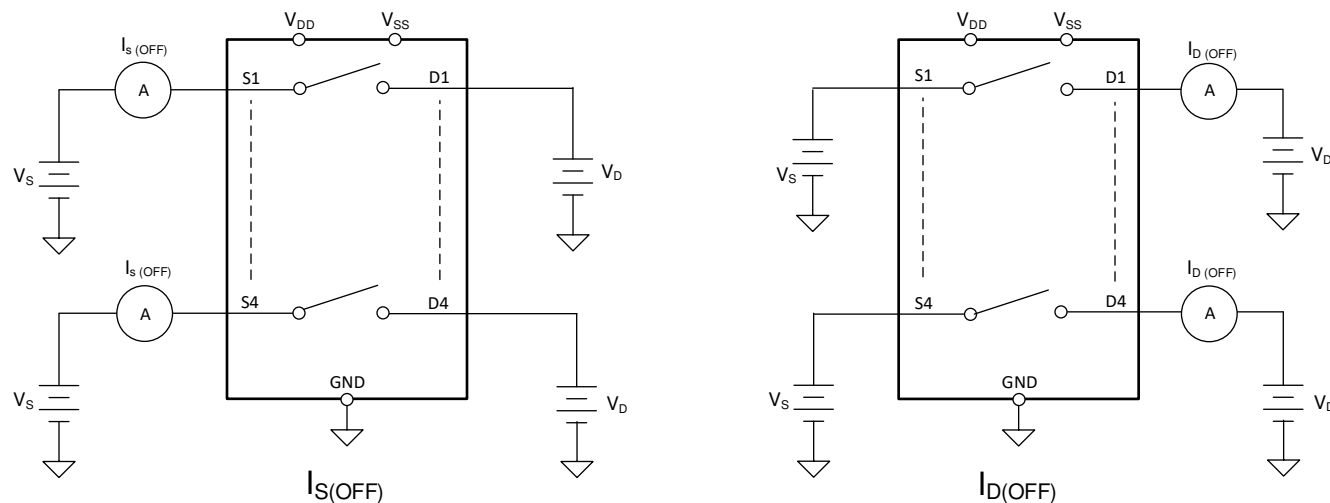


Figure 7-2. Off-Leakage Measurement Setup

7.3 On-Leakage Current

Source on-leakage current is defined as the leakage current flowing into or out of the source pin when the switch is on. This current is denoted by the symbol $I_{S(ON)}$.

Drain on-leakage current is defined as the leakage current flowing into or out of the drain pin when the switch is on. This current is denoted by the symbol $I_{D(ON)}$.

Either the source pin or drain pin is left floating during the measurement. [Figure 7-3](#) shows the circuit used for measuring the on-leakage current, denoted by $I_{S(ON)}$ or $I_{D(ON)}$.

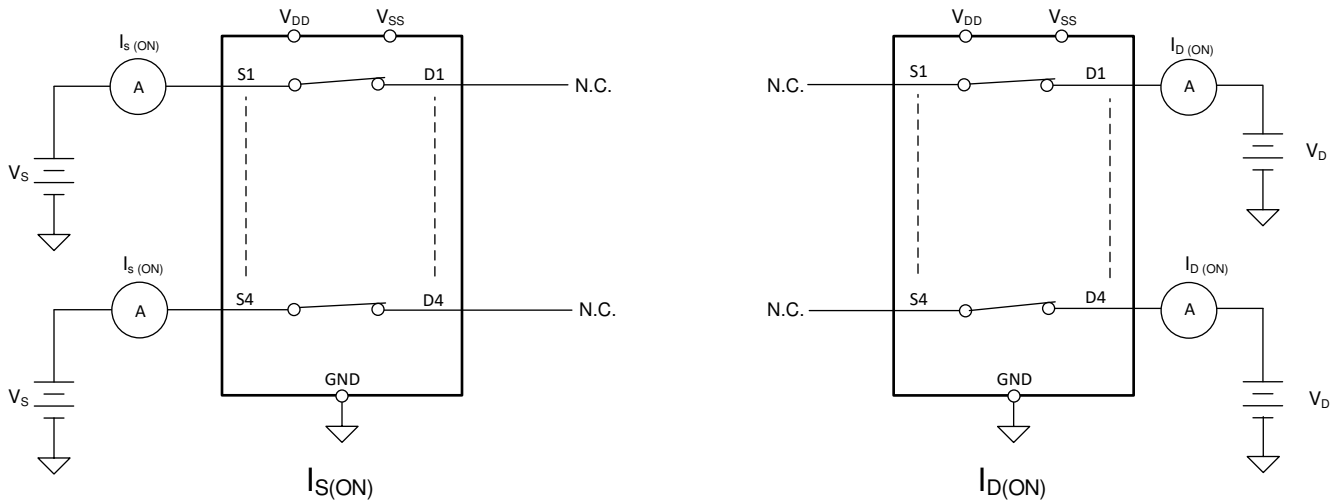


Figure 7-3. On-Leakage Measurement Setup

7.4 t_{ON} and t_{OFF} Time

Turn-on time is defined as the time taken by the output of the device to rise to 90% after the enable has risen past the logic threshold. The 90% measurement is utilized to provide the timing of the device. System level timing can then account for the time constant added from the load resistance and load capacitance. [Figure 7-4](#) shows the setup used to measure turn-on time, denoted by the symbol t_{ON} .

Turn-off time is defined as the time taken by the output of the device to fall to 10% after the enable has fallen past the logic threshold. The 10% measurement is utilized to provide the timing of the device. System level timing can then account for the time constant added from the load resistance and load capacitance. [Figure 7-4](#) shows the setup used to measure turn-off time, denoted by the symbol t_{OFF} .

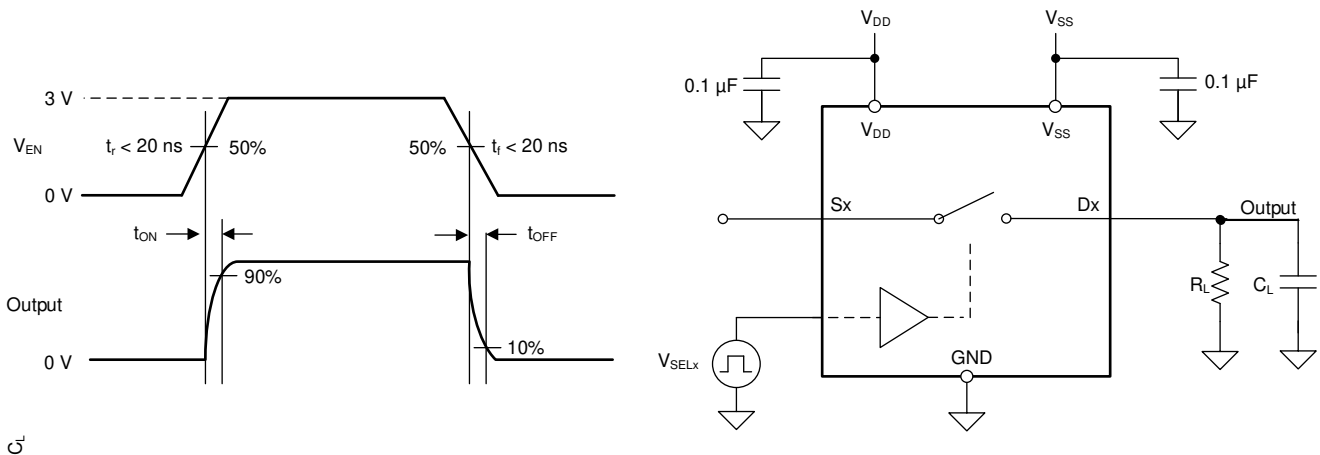


Figure 7-4. Turn-On and Turn-Off Time Measurement Setup

7.5 $t_{ON(VDD)}$ Time

The $t_{ON(VDD)}$ time is defined as the time taken by the output of the device to rise to 90% after the supply has risen past the supply threshold. The 90% measurement is used to provide the timing of the device turning on in the system. Figure 7-5 shows the setup used to measure turn on time, denoted by the symbol $t_{ON(VDD)}$.

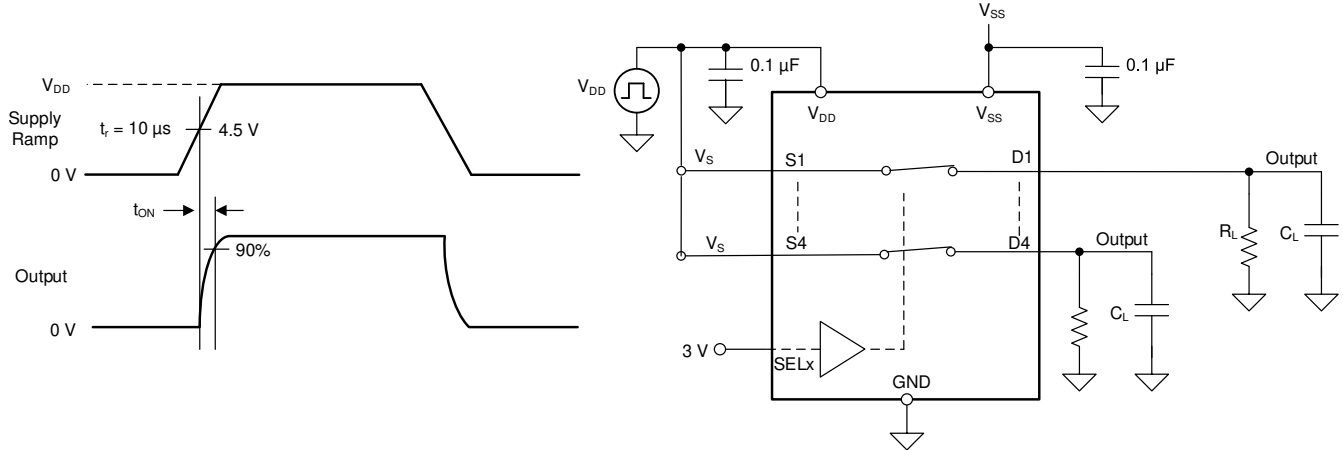


Figure 7-5. $t_{ON(VDD)}$ Time Measurement Setup

7.6 Propagation Delay

Propagation delay is defined as the time taken by the output of the device to rise or fall 50% after the input signal has risen or fallen past the 50% threshold. Figure 7-6 shows the setup used to measure propagation delay, denoted by the symbol t_{PD} .

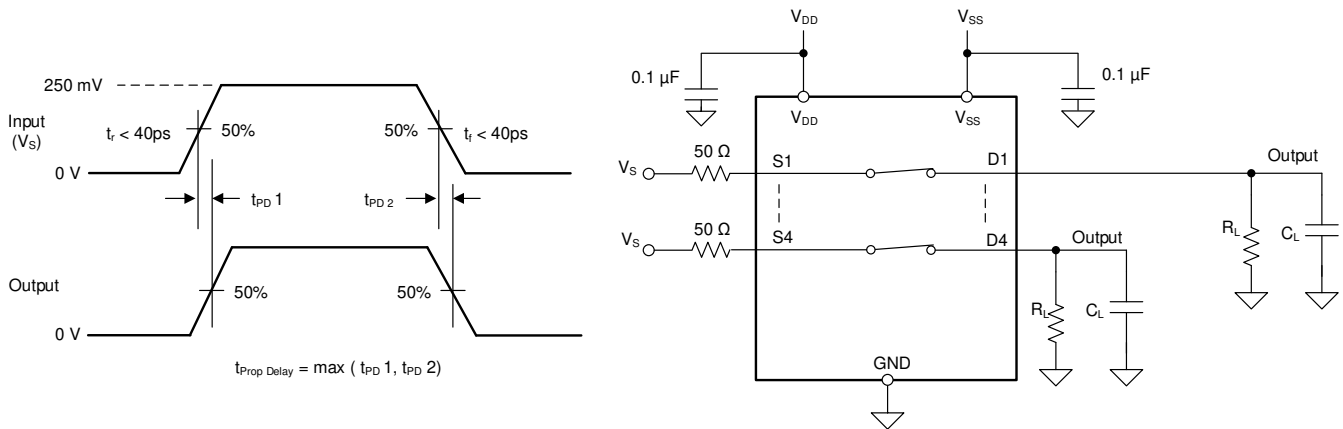


Figure 7-6. Propagation Delay Measurement Setup

7.7 Charge Injection

The TMUX721x devices have a transmission-gate topology. Any mismatch in capacitance between the NMOS and PMOS transistors results in a charge injected into the drain or source during the falling or rising edge of the gate signal. The amount of charge injected into the source or drain of the device is known as charge injection, and is denoted by the symbol Q_C . Figure 7-7 shows the setup used to measure charge injection from source (S_x) to drain (D_x).

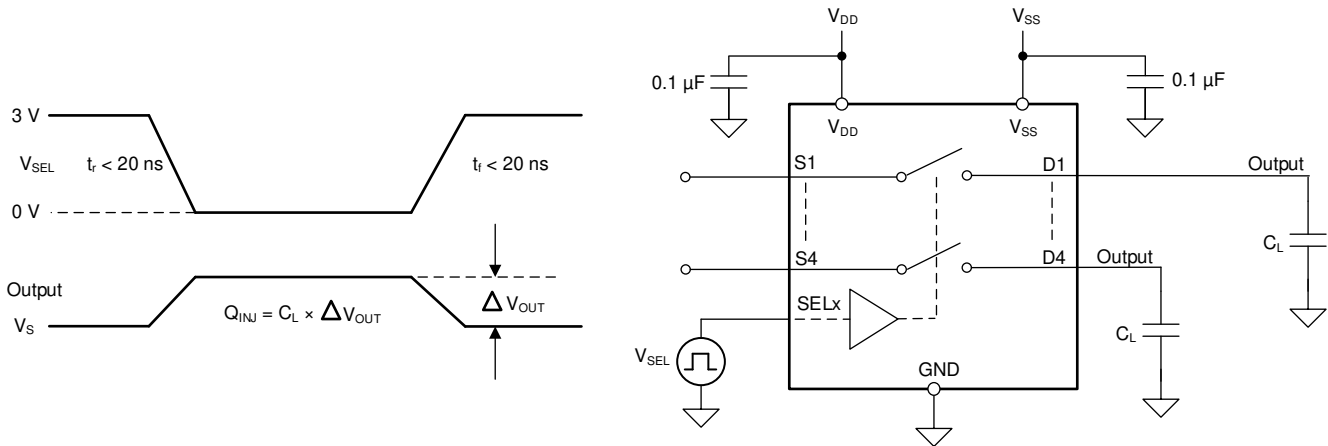


Figure 7-7. Charge-Injection Measurement Setup

7.8 Off Isolation

Off isolation is defined as the ratio of the signal at the drain pin (D_x) of the device when a signal is applied to the source pin (S_x) of an off-channel. The characteristic impedance, Z_0 , for the measurement is 50 Ω. Figure 7-8 shows the setup used to measure off isolation. Use off isolation equation to compute off isolation.

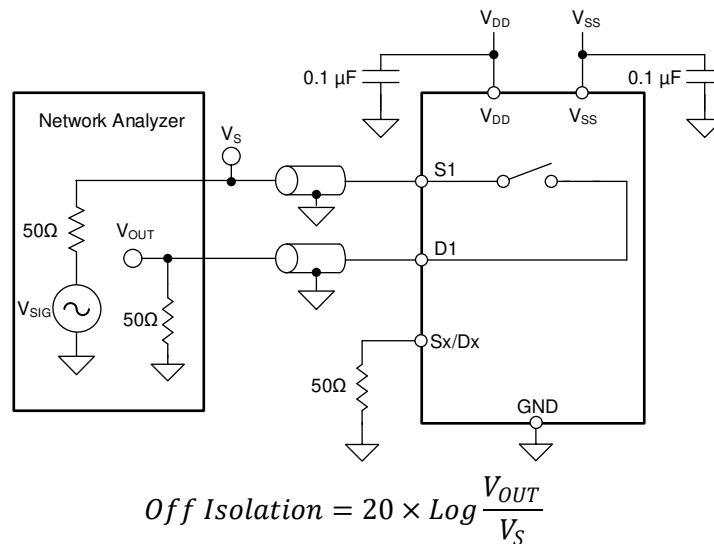


Figure 7-8. Off Isolation Measurement Setup

7.9 Channel-to-Channel Crosstalk

Crosstalk is defined as the ratio of the signal at the drain pin (Dx) of a different channel, when a signal is applied at the source pin (Sx) of an on-channel. The characteristic impedance, Z_0 , for the measurement is 50 Ω . [Figure 7-9](#) shows the setup used to measure, and the equation used to compute crosstalk.

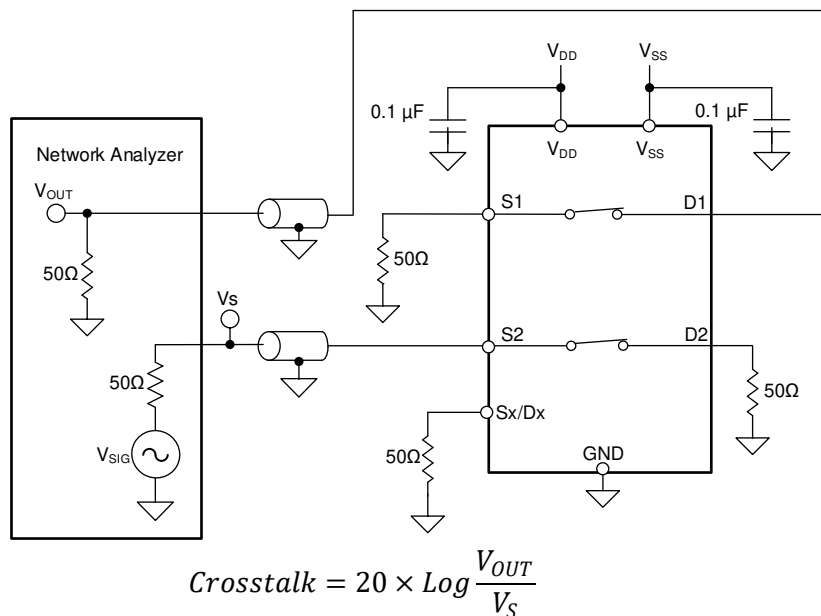


Figure 7-9. Channel-to-Channel Crosstalk Measurement Setup

7.10 Bandwidth

Bandwidth is defined as the range of frequencies that are attenuated by less than 3 dB when the input is applied to the source pin (Sx) of an on-channel, and the output is measured at the drain pin (Dx) of the device. The characteristic impedance, Z_0 , for the measurement is 50 Ω . [Figure 7-10](#) shows the setup used to measure bandwidth.

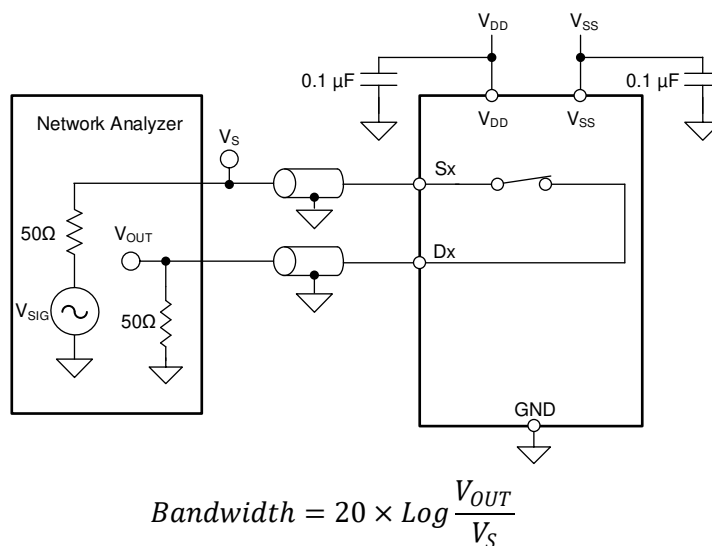


Figure 7-10. Bandwidth Measurement Setup

7.11 THD + Noise

The total harmonic distortion (THD) of a signal is a measurement of the harmonic distortion, and is defined as the ratio of the sum of the powers of all harmonic components to the power of the fundamental frequency at the mux output. The on-resistance of the device varies with the amplitude of the input signal and results in distortion when the drain pin is connected to a low-impedance load. Total harmonic distortion plus noise is denoted as THD + N.

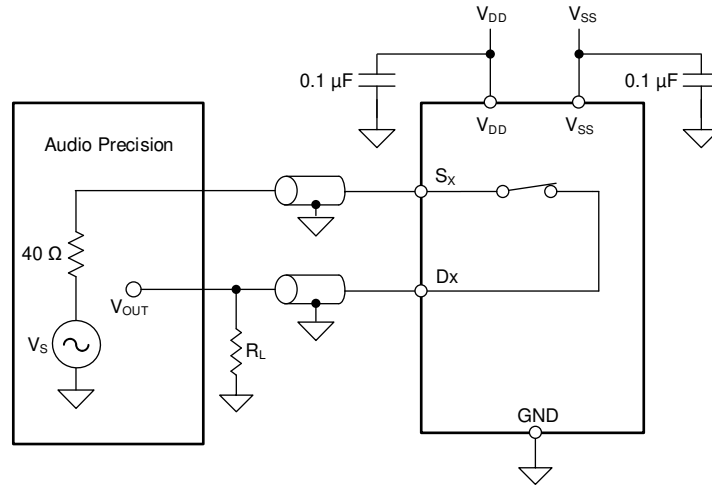


Figure 7-11. THD + N Measurement Setup

7.12 Power Supply Rejection Ratio (PSRR)

PSRR measures the ability of a device to prevent noise and spurious signals that appear on the supply voltage pin from coupling to the output of the switch. The DC voltage on the device supply is modulated by a sine wave of 100 mV_{PP}. The ratio of the amplitude of signal on the output to the amplitude of the modulated signal is the AC PSRR.

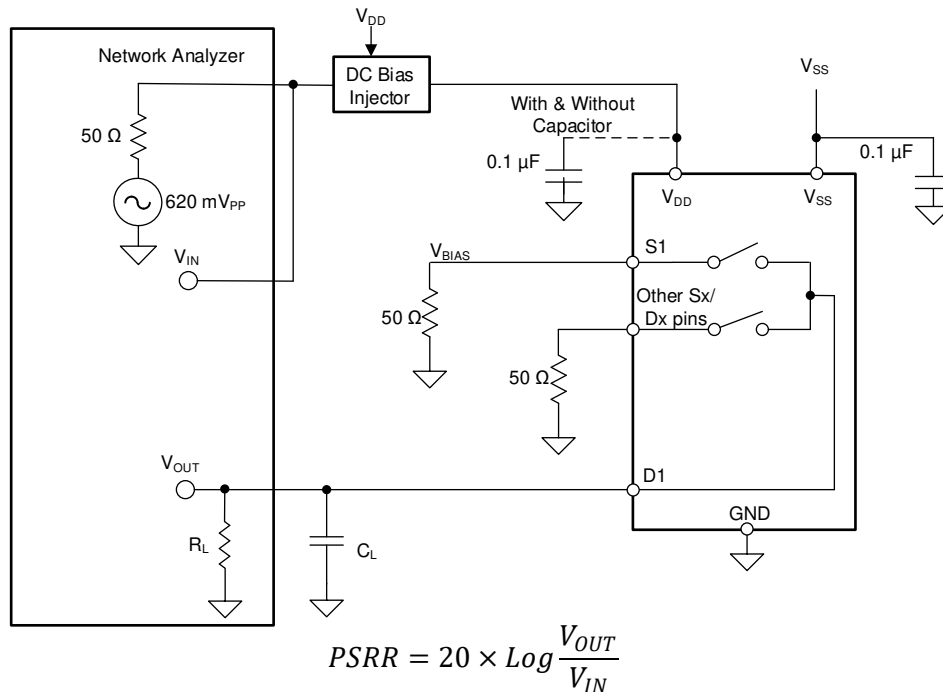


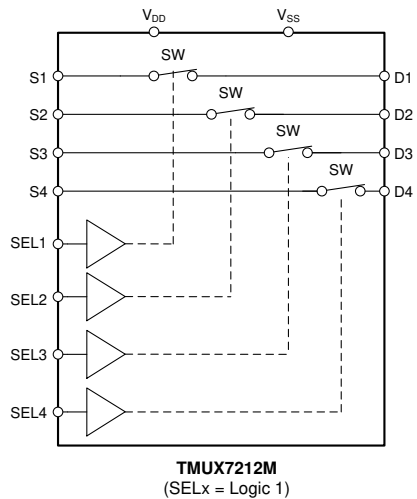
Figure 7-12. AC PSRR Measurement Setup

8 Detailed Description

8.1 Overview

The TMUX7212 is a 1:1 (SPST), 4-channel switch. The device has four independently selectable single-pole, single-throw switches that are turned-on or turned-off based on the state of the corresponding select pin.

8.2 Functional Block Diagram



8.3 Feature Description

8.3.1 Bidirectional Operation

The TMUX721x conducts equally well from source (Sx) to drain (Dx) or from drain (Dx) to source (Sx). Each channel has similar characteristics in both directions and supports both analog and digital signals.

8.3.2 Rail-to-Rail Operation

The valid signal path input and output voltage for TMUX721x ranges from V_{SS} to V_{DD} .

8.3.3 1.8V Logic Compatible Inputs

The TMUX721x device has 1.8V logic compatible control for all logic control inputs. 1.8V logic level inputs allows the TMUX721x to interface with processors that have lower logic I/O rails and eliminates the need for an external translator, which saves both space and bill of material cost. For more information on 1.8V logic implementations refer to [Simplifying Design with 1.8V logic Muxes and Switches](#).

8.3.4 Integrated Pull-Down Resistor on Logic Pins

The TMUX721x has internal weak pull-down resistors to GND to ensure the logic pins are not left floating. The value of this pull-down resistor is approximately $4M\Omega$, but is clamped to about $1\ \mu A$ at higher voltages. This feature integrates up to four external components and reduces system size and cost.

8.3.5 Fail-Safe Logic

The TMUX721x supports Fail-Safe Logic on the control input pins (SEL1, SEL2, SEL3, and SEL4) allowing for operation up to 44V, regardless of the state of the supply pin. This feature allows voltages on the control pins to be applied before the supply pin, protecting the device from potential damage. Fail-Safe Logic minimizes system complexity by removing the need for power supply sequencing on the logic control pins. For example, the Fail-Safe Logic feature allows the select pins of the TMUX721x to be ramped to 44V while V_{DD} and $V_{SS} = 0V$. The logic control inputs are protected against positive faults of up to 44V in powered-off condition, but do not offer protection against negative overvoltage conditions.

8.3.6 Latch-Up Immune

Latch-up is a condition where a low impedance path is created between a supply pin and ground. This condition is caused by a trigger (current injection or overvoltage), but once activated, the low impedance path remains even after the trigger is no longer present. This low impedance path may cause system upset or catastrophic damage due to excessive current levels. The latch-up condition typically requires a power cycle to eliminate the low impedance path.

The TMUX721x family of devices are constructed on silicon on insulator (SOI) based process where an oxide layer is added between the PMOS and NMOS transistor of each CMOS switch to prevent parasitic structures from forming. The oxide layer is also known as an insulating trench and prevents triggering of latch up events due to overvoltage or current injections. The latch-up immunity feature allows the TMUX721x family of switches and multiplexers to be used in harsh environments. For more information on latch-up immunity refer to [Using Latch Up Immune Multiplexers to Help Improve System Reliability](#).

8.3.7 Ultra-Low Charge Injection

Figure 8-1 shows how the TMUX721x devices have a transmission gate topology. Any mismatch in the stray capacitance associated with the NMOS and PMOS causes an output level change whenever the switch is opened or closed.

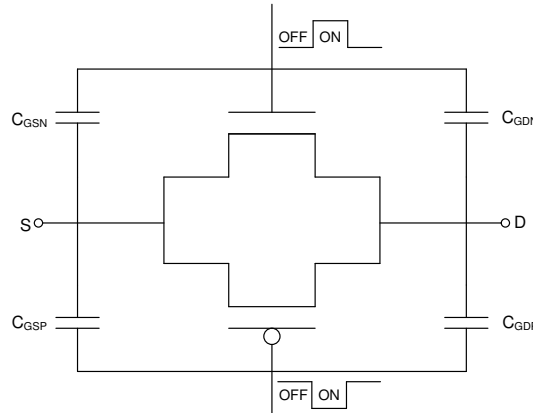


Figure 8-1. Transmission Gate Topology

The TMUX721x contains specialized architecture to reduce charge injection on the Drain (Dx). To further reduce charge injection in a sensitive application, a compensation capacitor (Cp) can be added on the Source (Sx). This will ensure that excess charge from the switch transition will be pushed into the compensation capacitor on the Source (Sx) instead of the Drain (Dx). As a general rule, Cp should be 20x larger than the equivalent load capacitance on the Drain (Dx). Figure 8-2 shows charge injection variation with different compensation capacitors on the Source side. This plot was captured on the TMUX7219M as part of the TMUX72xx family with a 100 pF load capacitance.

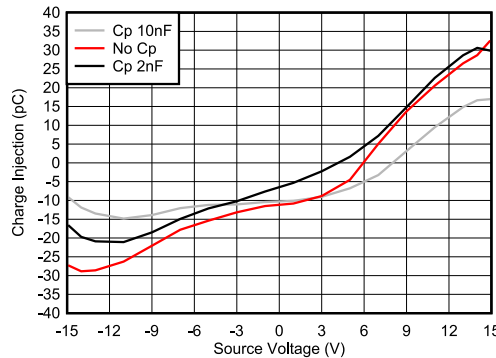


Figure 8-2. Charge Injection Compensation

8.4 Device Functional Modes

The TMUX721x device has four independently selectable single-pole, single-throw switches that are turned-on or turned-off based on the state of the corresponding select pin. The control pins can be as high as 44V.

The TMUX721x devices can operate without any external components except for the supply decoupling capacitors. The SELx pins have internal pull-down resistors of 4M Ω . If unused, then the SELx pin must be tied to GND for the device to not consume additional current as highlighted in [Implications of Slow or Floating CMOS Inputs](#). Unused signal path inputs (Sx or Dx) should be connected to GND.

8.5 Truth Tables

[Table 8-1](#) shows the truth tables for the TMUX7212.

Table 8-1. TMUX7212 Truth Table

| SEL x ⁽¹⁾ | CHANNEL x |
|----------------------|---------------|
| 0 | Channel x OFF |
| 1 | Channel x ON |

(1) x denotes 1, 2, 3, or 4 for the corresponding channel.

9 Application and Implementation

Note

Information in the following applications sections is not part of the TI component specification, and TI does not warrant its accuracy or completeness. TI's customers are responsible for determining suitability of components for their purposes, as well as validating and testing their design implementation to confirm system functionality.

9.1 Application Information

The TMUX721x is part of the precision switches and multiplexers family of devices. These devices operate with dual supplies ($\pm 4.5\text{ V}$ to $\pm 22\text{ V}$), a single supply (4.5 V to 44 V), or asymmetric supplies (such as $V_{DD} = 12\text{ V}$, $V_{SS} = -5\text{ V}$), and offer true rail-to-rail input and output. The TMUX721x offers low R_{ON} , low on and off leakage currents and ultra-low charge injection performance. These features makes the TMUX721x a family of precision, robust, high-performance analog multiplexer for high-voltage, industrial applications.

9.2 Typical Application

One example to take advantage of TMUX721x precision performance is the implementation of parametric measurement unit (PMU) in the semiconductor automatic test equipment (ATE) application.

In Automated Test Equipment (ATE) systems, the Parametric Measurement Unit (PMU) is tasked to measure device (DUT) parametric information in terms of voltage and current. When measuring voltage, current is applied at the DUT pin, and current range adjustment can be done through changing the value of the internal sense resistor. There is sometimes a need, depending on the DUT, to use even higher testing current than natively supported by the system. A 4 channel SPST switch, together with external higher current amplifier and resistor, can be used to achieve the flexibility. The PMU operating voltage is typically in mid voltage (up to 20 V). An appropriate switch like the TMUX721x with low leakage current (0.05 nA typical) works well in these applications to ensure measurement accuracy and low R_{ON} and flat $R_{ON_FLATNESS}$ allows the current range to be controlled more precisely. [Figure 9-1](#) shows simplified diagram of such implementations in memory and semiconductor test equipment.

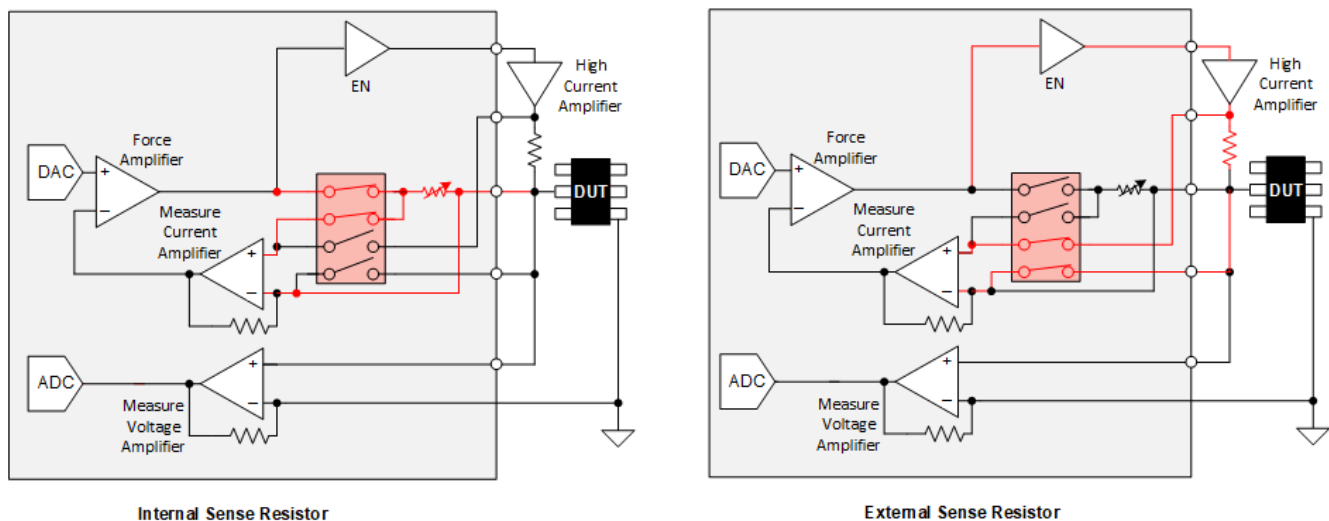


Figure 9-1. High Current Range Selection Using External Resistor

9.2.1 Design Requirements

For this design example, use the parameters listed in [Table 9-1](#).

Table 9-1. Design Parameters

| PARAMETERS | VALUES |
|-----------------------------|------------------------------|
| Supply (V_{DD}) | 20 V |
| Supply (V_{SS}) | -10 V |
| Input / Output signal range | -10 V to 20 V (Rail-to-Rail) |
| Control logic thresholds | 1.8 V compatible |

9.2.2 Detailed Design Procedure

[Figure 10-1](#) demonstrates how the TMUX721x can be used in semiconductor test equipment for high-precision, high-voltage, multi-channel measurement applications. The TMUX721x can support 1.8 V logic signals on the control input, allowing the device to interface with low logic controls of an FPGA or MCU. The TMUX721x can be operated without any external components except for the supply decoupling capacitors. The select pins have an internal pull-down resistor to prevent floating input logic. All inputs to the switch must fall within the recommend operating conditions of the TMUX721x including signal range and continuous current. For this design with a positive supply of 20 V on V_{DD} , and negative supply of -10 V on V_{SS} , the signal range can be 20 V to -10 V. The max continuous current (I_{DC}) can be up to 330 mA as shown in the *Recommended Operating Conditions* table for wide-range current measurement.

9.2.3 Application Curve

The TMUX721x have excellent charge injection performance and ultra-low leakage current, making them ideal choices to minimize sampling error for the sample and hold application.

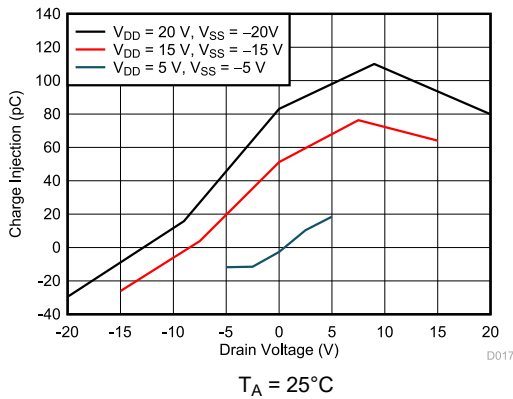


Figure 9-2. Charge Injection vs. Drain Voltage

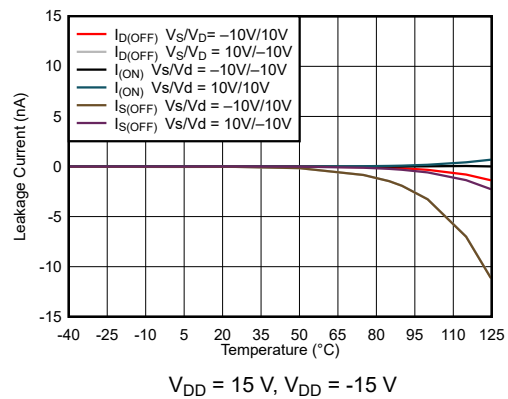


Figure 9-3. On-Leakage vs. Source or Drain Voltage

9.3 Power Supply Recommendations

The TMUX721x device operates across a wide supply range of $\pm 4.5V$ to $\pm 22V$ (4.5V to 44V in single-supply mode). The device also perform well with asymmetrical supplies such as $V_{DD} = 12 V$ and $V_{SS} = -5 V$.

Power-supply bypassing improves noise margin and prevents switching noise propagation from the supply rails to other components. Good power-supply decoupling is important to achieve optimum performance. For improved supply noise immunity, use a supply decoupling capacitor ranging from 0.1 μF to 10 μF at both the V_{DD} and V_{SS} pins to ground. Place the bypass capacitors as close to the power supply pins of the device as possible using low-impedance connections. TI recommends using multi-layer ceramic chip capacitors (MLCCs) that offer low equivalent series resistance (ESR) and inductance (ESL) characteristics for power-supply decoupling purposes. For very sensitive systems, or for systems in harsh noise environments, avoiding the use of vias for connecting the capacitors to the device pins may offer superior noise immunity. The use of multiple vias

in parallel lowers the overall inductance and is beneficial for connections to ground and power planes. Always ensure the ground (GND) connection is established before supplies are ramped.

9.4 Layout

9.4.1 Layout Guidelines

When a PCB trace turns a corner at a 90° angle, a reflection can occur. A reflection occurs primarily because of the change of width of the trace. At the apex of the turn, the trace width increases to 1.414 times the width. This increase upsets the transmission-line characteristics, especially the distributed capacitance and self-inductance of the trace which results in the reflection. Not all PCB traces can be straight and therefore some traces must turn corners. [Figure 9-4](#) shows progressively better techniques of rounding corners. Only the last example (BEST) maintains constant trace width and minimizes reflections.

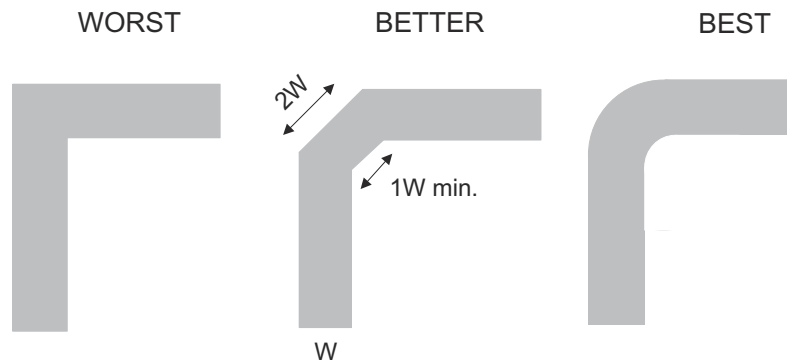


Figure 9-4. Trace Example

Route high-speed signals using a minimum of vias and corners which reduces signal reflections and impedance changes. When a via must be used, increase the clearance size around it to minimize its capacitance. Each via introduces discontinuities in the signal's transmission line and increases the chance of picking up interference from the other layers of the board. Be careful when designing test points, through-hole pins are not recommended at high frequencies.

Some key considerations are:

- For reliable operation, connect a decoupling capacitor ranging from 0.1 μ F to 10 μ F between VDD/VSS and GND. We recommend a 0.1 μ F and 1 μ F capacitor, placing the lowest value capacitor as close to the pin as possible. Make sure that the capacitor voltage rating is sufficient for the supply voltage.
- Keep the input lines as short as possible.
- Use a solid ground plane to help reduce electromagnetic interference (EMI) noise pickup.
- Do not run sensitive analog traces in parallel with digital traces. Avoid crossing digital and analog traces if possible, and only make perpendicular crossings when necessary.
- Using multiple vias in parallel will lower the overall inductance and is beneficial for connection to ground planes.

9.4.2 Layout Example

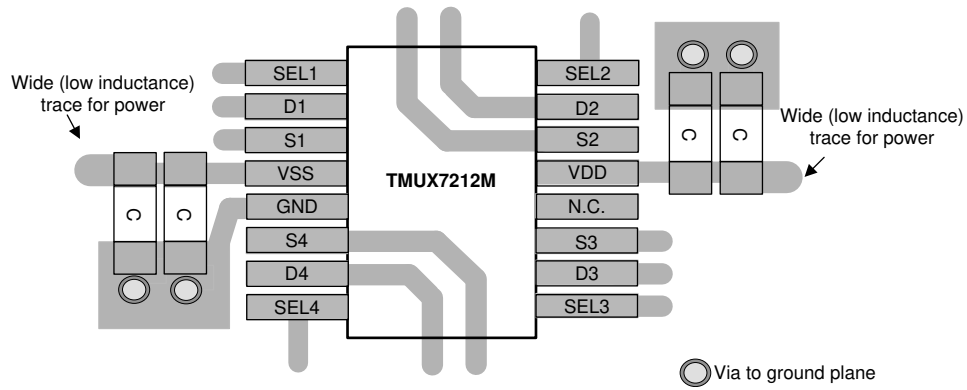


Figure 9-5. TMUX721x Layout Example

10 Device and Documentation Support

10.1 Documentation Support

10.1.1 Related Documentation

- Texas Instruments, [Using Latch Up Immune Multiplexers to Help Improve System Reliability](#) application note
- Texas Instruments, [Improve Stability Issues with Low CON Multiplexers](#) application brief
- Texas Instruments, [Improving Signal Measurement Accuracy in Automated Test Equipment](#) application brief
- Texas Instruments, [Sample & Hold Glitch Reduction for Precision Outputs Reference Design](#) reference guide
- Texas Instruments, [Simplifying Design with 1.8V logic Muxes and Switches](#) application brief
- Texas Instruments, [System-Level Protection for High-Voltage Analog Multiplexers](#) application note
- Texas Instruments, [True Differential, 4 x 2 MUX, Analog Front End, Simultaneous-Sampling ADC Circuit](#) application note
- Texas Instruments, [Quad Flatpack No-Lead Logic Packages](#) application note

10.2 Receiving Notification of Documentation Updates

To receive notification of documentation updates, navigate to the device product folder on [ti.com](https://www.ti.com). Click on *Notifications* to register and receive a weekly digest of any product information that has changed. For change details, review the revision history included in any revised document.

10.3 Support Resources

[TI E2E™ support forums](#) are an engineer's go-to source for fast, verified answers and design help — straight from the experts. Search existing answers or ask your own question to get the quick design help you need.

Linked content is provided "AS IS" by the respective contributors. They do not constitute TI specifications and do not necessarily reflect TI's views; see TI's [Terms of Use](#).

10.4 Trademarks

TI E2E™ is a trademark of Texas Instruments.

All trademarks are the property of their respective owners.

10.5 Electrostatic Discharge Caution



This integrated circuit can be damaged by ESD. Texas Instruments recommends that all integrated circuits be handled with appropriate precautions. Failure to observe proper handling and installation procedures can cause damage.

ESD damage can range from subtle performance degradation to complete device failure. Precision integrated circuits may be more susceptible to damage because very small parametric changes could cause the device not to meet its published specifications.

10.6 Glossary

[TI Glossary](#) This glossary lists and explains terms, acronyms, and definitions.

11 Revision History

NOTE: Page numbers for previous revisions may differ from page numbers in the current version.

| Changes from Revision C (August 2021) to Revision D (July 2024) | Page |
|---|------|
| • Update HBM ESD value on PW and RUM package..... | 5 |
| • Updated IIH max specification..... | 7 |

| Changes from Revision B (April 2021) to Revision C (August 2021) | Page |
|---|------|
| • Added the QFN packages for TMUX7211, TMUX7212, and TMUX7213..... | 1 |
| • Added ESD detail for RUM package..... | 5 |
| • Changed THD+N typical for 12V supply..... | 14 |
| • Added the <i>Integrated Pull-Down Resistor on Logic Pins</i> section..... | 26 |
| • Updated the <i>Ultra-Low Charge Injection</i> section..... | 27 |
| • Updated the <i>TMUX721x Layout Example</i> figure in the <i>Layout Example</i> section..... | 32 |

| Changes from Revision A (March 2021) to Revision B (April 2021) | Page |
|---|------|
| • Included Break-before-make time delay for TMUX7213 | 8 |
| • Updated the <i>Charge Injection Compensation</i> figure..... | 27 |

| Changes from Revision * (December 2020) to Revision A (March 2021) | Page |
|--|------|
| • Added high current support for WQFN in Features section..... | 1 |
| • Added thermal information for QFN package..... | 6 |
| • Updated I _{DC} specs for TSSOP package in <i>Source or Drain Continuous Current</i> table | 6 |
| • Added I _{DC} specs for QFN package in <i>Source or Drain Continuous Current</i> table | 6 |
| • Updated V _{DD} rise time value from 100ns to 1µs in T _{ON(VDD)} test condition..... | 8 |
| • Updated C _L value from 1nF to 100pF in Charge Injection test condition..... | 8 |
| • Updated Figure 7-10 <i>Leakage Current vs. Temperature</i> | 15 |

12 Mechanical, Packaging, and Orderable Information

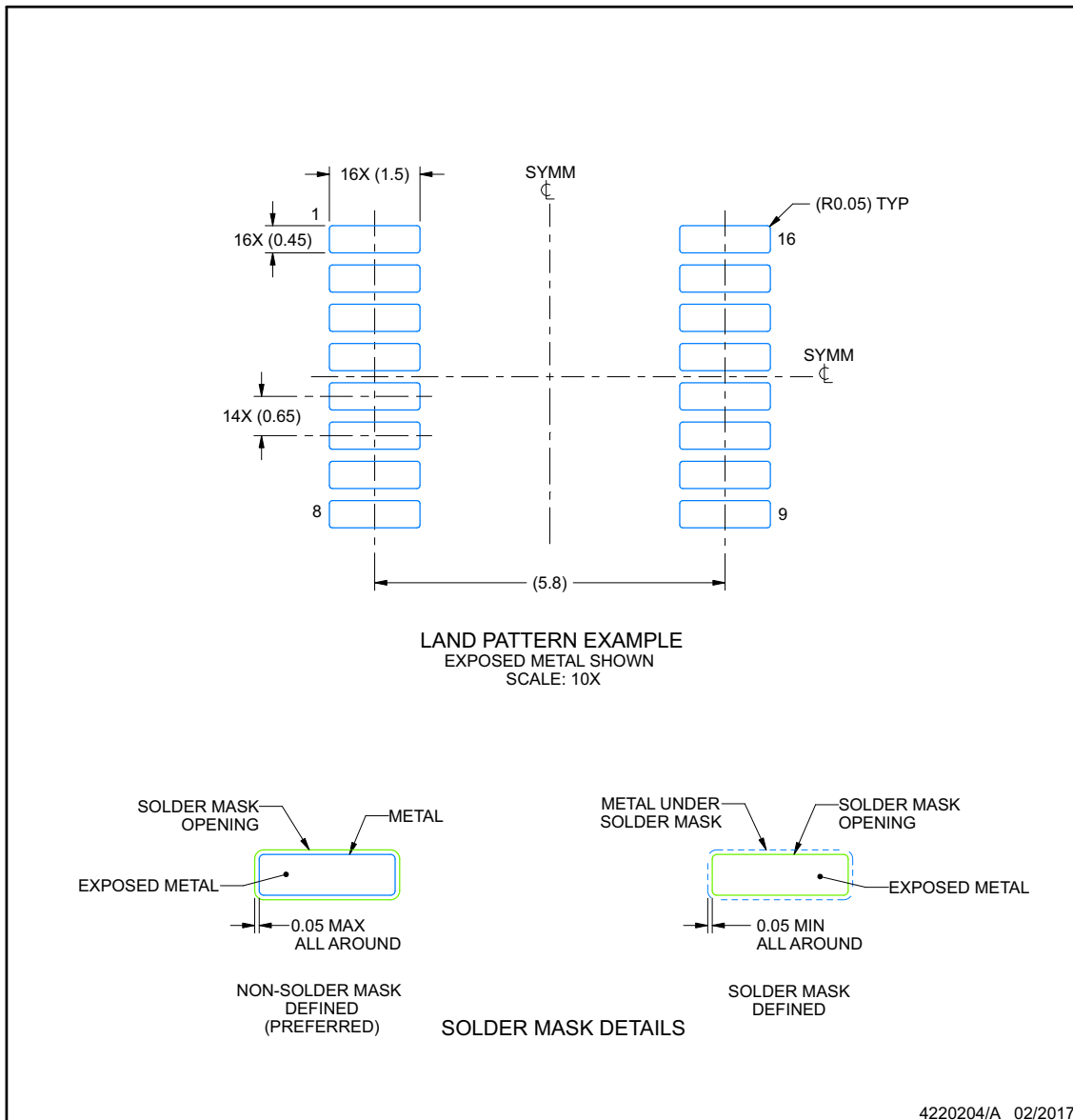
The following pages include mechanical, packaging, and orderable information. This information is the most current data available for the designated devices. This data is subject to change without notice and revision of this document. For browser-based versions of this data sheet, refer to the left-hand navigation.

EXAMPLE BOARD LAYOUT

PW0016A

TSSOP - 1.2 mm max height

SMALL OUTLINE PACKAGE



NOTES: (continued)

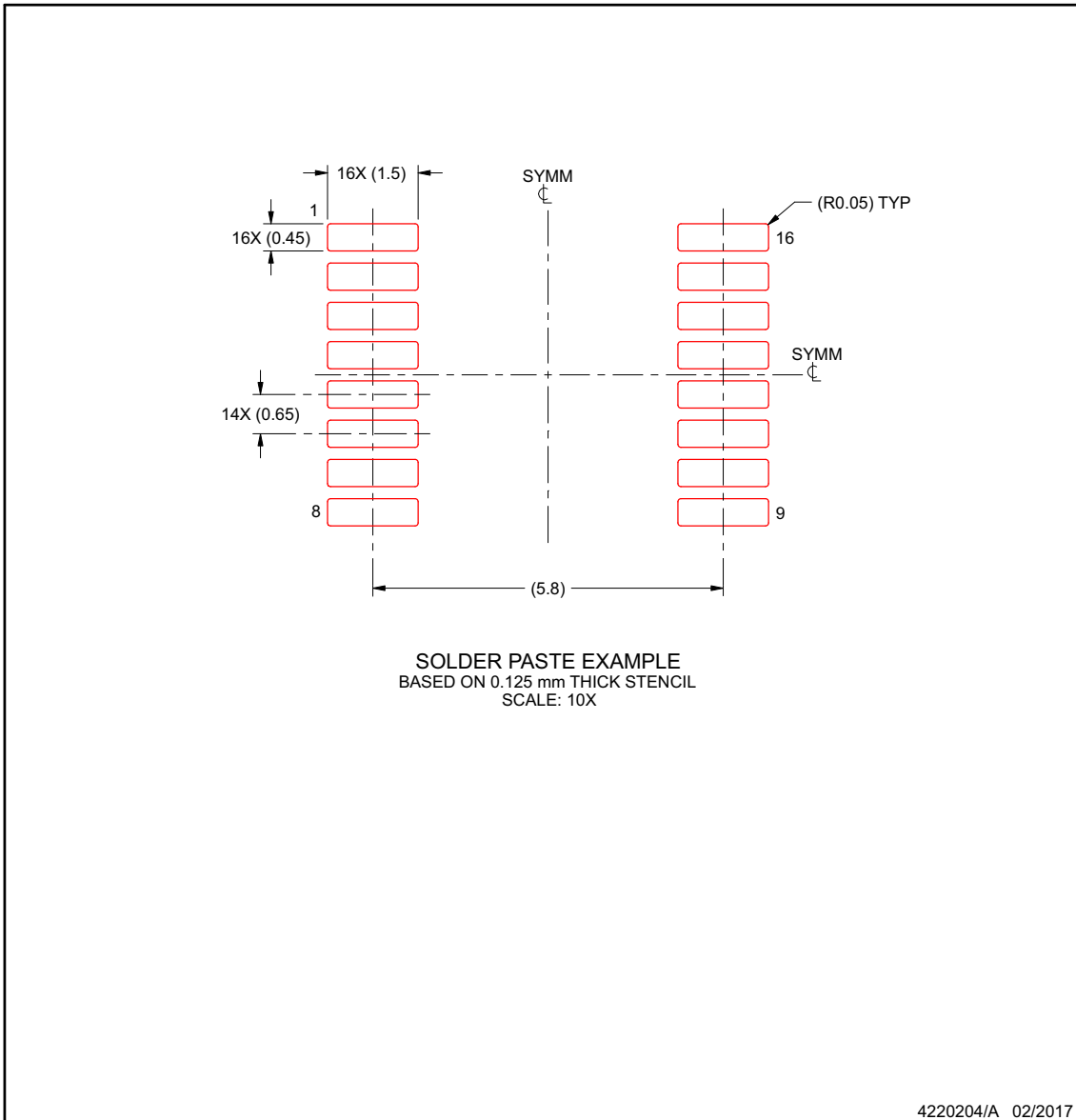
- 6. Publication IPC-7351 may have alternate designs.
- 7. Solder mask tolerances between and around signal pads can vary based on board fabrication site.

EXAMPLE STENCIL DESIGN

PW0016A

TSSOP - 1.2 mm max height

SMALL OUTLINE PACKAGE



NOTES: (continued)

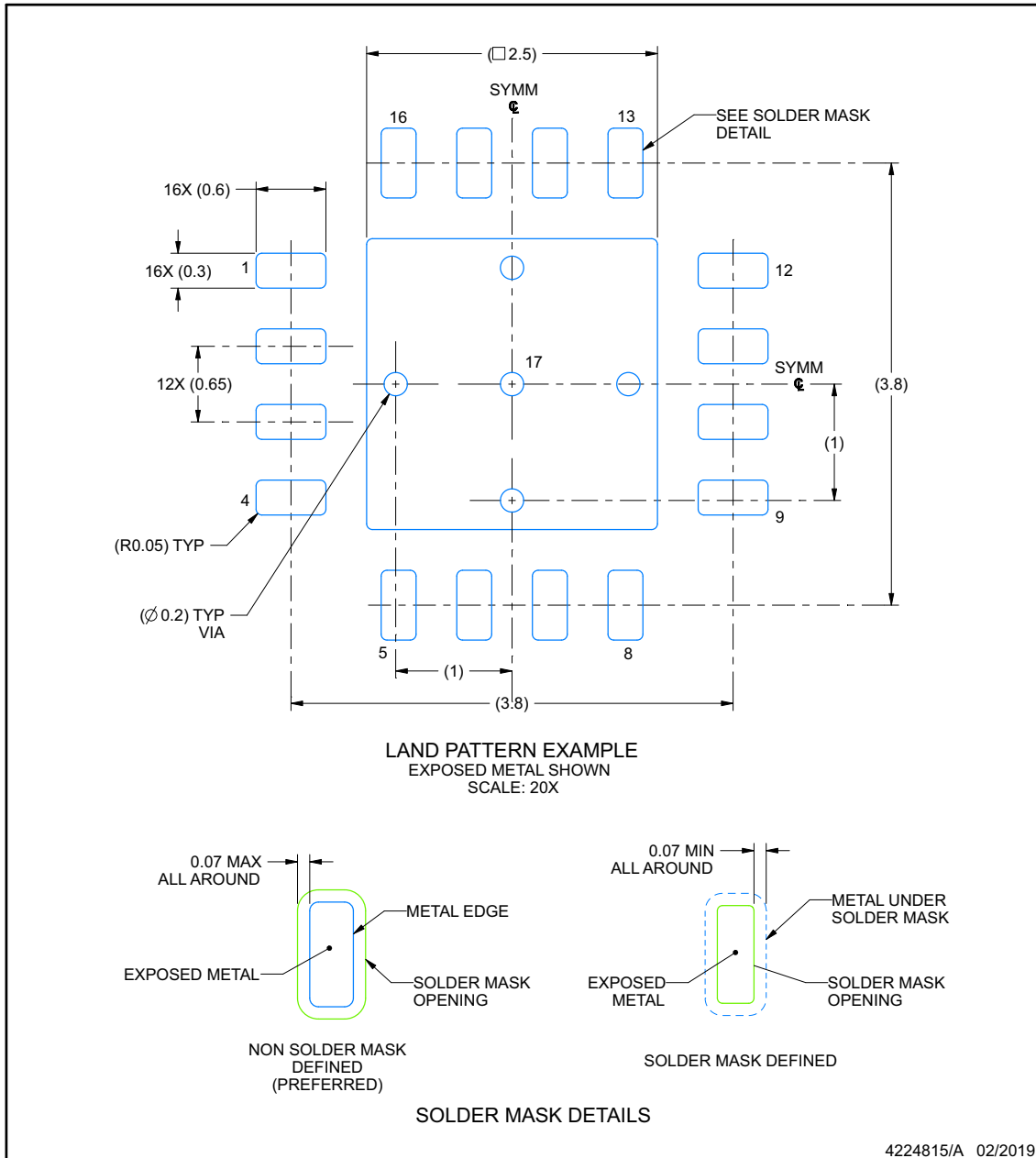
- 8. Laser cutting apertures with trapezoidal walls and rounded corners may offer better paste release. IPC-7525 may have alternate design recommendations.
- 9. Board assembly site may have different recommendations for stencil design.

EXAMPLE BOARD LAYOUT

RUM0016E

WQFN - 0.8 mm max height

PLASTIC QUAD FLATPACK - NO LEAD



NOTES: (continued)

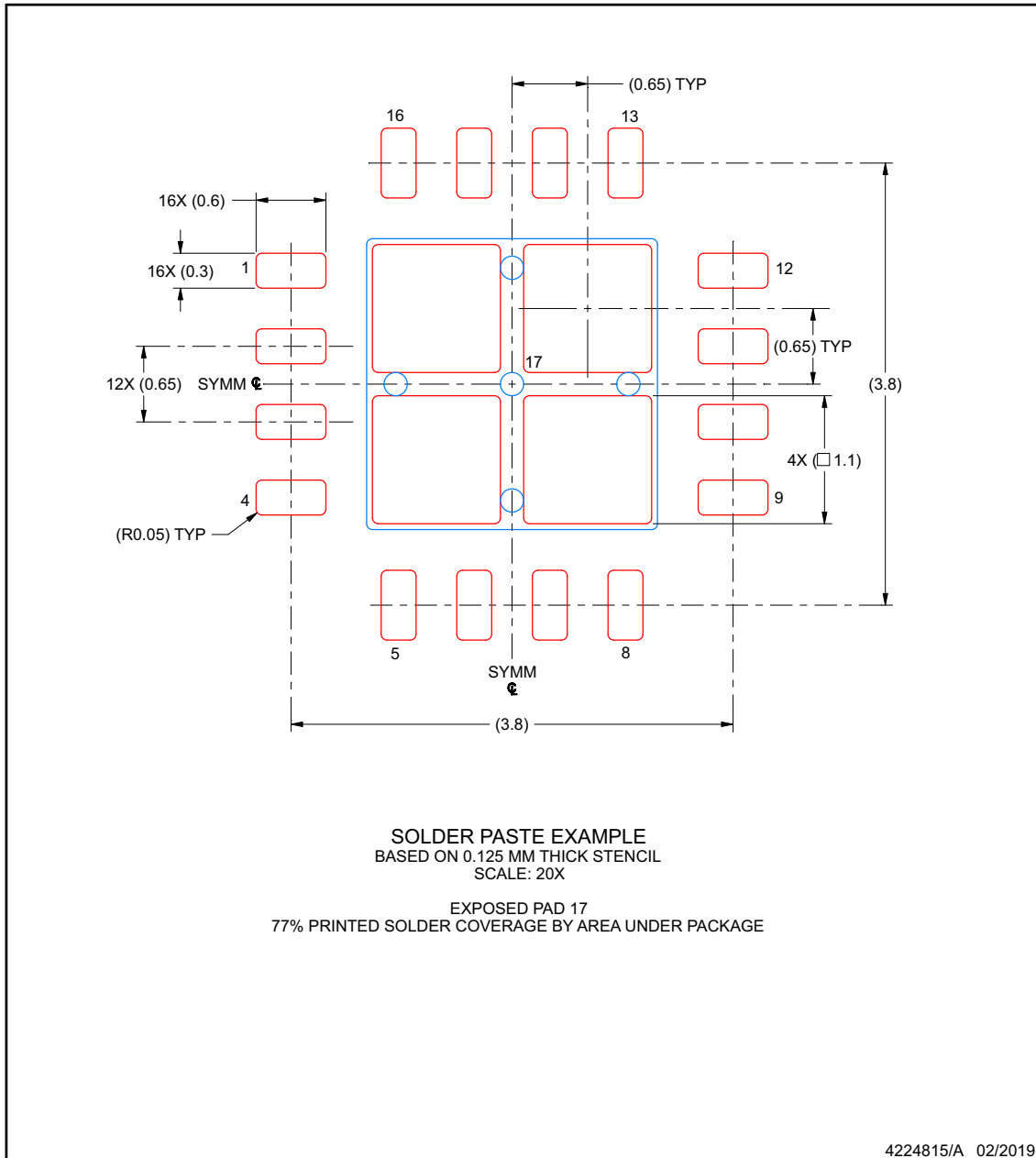
4. This package is designed to be soldered to a thermal pad on the board. For more information, see Texas Instruments literature number SLUA271 (www.ti.com/lit/sl原因271).
5. Vias are optional depending on application, refer to device data sheet. If any vias are implemented, refer to their locations shown on this view. It is recommended that vias under paste be filled, plugged or tented.

EXAMPLE STENCIL DESIGN

RUM0016E

WQFN - 0.8 mm max height

PLASTIC QUAD FLATPACK - NO LEAD



NOTES: (continued)

6. Laser cutting apertures with trapezoidal walls and rounded corners may offer better paste release. IPC-7525 may have alternate design recommendations.

PACKAGING INFORMATION

| Orderable part number | Status (1) | Material type (2) | Package Pins | Package qty Carrier | RoHS (3) | Lead finish/ Ball material (4) | MSL rating/ Peak reflow (5) | Op temp (°C) | Part marking (6) |
|------------------------------|---------------|----------------------|-----------------|-----------------------|-------------|--------------------------------------|-----------------------------------|--------------|---------------------|
| TMUX7211PWR | Active | Production | TSSOP (PW) 16 | 2000 LARGE T&R | Yes | NIPDAU | Level-1-260C-UNLIM | -40 to 125 | X211 |
| TMUX7211PWR.B | Active | Production | TSSOP (PW) 16 | 2000 LARGE T&R | Yes | NIPDAU | Level-1-260C-UNLIM | -40 to 125 | X211 |
| TMUX7211RUMR | Active | Production | WQFN (RUM) 16 | 3000 LARGE T&R | Yes | NIPDAU | Level-1-260C-UNLIM | -40 to 125 | TMUX X211 |
| TMUX7211RUMR.B | Active | Production | WQFN (RUM) 16 | 3000 LARGE T&R | Yes | NIPDAU | Level-1-260C-UNLIM | -40 to 125 | TMUX X211 |
| TMUX7211RUMRG4 | Active | Production | WQFN (RUM) 16 | 3000 LARGE T&R | Yes | NIPDAU | Level-1-260C-UNLIM | -40 to 125 | TMUX X211 |
| TMUX7211RUMRG4.B | Active | Production | WQFN (RUM) 16 | 3000 LARGE T&R | Yes | NIPDAU | Level-1-260C-UNLIM | -40 to 125 | TMUX X211 |
| TMUX7212PWR | Active | Production | TSSOP (PW) 16 | 2000 LARGE T&R | Yes | NIPDAU | Level-1-260C-UNLIM | -40 to 125 | X212 |
| TMUX7212PWR.B | Active | Production | TSSOP (PW) 16 | 2000 LARGE T&R | Yes | NIPDAU | Level-1-260C-UNLIM | -40 to 125 | X212 |
| TMUX7212RUMR | Active | Production | WQFN (RUM) 16 | 3000 LARGE T&R | Yes | NIPDAU | Level-1-260C-UNLIM | -40 to 125 | TMUX X212 |
| TMUX7212RUMR.B | Active | Production | WQFN (RUM) 16 | 3000 LARGE T&R | Yes | NIPDAU | Level-1-260C-UNLIM | -40 to 125 | TMUX X212 |
| TMUX7212RUMRG4 | Active | Production | WQFN (RUM) 16 | 3000 LARGE T&R | Yes | NIPDAU | Level-1-260C-UNLIM | -40 to 125 | TMUX X212 |
| TMUX7212RUMRG4.B | Active | Production | WQFN (RUM) 16 | 3000 LARGE T&R | Yes | NIPDAU | Level-1-260C-UNLIM | -40 to 125 | TMUX X212 |
| TMUX7213PWR | Active | Production | TSSOP (PW) 16 | 2000 LARGE T&R | Yes | NIPDAU | Level-1-260C-UNLIM | -40 to 125 | X213 |
| TMUX7213PWR.B | Active | Production | TSSOP (PW) 16 | 2000 LARGE T&R | Yes | NIPDAU | Level-1-260C-UNLIM | -40 to 125 | X213 |
| TMUX7213RUMR | Active | Production | WQFN (RUM) 16 | 3000 LARGE T&R | Yes | NIPDAU | Level-1-260C-UNLIM | -40 to 125 | TMUX X213 |
| TMUX7213RUMR.B | Active | Production | WQFN (RUM) 16 | 3000 LARGE T&R | Yes | NIPDAU | Level-1-260C-UNLIM | -40 to 125 | TMUX X213 |

(1) **Status:** For more details on status, see our [product life cycle](#).

(2) **Material type:** When designated, preproduction parts are prototypes/experimental devices, and are not yet approved or released for full production. Testing and final process, including without limitation quality assurance, reliability performance testing, and/or process qualification, may not yet be complete, and this item is subject to further changes or possible discontinuation. If available for ordering, purchases will be subject to an additional waiver at checkout, and are intended for early internal evaluation purposes only. These items are sold without warranties of any kind.

(3) **RoHS values:** Yes, No, RoHS Exempt. See the [TI RoHS Statement](#) for additional information and value definition.

(4) **Lead finish/Ball material:** Parts may have multiple material finish options. Finish options are separated by a vertical ruled line. Lead finish/Ball material values may wrap to two lines if the finish value exceeds the maximum column width.

(5) **MSL rating/Peak reflow:** The moisture sensitivity level ratings and peak solder (reflow) temperatures. In the event that a part has multiple moisture sensitivity ratings, only the lowest level per JEDEC standards is shown. Refer to the shipping label for the actual reflow temperature that will be used to mount the part to the printed circuit board.

(6) **Part marking:** There may be an additional marking, which relates to the logo, the lot trace code information, or the environmental category of the part.

Multiple part markings will be inside parentheses. Only one part marking contained in parentheses and separated by a "~" will appear on a part. If a line is indented then it is a continuation of the previous line and the two combined represent the entire part marking for that device.

Important Information and Disclaimer: The information provided on this page represents TI's knowledge and belief as of the date that it is provided. TI bases its knowledge and belief on information provided by third parties, and makes no representation or warranty as to the accuracy of such information. Efforts are underway to better integrate information from third parties. TI has taken and continues to take reasonable steps to provide representative and accurate information but may not have conducted destructive testing or chemical analysis on incoming materials and chemicals. TI and TI suppliers consider certain information to be proprietary, and thus CAS numbers and other limited information may not be available for release.

In no event shall TI's liability arising out of such information exceed the total purchase price of the TI part(s) at issue in this document sold by TI to Customer on an annual basis.

TAPE AND REEL INFORMATION

QUADRANT ASSIGNMENTS FOR PIN 1 ORIENTATION IN TAPE


*All dimensions are nominal

| Device | Package Type | Package Drawing | Pins | SPQ | Reel Diameter (mm) | Reel Width W1 (mm) | A0 (mm) | B0 (mm) | K0 (mm) | P1 (mm) | W (mm) | Pin1 Quadrant |
|----------------|--------------|-----------------|------|------|--------------------|--------------------|---------|---------|---------|---------|--------|---------------|
| TMUX7211PWR | TSSOP | PW | 16 | 2000 | 330.0 | 12.4 | 6.9 | 5.6 | 1.6 | 8.0 | 12.0 | Q1 |
| TMUX7211RUMR | WQFN | RUM | 16 | 3000 | 330.0 | 12.4 | 4.25 | 4.25 | 1.15 | 8.0 | 12.0 | Q2 |
| TMUX7211RUMRG4 | WQFN | RUM | 16 | 3000 | 330.0 | 12.4 | 4.25 | 4.25 | 1.15 | 8.0 | 12.0 | Q2 |
| TMUX7212PWR | TSSOP | PW | 16 | 2000 | 330.0 | 12.4 | 6.9 | 5.6 | 1.6 | 8.0 | 12.0 | Q1 |
| TMUX7212RUMR | WQFN | RUM | 16 | 3000 | 330.0 | 12.4 | 4.25 | 4.25 | 1.15 | 8.0 | 12.0 | Q2 |
| TMUX7212RUMRG4 | WQFN | RUM | 16 | 3000 | 330.0 | 12.4 | 4.25 | 4.25 | 1.15 | 8.0 | 12.0 | Q2 |
| TMUX7213PWR | TSSOP | PW | 16 | 2000 | 330.0 | 12.4 | 6.9 | 5.6 | 1.6 | 8.0 | 12.0 | Q1 |
| TMUX7213RUMR | WQFN | RUM | 16 | 3000 | 330.0 | 12.4 | 4.25 | 4.25 | 1.15 | 8.0 | 12.0 | Q2 |

TAPE AND REEL BOX DIMENSIONS


*All dimensions are nominal

| Device | Package Type | Package Drawing | Pins | SPQ | Length (mm) | Width (mm) | Height (mm) |
|----------------|--------------|-----------------|------|------|-------------|------------|-------------|
| TMUX7211PWR | TSSOP | PW | 16 | 2000 | 356.0 | 356.0 | 35.0 |
| TMUX7211RUMR | WQFN | RUM | 16 | 3000 | 367.0 | 367.0 | 35.0 |
| TMUX7211RUMRG4 | WQFN | RUM | 16 | 3000 | 367.0 | 367.0 | 35.0 |
| TMUX7212PWR | TSSOP | PW | 16 | 2000 | 356.0 | 356.0 | 35.0 |
| TMUX7212RUMR | WQFN | RUM | 16 | 3000 | 367.0 | 367.0 | 35.0 |
| TMUX7212RUMRG4 | WQFN | RUM | 16 | 3000 | 367.0 | 367.0 | 35.0 |
| TMUX7213PWR | TSSOP | PW | 16 | 2000 | 356.0 | 356.0 | 35.0 |
| TMUX7213RUMR | WQFN | RUM | 16 | 3000 | 367.0 | 367.0 | 35.0 |



4220204/A 02/2017

NOTES:

1. All linear dimensions are in millimeters. Any dimensions in parenthesis are for reference only. Dimensioning and tolerancing per ASME Y14.5M.
2. This drawing is subject to change without notice.
3. This dimension does not include mold flash, protrusions, or gate burrs. Mold flash, protrusions, or gate burrs shall not exceed 0.15 mm per side.
4. This dimension does not include interlead flash. Interlead flash shall not exceed 0.25 mm per side.
5. Reference JEDEC registration MO-153.

EXAMPLE BOARD LAYOUT

PW0016A

TSSOP - 1.2 mm max height

SMALL OUTLINE PACKAGE



LAND PATTERN EXAMPLE
EXPOSED METAL SHOWN
SCALE: 10X



4220204/A 02/2017

NOTES: (continued)

- 6. Publication IPC-7351 may have alternate designs.
- 7. Solder mask tolerances between and around signal pads can vary based on board fabrication site.

EXAMPLE STENCIL DESIGN

PW0016A

TSSOP - 1.2 mm max height

SMALL OUTLINE PACKAGE



SOLDER PASTE EXAMPLE
BASED ON 0.125 mm THICK STENCIL
SCALE: 10X

4220204/A 02/2017

NOTES: (continued)

8. Laser cutting apertures with trapezoidal walls and rounded corners may offer better paste release. IPC-7525 may have alternate design recommendations.
9. Board assembly site may have different recommendations for stencil design.

GENERIC PACKAGE VIEW

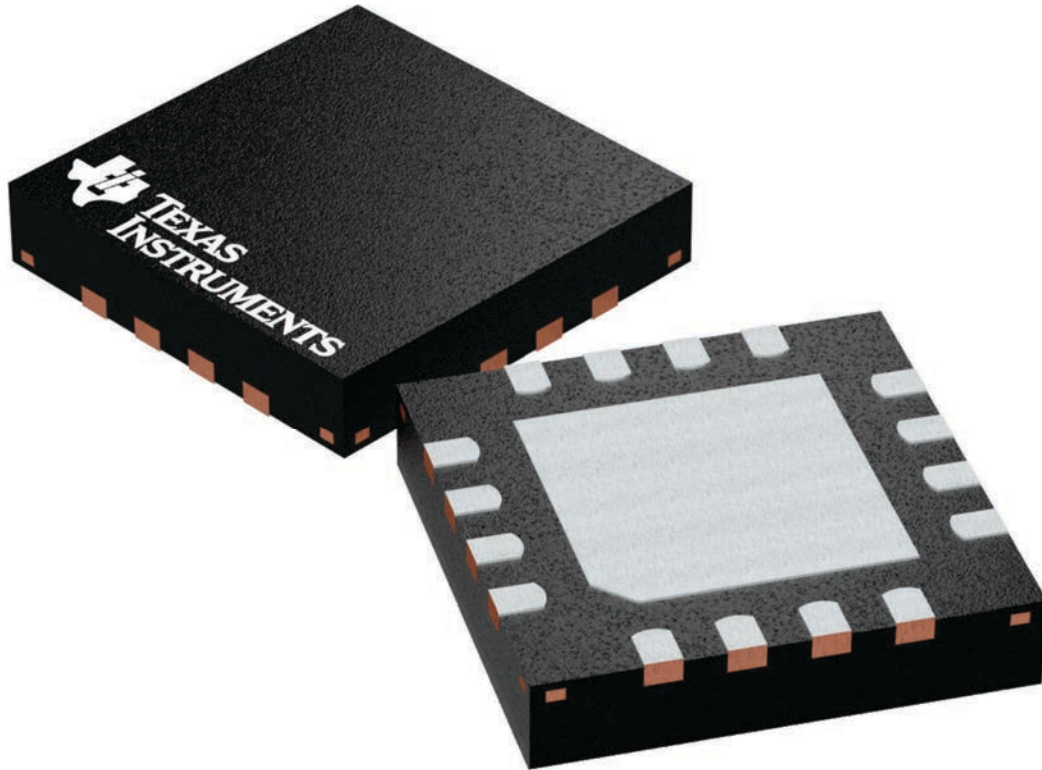
RUM 16

WQFN - 0.8 mm max height

4 x 4, 0.65 mm pitch

PLASTIC QUAD FLATPACK - NO LEAD

This image is a representation of the package family, actual package may vary.
Refer to the product data sheet for package details.



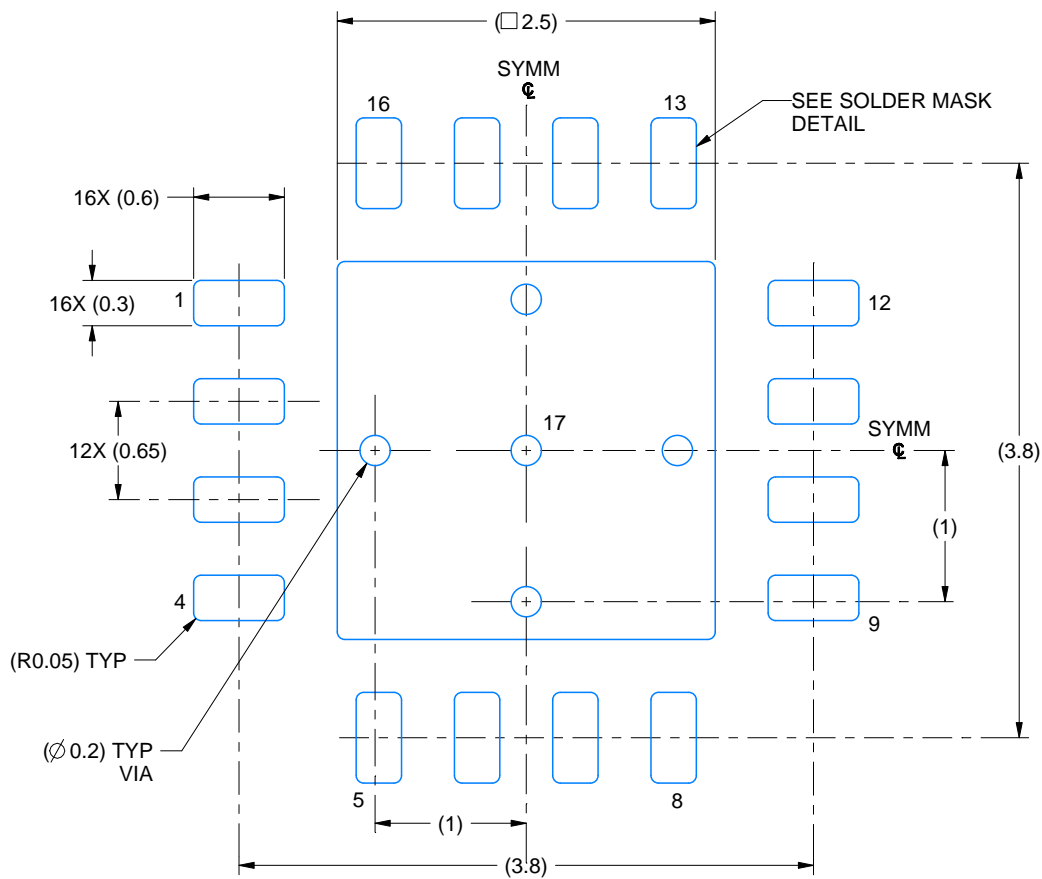
4224843/A

EXAMPLE BOARD LAYOUT

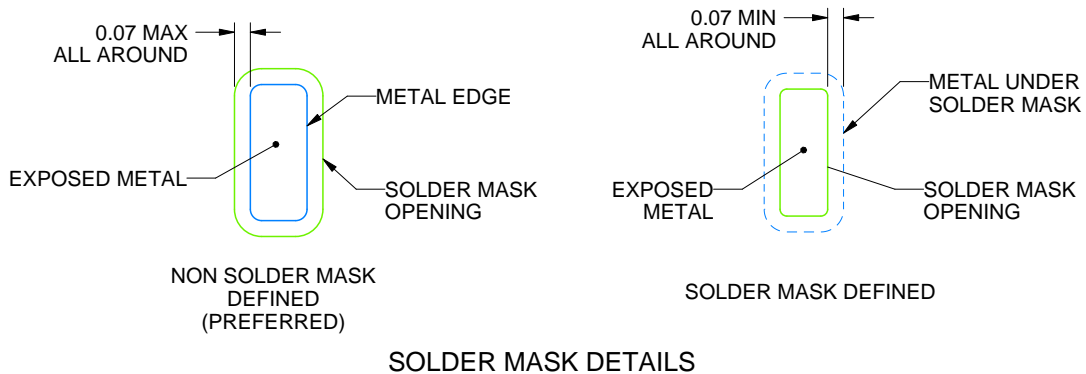
RUM0016E

WQFN - 0.8 mm max height

PLASTIC QUAD FLATPACK - NO LEAD



LAND PATTERN EXAMPLE
EXPOSED METAL SHOWN
SCALE: 20X



4224815/A 02/2019

NOTES: (continued)

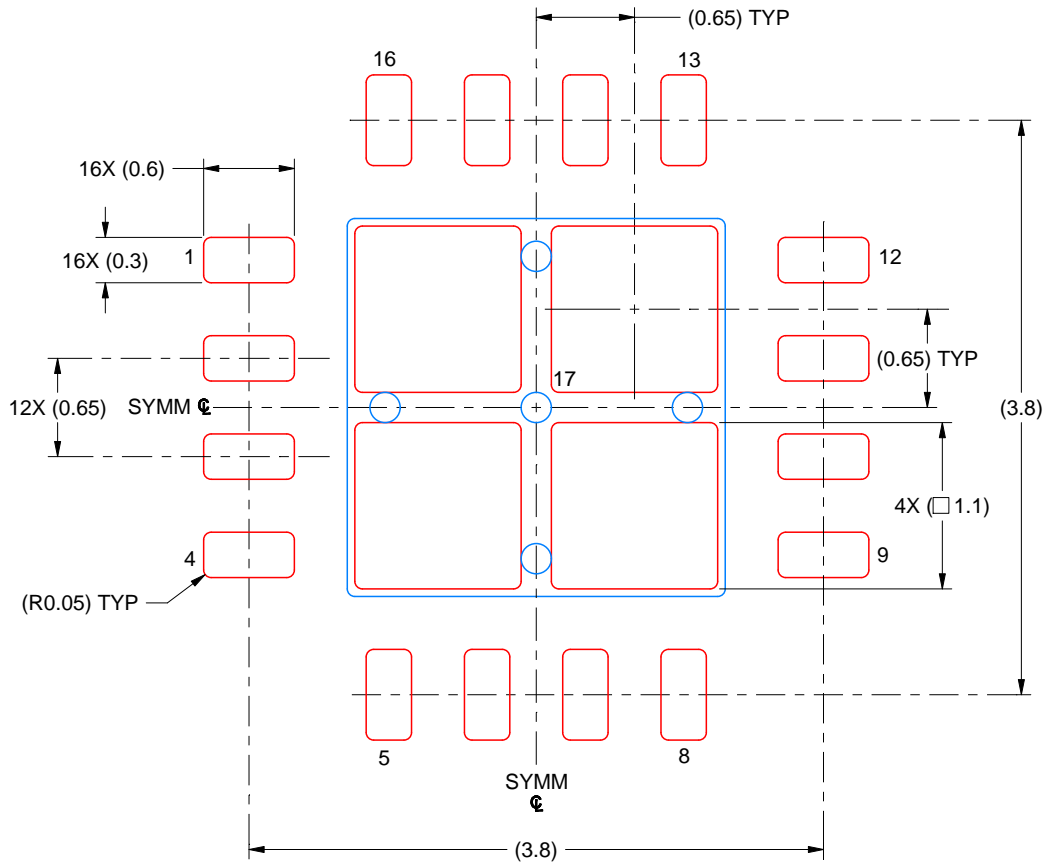
4. This package is designed to be soldered to a thermal pad on the board. For more information, see Texas Instruments literature number SLUA271 (www.ti.com/lit/sluea271).
5. Vias are optional depending on application, refer to device data sheet. If any vias are implemented, refer to their locations shown on this view. It is recommended that vias under paste be filled, plugged or tented.

EXAMPLE STENCIL DESIGN

RUM0016E

WQFN - 0.8 mm max height

PLASTIC QUAD FLATPACK - NO LEAD



SOLDER PASTE EXAMPLE
 BASED ON 0.125 MM THICK STENCIL
 SCALE: 20X

EXPOSED PAD 17
 77% PRINTED SOLDER COVERAGE BY AREA UNDER PACKAGE

4224815/A 02/2019

NOTES: (continued)

6. Laser cutting apertures with trapezoidal walls and rounded corners may offer better paste release. IPC-7525 may have alternate design recommendations.

IMPORTANT NOTICE AND DISCLAIMER

TI PROVIDES TECHNICAL AND RELIABILITY DATA (INCLUDING DATA SHEETS), DESIGN RESOURCES (INCLUDING REFERENCE DESIGNS), APPLICATION OR OTHER DESIGN ADVICE, WEB TOOLS, SAFETY INFORMATION, AND OTHER RESOURCES "AS IS" AND WITH ALL FAULTS, AND DISCLAIMS ALL WARRANTIES, EXPRESS AND IMPLIED, INCLUDING WITHOUT LIMITATION ANY IMPLIED WARRANTIES OF MERCHANTABILITY, FITNESS FOR A PARTICULAR PURPOSE OR NON-INFRINGEMENT OF THIRD PARTY INTELLECTUAL PROPERTY RIGHTS.

These resources are intended for skilled developers designing with TI products. You are solely responsible for (1) selecting the appropriate TI products for your application, (2) designing, validating and testing your application, and (3) ensuring your application meets applicable standards, and any other safety, security, regulatory or other requirements.

These resources are subject to change without notice. TI grants you permission to use these resources only for development of an application that uses the TI products described in the resource. Other reproduction and display of these resources is prohibited. No license is granted to any other TI intellectual property right or to any third party intellectual property right. TI disclaims responsibility for, and you will fully indemnify TI and its representatives against, any claims, damages, costs, losses, and liabilities arising out of your use of these resources.

TI's products are provided subject to [TI's Terms of Sale](#) or other applicable terms available either on [ti.com](https://www.ti.com) or provided in conjunction with such TI products. TI's provision of these resources does not expand or otherwise alter TI's applicable warranties or warranty disclaimers for TI products.

TI objects to and rejects any additional or different terms you may have proposed.

Mailing Address: Texas Instruments, Post Office Box 655303, Dallas, Texas 75265

Copyright © 2025, Texas Instruments Incorporated