

# UCC2154x Reinforced Isolation Dual-Channel Gate Driver With 3.3mm Channel-to-Channel Spacing Option

## 1 Features

- Wide body package options
  - DW SOIC-16: pin-2-pin to [UCC21520](#)
  - DWK SOIC-14: 3.3 mm Ch-2-Ch spacing
- Up to 4A peak source and 6A peak sink output
- Up to 18V VDD output drive supply
  - 5V and 8V VDD UVLO options
- CMTI greater than 125V/ns
- Switching parameters:
  - 33ns typical propagation delay
  - 6ns maximum pulse-width distortion
  - 10µs maximum VDD power-up delay
- Resistor-programmable dead time
- TTL and CMOS compatible inputs
- Safety-related certifications (planned):
  - 8000V<sub>PK</sub> reinforced isolation per DIN EN IEC 60747-17 (VDE 0884-17)
  - 5700V<sub>RMS</sub> isolation for 1 minute per UL 1577
  - CQC certification per GB4943.1-2022

## 2 Applications

- Isolated AC-to-DC and DC-to-DC power supplies
- Server, telecom, IT and industrial infrastructures
- Motor drives and solar inverters
- Industrial transportation

## 3 Description

The UCC2154x is an isolated dual channel gate driver family designed with up to 4 A/6 A peak source/sink current to drive power MOSFET, IGBT, and GaN transistors. UCC2154x in DWK package also offers 3.3-mm minimum channel-to-channel spacing, which facilitates higher bus voltage.

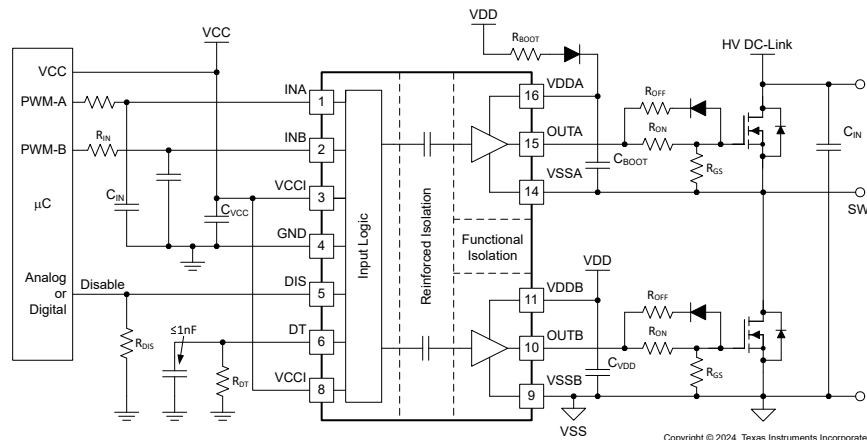
The UCC2154x family can be configured as two low-side drivers, two high-side drivers, or a half-bridge driver. The input side is isolated from the two output drivers by a 5.7-kV<sub>RMS</sub> isolation barrier, with a minimum of 125-V/ns common-mode transient immunity (CMTI).

Protection features include: resistor programmable dead time, disable feature to shut down both outputs simultaneously, and negative voltage handling for up to –5-V spikes for 50 ns on input pins. All supplies have UVLO protection.

### Device Information (1)

| PART NUMBER  | I <sub>PK</sub> | REC. VDD SUPPLY MIN | PACKAGE       |
|--------------|-----------------|---------------------|---------------|
| UCC21540DW   | 4.0 A/6.0 A     | 9.2 V               | DW (SOIC 16)  |
| UCC21540ADWK | 4.0 A/6.0 A     | 6.0 V               | DWK (SOIC 14) |
| UCC21541DW   | 1.5 A/2.5 A     | 9.2 V               | DW (SOIC 16)  |
| UCC21542DWK  | 4.0 A/6.0 A     | 9.2 V               | DWK (SOIC 14) |
| UCC21542ADWK | 4.0 A/6.0 A     | 6.0 V               | DWK (SOIC 14) |

(1) For all available packages, see [Section 14](#).



**Typical Application**



## Table of Contents

|   |    |  |    |
|---|----|--|----|
| <b>1 Features</b> .....                               | 1  | 7.6 Power-Up UVLO Delay to OUTPUT.....                           | 19 |
| <b>2 Applications</b> .....                           | 1  | 7.7 CMTI Testing.....  | 20 |
| <b>3 Description</b> .....                            | 1  | <b>8 Detailed Description</b> .....                              | 21 |
| <b>4 Device Comparison Table</b> .....                | 3  | 8.1 Overview.....  | 21 |
| <b>5 Pin Configuration and Functions</b> .....        | 3  | 8.2 Functional Block Diagram.....                                | 21 |
| 5.1 Pin Configuration and Functions.....              | 3  | 8.3 Feature Description.....                                     | 22 |
| 5.2 UCC21542 Pin Functions.....                       | 4  | 8.4 Device Functional Modes.....                                 | 25 |
| <b>6 Specifications</b> .....                         | 6  | <b>9 Application and Implementation</b> .....                    | 27 |
| 6.1 Absolute Maximum Ratings.....                     | 6  | 9.1 Application Information.....                                 | 27 |
| 6.2 ESD Ratings.....                                  | 6  | 9.2 Typical Application.....                                     | 27 |
| 6.3 Recommended Operating Conditions.....             | 6  | <b>10 Power Supply Recommendations</b> .....                     | 37 |
| 6.4 Thermal Information.....                          | 7  | <b>11 Layout</b> .....   | 38 |
| 6.5 Power Ratings.....                                | 7  | 11.1 Layout Guidelines.....                                      | 38 |
| 6.6 Insulation Specifications.....                    | 7  | 11.2 Layout Example.....   | 39 |
| 6.7 Safety-Limiting Values.....                       | 8  | <b>12 Device and Documentation Support</b> .....                 | 41 |
| 6.8 Electrical Characteristics.....                   | 10 | 12.1 Third-Party Products Disclaimer.....                        | 41 |
| 6.9 Switching Characteristics.....                    | 11 | 12.2 Documentation Support.....                                  | 41 |
| 6.10 Insulation Characteristics Curves.....           | 12 | 12.3 Receiving Notification of Documentation Updates.....        | 41 |
| 6.11 Typical Characteristics.....                     | 14 | 12.4 Support Resources.....                                      | 41 |
| <b>7 Parameter Measurement Information</b> .....      | 17 | 12.5 Trademarks.....   | 41 |
| 7.1 Minimum Pulses.....                               | 17 | 12.6 Electrostatic Discharge Caution.....                        | 41 |
| 7.2 Propagation Delay and Pulse Width Distortion..... | 17 | 12.7 Glossary.....   | 41 |
| 7.3 Rising and Falling Time.....                      | 17 | <b>13 Revision History</b> .....                                 | 41 |
| 7.4 Input and Disable Response Time.....              | 18 | <b>14 Mechanical, Packaging, and Orderable Information</b> ..... | 43 |
| 7.5 Programmable Dead Time.....                       | 18 |  |    |

## 4 Device Comparison Table

| DEVICE OPTIONS | UVLO  | PEAK CURRENT             | DEADTIME FUNCTION | PACKAGE |
|----------------|-------|--------------------------|-------------------|---------|
| UCC21540DW     | 8.0-V | 4-A Source, 6-A Sink     | Yes               | SOIC-16 |
| UCC21540ADW    | 5.0-V | 4-A Source, 6-A Sink     | Yes               | SOIC-16 |
| UCC21540DWK    | 8.0-V | 4-A Source, 6-A Sink     | Yes               | SOIC-14 |
| UCC21540ADWK   | 5.0-V | 4-A Source, 6-A Sink     | Yes               | SOIC-14 |
| UCC21541DW     | 8.0-V | 1.5-A Source, 2.5-A Sink | Yes               | SOIC-16 |
| UCC21542DW     | 8.0-V | 4-A Source, 6-A Sink     | No                | SOIC-16 |
| UCC21542DWK    | 8.0-V | 4-A Source, 6-A Sink     | No                | SOIC-14 |
| UCC21542ADWK   | 5.0-V | 4-A Source, 6-A Sink     | No                | SOIC-14 |

## 5 Pin Configuration and Functions

### 5.1 Pin Configuration and Functions

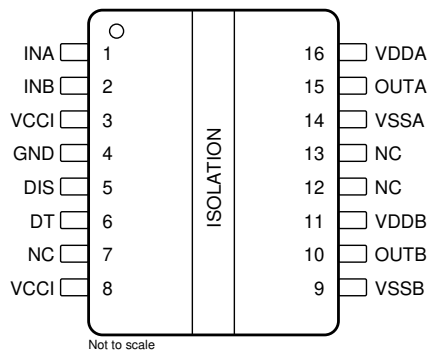


Figure 5-1. DW Package 16-Pin SOIC Top View

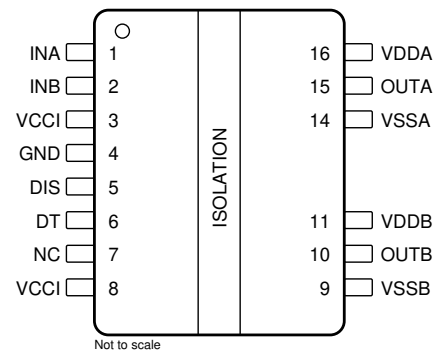


Figure 5-2. DWK Package 14-Pin SOIC Top View

Table 5-1. Pin Functions

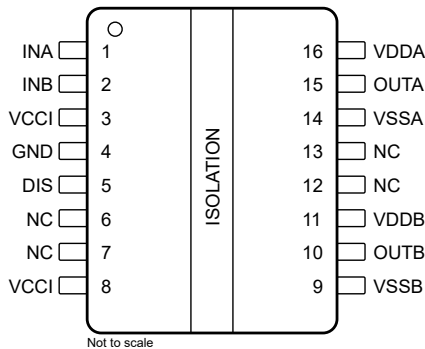
| PIN  |     | TYPE <sup>(1)</sup> | DESCRIPTION  |
|------|-----|---------------------|--|
| NAME | NO. |                     |  |
| DIS  | 5   | I                   | Disables both driver outputs if asserted high, enables if set low. It is recommended to tie this pin to ground if not used to achieve better noise immunity. Bypass using a $\approx 1$ -nF low ESR/ESL capacitor close to DIS pin when connecting to a $\mu$ C with distance.   |
| DT   | 6   | I                   | DT pin configuration: <ul style="list-style-type: none"> <li>Tying DT to VCCI disables the DT feature and allows the outputs to overlap.</li> <li>Placing a resistor (<math>R_{DT}</math>) between DT and GND adjusts dead time according to the equation: <math>DT</math> (in ns) = <math>10 \times R_{DT}</math> (in k<math>\Omega</math>). TI recommends bypassing this pin with a <math>\leq 1</math>nF ceramic capacitor close to DT pin to achieve better noise immunity. It is not recommended to leave DT floating.</li> </ul> |
| GND  | 4   | P                   | Primary-side ground reference. All signals in the primary side are referenced to this ground.  |
| INA  | 1   | I                   | Input signal for A channel. INA input has a TTL/CMOS compatible input threshold. This pin is pulled low internally if left open. It is recommended to tie this pin to ground if not used to achieve better noise immunity.   |
| INB  | 2   | I                   | Input signal for B channel. INB input has a TTL/CMOS compatible input threshold. This pin is pulled low internally if left open. It is recommended to tie this pin to ground if not used to achieve better noise immunity.   |
| NC   | 7   | —                   | No internal connection. This pin can be left floating, tied to VCCI, or tied to GND.   |
| NC   | 12  | —                   | No internal connection. Recommended to leave floating for maximum creepage from driver A to driver B as needed.<br>For the SOIC-14 DWK Package, pin 12 and pin 13 are removed.   |
|      | 13  |                     |  |
| OUTA | 15  | O                   | Output of driver A. Connect to the gate of the A channel FET or IGBT.  |

**Table 5-1. Pin Functions (continued)**

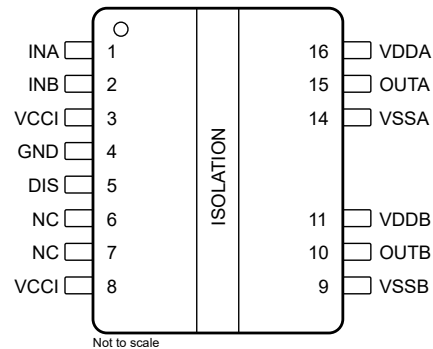
| PIN  |     | TYPE <sup>(1)</sup> | DESCRIPTION  |
|------|-----|---------------------|--|
| NAME | NO. |                     |  |
| OUTB | 10  | O                   | Output of driver B. Connect to the gate of the B channel FET or IGBT.  |
| VCCI | 3   | P                   | Primary-side supply voltage. Locally decoupled to GND using a low ESR/ESL capacitor located as close to the device as possible.        |
| VCCI | 8   | P                   | This pin is internally shorted to pin 3.<br>Preference should be given to bypassing pin 3-4 instead of pins 8-4.                       |
| VDDA | 16  | P                   | Secondary-side power for driver A. Locally decoupled to VSSA using a low ESR/ESL capacitor located as close to the device as possible. |
| VDDB | 11  | P                   | Secondary-side power for driver B. Locally decoupled to VSSB using a low ESR/ESL capacitor located as close to the device as possible. |
| VSSA | 14  | P                   | Ground for secondary-side driver A. Ground reference for secondary side A channel.   |
| VSSB | 9   | P                   | Ground for secondary-side driver B. Ground reference for secondary side B channel.   |

(1) P = power, I = input, O = output

## 5.2 UCC21542 Pin Functions



**Figure 5-3. DW Package 16-Pin SOIC Top View**



**Figure 5-4. DWK Package 14-Pin SOIC Top View**

**Table 5-2. UCC21542 Pin Functions**

| PIN  |     | TYPE <sup>(1)</sup> | DESCRIPTION  |
|------|-----|---------------------|--|
| NAME | NO. |                     |  |
| DIS  | 5   | I                   | Disables both driver outputs if asserted high, enables if set low. It is recommended to tie this pin to ground if not used to achieve better noise immunity. Bypass using a $\approx 1$ -nF low ESR/ESL capacitor close to DIS pin when connecting to a $\mu$ C with distance. |
| NC   | 6   | I                   | No internal connection. This pin can be left floating, tied to VCCI, or tied to GND.   |
| GND  | 4   | P                   | Primary-side ground reference. All signals in the primary side are referenced to this ground.  |
| INA  | 1   | I                   | Input signal for A channel. INA input has a TTL/CMOS compatible input threshold. This pin is pulled low internally if left open. It is recommended to tie this pin to ground if not used to achieve better noise immunity.   |
| INB  | 2   | I                   | Input signal for B channel. INB input has a TTL/CMOS compatible input threshold. This pin is pulled low internally if left open. It is recommended to tie this pin to ground if not used to achieve better noise immunity.   |
| NC   | 7   | —                   | No internal connection. This pin can be left floating, tied to VCCI, or tied to GND.   |
| NC   | 12  | —                   | No internal connection. Recommended to leave floating for maximum creepage from driver A to driver B as needed.<br>For SOIC-14 DWK Package, pin 12 and pin 13 are removed.   |
|      | 13  |                     |  |
| OUTA | 15  | O                   | Output of driver A. Connect to the gate of the A channel FET or IGBT.  |
| OUTB | 10  | O                   | Output of driver B. Connect to the gate of the B channel FET or IGBT.  |
| VCCI | 3   | P                   | Primary-side supply voltage. Locally decoupled to GND using a low ESR/ESL capacitor located as close to the device as possible.  |

**Table 5-2. UCC21542 Pin Functions (continued)**

| PIN  |     | TYPE <sup>(1)</sup> | DESCRIPTION  |
|------|-----|---------------------|--|
| NAME | NO. |                     |  |
| VCCI | 8   | P                   | This pin is internally shorted to pin 3. Preference should be given to bypassing pin 3-4 instead of pins 8-4.                          |
| VDDA | 16  | P                   | Secondary-side power for driver A. Locally decoupled to VSSA using a low ESR/ESL capacitor located as close to the device as possible. |
| Vddb | 11  | P                   | Secondary-side power for driver B. Locally decoupled to VSSB using a low ESR/ESL capacitor located as close to the device as possible. |
| VSSA | 14  | P                   | Ground for secondary-side driver A. Ground reference for secondary side A channel.   |
| VSSB | 9   | P                   | Ground for secondary-side driver B. Ground reference for secondary side B channel.   |

(1) P = power, I = input, O = output

## 6 Specifications

### 6.1 Absolute Maximum Ratings

Over operating free-air temperature range (unless otherwise noted)<sup>(1)</sup>

|   |  | MIN  | MAX   | UNIT |
|---|--|------|---|------|
| Input bias pin supply voltage                       | VCCI to GND                                      | -0.3 | 20  | V    |
| Driver bias supply                                  | VDDA-VSSA, VDDB-VSSB                             | -0.3 | 30  | V    |
| Output signal voltage                               | OUTA to VSSA, OUTB to VSSB                       | -0.3 | V <sub>VDDA</sub> +0.3,<br>V <sub>VDDB</sub> +0.3 | V    |
|   | OUTA to VSSA, OUTB to VSSB, Transient for 200 ns | -2   | V <sub>VDDA</sub> +0.3,<br>V <sub>VDDB</sub> +0.3 | V    |
| Input signal voltage                                | INA, INB, DIS and DT to GND                      | -0.3 | V <sub>VCCI</sub> +0.3                            | V    |
|   | INA, INB Transient to GND for 50ns               | -5   | V <sub>VCCI</sub> +0.3                            | V    |
| Channel to channel isolation voltage                | VSSA-VSSB  in DW Package                         |      | 1500  | V    |
|   | VSSA-VSSB  in DWK Package                        |      | 1850  |      |
| Junction temperature, T <sub>J</sub> <sup>(2)</sup> |  | -40  | 150   | °C   |
| Storage temperature, T <sub>stg</sub>               |  | -65  | 150   | °C   |

- Operation outside the Absolute Maximum Ratings may cause permanent device damage. Absolute Maximum Ratings do not imply functional operation of the device at these or any other conditions beyond those listed under Recommended Operating Conditions. If outside the Recommended Operating Conditions but within the Absolute Maximum Ratings, the device may not be fully functional, and this may affect device reliability, functionality, performance, and shorten the device lifetime.
- To maintain the recommended operating conditions for T<sub>J</sub>, see the [Section 6.4](#).

### 6.2 ESD Ratings

|  |  | VALUE | UNIT |
|--|--|-------|------|
| V <sub>(ESD)</sub> Electrostatic discharge | Human-body model (HBM), per ANSI/ESDA/JEDEC JS-001 <sup>(1)</sup>              | ±2000 | V    |
|  | Charged-device model (CDM), per JEDEC specification JESD22-C101 <sup>(2)</sup> | ±1000 |      |

- JEDEC document JEP155 states that 500-V HBM allows safe manufacturing with a standard ESD control process.
- JEDEC document JEP157 states that 250-V CDM allows safe manufacturing with a standard ESD control process.

### 6.3 Recommended Operating Conditions

Over operating free-air temperature range (unless otherwise noted)

|                |                           | MIN   | MAX | UNIT |    |
|----------------|---------------------------|---|-----|------|----|
| VCCI           | VCCI Input supply voltage | 3   | 18  | V    |    |
| VDDA, VDDB     | Driver output bias supply | UCC21540A, UCC21542A – 5V UVLO Option         | 6.5 |      | 25 |
|                |                           | UCC21540, UCC21541, UCC21542 – 8V UVLO Option | 9.2 |      | 25 |
| T <sub>J</sub> | Junction Temperature      | -40   | 150 | °C   |    |

## 6.4 Thermal Information

| THERMAL METRIC <sup>(1)</sup> |  | UCC2154x   | UNIT |
|-------------------------------|--|------------|------|
|                               |  | DWK (SOIC) |      |
| R <sub>θJA</sub>              | Junction-to-ambient thermal resistance       | 74.1       | °C/W |
| R <sub>θJC(top)</sub>         | Junction-to-case (top) thermal resistance    | 34.1       | °C/W |
| R <sub>θJB</sub>              | Junction-to-board thermal resistance         | 32.8       | °C/W |
| Ψ <sub>JT</sub>               | Junction-to-top characterization parameter   | 23.7       | °C/W |
| Ψ <sub>JB</sub>               | Junction-to-board characterization parameter | 32.1       | °C/W |

| THERMAL METRIC <sup>(1)</sup> |  | UCC2154x  | UNIT |
|-------------------------------|--|-----------|------|
|                               |  | DW (SOIC) |      |
| R <sub>θJA</sub>              | Junction-to-ambient thermal resistance       | 69.8      | °C/W |
| R <sub>θJC(top)</sub>         | Junction-to-case (top) thermal resistance    | 33.1      | °C/W |
| R <sub>θJB</sub>              | Junction-to-board thermal resistance         | 36.9      | °C/W |
| Ψ <sub>JT</sub>               | Junction-to-top characterization parameter   | 22.2      | °C/W |
| Ψ <sub>JB</sub>               | Junction-to-board characterization parameter | 36        | °C/W |

(1) For more information about traditional and new thermal metrics, see the , [Semiconductor and IC Package Thermal Metrics Application Report \(SPRA953\)](#).

## 6.5 Power Ratings

|                                   |                                       |  | VALUE | UNIT |
|-----------------------------------|---------------------------------------|--|-------|------|
| P <sub>D</sub>                    | Power dissipation                     | V <sub>CCI</sub> = 5.5 V, V <sub>DDA/B</sub> = 12 V, I <sub>NA/B</sub> = 3.3 V, 2.7 MHz 50% duty cycle square wave 1.0-nF load | 950   | mW   |
| P <sub>DI</sub>                   | Power dissipation by transmitter side |  | 50    | mW   |
| P <sub>DA</sub> , P <sub>DB</sub> | Power dissipation by each driver side |  | 450   | mW   |

## 6.6 Insulation Specifications

| PARAMETER  | TEST CONDITIONS                                |   | VALUE | UNIT             |
|--|--|---|-------|------------------|
| CLR  | External clearance <sup>(1)</sup>              | Shortest pin-to-pin distance through air  | > 8   | mm               |
| CPG  | External creepage <sup>(1)</sup>               | Shortest pin-to-pin distance across the package surface   | > 8   | mm               |
| DTI  | Distance through insulation                    | Minimum internal gap (internal clearance) of the double insulation (2 × 8.5 μm)   | >17   | μm               |
| CTI  | Comparative tracking index                     | DIN EN 60112 (VDE 0303-11); IEC 60112   | > 600 | V                |
|  | Material group                                 | According to IEC 60664-1  | I     |                  |
|  | Overvoltage category per IEC 60664-1           | Rated mains voltage ≤ 600 V <sub>RMS</sub>  | I-IV  |                  |
|  |  | Rated mains voltage ≤ 1000 V <sub>RMS</sub>   | I-III |                  |
| <b>DIN EN IEC 60747-17 (VDE 0884-17)<sup>(2)</sup></b> |  |   |       |                  |
| V <sub>IORM</sub>                                      | Maximum repetitive peak isolation voltage      | AC voltage (bipolar)  | 1414  | V <sub>PK</sub>  |
| V <sub>IOWM</sub>                                      | Maximum working isolation voltage              | AC voltage (sine wave); time dependent dielectric breakdown (TDDB), test (See <a href="#">Figure 6-1</a> .)                                 | 1000  | V <sub>RMS</sub> |
|  |  | DC voltage  | 1414  | V <sub>DC</sub>  |
| V <sub>IMP</sub>                                       | Maximum impulse voltage                        | Tested in air, 1.2/50-μs waveform per IEC 62368-1   | 7692  | V <sub>PK</sub>  |
| V <sub>IOTM</sub>                                      | Maximum transient isolation voltage            | V <sub>TEST</sub> = V <sub>IOTM</sub> , t = 60 s (qualification)<br>V <sub>TEST</sub> = 1.2 × V <sub>IOTM</sub> , t = 1 s (100% production) | 8000  | V <sub>PK</sub>  |
| V <sub>IOSM</sub>                                      | Maximum surge isolation voltage <sup>(3)</sup> | Test method per IEC 62368-1, 1.2/50 μs waveform, V <sub>TEST</sub> = 1.6 × V <sub>IOSM</sub> = 12800 V <sub>PK</sub> (qualification)        | 10000 | V <sub>PK</sub>  |

## 6.6 Insulation Specifications (continued)

| PARAMETER  | TEST CONDITIONS  | VALUE              | UNIT             |
|--|--|--------------------|------------------|
| Q <sub>pd</sub> Apparent charge <sup>(4)</sup>                       | Method a, After I/O safety test subgroup 2/3.<br>V <sub>ini</sub> = V <sub>IOTM</sub> , t <sub>ini</sub> = 60 s;<br>V <sub>pd(m)</sub> = 1.2 X V <sub>IORM</sub> = 1697 V <sub>PK</sub> , t <sub>m</sub> = 10 s                                      | <5                 | pC               |
|  | Method a, after environmental tests subgroup 1.<br>V <sub>ini</sub> = V <sub>IOTM</sub> , t <sub>ini</sub> = 60 s;<br>V <sub>pd(m)</sub> = 1.6 X V <sub>IORM</sub> = 2262 V <sub>PK</sub> , t <sub>m</sub> = 10 s                                    | <5                 |                  |
|  | Method b1; At routine test (100% production) and preconditioning (type test)<br>V <sub>ini</sub> = 1.2 × V <sub>IOTM</sub> ; t <sub>ini</sub> = 1 s;<br>V <sub>pd(m)</sub> = 1.875 × V <sub>IORM</sub> = 2651 V <sub>PK</sub> , t <sub>m</sub> = 1 s | <5                 |                  |
| C <sub>IO</sub> Barrier capacitance, input to output <sup>(5)</sup>  | V <sub>IO</sub> = 0.4 sin (2πft), f = 1 MHz  | 1.2                | pF               |
| R <sub>IO</sub> Isolation resistance, input to output <sup>(5)</sup> | V <sub>IO</sub> = 500 V at T <sub>A</sub> = 25°C   | > 10 <sup>12</sup> | Ω                |
|  | V <sub>IO</sub> = 500 V at 100°C ≤ T <sub>A</sub> ≤ 125°C  | > 10 <sup>11</sup> |                  |
|  | V <sub>IO</sub> = 500 V at T <sub>S</sub> = 150°C  | > 10 <sup>9</sup>  |                  |
| Pollution degree   |  | 2                  |                  |
| Climatic category  |  | 40/125/21          |                  |
| <b>UL 1577</b>   |  |                    |                  |
| V <sub>ISO</sub> Withstand isolation voltage                         | V <sub>TEST</sub> = V <sub>ISO</sub> = 5700 V <sub>RMS</sub> , t = 60 s (qualification),<br>V <sub>TEST</sub> = 1.2 × V <sub>ISO</sub> = 6840V <sub>RMS</sub> , t = 1 sec (100% production)  | 5700               | V <sub>RMS</sub> |

- Creepage and clearance requirements should be applied according to the specific equipment isolation standards of an application. Care should be taken to maintain the creepage and clearance distance of a board design to ensure that the mounting pads of the isolator on the printed-circuit board do not reduce this distance. Creepage and clearance on a printed-circuit board become equal in certain cases. Techniques such as inserting grooves, ribs, or both on a printed circuit board are used to help increase these specifications..
- This coupler is suitable for safe electrical insulation only within the safety ratings. Compliance with the safety ratings shall be ensured by means of suitable protective circuits.
- Testing is carried out in air or oil to determine the intrinsic surge immunity of the isolation barrier.
- Apparent charge is electrical discharge caused by a partial discharge (pd).
- All pins on each side of the barrier tied together creating a two-pin device.

## 6.7 Safety-Limiting Values

Safety limiting intends to minimize potential damage to the isolation barrier upon failure of input or output circuitry.

| PARAMETER  | TEST CONDITIONS (DWK)   | SIDE                  | MIN | TYP | MAX  | UNIT |
|--|---|-----------------------|-----|-----|------|------|
| I <sub>s</sub> Safety output supply current      | θ <sub>JA</sub> = 74.1°C/W, V <sub>VDDA/B</sub> = 12 V, T <sub>J</sub> = 150°C, T <sub>A</sub> = 25°C<br>See <a href="#">Figure 6-4</a> | DRIVER A,<br>DRIVER B |     |     | 66   | mA   |
| P <sub>s</sub> Safety supply power               | θ <sub>JA</sub> = 74.1°C/W, V <sub>VCCI</sub> = 5.5 V, T <sub>J</sub> = 150°C, T <sub>A</sub> = 25°C<br>See <a href="#">Figure 6-5</a>  | INPUT                 |     |     | 50   | mW   |
|  |   | DRIVER A              |     |     | 800  |      |
|  |   | DRIVER B              |     |     | 800  |      |
|  |   | TOTAL                 |     |     | 1650 |      |
| T <sub>s</sub> Safety temperature <sup>(1)</sup> |   |                       |     |     | 150  | °C   |

| PARAMETER                                   | TEST CONDITIONS (DW)  | SIDE                  | MIN | TYP | MAX  | UNIT |
|---|---|-----------------------|-----|-----|------|------|
| I <sub>s</sub> Safety output supply current | θ <sub>JA</sub> = 69.8°C/W, V <sub>VDDA/B</sub> = 12 V, T <sub>J</sub> = 150°C, T <sub>A</sub> = 25°C<br>See <a href="#">Figure 6-4</a> | DRIVER A,<br>DRIVER B |     |     | 72   | mA   |
| P <sub>s</sub> Safety supply power          | θ <sub>JA</sub> = 69.8°C/W, V <sub>VCCI</sub> = 5.5 V, T <sub>J</sub> = 150°C, T <sub>A</sub> = 25°C<br>See <a href="#">Figure 6-5</a>  | INPUT                 |     |     | 50   | mW   |
|   |   | DRIVER A              |     |     | 870  |      |
|   |   | DRIVER B              |     |     | 870  |      |
|   |   | TOTAL                 |     |     | 1790 |      |

| PARAMETER      | TEST CONDITIONS (DW)              | SIDE | MIN | TYP | MAX | UNIT |
|----------------|-----------------------------------|------|-----|-----|-----|------|
| T <sub>S</sub> | Safety temperature <sup>(1)</sup> |      |     |     | 150 | °C   |

- (1) The maximum safety temperature, T<sub>S</sub>, has the same value as the maximum junction temperature, T<sub>J</sub>, specified for the device. The I<sub>S</sub> and P<sub>S</sub> parameters represent the safety current and safety power respectively. The maximum limits of I<sub>S</sub> and P<sub>S</sub> should not be exceeded. These limits vary with the ambient temperature, T<sub>A</sub>.

The junction-to-air thermal resistance, R<sub>θJA</sub>, in the [Section 6.4](#) table is that of a device installed on a high-K test board for leaded surface-mount packages. Use these equations to calculate the value for each parameter:

$T_J = T_A + R_{\theta JA} \times P$ , where P is the power dissipated in the device.

$T_{J(max)} = T_S = T_A + R_{\theta JA} \times P_S$ , where T<sub>J(max)</sub> is the maximum allowed junction temperature.

$P_S = I_S \times V_I$ , where V<sub>I</sub> is the maximum input voltage.

## 6.8 Electrical Characteristics

$V_{VCCI} = 3.3\text{ V}$  or  $5.0\text{ V}$ ,  $0.1\text{-}\mu\text{F}$  capacitor from  $V_{CCI}$  to  $GND$  and  $1\text{-}\mu\text{F}$  capacitor from  $V_{DDA/B}$  to  $V_{SSA/B}$ ,  $V_{VDDA} = V_{VDDB} = 15\text{ V}$ ,  $1\text{-}\mu\text{F}$  capacitor from  $V_{DDA}$  and  $V_{DDB}$  to  $V_{SSA}$  and  $V_{SSB}$ ,  $DT$  pin tied to  $V_{CCI}$ ,  $C_L = 0\text{ pF}$ ,  $T_A = -40^\circ\text{C}$  to  $+125^\circ\text{C}$  unless otherwise noted<sup>(1)</sup> <sup>(2)</sup>.

| PARAMETER   |   | TEST CONDITIONS  | MIN  | TYP   | MAX  | UNIT     |
|---|---|--|------|-------|------|----------|
| <b>SUPPLY CURRENTS</b>  |   |  |      |       |      |          |
| $I_{VCCI}$  | $V_{CCI}$ quiescent current   | $V_{INA} = 0\text{ V}$ , $V_{INB} = 0\text{ V}$  |      | 1.5   | 2.0  | mA       |
| $I_{VDDA}$ , $I_{VDDB}$   | $V_{DDA}$ and $V_{DDB}$ quiescent current                           | $V_{INA} = 0\text{ V}$ , $V_{INB} = 0\text{ V}$  |      | 1.0   | 2.5  | mA       |
| $I_{VCCI}$  | $V_{CCI}$ operating current   | current per channel ( $f = 500\text{-kHz}$ , 50% duty cycle)   |      | 3.0   | 3.5  | mA       |
| $I_{VDDA}$ , $I_{VDDB}$   | $V_{DDA}$ and $V_{DDB}$ operating current                           | current per channel ( $f = 500\text{ kHz}$ , 50% duty cycle), $C_L = 100\text{ pF}$  |      | 2.5   | 4.2  | mA       |
| <b>VCC SUPPLY VOLTAGE UNDERVOLTAGE THRESHOLDS</b>   |   |  |      |       |      |          |
| $V_{VCCI\_ON}$  | UVLO Rising threshold   |  | 2.55 | 2.7   | 2.85 | V        |
| $V_{VCCI\_OFF}$   | UVLO Falling threshold  |  | 2.35 | 2.5   | 2.65 | V        |
| $V_{VCCI\_HYS}$   | UVLO Threshold hysteresis   |  |      | 0.2   |      | V        |
| <b>UCC21540A, UCC21542A VDD SUPPLY VOLTAGE UNDERVOLTAGE THRESHOLDS (5-V UVLO)</b>         |   |  |      |       |      |          |
| $V_{VDDA\_ON}$ , $V_{VDDB\_ON}$   | UVLO Rising threshold   |  | 5.7  | 6.0   | 6.3  | V        |
| $V_{VDDA\_OFF}$ , $V_{VDDB\_OFF}$   | UVLO Falling threshold  |  | 5.4  | 5.7   | 6.0  | V        |
| $V_{VDDA\_HYS}$ , $V_{VDDB\_HYS}$   | UVLO Threshold hysteresis   |  |      | 0.3   |      | V        |
| <b>UCC21540, UCC21541, UCC21542 VDD SUPPLY VOLTAGE UNDERVOLTAGE THRESHOLDS (8-V UVLO)</b> |   |  |      |       |      |          |
| $V_{VDDA\_ON}$ , $V_{VDDB\_ON}$   | UVLO Rising threshold   |  | 7.7  | 8.5   | 8.9  | V        |
| $V_{VDDA\_OFF}$ , $V_{VDDB\_OFF}$   | UVLO Falling threshold  |  | 7.2  | 7.9   | 8.4  | V        |
| $V_{VDDA\_HYS}$ , $V_{VDDB\_HYS}$   | UVLO Threshold hysteresis   |  |      | 0.6   |      | V        |
| <b>INA, INB, AND DISABLE</b>  |   |  |      |       |      |          |
| $V_{INAH}$ , $V_{INBH}$ , $V_{DISH}$  | Input high threshold voltage  |  | 1.2  | 1.8   | 2    | V        |
| $V_{INAL}$ , $V_{INBL}$ , $V_{DISL}$  | Input low threshold voltage   |  | 0.8  | 1     | 1.2  | V        |
| $V_{INA\_HYS}$ , $V_{INB\_HYS}$ , $V_{DIS\_HYS}$  | Input threshold hysteresis  |  |      | 0.8   |      | V        |
| <b>OUTPUT</b>   |   |  |      |       |      |          |
| $I_{OA+}$ , $I_{OB+}$   | UCC21540/A, UCC21542/A<br>Peak output source current                | $C_{VDD} = 10\text{ }\mu\text{F}$ , $C_{LOAD} = 0.18\text{ }\mu\text{F}$ , $f = 1\text{ kHz}$ , bench measurement  |      | 4     |      | A        |
|   | UCC21541<br>Peak output source current                              |  | 1    | 1.5   |      |          |
| $I_{OA-}$ , $I_{OB-}$   | UCC21540/A, UCC21542/A<br>Peak output sink current                  |  |      | 6     |      | A        |
|   | UCC21541<br>Peak output sink current                                |  | 1.5  | 2.5   |      |          |
| $R_{OHA}$ , $R_{OHB}$   | UCC21540/A, UCC21541, UCC21542/A<br>Output resistance at high state | $I_{OUT} = -10\text{ mA}$ , $R_{OHA}$ , $R_{OHB}$ do not represent drive pull-up performance. See $t_{RISE}$ in <a href="#">Section 6.9</a> and <a href="#">Section 8.3.4</a> for details. |      | 5     |      | $\Omega$ |
| $R_{OLA}$ , $R_{OLB}$   | UCC21540/A, UCC21542/A<br>Output resistance at low state            | $I_{OUT} = 10\text{ mA}$   |      | 0.55  |      | $\Omega$ |
|   | UCC21541 Output resistance at low state                             |  | 1.3  | 2.6   |      |          |
| $V_{OHA}$ , $V_{OHB}$   | Output voltage at high state  | $V_{VDDA}$ , $V_{VDDB} = 15\text{ V}$ , $I_{OUT} = -10\text{ mA}$  |      | 14.95 |      | V        |

## 6.8 Electrical Characteristics (continued)

$V_{VCCI} = 3.3\text{ V}$  or  $5.0\text{ V}$ ,  $0.1\text{-}\mu\text{F}$  capacitor from  $V_{CCI}$  to  $GND$  and  $1\text{-}\mu\text{F}$  capacitor from  $V_{DDA/B}$  to  $V_{SSA/B}$ ,  $V_{VDDA} = V_{VDDB} = 15\text{ V}$ ,  $1\text{-}\mu\text{F}$  capacitor from  $V_{DDA}$  and  $V_{DDB}$  to  $V_{SSA}$  and  $V_{SSB}$ ,  $DT$  pin tied to  $V_{CCI}$ ,  $C_L = 0\text{ pF}$ ,  $T_A = -40^\circ\text{C}$  to  $+125^\circ\text{C}$  unless otherwise noted<sup>(1) (2)</sup>.

| PARAMETER                                |   | TEST CONDITIONS   | MIN                              | TYP | MAX | UNIT |
|--|---|---|----------------------------------|-----|-----|------|
| $V_{OLA}, V_{OLB}$                       | UCC21540/A, UCC21542/A Output voltage at low state      | $V_{VDDA}, V_{VDDB} = 15\text{ V}, I_{OUT} = 10\text{ mA}$                |                                  | 5.5 |     | mV   |
|  | UCC21541 Output voltage at low state                    |   |                                  | 13  | 26  |      |
| $V_{OAPDA}, V_{OAPDB}$                   | Driver output ( $V_{OUTA}, V_{OUTB}$ ) active pull down | $V_{VDDA}$ and $V_{VDDB}$ unpowered, $I_{OUTA}, I_{OUTB} = 200\text{ mA}$ |                                  | 1.6 | 2   | V    |
| <b>DEAD TIME AND OVERLAP PROGRAMMING</b> |   |   |                                  |     |     |      |
| Dead time, $DT$                          | UCC21542/A  | DT circuit disabled internally  | Overlap determined by $INA, INB$ |     |     |      |
|  | UCC21540/A, UCC21541                                    | DT pin tied to $V_{CCI}$  | Overlap determined by $INA, INB$ |     |     | -    |
|  |   | $R_{DT} = 10\text{ k}\Omega$  | 80                               | 100 | 120 | ns   |
|  |   | $R_{DT} = 20\text{ k}\Omega$  | 160                              | 200 | 240 |      |
|  |   | $R_{DT} = 50\text{ k}\Omega$  | 400                              | 500 | 600 |      |

- (1) Current direction in the testing conditions are defined to be positive into the pin and negative out of the specified terminal (unless otherwise noted).
- (2) Parameters with only a typical value are provided for reference only, and do not constitute part of TI's published device specifications for purposes of TI's product warranty.

## 6.9 Switching Characteristics

$V_{VCCI} = 3.3\text{ V}$  or  $5.5\text{ V}$ ,  $0.1\text{-}\mu\text{F}$  capacitor from  $V_{CCI}$  to  $GND$ ,  $V_{VDDA} = V_{VDDB} = 15\text{ V}$ ,  $1\text{-}\mu\text{F}$  capacitor from  $V_{DDA}$  and  $V_{DDB}$  to  $V_{SSA}$  and  $V_{SSB}$ , load capacitance  $C_{OUT} = 0\text{ pF}$ ,  $T_A = -40^\circ\text{C}$  to  $+125^\circ\text{C}$  unless otherwise noted<sup>(1)</sup>.

| PARAMETER   |   | TEST CONDITIONS  | MIN | TYP | MAX | UNIT |
|-------------|---|--|-----|-----|-----|------|
| $t_{RISE}$  | UCC21540/A, UCC21542/A Output rise time<br>See <a href="#">Figure 7-4</a> .   | $C_{VDD} = 10\text{ }\mu\text{F}, C_{OUT} = 1.8\text{ nF}, V_{VDDA}, V_{VDDB} = 12\text{ V}, f = 1\text{ kHz}$ |     | 5   | 16  | ns   |
|             | UCC21541 Output rise time<br>See <a href="#">Figure 7-4</a> .   |  |     | 8   | 20  |      |
| $t_{FALL}$  | UCC21540/A, UCC21542/A Output fall time<br>See <a href="#">Figure 7-4</a> .   | $C_{VDD} = 10\text{ }\mu\text{F}, C_{OUT} = 1.8\text{ nF}, V_{VDDA}, V_{VDDB} = 12\text{ V}, f = 1\text{ kHz}$ |     | 6   | 12  | ns   |
|             | UCC21541 Output fall time<br>See <a href="#">Figure 7-4</a> .   |  |     | 9   | 15  |      |
| $t_{PWmin}$ | Minimum input pulse width that passes to output<br>See <a href="#">Figure 7-1</a> and <a href="#">Figure 7-2</a> .  | Output does not change the state if input signal less than $t_{PWmin}$   |     |     | 20  | ns   |
| $t_{PDHL}$  | Propagation delay at falling edge<br>See <a href="#">Figure 7-3</a> .   | $INx$ high threshold, $V_{INH}$ , to 10% of the output   | 26  | 33  | 45  | ns   |
| $t_{PDLH}$  | Propagation delay at rising edge<br>See <a href="#">Figure 7-3</a> .  | $INx$ low threshold, $V_{INL}$ , to 90% of the output  | 26  | 33  | 45  | ns   |
| $t_{PWD}$   | UCC21540/A, UCC21542/A Pulse width distortion   | $ t_{PDLHA} - t_{PDHLA} ,  t_{PDLHB} - t_{PDHLB} $<br>See <a href="#">Figure 7-3</a> .                         |     |     | 6   | ns   |
|             | UCC21541 Pulse width distortion   |  |     |     | 6.5 | ns   |
| $t_{DM}$    | Propagation delays matching, $ t_{PDLHA} - t_{PDLHB} ,  t_{PDHLA} - t_{PDHLB} $<br>See <a href="#">Figure 7-3</a> . | Input Pulse Width = 100ns, 500kHz, $T_J = -40^\circ\text{C}$ to $-10^\circ\text{C}$                            |     |     | 6.5 | ns   |
|             |   | Input Pulse Width = 100ns, 500kHz, $T_J = -10^\circ\text{C}$ to $+150^\circ\text{C}$                           |     |     | 5   | ns   |

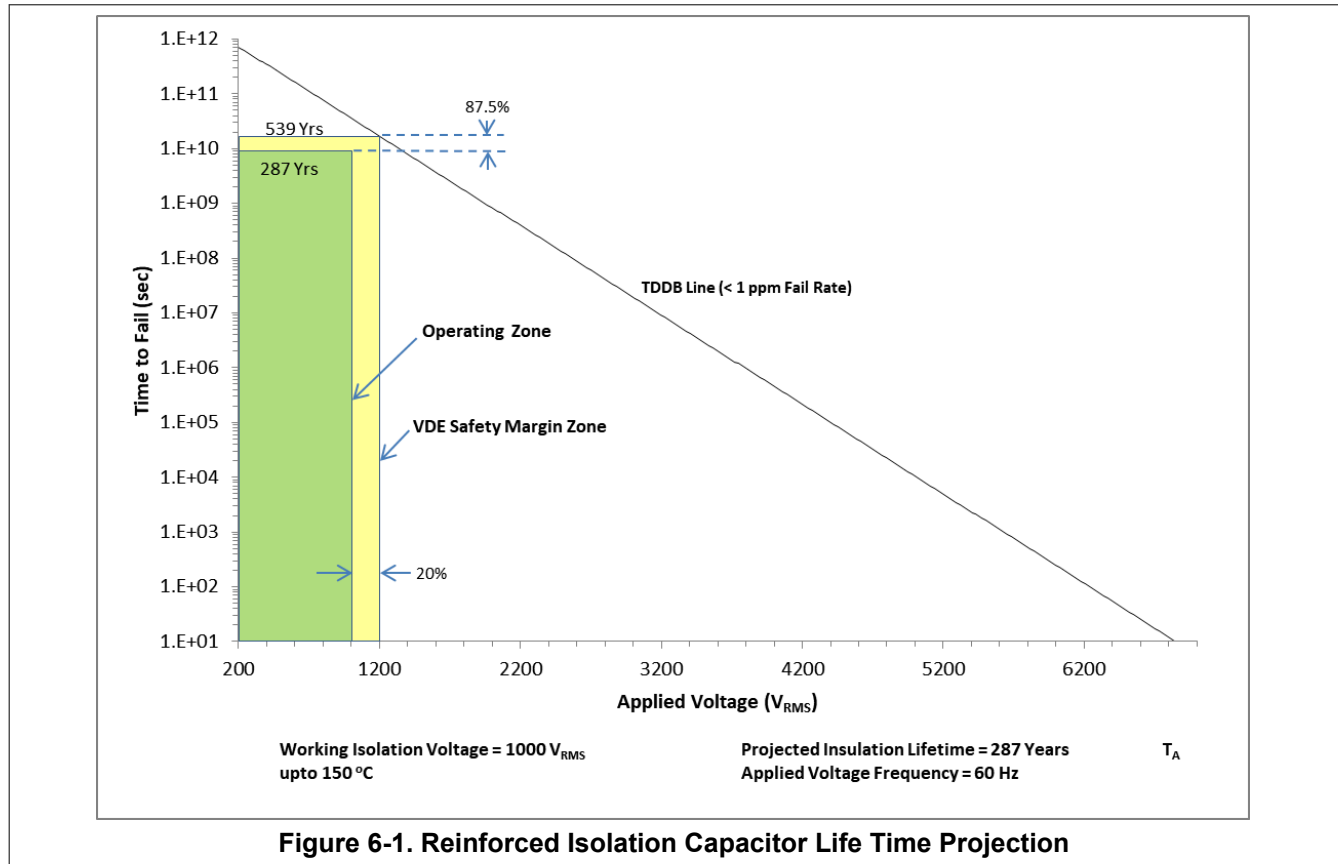
### 6.9 Switching Characteristics (continued)

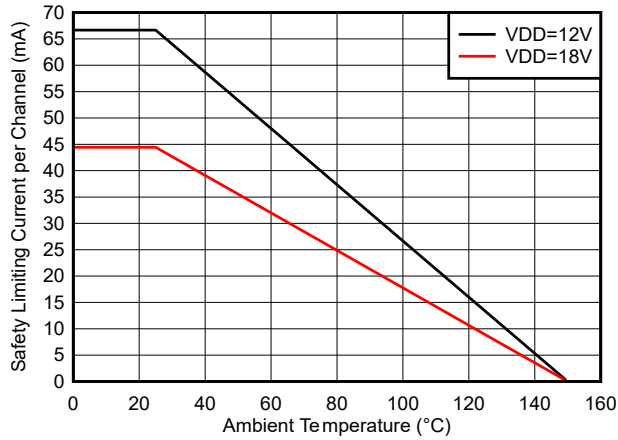
$V_{VCCI} = 3.3\text{ V}$  or  $5.5\text{ V}$ ,  $0.1\text{-}\mu\text{F}$  capacitor from  $V_{CCI}$  to  $GND$ ,  $V_{VDDA} = V_{VDDB} = 15\text{ V}$ ,  $1\text{-}\mu\text{F}$  capacitor from  $V_{DDA}$  and  $V_{DDB}$  to  $V_{SSA}$  and  $V_{SSB}$ , load capacitance  $C_{OUT} = 0\text{ pF}$ ,  $T_A = -40^\circ\text{C}$  to  $+125^\circ\text{C}$  unless otherwise noted<sup>(1)</sup>.

| PARAMETER                   | TEST CONDITIONS  | MIN | TYP | MAX | UNIT          |
|-----------------------------|--|-----|-----|-----|---------------|
| $t_{VCCI+ \text{ to } OUT}$ | VCCI Power-up Delay Time: UVLO Rise to OUTA, OUTB, See <a href="#">Figure 7-7</a> .      |     |     | 50  | $\mu\text{s}$ |
| $t_{VDD+ \text{ to } OUT}$  | VDDA, VDDB Power-up Delay Time: UVLO Rise to OUTA, OUTB See <a href="#">Figure 7-8</a> . |     |     | 10  |               |
| $ CM_H $                    | High-level common-mode transient immunity See <a href="#">Section 7.7</a> .              | 125 |     |     | V/ns          |
| $ CM_L $                    | Low-level common-mode transient immunity See <a href="#">Section 7.7</a> .               | 125 |     |     |               |

(1) Parameters with only a typical value are provided for reference only, and do not constitute part of TI's published device specifications for purposes of TI's product warranty.

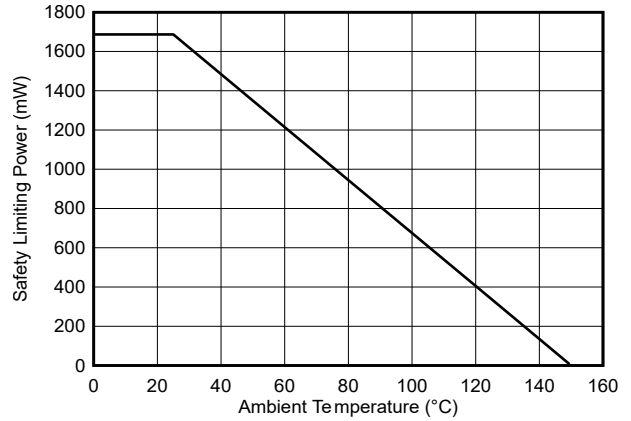
### 6.10 Insulation Characteristics Curves



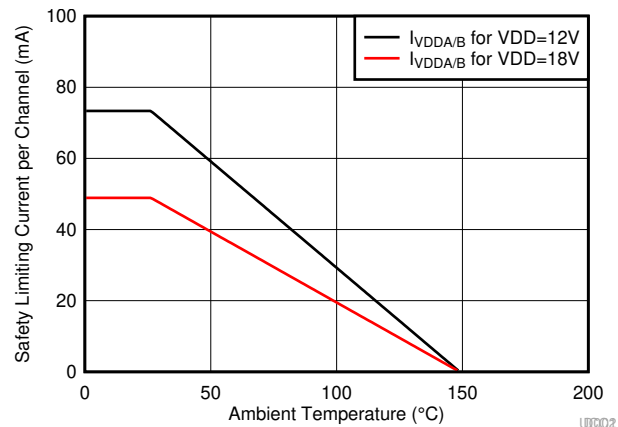


Current in Each Channel with Both Channels Running Simultaneously

**Figure 6-2. Thermal Derating Curve for Limiting Current Per VDE , DWK Package**

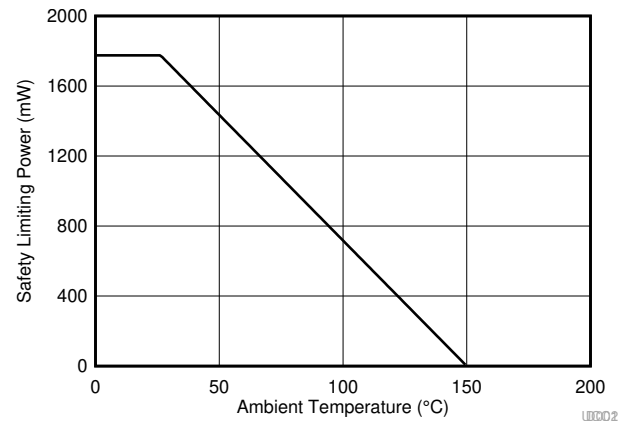


**Figure 6-3. Thermal Derating Curve for Limiting Power Per VDE , DWK Package**



Current in Each Channel with Both Channels Running Simultaneously

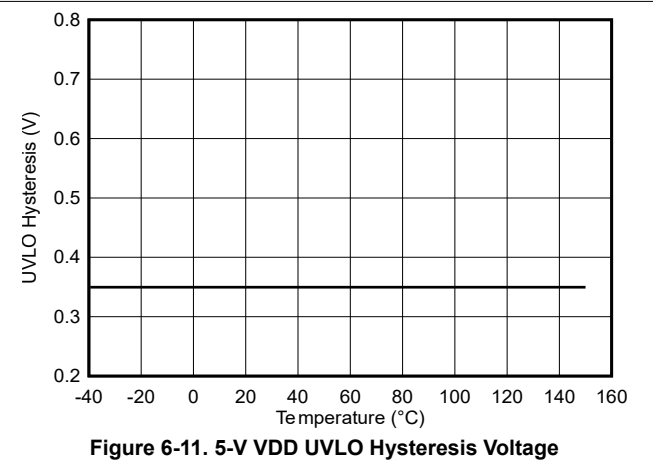
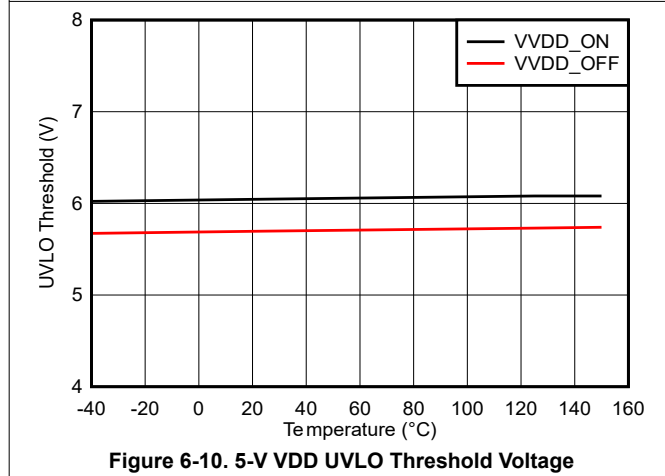
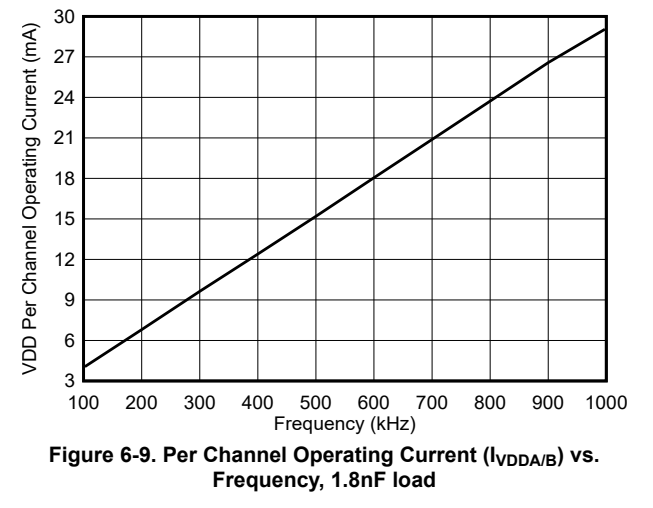
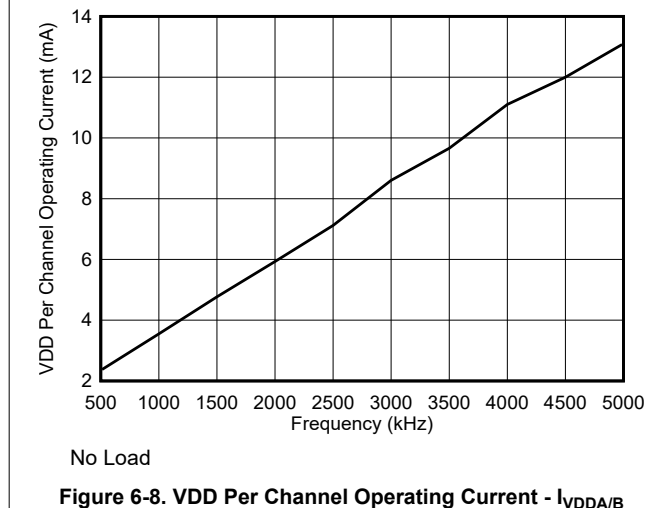
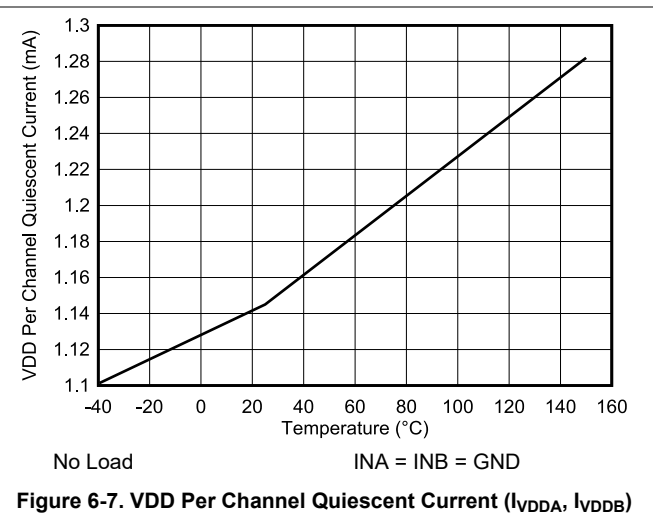
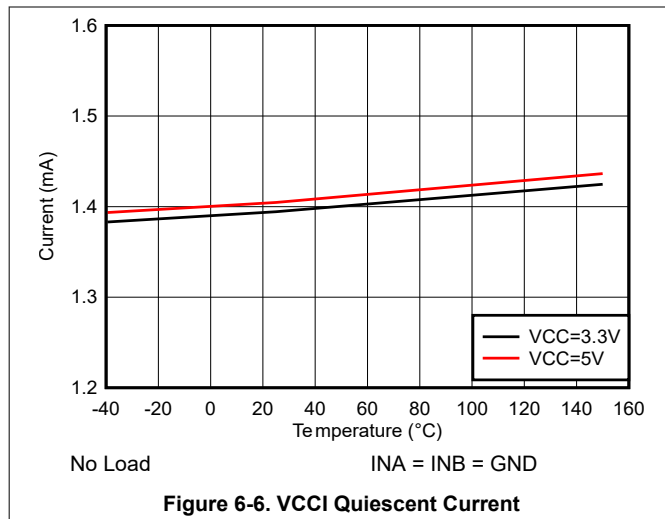
**Figure 6-4. Thermal Derating Curve for Limiting Current Per VDE , DW Package**



**Figure 6-5. Thermal Derating Curve for Limiting Power Per VDE , DW Package**

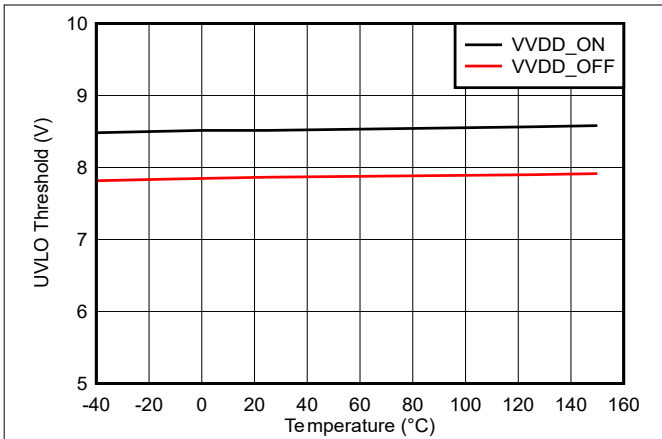
## 6.11 Typical Characteristics

VDDA = VDDB = 15 V, VCCI = 3.3 V or 5.0 V, DT pin tied to VCCI, T<sub>A</sub> = 25°C, C<sub>L</sub> = 0 pF unless otherwise noted.

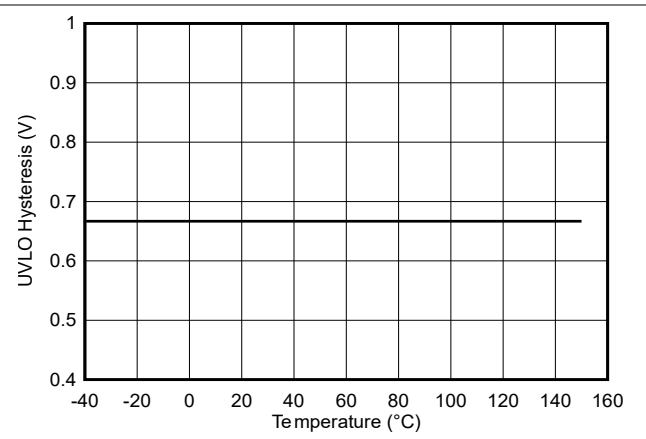


### 6.11 Typical Characteristics (continued)

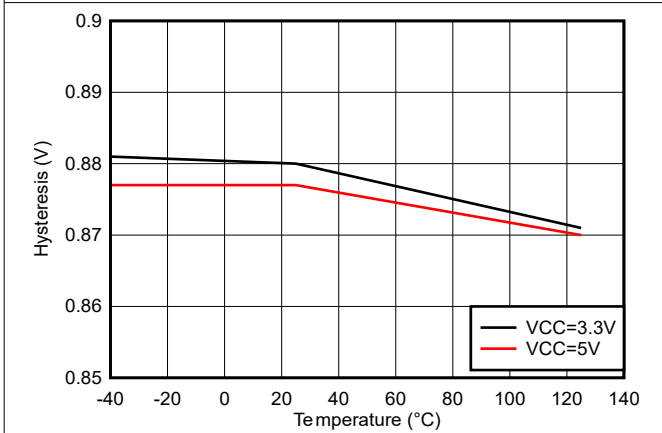
VDDA = VDDB = 15 V, VCCI = 3.3 V or 5.0 V, DT pin tied to VCCI, T<sub>A</sub> = 25°C, C<sub>L</sub> = 0 pF unless otherwise noted.



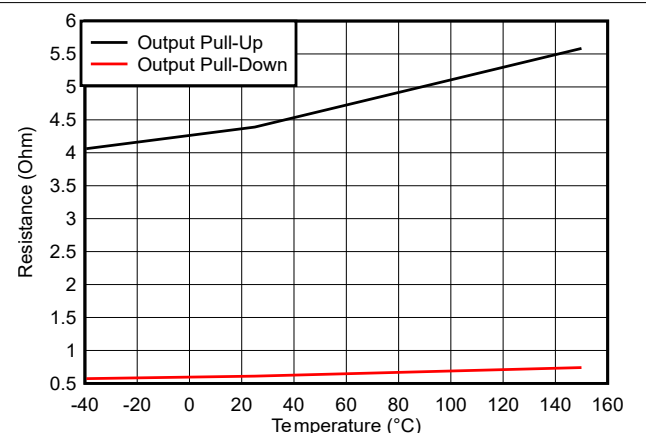
**Figure 6-12. 8-V VDD UVLO Threshold Voltage**



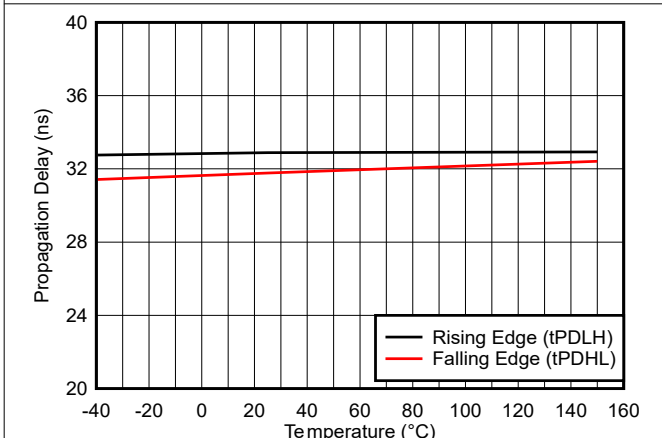
**Figure 6-13. 8-V VDD UVLO Threshold Hysteresis Voltage**



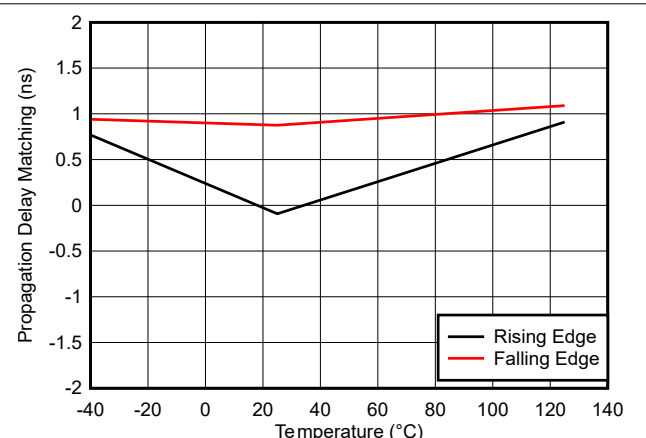
**Figure 6-14. INA/INB/DIS High and Low Threshold Hysteresis**



**Figure 6-15. OUT Pullup and Pulldown Resistance**



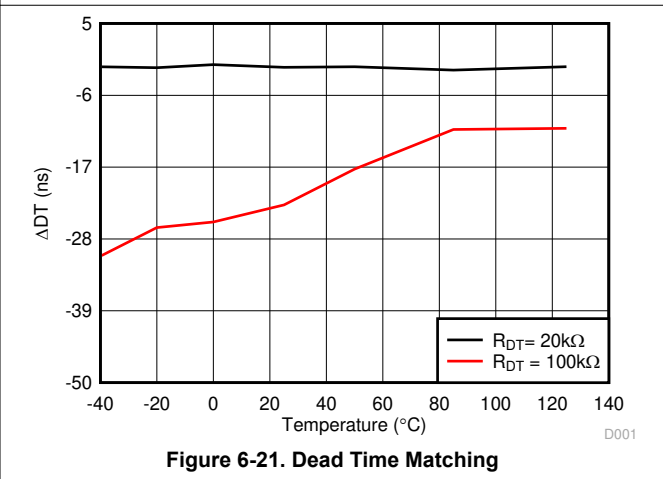
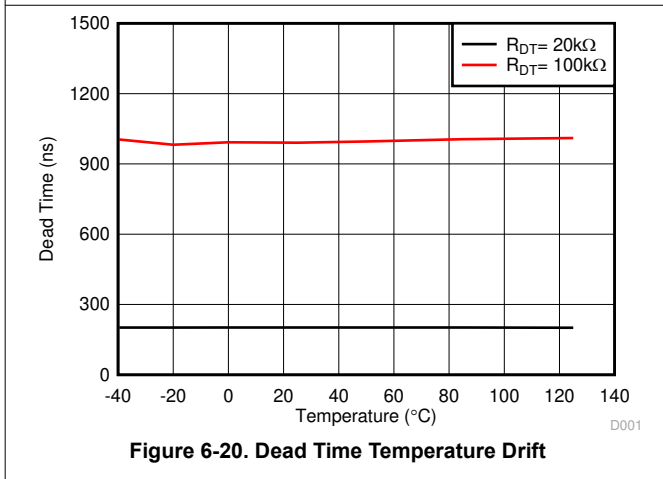
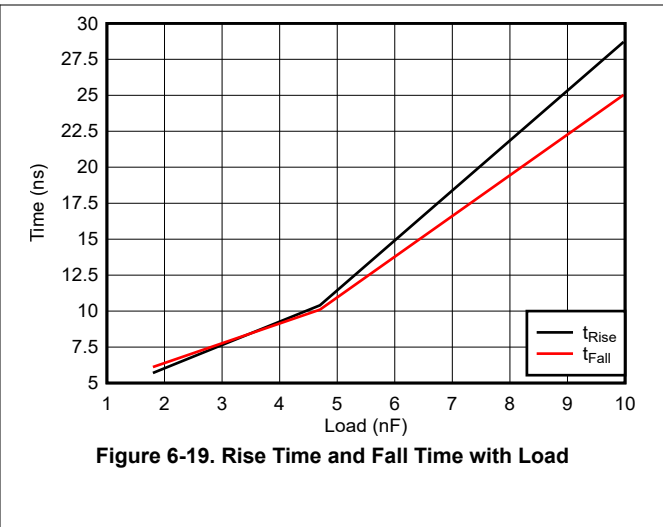
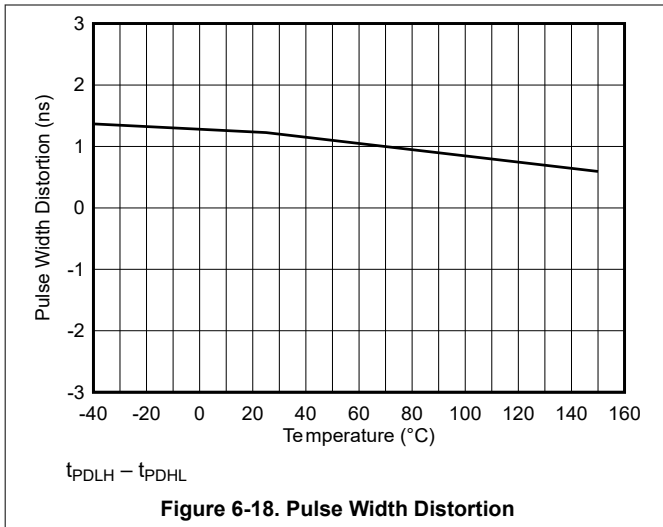
**Figure 6-16. Propagation Delay, Rising and Falling Edge**



**Figure 6-17. Propagation Delay Matching, Rising and Falling Edge**

### 6.11 Typical Characteristics (continued)

VDDA = VDDB = 15 V, VCCI = 3.3 V or 5.0 V, DT pin tied to VCCI, T<sub>A</sub> = 25°C, C<sub>L</sub> = 0 pF unless otherwise noted.



## 7 Parameter Measurement Information

### 7.1 Minimum Pulses

An input pulse with duration longer than  $t_{PWmin}$ , maximum 20ns, must be asserted on INA or INB to guarantee an output state change at OUTA or OUTB. See [Figure 7-1](#) and [Figure 7-2](#) for detailed information of the operation of deglitch filter.

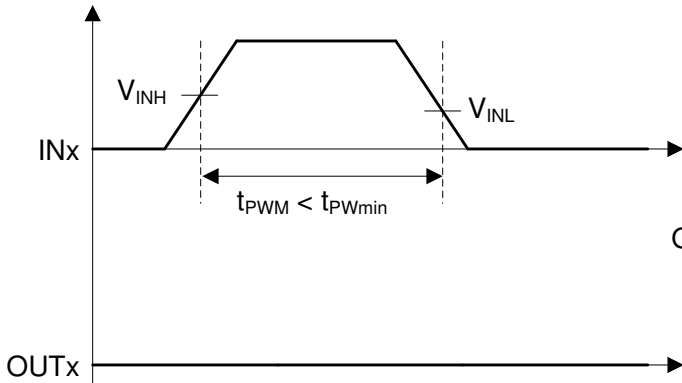


Figure 7-1. Deglitch Filter – Turn ON

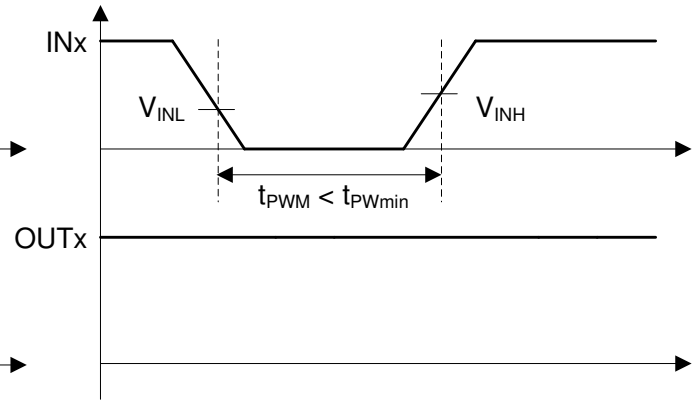


Figure 7-2. Deglitch Filter – Turn OFF

### 7.2 Propagation Delay and Pulse Width Distortion

[Figure 7-3](#) shows calculation of pulse width distortion ( $t_{PWD}$ ) and delay matching ( $t_{DM}$ ) from the propagation delays of channels A and B. To measure delay matching, both inputs must be in phase, and the DT pin must be shorted to VCCI to enable output overlap.

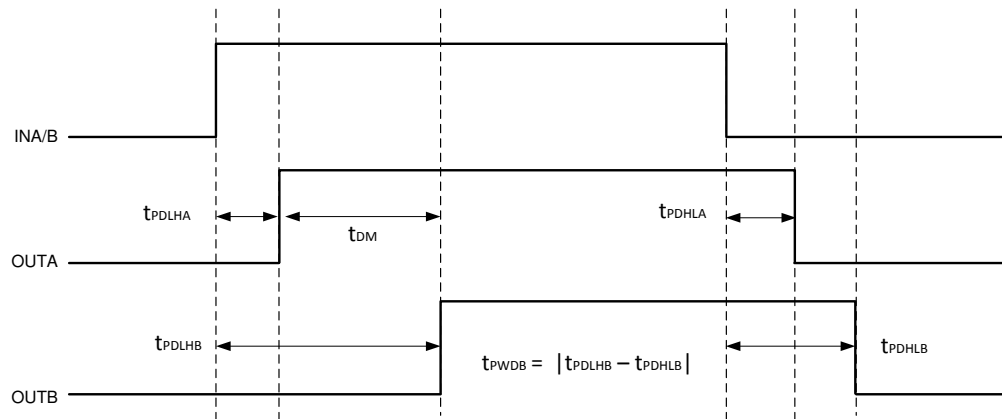


Figure 7-3. Delay Matching and Pulse Width Distortion

### 7.3 Rising and Falling Time

[Figure 7-4](#) shows the criteria for measuring rising ( $t_{RISE}$ ) and falling ( $t_{FALL}$ ) times. For more information on how short rising and falling times are achieved see [Section 8.3.4](#).

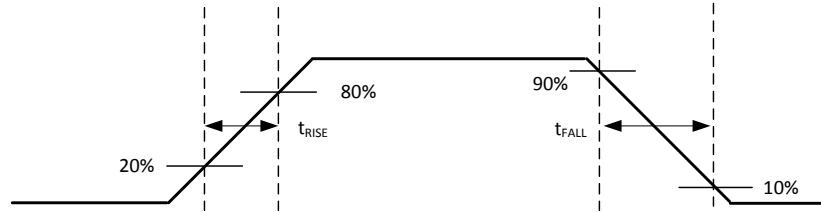


Figure 7-4. Rising and Falling Time Criteria

## 7.4 Input and Disable Response Time

Figure 7-5 shows the response time of the disable function. For more information, see Section 8.4.1.

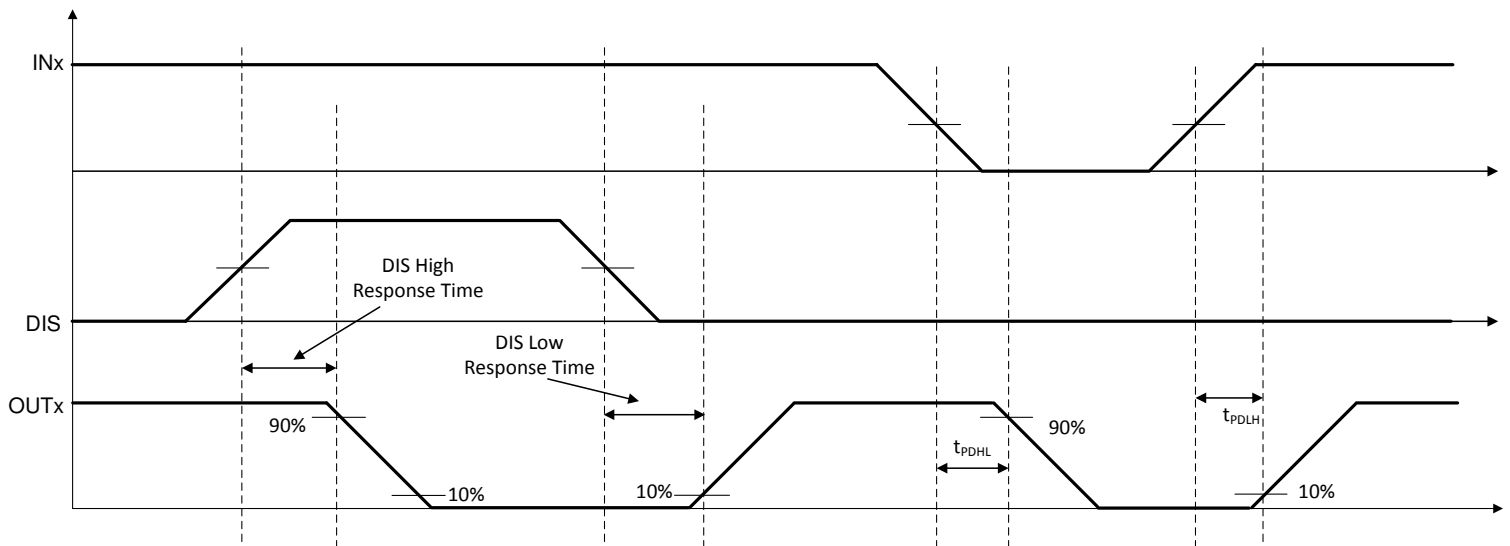


Figure 7-5. Disable Pin Timing

## 7.5 Programmable Dead Time

UCC21542/A internally ties the deadtime circuit to VCCI, leaving pin 6 as not internally connected. This device always allows both outputs to overlap.

For UCC21540/A and UCC21541, tying DT to VCCI disables DT feature and allows the outputs to overlap. Placing a resistor ( $R_{DT}$ ) between DT and GND adjusts dead time according to the equation:  $DT$  (in ns) =  $10 \times R_{DT}$  (in k $\Omega$ ). TI recommends bypassing this pin with a ceramic capacitor,  $\leq 1$ nF, close to DT pin to achieve better noise immunity. For more details on dead time, refer to Section 8.4.2.

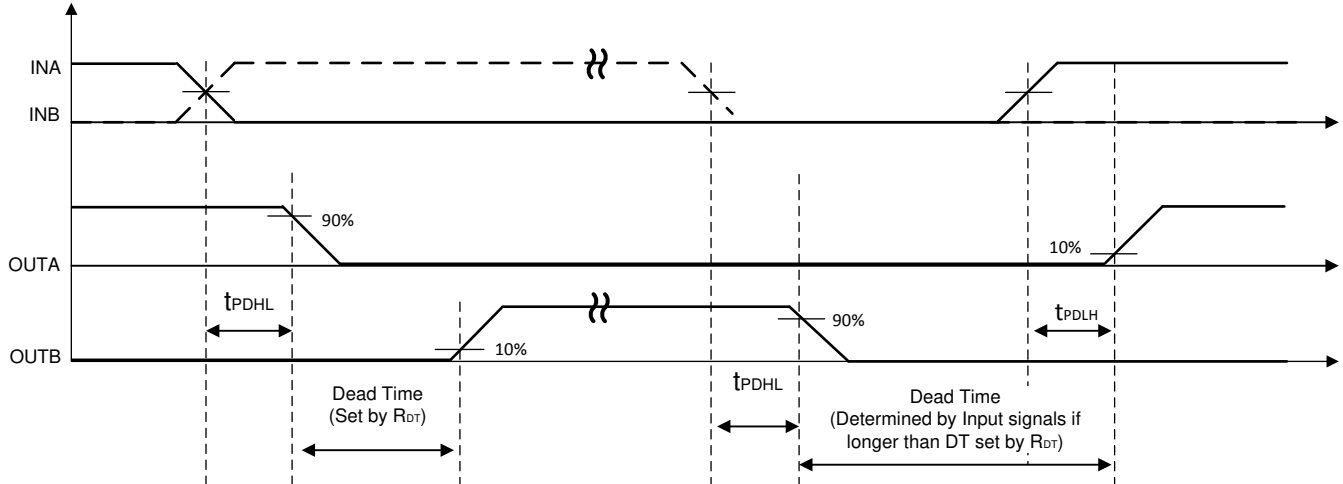


Figure 7-6. Dead Time Switching Parameters for UCC21540/A, UCC21541

### 7.6 Power-Up UVLO Delay to OUTPUT

Whenever the supply voltage  $V_{CCI}$  crosses from below the falling threshold  $V_{VCCI\_OFF}$  to above the rising threshold  $V_{VCCI\_ON}$ , and whenever the supply voltage  $V_{DDx}$  crosses from below the falling threshold  $V_{VDDx\_OFF}$  to above the rising threshold  $V_{VDDx\_ON}$ , there is a delay before the outputs begin responding to the inputs. For  $V_{CCI}$  UVLO this delay is defined as  $t_{VCCI+ \text{ to } OUT}$ , and has a maximum value of 50  $\mu\text{s}$ . For  $V_{DDx}$  UVLO this delay is defined as  $t_{VDD+ \text{ to } OUT}$ , and has a maximum value of 10  $\mu\text{s}$ . TI recommends allowing some margin before driving input signals, to ensure the driver  $V_{CCI}$  and  $V_{DD}$  bias supplies are fully activated. Figure 7-7 and Figure 7-8 show the power-up UVLO delay timing diagram for  $V_{CCI}$  and  $V_{DD}$ .

Whenever the supply voltage  $V_{CCI}$  crosses below the falling threshold  $V_{VCCI\_OFF}$ , or  $V_{DDx}$  crosses below the falling threshold  $V_{VDDx\_OFF}$ , the outputs stop responding to the inputs and are held low within  $\leq 2 \mu\text{s}$ . This asymmetric delay is designed to ensure safe operation during  $V_{CCI}$  or  $V_{DDx}$  brownouts.

When  $V_{CCI}$  goes away but  $V_{DDx}$  is present, outputs are held low; when  $V_{DDx}$  is gone, outputs are CLAMPED low through the active pull down feature. For more detailed UVLO feature description, please check session Section 8.3.1.

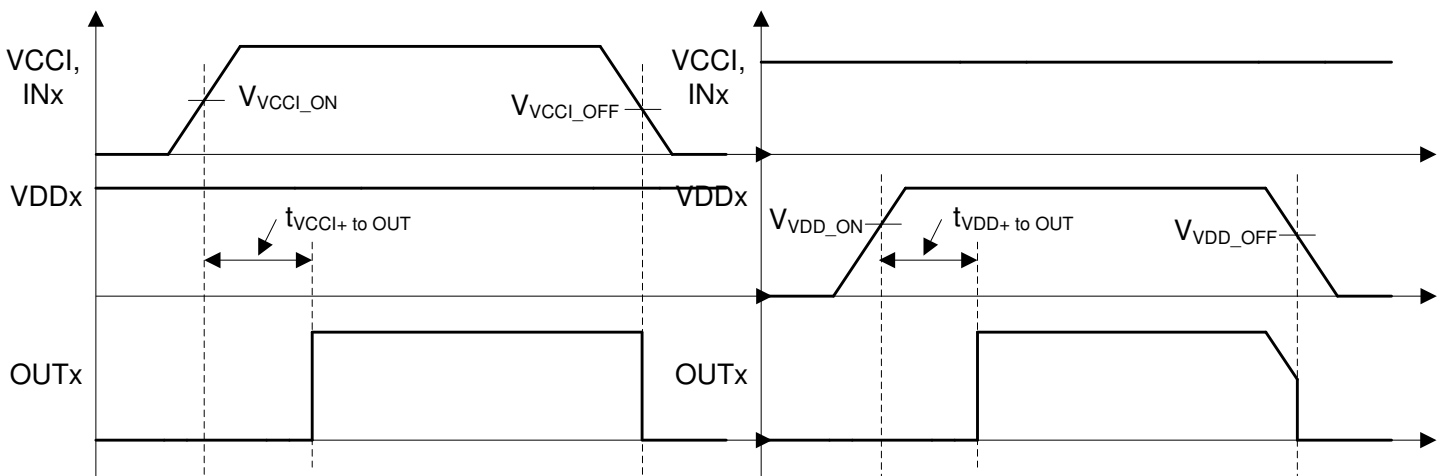
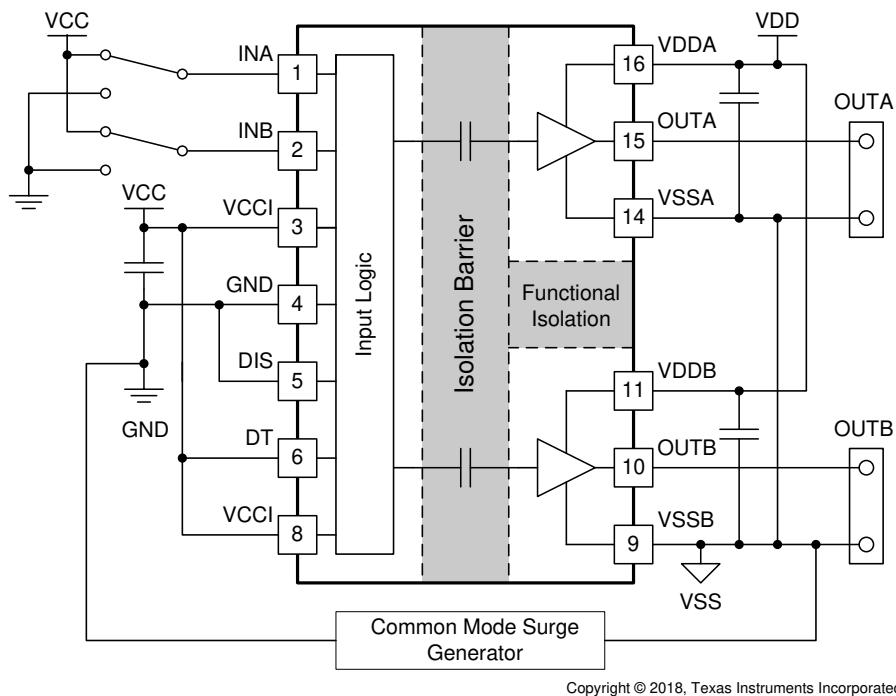


Figure 7-7. VCCI Power-up UVLO Delay

Figure 7-8. VDDA/B Power-up UVLO Delay

## 7.7 CMTI Testing

Figure 7-9 is a simplified diagram of the CMTI testing configuration.



**Figure 7-9. Simplified CMTI Testing Setup**

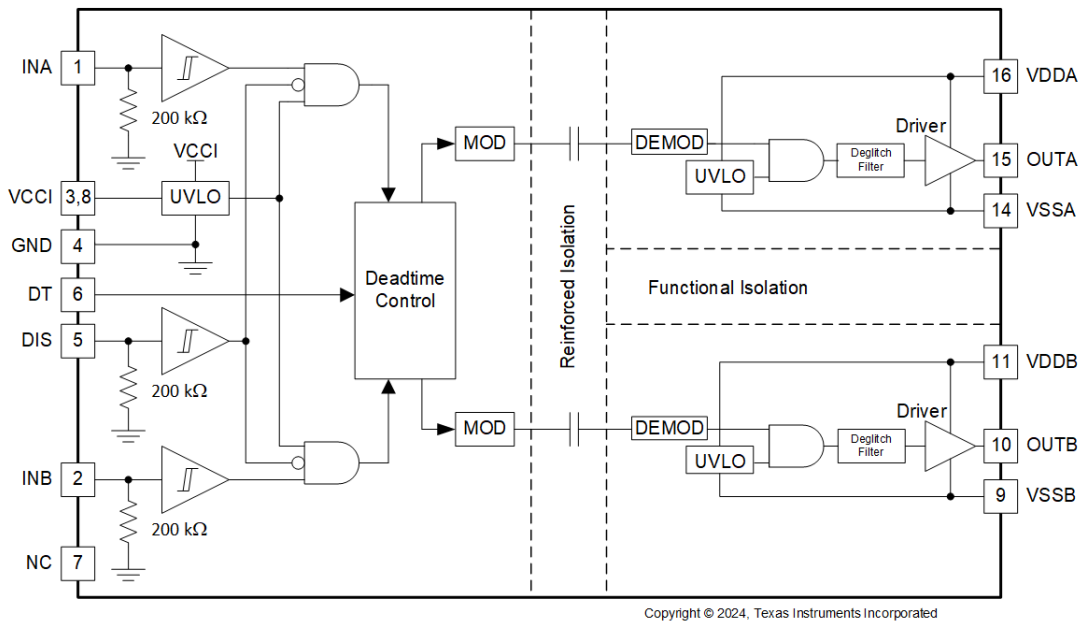
## 8 Detailed Description

### 8.1 Overview

In order to switch power transistors rapidly and reduce switching power losses, high-current gate drivers are often placed between the output of control devices and the gates of power transistors. There are several instances where controllers are not capable of delivering sufficient current to drive the gates of power transistors. This is especially the case with digital controllers, since the input signal from the digital controller is often a 3.3-V logic signal capable of only delivering a few mA.

The UCC2154x is a flexible dual gate driver which can be configured to fit a variety of power supply and motor drive topologies, as well as drive several types of transistors. The UCC2154x has many features that allow it to integrate well with control circuitry and protect the gates it drives such as: resistor-programmable dead time (DT) control, disable pin, and under voltage lock out (UVLO) for both input and output supplies. The UCC2154x also holds its outputs low when the inputs are left open or when the input pulse duration is too short. The driver inputs are CMOS and TTL compatible for interfacing with digital and analog power controllers alike. Each channel is controlled by its respective input pins (INA and INB), allowing full and independent control of each of the outputs.

### 8.2 Functional Block Diagram

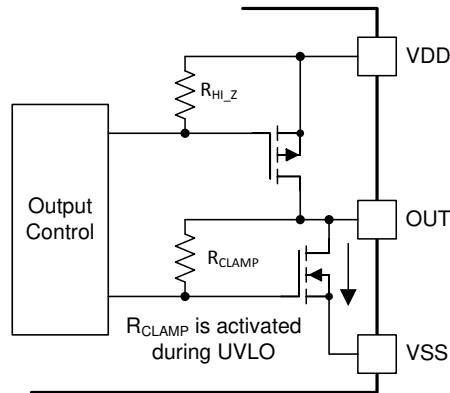


## 8.3 Feature Description

### 8.3.1 VDD, VCCI, and Under Voltage Lock Out (UVLO)

The UCC2154x has an internal under voltage lock out (UVLO) protection feature on each supply voltage between the VDD and VSS pins for both outputs. When the VDD bias voltage is lower than  $V_{VDD\_ON}$  at device start-up or lower than  $V_{VDD\_OFF}$  after start-up, the VDD UVLO feature holds the channel output low, regardless of the status of the input pins. The VDDx UVLO feature operates independently between CHA and CHB, allowing for bootstrapped systems where low-side output is required before high-side bias can be charged up.

When the output stages of the driver are in an unbiased or UVLO condition, the driver outputs are held low by an active clamp circuit that limits the voltage rise on the driver outputs (illustrated in Figure 8-1). In this condition, the upper PMOS is resistively held off by  $R_{HI\_Z}$  while the lower NMOS gate is tied to the driver output through  $R_{CLAMP}$ . In this configuration, the output is effectively clamped to the threshold voltage of the lower NMOS device, typically around 1.6V, regardless of whether bias power is available.



**Figure 8-1. Simplified Representation of Active Pull Down Feature**

The VDD UVLO protection has a hysteresis feature ( $V_{VDD\_HYS}$ ). This hysteresis prevents chatter when there is ground noise from the power supply. This also allows the device to accept small drops in bias voltage, which commonly occurs when the device starts switching and operating current consumption increases suddenly.

The inputs of the UCC2154x also has an internal under voltage lock out (UVLO) protection feature. The inputs cannot affect the outputs unless the supply voltage VCCI exceeds  $V_{VCCI\_ON}$  on start-up. The outputs are held low and cannot respond to inputs when the supply voltage VCCI drops below  $V_{VCCI\_OFF}$  after start-up. Like the UVLO for VDD, there is hysteresis ( $V_{VCCI\_HYS}$ ) to ensure stable operation.

**Table 8-1. VCCI UVLO Feature Logic <sup>(1)</sup>**

| CONDITION   | INPUTS |     | OUTPUTS |      |
|---|--------|-----|---------|------|
|   | INA    | INB | OUTA    | OUTB |
| $V_{VCCI\_GND} < V_{VCCI\_ON}$ during device start up | H      | L   | L       | L    |
| $V_{VCCI\_GND} < V_{VCCI\_ON}$ during device start up | L      | H   | L       | L    |
| $V_{VCCI\_GND} < V_{VCCI\_ON}$ during device start up | H      | H   | L       | L    |
| $V_{VCCI\_GND} < V_{VCCI\_ON}$ during device start up | L      | L   | L       | L    |
| $V_{VCCI\_GND} < V_{VCCI\_OFF}$ after device start up | H      | L   | L       | L    |
| $V_{VCCI\_GND} < V_{VCCI\_OFF}$ after device start up | L      | H   | L       | L    |
| $V_{VCCI\_GND} < V_{VCCI\_OFF}$ after device start up | H      | H   | L       | L    |
| $V_{VCCI\_GND} < V_{VCCI\_OFF}$ after device start up | L      | L   | L       | L    |

(1)  $V_{DDx} > V_{DD\_ON}$ .

**Table 8-2. VDDx UVLO Feature Logic (1)**

| CONDITION  | INA    | INB | OUTA    | OUTB |
|--|--------|-----|---------|------|
|  | INPUTS |     | OUTPUTS |      |
| VDD-VSS < V <sub>VDD_ON</sub> during device start up | H      | L   | L       | L    |
| VDD-VSS < V <sub>VDD_ON</sub> during device start up | L      | H   | L       | L    |
| VDD-VSS < V <sub>VDD_ON</sub> during device start up | H      | H   | L       | L    |
| VDD-VSS < V <sub>VDD_ON</sub> during device start up | L      | L   | L       | L    |
| VDD-VSS < V <sub>VDD_OFF</sub> after device start up | H      | L   | L       | L    |
| VDD-VSS < V <sub>VDD_OFF</sub> after device start up | L      | H   | L       | L    |
| VDD-VSS < V <sub>VDD_OFF</sub> after device start up | H      | H   | L       | L    |
| VDD-VSS < V <sub>VDD_OFF</sub> after device start up | L      | L   | L       | L    |

(1) VCCI > VCCI\_ON.

### 8.3.2 Input and Output Logic Table

**Table 8-3. INPUT/OUTPUT Logic Table (1) (2)**

Assume VCCI, VDDA, VDDDB are powered up (see Section 8.3.1 for more information on UVLO operation modes). Table 8-3 shows the operation with INA, INB and DIS and the corresponding output state.

| INPUTS    |           | DIS | OUTPUTS |      | NOTE   |
|-----------|-----------|-----|---------|------|--|
| INA       | INB       |     | OUTA    | OUTB |  |
| L         | L         | L   | L       | L    | UCC21540/A, UCC21541:<br>If the dead time function is used, output transitions occur after the dead time expires. See Section 8.4.2. |
| L         | H         | L   | L       | H    |  |
| H         | L         | L   | H       | L    |  |
| H         | H         | L   | L       | L    | UCC21540/A, UCC21541:<br>DT is programmed with R <sub>DT</sub> .   |
| H         | H         | L   | H       | H    | UCC21540/A, UCC21541:<br>DT pin pulled high to VCCI<br>UCC21542: Default operation   |
| Left Open | Left Open | L   | L       | L    |  |
| X         | X         | H   | L       | L    | Bypass using a ≥1-nF low ESR/ESL capacitor close to DIS pin when connecting to a micro-controller with distance.                     |

(1) "X" means L, H or left open.

(2) For improved noise immunity, TI recommends connecting INA, INB, and DIS to GND, and DT to VCCI, when these pins are not used.

### 8.3.3 Input Stage

The input pins (INA, INB, and DIS) of the UCC2154x is based on a TTL and CMOS compatible input-threshold logic that is totally isolated from the VDD supply voltage of the output channels. The input pins are easy to drive with logic-level control signals (such as those from 3.3-V microcontrollers), since the UCC2154x has a typical high threshold (V<sub>INAH</sub>) of 1.8 V and a typical low threshold of 1 V, which vary little with temperature (see and ). A wide hysteresis (V<sub>INA\_HYS</sub>) of 0.8 V makes for good noise immunity and stable operation. If any of the inputs are ever left open, internal pull-down resistors force the pin low. These resistors are typically 200 kΩ for INA/B and DIS (see Section 8.2). TI recommends grounding any unused inputs.

The amplitude of any signal applied to the inputs should not exceed the voltage at the VCCI pin. The UCC2154x cannot be driven from an analog controller with an output voltage greater than the VCCI voltage.

### 8.3.4 Output Stage

The UCC2154x output stage features a pull-up structure which delivers the highest peak-source current when it is most needed: during the Miller plateau region of the power-switch turn on transition (when the power switch drain or collector voltage experiences  $dV/dt$ ). The output stage pull-up structure features a P-channel MOSFET and an additional *pull-up* N-channel MOSFET in parallel. The function of the N-channel MOSFET is to provide a boost in the peak-sourcing current, enabling fast turn on. This is accomplished by briefly turning on the N-channel MOSFET during a narrow instant when the output is changing states from low to high. The on-resistance of this N-channel MOSFET ( $R_{NMOS}$ ) for UCC21540 is approximately  $1.47\text{-}\Omega$  when activated, and  $R_{NMOS}$  is approximately  $3.2\text{-}\Omega$  for UCC21541.

The  $R_{OH}$  parameter is a DC measurement and it is representative of the on-resistance of the P-channel device only. This is because the *pull-up* N-channel device is held in the off state in DC condition and is turned on only for a brief instant when the output is changing states from low to high. Therefore the effective resistance of the UCC2154x pull-up stage during this brief turn-on phase is much lower than what is represented by the  $R_{OH}$  parameter.

The pull-down structure of the UCC2154x is composed of an N-channel MOSFET. The  $R_{OL}$  parameter, which is also a DC measurement, is representative of the impedance of the pull-down state in the device. The output voltage swings between VDD and VSS for rail-to-rail operation.

To ensure robust and reliable operation of gate drivers, pay special attention to the minimum pulse width. The minimum pulse width shown in the electrical characteristics table describes the minimum input pulse that would be passed to the output in an unloaded driver. This is dictated by the deglitch filter present in the driver IC. An input ON or OFF pulse width longer than the maximum specification is needed to guarantee an output state change and avoid potential shoot-through. With a loaded driver, extra precaution must be taken to ensure robust operation of the system. During gate switching, if the output state changes before the driver completes each transition, a non-zero current switching event occurs. Combined with layout parasitics, non-zero current switching can cause internal rail overshoot and EOS damage of the gate driver. Thus, a minimum output width is needed for reliable system operation. This minimum output pulse width is dependent on several factors: gate capacitance, VDD supply voltage, gate resistance, and PCB layout parasitics. The minimum pulse width for robust operation might be magnitudes larger than the minimum pulse width shown in the electrical characteristics table. System-level study should be carried out to determine the minimum output pulse width required for each system.

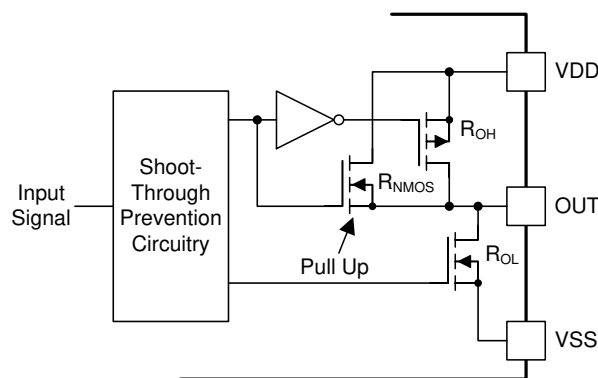
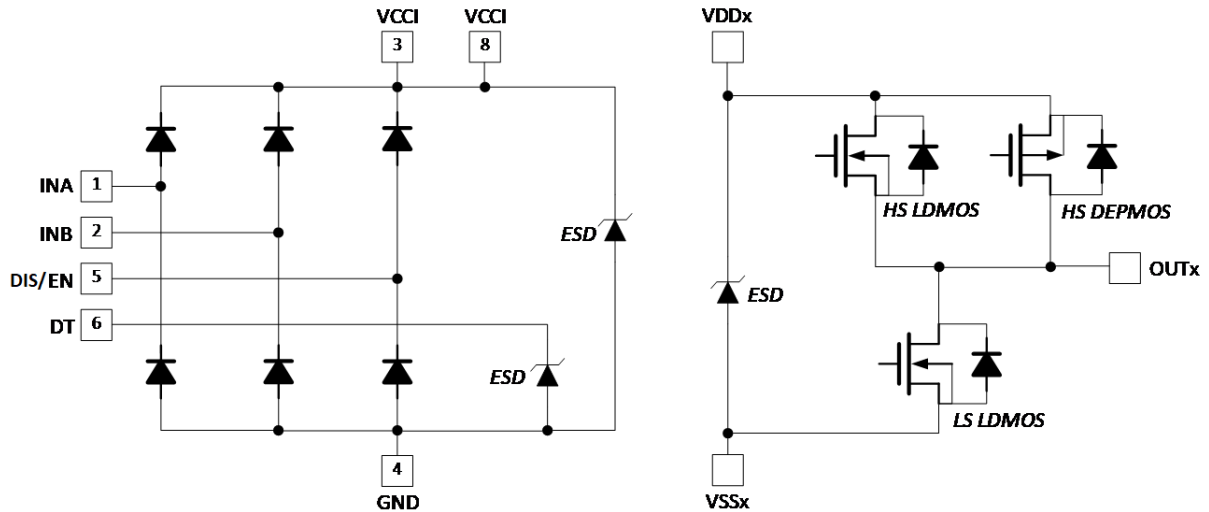


Figure 8-2. Output Stage

### 8.3.5 Diode Structure in the UCC2154x

Figure 8-3 illustrates the multiple diodes involved in the ESD protection components. This provides a pictorial representation of the absolute maximum rating for the device.



**Figure 8-3. ESD Structure**

## 8.4 Device Functional Modes

### 8.4.1 Disable Pin

When the DIS pin is set high, both outputs are shut down simultaneously. When the DIS pin is set low, the UCC2154x operates normally. Bypass using a  $\approx 1$ -nF low ESR/ESL capacitor close to DIS pin when connecting to a micro-controller with distance. The DIS circuit logic structure is similar compared to INA or INB. The DIS pin is only functional (and necessary) when VCCI stays above the UVLO threshold. It is recommended to tie this pin to GND if the DIS pin is not used to achieve better noise immunity.

### 8.4.2 Programmable Dead Time (DT) Pin

The UCC21540/A and UCC21541 allows the user to adjust dead time (DT) in the following ways:

#### 8.4.2.1 DT Pin Tied to VCCI

Outputs completely match inputs, so no minimum dead time is asserted. This allows the outputs to overlap. TI recommends connecting this pin directly to VCCI if it is not used to achieve better noise immunity.

#### 8.4.2.2 Connecting a Programming Resistor between DT and GND Pins

Program  $t_{DT}$  by placing a resistor,  $R_{DT}$ , between the DT pin and GND. TI recommends bypassing this pin with a ceramic capacitor,  $\leq 1$ nF, close to DT pin to achieve better noise immunity. The appropriate  $R_{DT}$  value can be determined from:

$$t_{DT} \approx 10 \times R_{DT} \quad (1)$$

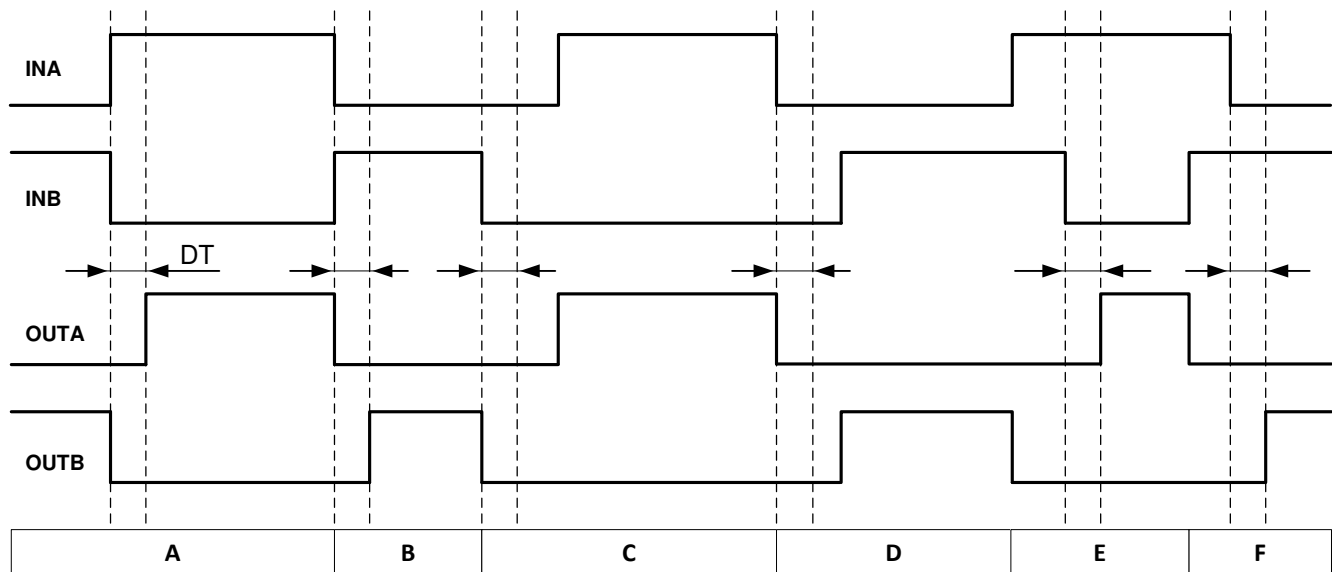
where

- $t_{DT}$  is the programmed dead time, in nanoseconds.
- $R_{DT}$  is the value of resistance between DT pin and GND, in kilo-ohms.

$R_{DT}$  programs a small current at this pin, which sets the dead time. As the value of  $R_{DT}$  increases, the current sourced by the DT pin decreases. The DT pin current will be less than 10  $\mu$ A when  $R_{DT} = 100$  k $\Omega$ . For larger values of  $R_{DT}$ , TI recommends placing  $R_{DT}$  and a ceramic capacitor,  $\leq 1$ nF, as close to the DT pin as possible to achieve greater noise immunity and better dead time matching between both channels.

The falling edge of an input signal initiates the programmed dead time for the other signal. The programmed dead time is the minimum enforced duration in which both outputs are held low by the driver. The outputs may also be held low for a duration greater than the programmed dead time, if the INA and INB signals include a dead time duration greater than the programmed minimum. If both inputs are high simultaneously, both outputs

will immediately be set low. This feature is used to prevent shoot-through in half-bridge applications, and it does not affect the programmed dead time setting for normal operation. Various driver dead time logic operating conditions are illustrated and explained below.



**Figure 8-4. Input and Output Logic Relationship with Input Signals**

**Condition A:** INB goes low, INA goes high. INB sets OUTB low immediately and assigns the programmed dead time to OUTA. OUTA is allowed to go high after the programmed dead time.

**Condition B:** INB goes high, INA goes low. Now INA sets OUTA low immediately and assigns the programmed dead time to OUTB. OUTB is allowed to go high after the programmed dead time.

**Condition C:** INB goes low, INA is still low. INB sets OUTB low immediately and assigns the programmed dead time for OUTA. In this case, the input signal dead time is longer than the programmed dead time. When INA goes high after the duration of the input signal dead time, it immediately sets OUTA high.

**Condition D:** INA goes low, INB is still low. INA sets OUTA low immediately and assigns the programmed dead time to OUTB. In this case, the input signal dead time is longer than the programmed dead time. When INB goes high after the duration of the input signal dead time, it immediately sets OUTB high.

**Condition E:** INA goes high, while INB and OUTB are still high. To avoid overshoot, OUTB is immediately pulled low. After some time OUTB goes low and assigns the programmed dead time to OUTA. OUTB is already low. After the programmed dead time, OUTA is allowed to go high.

**Condition F:** INB goes high, while INA and OUTA are still high. To avoid overshoot, OUTA is immediately pulled low. After some time OUTA goes low and assigns the programmed dead time to OUTB. OUTA is already low. After the programmed dead time, OUTB is allowed to go high.

## 9 Application and Implementation

### Note

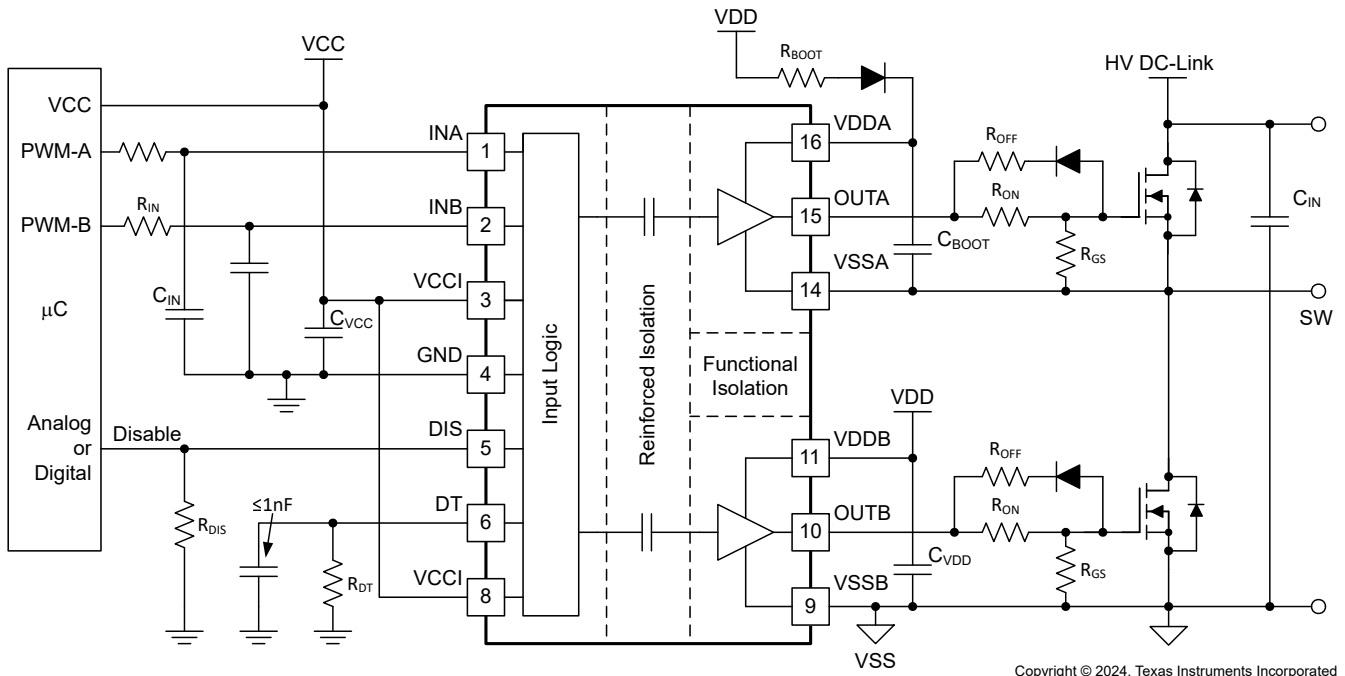
Information in the following applications sections is not part of the TI component specification, and TI does not warrant its accuracy or completeness. TI's customers are responsible for determining suitability of components for their purposes, as well as validating and testing their design implementation to confirm system functionality.

### 9.1 Application Information

The UCC2154x effectively combines both isolation and buffer-drive functions. The flexible, universal capability of the UCC2154x (with up to 5.5-V VCCI and 18-V VDDA/VDDB) allows the device to be used as a low-side, high-side, high-side/low-side or half-bridge driver for MOSFETs, IGBTs or GaN transistor. With integrated components, advanced protection features (UVLO, dead time, and disable) and optimized switching performance, the UCC2154x enables designers to build smaller, more robust designs for enterprise, telecom, automotive, and industrial applications with a faster time to market.

### 9.2 Typical Application

The circuit in [Figure 9-1](#) shows a reference design with the UCC2154x driving a typical half-bridge configuration which could be used in several popular power converter topologies such as synchronous buck, synchronous boost, half-bridge/full bridge isolated topologies, and 3-phase motor drive applications.



**Figure 9-1. Typical Application Schematic**

## 9.2.1 Design Requirements

Table 9-1 lists reference design parameters for the example application: UCC2154x driving 650-V MOSFETs in a high side-low side configuration.

**Table 9-1. UCC2154x Design Requirements**

| PARAMETER                             | VALUE  | UNITS |
|---------------------------------------|--|-------|
| Power transistor                      | 650-V, 150-mΩ R <sub>DS_ON</sub> with 12-V V <sub>GS</sub> | —     |
| VCC                                   | 5.0  | V     |
| VDD                                   | 12   | V     |
| Input signal amplitude                | 3.3  | V     |
| Switching frequency (f <sub>s</sub> ) | 100  | kHz   |
| Dead Time                             | 200  | ns    |
| DC link voltage                       | 400  | V     |

## 9.2.2 Detailed Design Procedure

### 9.2.2.1 Designing INA/INB Input Filter

It is recommended that users avoid shaping the signals to the gate driver in an attempt to slow down (or delay) the signal at the output. However, a small input R<sub>IN</sub>-C<sub>IN</sub> filter can be used to filter out the ringing introduced by non-ideal layout or long PCB traces.

Such a filter should use an R<sub>IN</sub> in the range of 0 Ω to 100 Ω and a C<sub>IN</sub> between 10 pF and 100 pF. In the example, an R<sub>IN</sub> = 51 Ω and a C<sub>IN</sub> = 33 pF are selected, with a corner frequency of approximately 100 MHz.

When selecting these components, it is important to pay attention to the trade-off between good noise immunity and propagation delay.

### 9.2.2.2 Select Dead Time Resistor and Capacitor

From Equation 1, a 20-kΩ resistor is selected to set the dead time to 200 ns. A ≤1nF capacitor is placed in parallel close to the DT pin to improve noise immunity.

### 9.2.2.3 Select External Bootstrap Diode and Its Series Resistor

The bootstrap capacitor is charged by VDD through an external bootstrap diode every cycle when the low side transistor turns on. Charging the capacitor involves high-peak currents, and therefore transient power dissipation in the bootstrap diode may be significant. Conduction loss also depends on the diode's forward voltage drop. Both the diode conduction losses and reverse recovery losses contribute to the total losses in the gate driver circuit.

When selecting external bootstrap diodes, TI recommends choosing high voltage, fast recovery diodes or SiC Schottky diodes with a low forward voltage drop and low junction capacitance in order to minimize the loss introduced by reverse recovery and related grounding noise bouncing. In the example, the DC-link voltage is 400 V<sub>DC</sub>. The voltage rating of the bootstrap diode should be higher than the DC-link voltage with a good margin. Therefore, a 600-V ultrafast diode, MURA160T3G, is chosen in this example.

A bootstrap resistor, R<sub>BOOT</sub>, is used to reduce the inrush current in D<sub>BOOT</sub> and limit the ramp up slew rate of voltage of VDDA-VSSA during each switching cycle, especially when the VSSA(SW) pin has an excessive negative transient voltage. The recommended value for R<sub>BOOT</sub> is between 1 Ω and 20 Ω depending on the diode used. In the example, a current limiting resistor of 2.7 Ω is selected to limit the inrush current of bootstrap diode. The estimated worst case peak current through D<sub>Boot</sub> is, as follows:

$$I_{DBoot(pk)} = \frac{V_{DD} - V_{BDF}}{R_{Boot}} = \frac{12V - 1.5V}{2.7\Omega} \approx 4A \quad (2)$$

where

- $V_{BDF}$  is the estimated bootstrap diode forward voltage drop around 4 A.

Failure to limit the voltage to  $V_{DDx}$ - $V_{SSx}$  to less than the Absolute Maximum Ratings of the FET and UCC2154x may result in permanent damage to the device in certain cases.

#### 9.2.2.4 Gate Driver Output Resistor

The external gate driver resistors,  $R_{ON}/R_{OFF}$ , are used to:

- Limit ringing caused by parasitic inductances/capacitances.
- Limit ringing caused by high voltage/current switching  $dv/dt$ ,  $di/dt$ , and body-diode reverse recovery.
- Fine-tune gate drive strength, i.e. peak sink and source current to optimize the switching loss.
- Reduce electromagnetic interference (EMI).

As mentioned in [Section 8.3.4](#), the UCC2154x has a pull-up structure with a P-channel MOSFET and an additional *pull-up* N-channel MOSFET in parallel. The combined peak source current is 4 A. Therefore, the peak source current can be predicted with:

$$I_{OA+} = \min\left(4A, \frac{V_{DD} - V_{BDF}}{R_{NMOS} \parallel R_{OH} + R_{ON} + R_{GFET\_Int}}\right) \quad (3)$$

$$I_{OB+} = \min\left(4A, \frac{V_{DD}}{R_{NMOS} \parallel R_{OH} + R_{ON} + R_{GFET\_Int}}\right) \quad (4)$$

where

- $R_{ON}$ : External turn-on resistance.
- $R_{GFET\_INT}$ : Power transistor internal gate resistance, found in the power transistor datasheet.
- $I_{O+}$  = Peak source current – The minimum value between 4 A, the gate driver peak source current, and the calculated value based on the gate drive loop resistance.

In this example:

$$I_{OA+} = \frac{V_{DD} - V_{BDF}}{R_{NMOS} \parallel R_{OH} + R_{ON} + R_{GFET\_Int}} = \frac{12V - 0.8V}{1.47\Omega \parallel 5\Omega + 2.2\Omega + 1.5\Omega} \approx 2.3A \quad (5)$$

$$I_{OB+} = \frac{V_{DD}}{R_{NMOS} \parallel R_{OH} + R_{ON} + R_{GFET\_Int}} = \frac{12V}{1.47\Omega \parallel 5\Omega + 2.2\Omega + 1.5\Omega} \approx 2.5A \quad (6)$$

Therefore, the high-side and low-side peak source current is 2.3 A and 2.5 A respectively. Similarly, the peak sink current can be calculated with:

$$I_{OA-} = \min\left(6A, \frac{V_{DD} - V_{BDF} - V_{GDF}}{R_{OL} + R_{OFF} \parallel R_{ON} + R_{GFET\_Int}}\right) \quad (7)$$

$$I_{OB-} = \min\left(6A, \frac{V_{DD} - V_{GDF}}{R_{OL} + R_{OFF} \parallel R_{ON} + R_{GFET\_Int}}\right) \quad (8)$$

where

- $R_{OFF}$ : External turn-off resistance,  $R_{OFF}=0$  in this example;

- $V_{GDF}$ : The anti-parallel diode forward voltage drop which is in series with  $R_{OFF}$ . The diode in this example is an MSS1P4.
- $I_{O-}$ : Peak sink current – the minimum value between 6 A, the gate driver peak sink current, and the calculated value based on the gate drive loop resistance.

In this example,

$$I_{OA-} = \frac{V_{DD} - V_{BDF} - V_{GDF}}{R_{OL} + R_{OFF} \parallel R_{ON} + R_{GFET\_Int}} = \frac{12V - 0.8V - 0.85V}{0.55\Omega + 0\Omega + 1.5\Omega} \approx 5.0A \quad (9)$$

$$I_{OB-} = \frac{V_{DD} - V_{GDF}}{R_{OL} + R_{OFF} \parallel R_{ON} + R_{GFET\_Int}} = \frac{12V - 0.85V}{0.55\Omega + 0\Omega + 1.5\Omega} \approx 5.4A \quad (10)$$

Therefore, the high-side and low-side peak sink current is 5.0 A and 5.4A respectively.

Importantly, the estimated peak current is also influenced by PCB layout and load capacitance. Parasitic inductance in the gate driver loop can slow down the peak gate drive current and introduce overshoot and undershoot. Therefore, it is strongly recommended that the gate driver loop should be minimized. On the other hand, the peak source/sink current is dominated by loop parasitics when the load capacitance ( $C_{ISS}$ ) of the power transistor is very small (typically less than 1 nF), because the rising and falling time is too small and close to the parasitic ringing period.

Failure to control OUTx voltage to less than the Absolute Maximum Ratings in the datasheet (including transients) may result in permanent damage to the device in certain cases. To reduce excessive gate ringing, it is recommended to use a ferrite bead near the gate of the FET. External clamping diodes can also be added in the case of extended overshoot/undershoot, in order to clamp the OUTx voltage to the VDDx and VSSx voltages.

#### 9.2.2.5 Gate to Source Resistor Selection

A gate to source resistor, RGS, is recommended to pull down the gate to the source voltage when the gate driver output is unpowered and in an indeterminate state. This resistor also helps to mitigate the risk of dv/dt induced turn-on due to Miller current before the gate driver is able to turn on and actively pull low. This resistor is typically sized between 5.1k $\Omega$  and 20k $\Omega$ , depending on the Vth and ratio of CGD to CGS of the power device.

#### 9.2.2.6 Estimating Gate Driver Power Loss

The total loss,  $P_G$ , in the gate driver subsystem includes the power losses of the UCC2154x ( $P_{GD}$ ) and the power losses in the peripheral circuitry, such as the external gate drive resistor. Bootstrap diode loss is not included in  $P_G$  and not discussed in this section.

$P_{GD}$  is the key power loss which determines the thermal safety-related limits of the UCC2154x, and it can be estimated by calculating losses from several components.

The first component is the static power loss,  $P_{GDQ}$ , which includes quiescent power loss on the driver as well as driver self-power consumption when operating with a certain switching frequency.  $P_{GDQ}$  is measured on the bench with no load connected to OUTA and OUTB at a given VCCI, VDDA/VDDB, switching frequency and ambient temperature. [Figure 6-8](#) shows the operating current consumption vs. operating frequency with no load. In this example,  $V_{VCCI} = 5V$  and  $V_{VDD} = 12V$ . The current on each power supply, with INA/INB switching from 0V to 3.3V at 100 kHz is measured to be  $I_{VCCI} \approx 2.5mA$ , and  $I_{VDDA} = I_{VDDB} \approx 1.5mA$ . Therefore, the  $P_{GDQ}$  can be calculated with

$$P_{GDQ} = V_{VCCI} \times I_{VCCI} + V_{VDDA} \times I_{DDB} + V_{VDDB} \times I_{DDB} = 50mW \quad (11)$$

The second component is switching operation loss,  $P_{GDO}$ , with a given load capacitance which the driver charges and discharges the load during each switching cycle. Total dynamic loss due to load switching,  $P_{GSW}$ , can be estimated with

$$P_{GSW} = 2 \times V_{DD} \times Q_G \times f_{SW} \quad (12)$$

where

- $Q_G$  is the gate charge of the power transistor.

If a split rail is used to turn on and turn off, then  $V_{DD}$  is going to be equal to difference between the positive rail to the negative rail.

So, for this example application:

$$P_{GSW} = 2 \times 12V \times 100nC \times 100kHz = 240mW \quad (13)$$

$Q_G$  represents the total gate charge of the power transistor switching 480 V at 14 A provided by the datasheet, and is subject to change with different testing conditions. The UCC2154x gate driver loss on the output stage,  $P_{GDO}$ , is part of  $P_{GSW}$ .  $P_{GDO}$  will be equal to  $P_{GSW}$  if the external gate driver resistances are zero, and all the gate driver loss is dissipated inside the UCC2154x. If there are external turn-on and turn-off resistances, the total loss will be distributed between the gate driver pull-up/down resistances and external gate resistances. Importantly, the pull-up/down resistance is a linear and fixed resistance if the source/sink current is not saturated to 4 A/6 A, however, it will be non-linear if the source/sink current is saturated. Therefore,  $P_{GDO}$  is different in these two scenarios.

#### Case 1 - Linear Pull-Up/Down Resistor:

$$P_{GDO} = \frac{P_{GSW}}{2} \times \left( \frac{R_{OH} \parallel R_{NMOS}}{R_{OH} \parallel R_{NMOS} + R_{ON} + R_{GFET\_Int}} + \frac{R_{OL}}{R_{OL} + R_{OFF} \parallel R_{ON} + R_{GFET\_Int}} \right) \quad (14)$$

In this design example, all the predicted source/sink currents are less than 4 A/6 A, therefore, the UCC2154x gate driver loss can be estimated with:

$$P_{GDO} = \frac{240mW}{2} \times \left( \frac{5\Omega \parallel 1.47\Omega}{5\Omega \parallel 1.47\Omega + 2.2\Omega + 1.5\Omega} + \frac{0.55\Omega}{0.55\Omega + 0\Omega + 1.5\Omega} \right) \approx 60mW \quad (15)$$

#### Case 2 - Nonlinear Pull-Up/Down Resistor:

$$P_{GDO} = 2 \times f_{SW} \times \left[ 4A \times \int_0^{T_{R\_Sys}} (V_{DD} - V_{OUTA/B}(t)) dt + 6A \times \int_0^{T_{F\_Sys}} V_{OUTA/B}(t) dt \right] \quad (16)$$

where

- $V_{OUTA/B}(t)$  is the gate driver OUTA and OUTB pin voltage during the turn on and off transient, and it can be simplified that a constant current source (4 A at turn-on and 6 A at turn-off) is charging/discharging a load capacitor. Then, the  $V_{OUTA/B}(t)$  waveform will be linear and the  $T_{R\_Sys}$  and  $T_{F\_Sys}$  can be easily predicted.

For some scenarios, if only one of the pull-up or pull-down circuits is saturated and another one is not, the  $P_{GDO}$  will be a combination of Case 1 and Case 2, and the equations can be easily identified for the pull-up

and pull-down based on the above discussion. Therefore, total gate driver loss dissipated in the gate driver UCC2154x  $P_{GD}$ , is:

$$P_{GD} = P_{GDQ} + P_{GDO} \quad (17)$$

which is equal to 127 mW in the design example.

### 9.2.2.7 Estimating Junction Temperature

The junction temperature of the UCC21540/UCC2154x can be estimated with:

$$T_J = T_C + \Psi_{JT} \times P_{GD} \quad (18)$$

where

- $T_J$  is the junction temperature.
- $T_C$  is the UCC2154x case-top temperature measured with a thermocouple or some other instrument.
- $\Psi_{JT}$  is the junction-to-top characterization parameter from the [Section 6.4](#) table.

Using the junction-to-top characterization parameter ( $\Psi_{JT}$ ) instead of the junction-to-case thermal resistance ( $R_{\theta JC}$ ) can greatly improve the accuracy of the junction temperature estimation. The majority of the thermal energy of most ICs is released into the PCB through the package leads, whereas only a small percentage of the total energy is released through the top of the case (where thermocouple measurements are usually conducted).  $R_{\theta JC}$  can only be used effectively when most of the thermal energy is released through the case, such as with metal packages or when a heatsink is applied to an IC package. In all other cases, use of  $R_{\theta JC}$  will inaccurately estimate the true junction temperature.  $\Psi_{JT}$  is experimentally derived by assuming that the amount of energy leaving through the top of the IC will be similar in both the testing environment and the application environment. As long as the recommended layout guidelines are observed, junction temperature estimates can be made accurately to within a few degrees Celsius. For more information, see the [Section 11.1](#) and [Semiconductor and IC Package Thermal Metrics application report](#).

### 9.2.2.8 Selecting VCCI, VDDA/B Capacitor

Bypass capacitors for VCCI, VDDA, and VDDB are essential for achieving reliable performance. TI recommends choosing low ESR and low ESL surface-mount multi-layer ceramic capacitors (MLCC) with sufficient voltage ratings, temperature coefficients and capacitance tolerances. Importantly, DC bias on an MLCC will impact the actual capacitance value. For example, a 25-V, 1- $\mu$ F X7R capacitor is measured to be only 500 nF when a DC bias of 15  $V_{DC}$  is applied.

#### 9.2.2.8.1 Selecting a VCCI Capacitor

A bypass capacitor connected to VCCI supports the transient current needed for the primary logic and the total current consumption, which is only a few mA. Therefore, a 25-V MLCC with over 100 nF is recommended for this application. If the bias power supply output is a relatively long distance from the VCCI pin, a tantalum or electrolytic capacitor, with a value over 1  $\mu$ F, should be placed in parallel with the MLCC.

#### 9.2.2.8.2 Selecting a VDDA (Bootstrap) Capacitor

A VDDA capacitor, also referred to as a *bootstrap capacitor* in bootstrap power supply configurations, allows for gate drive current transients up to 4-A, the source peak current, and needs to maintain a stable gate drive voltage for the power transistor.

The total charge needed per switching cycle can be estimated with

$$Q_{Total} = Q_G + \frac{I_{VDD} @ 100kHz (No Load)}{f_{SW}} = 100nC + \frac{1.5mA}{100kHz} = 115nC \quad (19)$$

where

- $Q_{\text{Total}}$ : Total charge needed
- $Q_G$ : Gate charge of the power transistor.
- $I_{\text{VDD}}$ : The channel self-current consumption with no load at 100kHz.
- $f_{\text{SW}}$ : The switching frequency of the gate driver

Therefore, the absolute minimum  $C_{\text{Boot}}$  requirement is:

$$C_{\text{Boot}} = \frac{Q_{\text{Total}}}{\Delta V_{\text{VDDA}}} = \frac{115\text{nC}}{0.5\text{V}} = 230\text{nF} \quad (20)$$

where

- $\Delta V_{\text{VDDA}}$  is the voltage ripple at VDDA, which is 0.5 V in this example.

In practice, the value of  $C_{\text{Boot}}$  is greater than the calculated value. This allows for the capacitance shift caused by the DC bias voltage and for situations where the power stage would otherwise skip pulses due to load transients. Therefore, it is recommended to include a margin in the  $C_{\text{Boot}}$  value and place it as close to the VDD and VSS pins as possible. A 50-V 1- $\mu\text{F}$  capacitor is chosen in this example.

$$C_{\text{Boot}} = 1\mu\text{F} \quad (21)$$

Care should be taken when selecting the bootstrap capacitor to ensure that the VDD to VSS voltage does not drop below the recommended minimum operating level listed in section 6.3. The value of the bootstrap capacitor should be sized such that it can supply the initial charge to switch the power device, and then continuously supply the gate driver quiescent current for the duration of the high-side on-time.

If the high-side supply voltage drops below the UVLO falling threshold, the high-side gate driver output will turn off and switch the power device off. Uncontrolled hard-switching of power devices can cause high di/dt and high dv/dt transients on the output of the driver and may result in permanent damage to the device.

To further lower the AC impedance for a wide frequency range, it is recommended to have bypass capacitor placed very close to VDDx - VSSx pins with a low ESL/ESR. In this example a 100 nF, X7R ceramic capacitor, is placed in parallel with  $C_{\text{Boot}}$  to optimize the transient performance.

#### Note

Too large  $C_{\text{BOOT}}$  is not good.  $C_{\text{BOOT}}$  may not be charged within the first few cycles and  $V_{\text{BOOT}}$  could stay below UVLO. As a result, the high-side FET does not follow input signal command. Also during initial  $C_{\text{BOOT}}$  charging cycles, the bootstrap diode has highest reverse recovery current and losses.

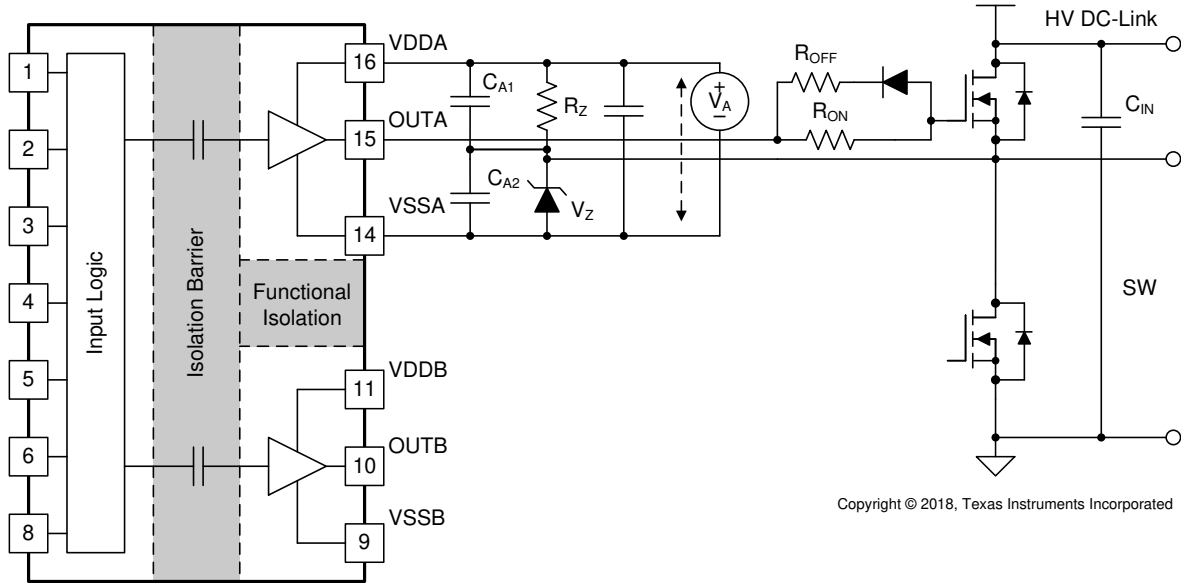
#### 9.2.2.8.3 Select a VDDB Capacitor

Channel B has the same current requirements as channel A, therefore, a VDDB capacitor (shown as  $C_{\text{VDD}}$  in Figure 9-1) is needed. In this example with a bootstrap configuration, the VDDB capacitor will also supply current for VDDA through the bootstrap diode. A 50-V, 10- $\mu\text{F}$  MLCC and a 50-V, 220-nF MLCC are chosen for  $C_{\text{VDD}}$ . If the bias power supply output is a relatively long distance from the VDDB pin, a tantalum or electrolytic capacitor with a value over 10  $\mu\text{F}$ , should be used in parallel with  $C_{\text{VDD}}$ .

#### 9.2.2.9 Application Circuits with Output Stage Negative Bias

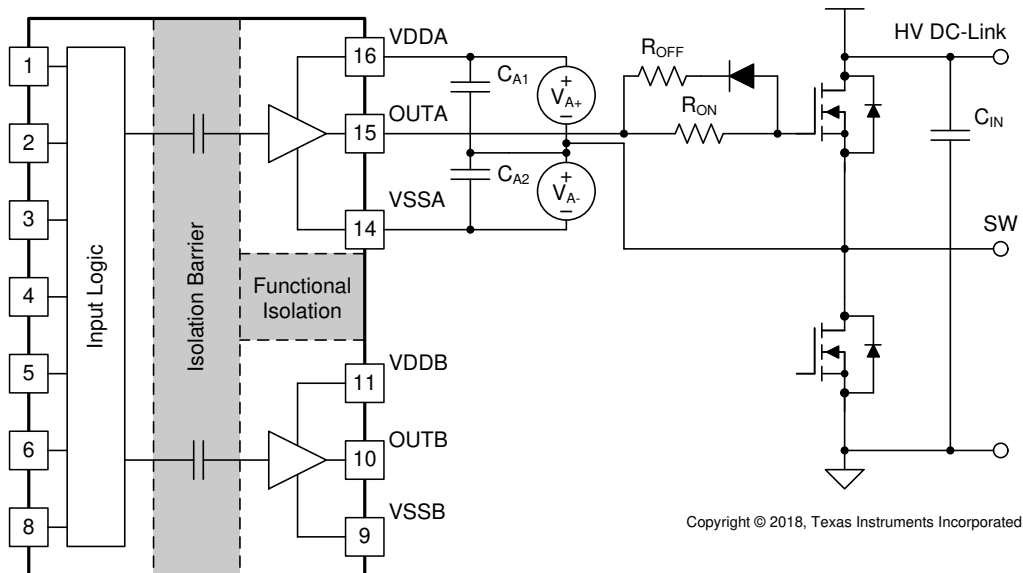
When parasitic inductances are introduced by non-ideal PCB layout and long package leads (e.g. TO-220 and TO-247 type packages), there could be ringing in the gate-source drive voltage of the power transistor during high di/dt and dv/dt switching. If the ringing is over the threshold voltage, there is the risk of unintended turn-on and even shoot-through. Applying a negative bias on the gate drive is a popular way to keep such ringing below the threshold. Below are a few examples of implementing negative gate drive bias.

Figure 9-2 shows the first example with negative bias turn-off on the channel-A driver using a Zener diode on the isolated power supply output stage. The negative bias is set by the Zener diode voltage. If the isolated power supply,  $V_A$ , is equal to 17 V, the turn-off voltage will be  $-5.1$  V and turn-on voltage will be  $17$  V  $- 5.1$  V  $\approx 12$  V. The channel-B driver circuit is the same as channel-A, therefore, this configuration needs two power supplies for a half-bridge configuration, and there will be steady state power consumption from  $R_Z$ .



**Figure 9-2. Negative Bias with Zener Diode on Iso-Bias Power Supply Output**

Figure 9-3 shows another example which uses two supplies (or single-input-double-output power supply). Power supply  $V_{A+}$  determines the positive drive output voltage and  $V_{A-}$  determines the negative turn-off voltage. The configuration for channel B is the same as channel A. This solution requires more power supplies than the first example, however, it provides more flexibility when setting the positive and negative rail voltages.

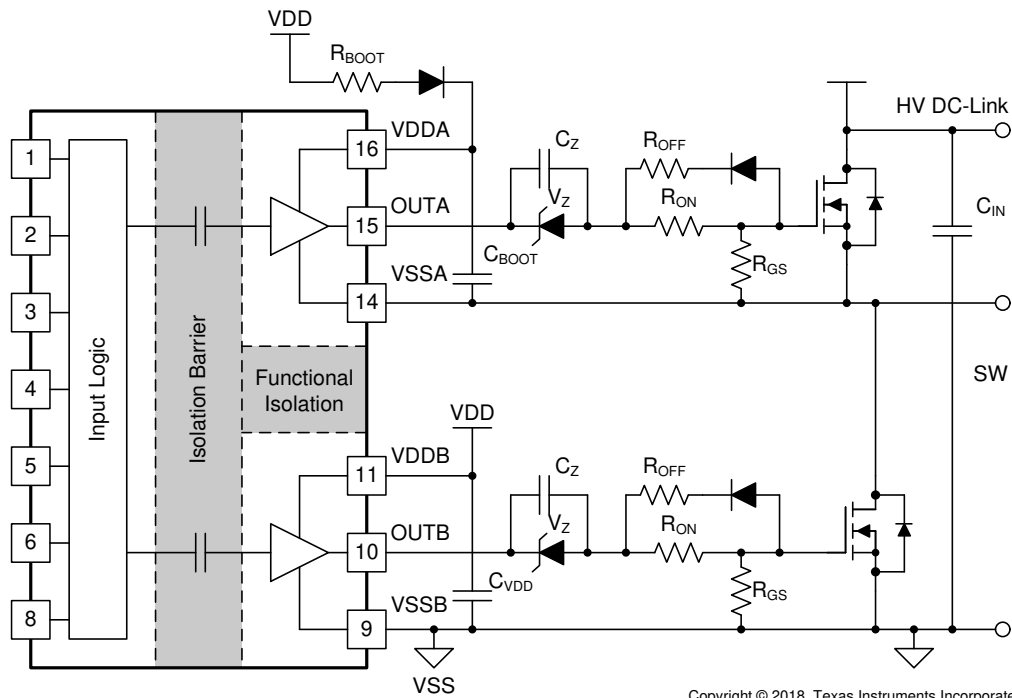


**Figure 9-3. Negative Bias with Two Iso-Bias Power Supplies**

The last example, shown in Figure 9-4, is a single power supply configuration and generates negative bias through a Zener diode in the gate drive loop. The benefit of this solution is that it only uses one power supply

and the bootstrap power supply can be used for the high side drive. This design requires the least cost and design effort among the three solutions. However, this solution has limitations:

1. The negative gate drive bias is not only determined by the Zener diode, but also by the duty cycle, which means the negative bias voltage will change when the duty cycle changes. Therefore, converters with a fixed duty cycle (~50%) such as variable frequency resonant converters or phase shift converters will favor this solution.
2. The high side VDDA-VSSA must maintain enough voltage to stay in the recommended power supply range, which means the low side switch must turn-on or have free-wheeling current on the body (or anti-parallel) diode for a certain period during each switching cycle to refresh the bootstrap capacitor. Therefore, a 100% duty cycle for the high side is not possible unless there is a dedicated power supply for the high side, like in the other two example circuits.



Copyright © 2018, Texas Instruments Incorporated

**Figure 9-4. Negative Bias with Single Power Supply and Zener Diode in Gate Drive Path**

### 9.2.3 Application Curves

Figure 9-5 and Figure 9-6 shows the bench test waveforms for the design example shown in Figure 9-1 under these conditions: VCC = 5.0 V, VDD = 12 V,  $f_{SW} = 100$  kHz,  $V_{DC-Link} = 400$  V.

**Channel 1 (Blue):** Gate-source signal on the high side power transistor.

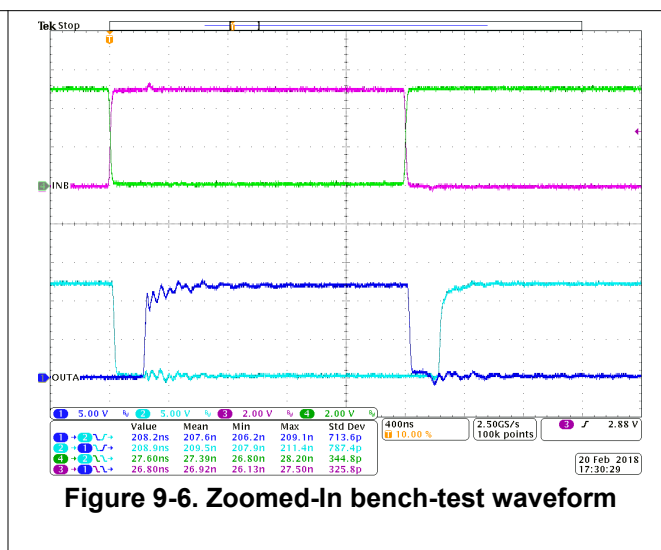
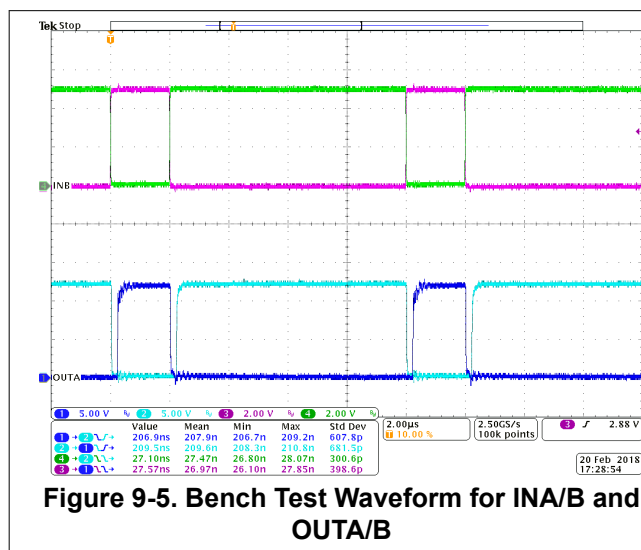
**Channel 2 (Cyan):** Gate-source signal on the low side power transistor.

**Channel 3 (Pink):** INA pin signal.

**Channel 4 (Green):** INB pin signal.

In Figure 9-5, INA and INB are sent complimentary 3.3-V, 20%/80% duty-cycle signals. The gate drive signals on the power transistor have a 200-ns dead time with 400V high voltage on the DC-Link, shown in the measurement section of Figure 9-5. Note that with high voltage present, lower bandwidth differential probes are required, which limits the achievable accuracy of the measurement.

Figure 9-6 shows a zoomed-in version of the waveform of Figure 9-5, with measurements for propagation delay and dead time. Importantly, the output waveform is measured between the power transistors' gate and source pins, and is not measured directly from the driver OUTA and OUTB pins.



## 10 Power Supply Recommendations

The recommended input supply voltage (VCCI) for the UCC2154x is between 3 V and 5.5 V. The output bias supply voltage (VDDA/VDDDB) ranges from 6.0 V to 18 V. The lower end of this bias supply range is governed by the internal under voltage lockout (UVLO) protection feature of each device. VDD and VCCI must not fall below their respective UVLO thresholds during normal operation. (For more information on UVLO see [Section 8.3.1](#)). The upper end of the VDDA/VDDDB range depends on the maximum gate voltage of the power device being driven by the UCC2154x. The recommended maximum VDDA/VDDDB is 18 V.

A local bypass capacitor should be placed between the VDD and VSS pins, to supply current when the output goes high into a capacitive load. This capacitor should be positioned as close to the device as possible to minimize parasitic impedance. A low ESR, ceramic surface mount capacitor is recommended. If the bypass capacitor impedance is too large, resistive and inductive parasitics could cause the supply voltage seen at the IC pins to dip below the UVLO threshold unexpectedly. To filter high frequency noise between VDD and VSS, it can be helpful to place a second capacitor with lower impedance at higher frequency. As an example, the primary bypass capacitor could be 1  $\mu$ F, with a secondary high frequency bypass capacitor of 100 nF.

Similarly, a bypass capacitor should also be placed between the VCCI and GND pins. Given the small amount of current drawn by the logic circuitry within the input side of the UCC2154x, this bypass capacitor has a minimum recommended value of 100 nF.

## 11 Layout

### 11.1 Layout Guidelines

Consider these PCB layout guidelines for in order to achieve optimum performance for the UCC2154x.

#### 11.1.1 Component Placement Considerations

- Low-ESR and low-ESL capacitors must be connected close to the device between the VCCI and GND pins and between the VDD and VSS pins to support high peak currents when turning on the external power transistor.
- To avoid large negative transients on the switch node VSSA (HS) pin in bridge configurations, the parasitic inductances between the source of the top transistor and the source of the bottom transistor must be minimized.
- To improve noise immunity when driving the DIS pin from a distant micro-controller or high impedance source, TI recommends adding a small bypass capacitor,  $\geq 1000$  pF, between the DIS pin and GND.
- If the dead time feature is used, TI recommends placing the programming resistor  $R_{DT}$  and bypassing capacitor close to the DT pin of the UCC2154x to prevent noise from unintentionally coupling to the internal dead time circuit. The capacitor should be  $\leq 1$  nF.

#### 11.1.2 Grounding Considerations

- It is essential to confine the high peak currents that charge and discharge the transistor gates to a minimal physical loop area. This will decrease the loop inductance and minimize noise on the gate terminals of the transistors. The gate driver must be placed as close as possible to the transistors.
- Pay attention to high current path that includes the bootstrap capacitor, bootstrap diode, local VSSB-referenced bypass capacitor, and the low-side transistor body/anti-parallel diode. The bootstrap capacitor is recharged on a cycle-by-cycle basis through the bootstrap diode by the VDD bypass capacitor. This recharging occurs in a short time interval and involves a high peak current. Minimizing this loop length and area on the circuit board is important for ensuring reliable operation.

#### 11.1.3 High-Voltage Considerations

- To ensure isolation performance between the primary and secondary side, avoid placing any PCB traces or copper below the driver device. A PCB cutout is recommended in order to prevent contamination that may compromise the isolation performance.
- For half-bridge or high-side/low-side configurations, maximize the clearance distance of the PCB layout between the high and low-side PCB traces. The DWK package has pin12 and pin13 removed and has a minimum 3.3mm creepage distance which allows higher bus voltage.

#### 11.1.4 Thermal Considerations

- A large amount of power may be dissipated by the UCC2154x if the driving voltage is high, the load is heavy, or the switching frequency is high (refer to [Section 9.2.2.6](#) for more details). Proper PCB layout can help dissipate heat from the device to the PCB and minimize junction to board thermal impedance ( $\theta_{JB}$ ).
- Increasing the PCB copper connecting to VDDA, VDDB, VSSA and VSSB pins is recommended, with priority on maximizing the connection to VSSA and VSSB (see [Figure 11-2](#) and [Figure 11-3](#)). However, high voltage PCB considerations mentioned above must be maintained.
- If there are multiple layers in the system, it is also recommended to connect the VDDA, VDDB, VSSA and VSSB pins to internal ground or power planes through multiple vias of adequate size. Ensure that no traces or copper from different high-voltage planes overlap.

## 11.2 Layout Example

Figure 11-1 shows a 2-layer PCB layout example with the signals and key components labeled for the SOIC-14 DW package, which has Pin 12 and Pin 13 removed. For more detailed information, please refer to the UCC21540EVM design - "Using the UCC21540EVM - TI"

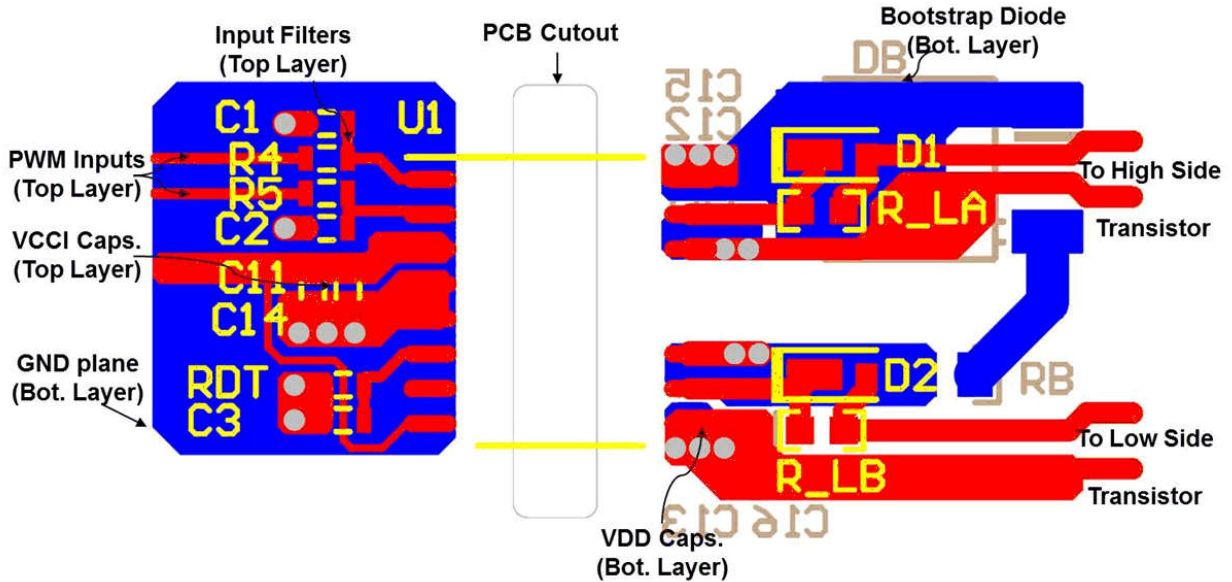


Figure 11-1. Layout Example

Figure 11-2 and Figure 11-3 shows top and bottom layer traces and copper.

### Note

There are no PCB traces or copper between the primary and secondary side, which ensures isolation performance.

PCB traces between the high-side and low-side gate drivers in the output stage are increased to maximize the creepage distance for high-voltage operation, which will also minimize cross-talk between the switching node VSSA (SW), where high  $dv/dt$  may exist, and the low-side gate drive due to the parasitic capacitance coupling.

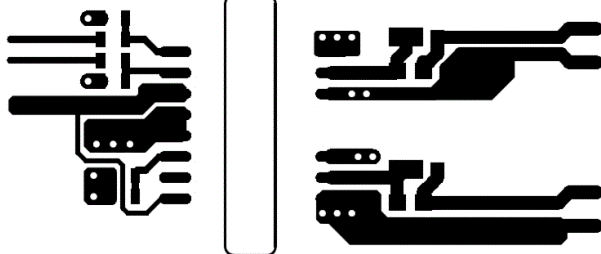


Figure 11-2. Top Layer Traces and Copper

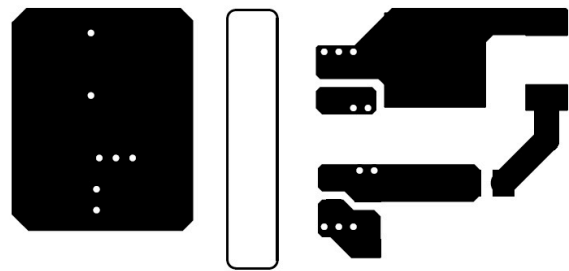


Figure 11-3. Bottom Layer Traces and Copper (Flipped)

Figure 11-4 and Figure 11-5 are 3-D layout pictures with top view and bottom views.

**Note**

The location of the PCB cutout between the primary side and secondary sides, which ensures isolation performance.

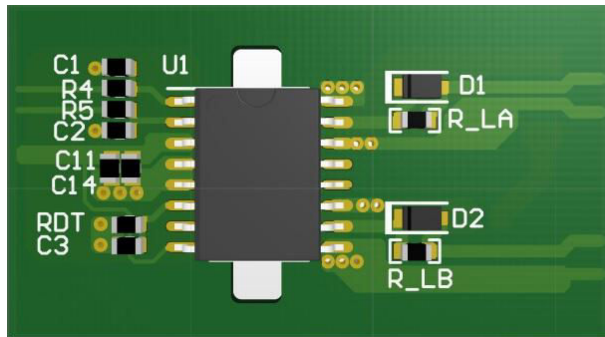


Figure 11-4. 3-D PCB Top View

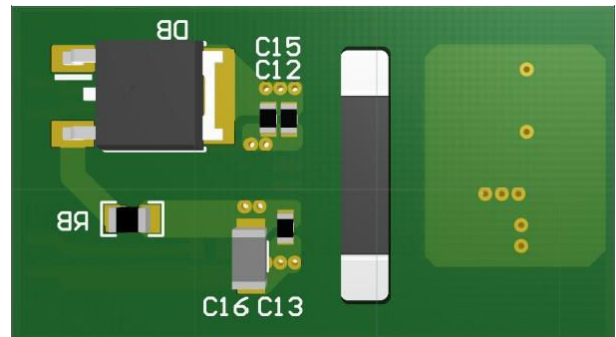


Figure 11-5. 3-D PCB Bottom View

## 12 Device and Documentation Support

### 12.1 Third-Party Products Disclaimer

TI'S PUBLICATION OF INFORMATION REGARDING THIRD-PARTY PRODUCTS OR SERVICES DOES NOT CONSTITUTE AN ENDORSEMENT REGARDING THE SUITABILITY OF SUCH PRODUCTS OR SERVICES OR A WARRANTY, REPRESENTATION OR ENDORSEMENT OF SUCH PRODUCTS OR SERVICES, EITHER ALONE OR IN COMBINATION WITH ANY TI PRODUCT OR SERVICE.

### 12.2 Documentation Support

#### 12.2.1 Related Documentation

For related documentation see the [Isolation Glossary](#)

### 12.3 Receiving Notification of Documentation Updates

To receive notification of documentation updates, navigate to the device product folder on [ti.com](#). Click on *Notifications* to register and receive a weekly digest of any product information that has changed. For change details, review the revision history included in any revised document.

### 12.4 Support Resources

[TI E2E™ support forums](#) are an engineer's go-to source for fast, verified answers and design help — straight from the experts. Search existing answers or ask your own question to get the quick design help you need.

Linked content is provided "AS IS" by the respective contributors. They do not constitute TI specifications and do not necessarily reflect TI's views; see TI's [Terms of Use](#).

### 12.5 Trademarks

TI E2E™ is a trademark of Texas Instruments.  
All trademarks are the property of their respective owners.

### 12.6 Electrostatic Discharge Caution



This integrated circuit can be damaged by ESD. Texas Instruments recommends that all integrated circuits be handled with appropriate precautions. Failure to observe proper handling and installation procedures can cause damage.

ESD damage can range from subtle performance degradation to complete device failure. Precision integrated circuits may be more susceptible to damage because very small parametric changes could cause the device not to meet its published specifications.

### 12.7 Glossary

[TI Glossary](#) This glossary lists and explains terms, acronyms, and definitions.

## 13 Revision History

NOTE: Page numbers for previous revisions may differ from page numbers in the current version.

| <b>Changes from Revision D (February 2021) to Revision E (November 2024)</b>               | <b>Page</b> |
|--|-------------|
| • Changed CMTI from greater than 100V/ns to greater than 125V/ns.....                      | 1           |
| • Changed propagation delay from 40ns max to 33ns typical.....                             | 1           |
| • Deleted bullet on 5-ns maximum delay matching.....                                       | 1           |
| • Changed maximum pulse width distortion from 5.5ns to 6ns.....                            | 1           |
| • Changed 35us maximum VDD power up delay to 10us maximum.....                             | 1           |
| • Updated certification to the latest standards.....                                       | 1           |
| • Updated per the latest industry and Texas Instruments data sheet standards.....          | 1           |
| • Changed minimum 100V/ns CMTI to 125V/ns.....   | 1           |
| • Deleted sentence on rejecting input transients shorter than 5ns.....                     | 1           |
| • Changed negative voltage handling from -2V for 200ns to -5V for 50ns for input pins..... | 1           |
| • Changed schematic DT capacitor size from >=2.2nF to <=1nF.....                           | 1           |

|   |    |
|---|----|
| • Changed recommended DT pin condition and capacitor size on DT pin.....  | 3  |
| • Changed VCCI absmax from 6V to 20V.....   | 6  |
| • Changed VDDA-VSSA and VDDB-VSSB absmax from 20V to 30V.....   | 6  |
| • Changing all -0.5V minimum to -0.3V to keep consistent with newly released datasheets.....  | 6  |
| • Changing all absolute maximum value from supply+0.5V to supply+0.3V to keep consistent with newly released datasheets.....  | 6  |
| • Changed input signal voltage transient test condition to 50ns and absolute minimum to -5V.....  | 6  |
| • Updated ESD spec from HBM = ±4000 and CDM = ±1500 to HBM = ±2000 and CDM = ±1000 to match ESD industry standards.....   | 6  |
| • Changed VCCI recommended max from 5.5V to 18V.....  | 6  |
| • Changed VDDA-VSSA and VDDB-VSSB recommended max from 18V to 25V.....  | 6  |
| • Changed 5V-UVLO recommended minimum VDDA/B voltage from 6V to 6.5V.....   | 6  |
| • Deleted ambient temperature spec.....   | 6  |
| • Changed junction temperature max from 130°C to 150°C.....   | 6  |
| • Updated DWK values from RθJA = 69.7°C/W, RθJC(top) = 33.1°C/W, RθJB = 29.0°C/W, ψJT = 20.0°C/W, ψJB = 28.3°C/W to RθJA = 74.1°C/W, RθJC(top) = 34.1°C/W, RθJB = 32.8°C/W, ψJT = 23.7°C/W, ψJB = 32.1°C/W..... | 7  |
| • Added DW package thermal information.....   | 7  |
| • Updated values from PD = 1775mW, PDI = 15mW, PDA/PDB = 880mW to PD = 950mW, PDI = 50mW, PDA/PDB = 450mW. Changed test conditions.....   | 7  |
| • Added VIMP = 7692Vpk and changed Viosm from 8000V to 10000V per latest insulation standard.....   | 7  |
| • Deleted safety related certifications section.....  | 7  |
| • Updated DWK values from IS = 73mA, PS = 15mW/880mW/880mW/1775mW to IS = 66mA, PS = 50mW/800mW/800mW/1650mW.....   | 8  |
| • Added DW safety limiting values.....  | 8  |
| • Changed test condition from VDDA=VDDB=12V to VDDA=VDDB=15V.....   | 10 |
| • Updated IVDDA/IVDDB quiescent current spec Max value from 1.8mA to 2.5mA.....   | 10 |
| • Updated IVCCI operating current Typ value from 2.5mA to 3.0mA and added Max value 3.5mA.....  | 10 |
| • Added IVDDA/IVDDB operating current Max = 4.2mA.....  | 10 |
| • Updated values from Rising threshold Min = 5.0V, Typ = 5.5V, Max = 5.9V to Min = 5.7V, Typ = 6.0V, Max = 6.3V.....  | 10 |
| • Updated values from Falling threshold Min = 4.7V, Typ = 5.2V, Max = 5.6V to Min = 5.4V, Typ = 5.7V, Max = 6.0V.....   | 10 |
| • Updated 8-V UVLO hysteresis typ = 0.5V to 0.6V.....   | 10 |
| • Updated values from Rising threshold Min = 8V, Typ = 8.5V, Max = 9V to Min = 7.7V, Typ = 8.5V, Max = 8.9V.....  | 10 |
| • Updated values from Rising threshold Min = 7.5V, Typ = 8V, Max = 8.5V to Min = 7.2V, Typ = 7.9V, Max = 8.4V.....  | 10 |
| • Updated Input high threshold Min value from 1.6V to 1.2V.....   | 10 |
| • Updated Input low threshold Max value from 1.25V to 1.2V.....   | 10 |
| • Deleted peak current minimum values for UCC21540/2.....   | 10 |
| • Deleted output resistance maximum values for UCC21540/2.....  | 10 |
| • Deleted output voltage at high state minimum. Changed typical value from 11.95V to 14.95V. Changed test condition from VDD=12V to VDD=15V for UCC21540/2.....   | 10 |
| • Deleted output voltage at low state maximum. Changed test condition from VDD=12V to VDD=15V for UCC21540/2.....   | 10 |
| • Changed driver active pull down typical value from 1.75V to 1.6V and max value from 2.1V to 2V.....   | 10 |
| • Deleted dead time matching rows.....  | 10 |
| • Changed test condition from VDDA=VDDB=12V to VDDA=VDDB=15V.....   | 11 |
| • Deleted minimum input pulse width typical value.....  | 11 |
| • Changed propagation delay TPDHL and TPDHL from Typ=28ns, Max = 40ns to Min = 26ns, Typ = 33ns, Max = 45ns.....  | 11 |
| • Changed pulse width distortion max from 5.5ns to 6ns for UCC21540/2.....  | 11 |

|   |    |
|---|----|
| • Changed propagation delay matching from Max = 5ns to Max = 6.5ns from TJ = -40C to -10C and Max = 5ns from TJ = -10C to 150C..... | 11 |
| • Deleted VCCI power up delay typical 40us and changed max from 59us to 50us.....   | 11 |
| • Deleted VDD power up delay typical 23us and changed max from 35us to 10us.....  | 11 |
| • Updated CMTI from Min = 100V/ns to 125V/ns.....   | 11 |
| • Updated thermal curves to match updated characteristics.....  | 12 |
| • Updated typical char plots to show device characteristics .....   | 14 |
| • Deleted language on deglitch filter. Changed minimum pulse width from 10ns typical to 20ns maximum. ....                          | 17 |
| • Changed recommended decoupling capacitor placement from 2.2nF or greater to ≤1nF.....   | 18 |
| • Changed UVLO delay timing.....  | 19 |
| • Updated functional block diagram.....   | 21 |
| • Changed clamping voltage typical value from 1.75V to 1.6V.....  | 22 |
| • Changed DIS pull-down resistor size from 50kOhm to 200kOhm.....   | 23 |
| • Added paragraph on minimum pulse width to Output Stage section.....   | 24 |
| • Updated ESD diode structure.....  | 24 |
| • Deleted incomplete sentence due to datasheet draft error.....   | 25 |
| • Changed DT capacitor recommendation from ≥2.2nF to ≤1nF .....   | 25 |
| • Deleted sentence on DT pin steady state voltage .....   | 25 |
| • Changed DT capacitor size in application schematic .....  | 27 |
| • Changed DT capacitor size from 2.2nF to ≤1nF.....   | 28 |
| • Changed DT capacitor recommendation from ≥2.2nF to ≤1nF.....  | 38 |

#### Changes from Revision C (November 2018) to Revision D (February 2021)

**Page**

|   |    |
|---|----|
| • Added initial release of the UCC21542 devices. ....                                     | 1  |
| • Added four additional device options .....  | 3  |
| • Added initial release of the UCC21542 devices to electrical characteristics table ..... | 10 |
| • Added initial release of the UCC21542 devices to switching characteristics table.....   | 11 |
| • Updated Reinforced Isolation Capacitor Life Time Projection Figure .....                | 12 |
| • Added description of UCC21542 functionality to programmable deadtime table .....        | 18 |
| • Added UCC21542 I/O logic to table.....  | 23 |

## 14 Mechanical, Packaging, and Orderable Information

The following pages include mechanical, packaging, and orderable information. This information is the most current data available for the designated devices. This data is subject to change without notice and revision of this document. For browser-based versions of this data sheet, refer to the left-hand navigation.

**PACKAGING INFORMATION**

| Orderable part number         | Status<br>(1) | Material type<br>(2) | Package   Pins  | Package qty   Carrier | RoHS<br>(3) | Lead finish/<br>Ball material<br>(4) | MSL rating/<br>Peak reflow<br>(5) | Op temp (°C) | Part marking<br>(6) |
|-------------------------------|---------------|----------------------|-----------------|-----------------------|-------------|--------------------------------------|-----------------------------------|--------------|---------------------|
| PUCC21540DW                   | Obsolete      | Preproduction        | SOIC (DW)   16  | -                     | -           | Call TI                              | Call TI                           | -            |                     |
| PUCC21541DW                   | Obsolete      | Preproduction        | SOIC (DW)   16  | -                     | -           | Call TI                              | Call TI                           | -            |                     |
| <a href="#">UCC21540ADWK</a>  | Obsolete      | Production           | SOIC (DWK)   14 | -                     | -           | Call TI                              | Call TI                           | -40 to 125   | UCC21540A           |
| <a href="#">UCC21540ADWKR</a> | Active        | Production           | SOIC (DWK)   14 | 2000   LARGE T&R      | Yes         | NIPDAU                               | Level-2-260C-1 YEAR               | -40 to 125   | UCC21540A           |
| UCC21540ADWKR.A               | Active        | Production           | SOIC (DWK)   14 | 2000   LARGE T&R      | Yes         | NIPDAU                               | Level-2-260C-1 YEAR               | -40 to 125   | UCC21540A           |
| UCC21540ADWKR.B               | Active        | Production           | SOIC (DWK)   14 | 2000   LARGE T&R      | Yes         | NIPDAU                               | Level-2-260C-1 YEAR               | -40 to 125   | UCC21540A           |
| <a href="#">UCC21540ADWR</a>  | Active        | Production           | SOIC (DW)   16  | 2000   LARGE T&R      | Yes         | NIPDAU                               | Level-2-260C-1 YEAR               | -40 to 125   | UCC21540A           |
| UCC21540ADWR.A                | Active        | Production           | SOIC (DW)   16  | 2000   LARGE T&R      | Yes         | NIPDAU                               | Level-2-260C-1 YEAR               | -40 to 125   | UCC21540A           |
| UCC21540ADWR.B                | Active        | Production           | SOIC (DW)   16  | 2000   LARGE T&R      | Yes         | NIPDAU                               | Level-2-260C-1 YEAR               | -40 to 125   | UCC21540A           |
| <a href="#">UCC21540DW</a>    | Obsolete      | Production           | SOIC (DW)   16  | -                     | -           | Call TI                              | Call TI                           | -40 to 125   | UCC21540            |
| <a href="#">UCC21540DWK</a>   | Obsolete      | Production           | SOIC (DWK)   14 | -                     | -           | Call TI                              | Call TI                           | -40 to 125   | UCC21540            |
| <a href="#">UCC21540DWKR</a>  | Active        | Production           | SOIC (DWK)   14 | 2000   LARGE T&R      | Yes         | NIPDAU                               | Level-2-260C-1 YEAR               | -40 to 125   | UCC21540            |
| UCC21540DWKR.A                | Active        | Production           | SOIC (DWK)   14 | 2000   LARGE T&R      | Yes         | NIPDAU                               | Level-2-260C-1 YEAR               | -40 to 125   | UCC21540            |
| UCC21540DWKR.B                | Active        | Production           | SOIC (DWK)   14 | 2000   LARGE T&R      | Yes         | NIPDAU                               | Level-2-260C-1 YEAR               | -40 to 125   | UCC21540            |
| <a href="#">UCC21540DWR</a>   | Active        | Production           | SOIC (DW)   16  | 2000   LARGE T&R      | Yes         | NIPDAU                               | Level-2-260C-1 YEAR               | -40 to 125   | UCC21540            |
| UCC21540DWR.A                 | Active        | Production           | SOIC (DW)   16  | 2000   LARGE T&R      | Yes         | NIPDAU                               | Level-2-260C-1 YEAR               | -40 to 125   | UCC21540            |
| UCC21540DWR.B                 | Active        | Production           | SOIC (DW)   16  | 2000   LARGE T&R      | Yes         | NIPDAU                               | Level-2-260C-1 YEAR               | -40 to 125   | UCC21540            |
| <a href="#">UCC21541DW</a>    | Obsolete      | Production           | SOIC (DW)   16  | -                     | -           | Call TI                              | Call TI                           | -40 to 125   | UCC21541            |
| <a href="#">UCC21541DWR</a>   | Active        | Production           | SOIC (DW)   16  | 2000   LARGE T&R      | Yes         | NIPDAU                               | Level-2-260C-1 YEAR               | -40 to 125   | UCC21541            |
| UCC21541DWR.A                 | Active        | Production           | SOIC (DW)   16  | 2000   LARGE T&R      | Yes         | NIPDAU                               | Level-2-260C-1 YEAR               | -40 to 125   | UCC21541            |
| UCC21541DWR.B                 | Active        | Production           | SOIC (DW)   16  | 2000   LARGE T&R      | Yes         | NIPDAU                               | Level-2-260C-1 YEAR               | -40 to 125   | UCC21541            |
| <a href="#">UCC21542ADWKR</a> | Active        | Production           | SOIC (DWK)   14 | 2000   LARGE T&R      | Yes         | NIPDAU                               | Level-2-260C-1 YEAR               | -40 to 125   | UCC21542A           |
| UCC21542ADWKR.A               | Active        | Production           | SOIC (DWK)   14 | 2000   LARGE T&R      | Yes         | NIPDAU                               | Level-2-260C-1 YEAR               | -40 to 125   | UCC21542A           |
| UCC21542ADWKR.B               | Active        | Production           | SOIC (DWK)   14 | 2000   LARGE T&R      | Yes         | NIPDAU                               | Level-2-260C-1 YEAR               | -40 to 125   | UCC21542A           |
| <a href="#">UCC21542DWKR</a>  | Active        | Production           | SOIC (DWK)   14 | 2000   LARGE T&R      | Yes         | NIPDAU                               | Level-2-260C-1 YEAR               | -40 to 125   | UCC21542            |
| UCC21542DWKR.A                | Active        | Production           | SOIC (DWK)   14 | 2000   LARGE T&R      | Yes         | NIPDAU                               | Level-2-260C-1 YEAR               | -40 to 125   | UCC21542            |
| UCC21542DWKR.B                | Active        | Production           | SOIC (DWK)   14 | 2000   LARGE T&R      | Yes         | NIPDAU                               | Level-2-260C-1 YEAR               | -40 to 125   | UCC21542            |
| UCC21542DWKRG4                | Active        | Production           | SOIC (DWK)   14 | 2000   LARGE T&R      | Yes         | NIPDAU                               | Level-2-260C-1 YEAR               | -40 to 125   | UCC21542            |
| UCC21542DWKRG4.A              | Active        | Production           | SOIC (DWK)   14 | 2000   LARGE T&R      | Yes         | NIPDAU                               | Level-2-260C-1 YEAR               | -40 to 125   | UCC21542            |

| Orderable part number       | Status<br>(1) | Material type<br>(2) | Package   Pins  | Package qty   Carrier | RoHS<br>(3) | Lead finish/<br>Ball material<br>(4) | MSL rating/<br>Peak reflow<br>(5) | Op temp (°C) | Part marking<br>(6) |
|-----------------------------|---------------|----------------------|-----------------|-----------------------|-------------|--------------------------------------|-----------------------------------|--------------|---------------------|
| UCC21542DWKRG4.B            | Active        | Production           | SOIC (DWK)   14 | 2000   LARGE T&R      | Yes         | NIPDAU                               | Level-2-260C-1 YEAR               | -40 to 125   | UCC21542            |
| <a href="#">UCC21542DWR</a> | Active        | Production           | SOIC (DW)   16  | 2000   LARGE T&R      | Yes         | NIPDAU                               | Level-2-260C-1 YEAR               | -40 to 125   | UCC21542            |
| UCC21542DWR.A               | Active        | Production           | SOIC (DW)   16  | 2000   LARGE T&R      | Yes         | NIPDAU                               | Level-2-260C-1 YEAR               | -40 to 125   | UCC21542            |
| UCC21542DWR.B               | Active        | Production           | SOIC (DW)   16  | 2000   LARGE T&R      | Yes         | NIPDAU                               | Level-2-260C-1 YEAR               | -40 to 125   | UCC21542            |

(1) **Status:** For more details on status, see our [product life cycle](#).

(2) **Material type:** When designated, preproduction parts are prototypes/experimental devices, and are not yet approved or released for full production. Testing and final process, including without limitation quality assurance, reliability performance testing, and/or process qualification, may not yet be complete, and this item is subject to further changes or possible discontinuation. If available for ordering, purchases will be subject to an additional waiver at checkout, and are intended for early internal evaluation purposes only. These items are sold without warranties of any kind.

(3) **RoHS values:** Yes, No, RoHS Exempt. See the [TI RoHS Statement](#) for additional information and value definition.

(4) **Lead finish/Ball material:** Parts may have multiple material finish options. Finish options are separated by a vertical ruled line. Lead finish/Ball material values may wrap to two lines if the finish value exceeds the maximum column width.

(5) **MSL rating/Peak reflow:** The moisture sensitivity level ratings and peak solder (reflow) temperatures. In the event that a part has multiple moisture sensitivity ratings, only the lowest level per JEDEC standards is shown. Refer to the shipping label for the actual reflow temperature that will be used to mount the part to the printed circuit board.

(6) **Part marking:** There may be an additional marking, which relates to the logo, the lot trace code information, or the environmental category of the part.

Multiple part markings will be inside parentheses. Only one part marking contained in parentheses and separated by a "-" will appear on a part. If a line is indented then it is a continuation of the previous line and the two combined represent the entire part marking for that device.

**Important Information and Disclaimer:** The information provided on this page represents TI's knowledge and belief as of the date that it is provided. TI bases its knowledge and belief on information provided by third parties, and makes no representation or warranty as to the accuracy of such information. Efforts are underway to better integrate information from third parties. TI has taken and continues to take reasonable steps to provide representative and accurate information but may not have conducted destructive testing or chemical analysis on incoming materials and chemicals. TI and TI suppliers consider certain information to be proprietary, and thus CAS numbers and other limited information may not be available for release.

In no event shall TI's liability arising out of such information exceed the total purchase price of the TI part(s) at issue in this document sold by TI to Customer on an annual basis.

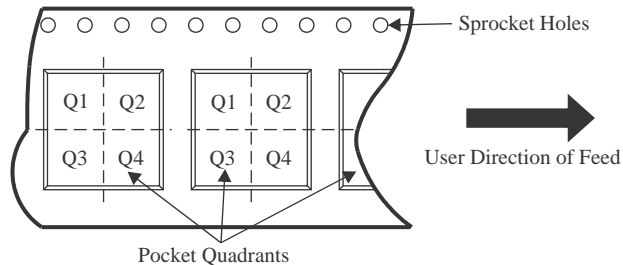
**OTHER QUALIFIED VERSIONS OF UCC21540, UCC21540A :**

- Automotive : [UCC21540-Q1](#), [UCC21540A-Q1](#)

NOTE: Qualified Version Definitions:

- Automotive - Q100 devices qualified for high-reliability automotive applications targeting zero defects

**TAPE AND REEL INFORMATION**

**QUADRANT ASSIGNMENTS FOR PIN 1 ORIENTATION IN TAPE**


\*All dimensions are nominal

| Device         | Package Type | Package Drawing | Pins | SPQ  | Reel Diameter (mm) | Reel Width W1 (mm) | A0 (mm) | B0 (mm) | K0 (mm) | P1 (mm) | W (mm) | Pin1 Quadrant |
|----------------|--------------|-----------------|------|------|--------------------|--------------------|---------|---------|---------|---------|--------|---------------|
| UCC21540ADWKR  | SOIC         | DWK             | 14   | 2000 | 330.0              | 16.4               | 10.75   | 10.7    | 2.7     | 12.0    | 16.0   | Q1            |
| UCC21540ADWR   | SOIC         | DW              | 16   | 2000 | 330.0              | 16.4               | 10.75   | 10.7    | 2.7     | 12.0    | 16.0   | Q1            |
| UCC21540ADWR   | SOIC         | DW              | 16   | 2000 | 330.0              | 16.4               | 10.75   | 10.7    | 2.7     | 12.0    | 16.0   | Q1            |
| UCC21540DWKR   | SOIC         | DWK             | 14   | 2000 | 330.0              | 16.4               | 10.75   | 10.7    | 2.7     | 12.0    | 16.0   | Q1            |
| UCC21540DWR    | SOIC         | DW              | 16   | 2000 | 330.0              | 16.4               | 10.75   | 10.7    | 2.7     | 12.0    | 16.0   | Q1            |
| UCC21541DWR    | SOIC         | DW              | 16   | 2000 | 330.0              | 16.4               | 10.75   | 10.7    | 2.7     | 12.0    | 16.0   | Q1            |
| UCC21542ADWKR  | SOIC         | DWK             | 14   | 2000 | 330.0              | 16.4               | 10.75   | 10.7    | 2.7     | 12.0    | 16.0   | Q1            |
| UCC21542DWKR   | SOIC         | DWK             | 14   | 2000 | 330.0              | 16.4               | 10.75   | 10.7    | 2.7     | 12.0    | 16.0   | Q1            |
| UCC21542DWKRG4 | SOIC         | DWK             | 14   | 2000 | 330.0              | 16.4               | 10.75   | 10.7    | 2.7     | 12.0    | 16.0   | Q1            |
| UCC21542DWR    | SOIC         | DW              | 16   | 2000 | 330.0              | 16.4               | 10.75   | 10.7    | 2.7     | 12.0    | 16.0   | Q1            |

**TAPE AND REEL BOX DIMENSIONS**


\*All dimensions are nominal

| Device         | Package Type | Package Drawing | Pins | SPQ  | Length (mm) | Width (mm) | Height (mm) |
|----------------|--------------|-----------------|------|------|-------------|------------|-------------|
| UCC21540ADWKR  | SOIC         | DWK             | 14   | 2000 | 356.0       | 356.0      | 35.0        |
| UCC21540ADWR   | SOIC         | DW              | 16   | 2000 | 356.0       | 356.0      | 35.0        |
| UCC21540ADWR   | SOIC         | DW              | 16   | 2000 | 356.0       | 356.0      | 35.0        |
| UCC21540DWKR   | SOIC         | DWK             | 14   | 2000 | 356.0       | 356.0      | 35.0        |
| UCC21540DWR    | SOIC         | DW              | 16   | 2000 | 356.0       | 356.0      | 35.0        |
| UCC21541DWR    | SOIC         | DW              | 16   | 2000 | 356.0       | 356.0      | 35.0        |
| UCC21542ADWKR  | SOIC         | DWK             | 14   | 2000 | 356.0       | 356.0      | 35.0        |
| UCC21542DWKR   | SOIC         | DWK             | 14   | 2000 | 356.0       | 356.0      | 35.0        |
| UCC21542DWKRG4 | SOIC         | DWK             | 14   | 2000 | 356.0       | 356.0      | 35.0        |
| UCC21542DWR    | SOIC         | DW              | 16   | 2000 | 356.0       | 356.0      | 35.0        |

## GENERIC PACKAGE VIEW

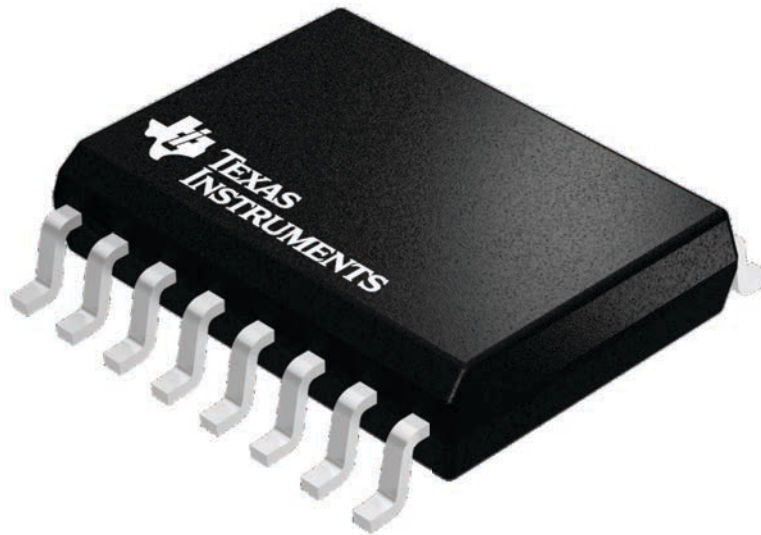
**DW 16**

**SOIC - 2.65 mm max height**

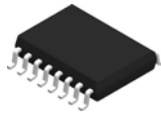
7.5 x 10.3, 1.27 mm pitch

SMALL OUTLINE INTEGRATED CIRCUIT

This image is a representation of the package family, actual package may vary.  
Refer to the product data sheet for package details.



4224780/A

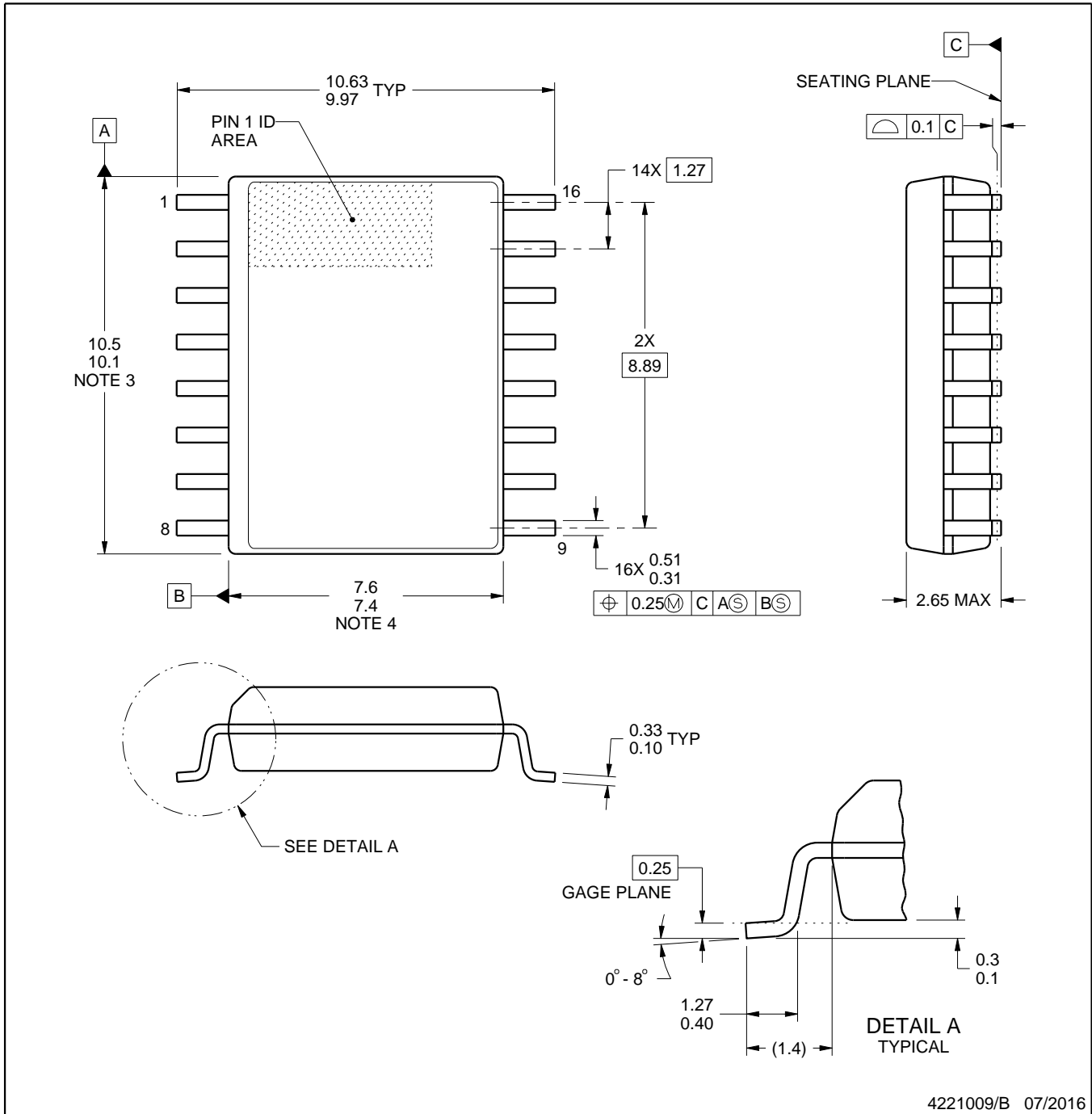


# DW0016B

# PACKAGE OUTLINE

## SOIC - 2.65 mm max height

SOIC



### NOTES:

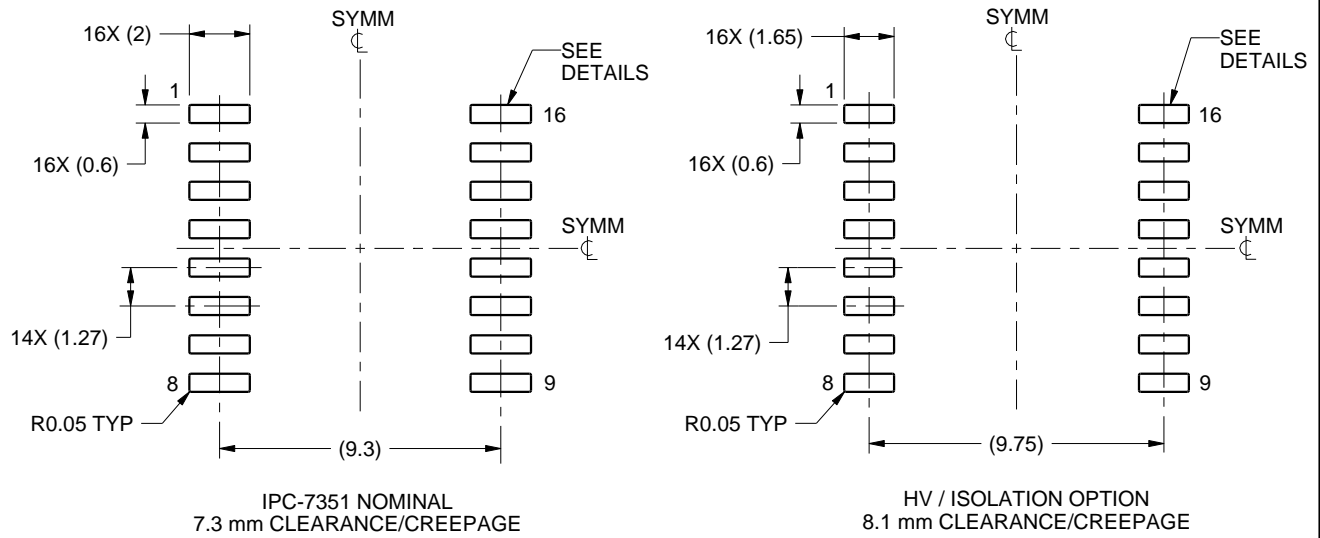
1. All linear dimensions are in millimeters. Dimensions in parenthesis are for reference only. Dimensioning and tolerancing per ASME Y14.5M.
2. This drawing is subject to change without notice.
3. This dimension does not include mold flash, protrusions, or gate burrs. Mold flash, protrusions, or gate burrs shall not exceed 0.15 mm, per side.
4. This dimension does not include interlead flash. Interlead flash shall not exceed 0.25 mm, per side.
5. Reference JEDEC registration MS-013.

# EXAMPLE BOARD LAYOUT

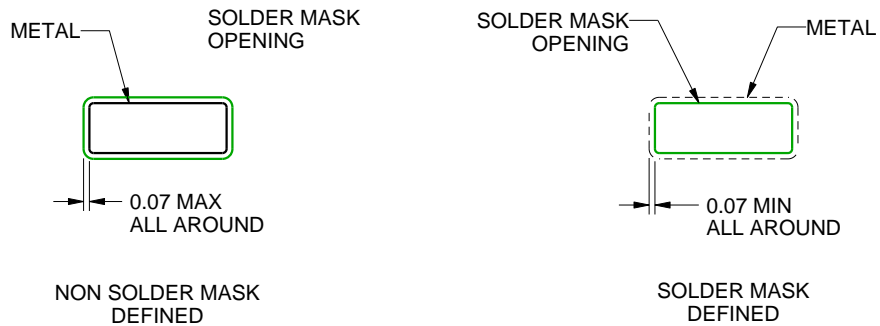
DW0016B

SOIC - 2.65 mm max height

SOIC



LAND PATTERN EXAMPLE  
SCALE:4X



SOLDER MASK DETAILS

4221009/B 07/2016

NOTES: (continued)

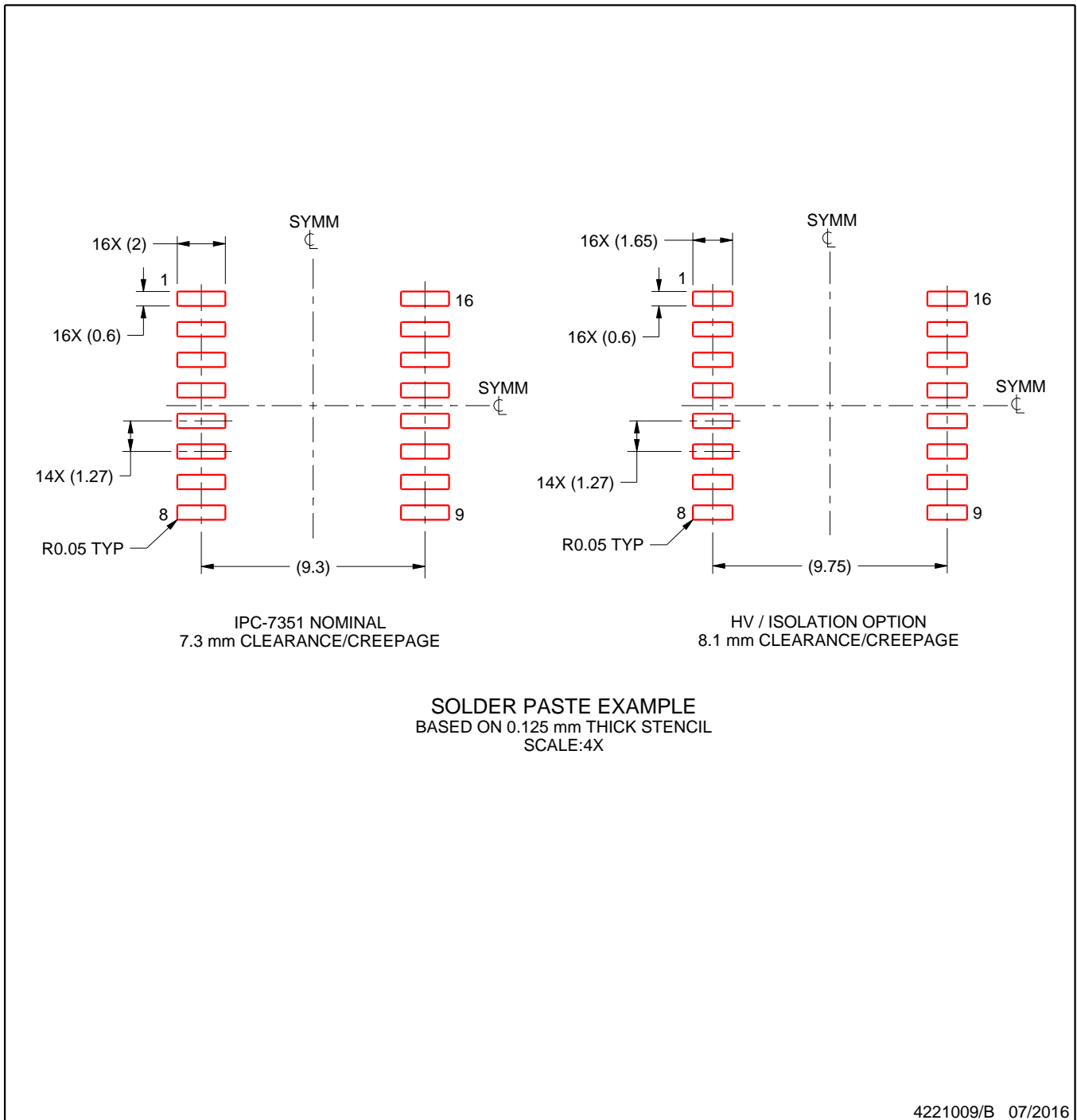
- 6. Publication IPC-7351 may have alternate designs.
- 7. Solder mask tolerances between and around signal pads can vary based on board fabrication site.

# EXAMPLE STENCIL DESIGN

DW0016B

SOIC - 2.65 mm max height

SOIC



NOTES: (continued)

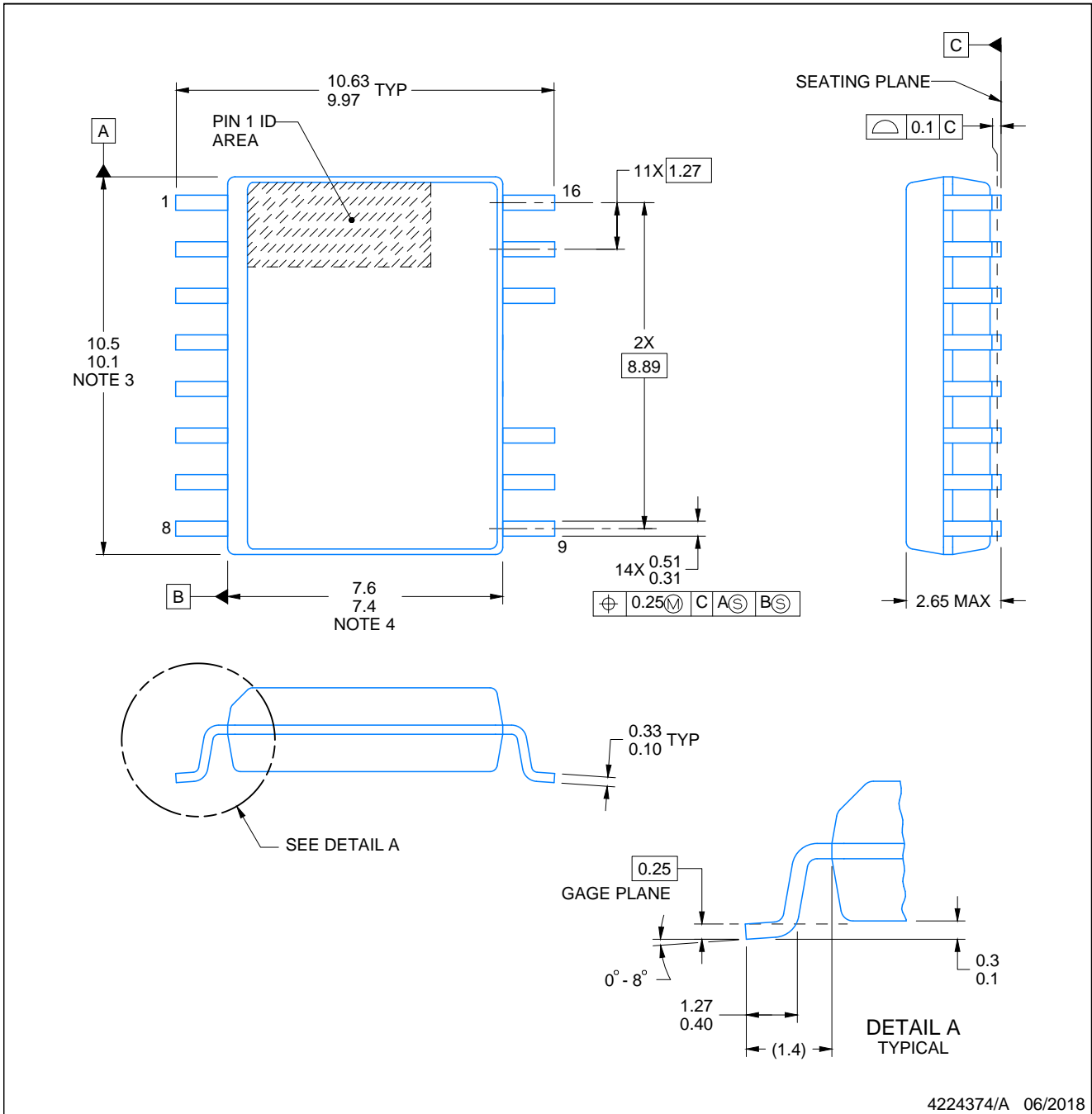
8. Laser cutting apertures with trapezoidal walls and rounded corners may offer better paste release. IPC-7525 may have alternate design recommendations.
9. Board assembly site may have different recommendations for stencil design.

# PACKAGE OUTLINE

DWK0014A

SOIC - 2.65 mm max height

SMALL OUTLINE INTEGRATED CIRCUIT



4224374/A 06/2018

NOTES:

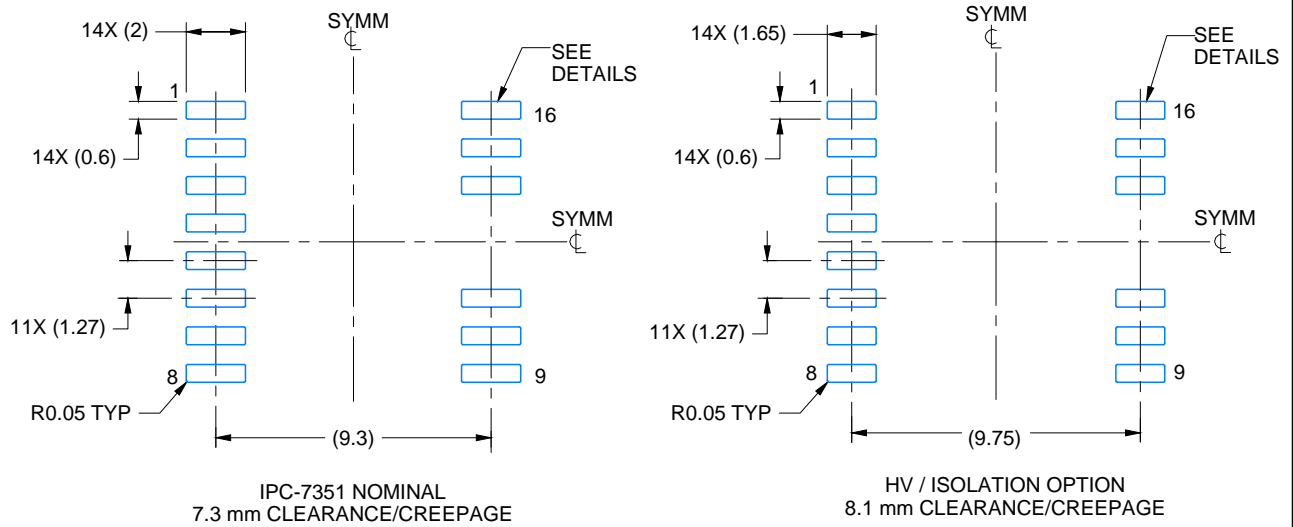
1. All linear dimensions are in millimeters. Dimensions in parenthesis are for reference only. Dimensioning and tolerancing per ASME Y14.5M.
2. This drawing is subject to change without notice.
3. This dimension does not include mold flash, protrusions, or gate burrs. Mold flash, protrusions, or gate burrs shall not exceed 0.15 mm, per side.
4. This dimension does not include interlead flash. Interlead flash shall not exceed 0.25 mm, per side.
5. Reference JEDEC registration MS-013.

# EXAMPLE BOARD LAYOUT

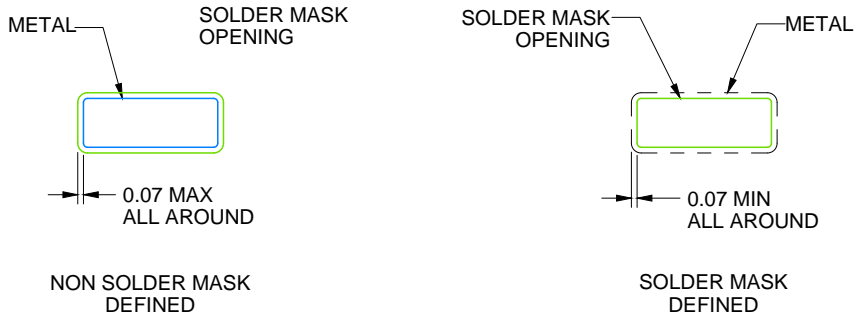
DWK0014A

SOIC - 2.65 mm max height

SMALL OUTLINE INTEGRATED CIRCUIT



LAND PATTERN EXAMPLE  
SCALE:4X



SOLDER MASK DETAILS

4224374/A 06/2018

NOTES: (continued)

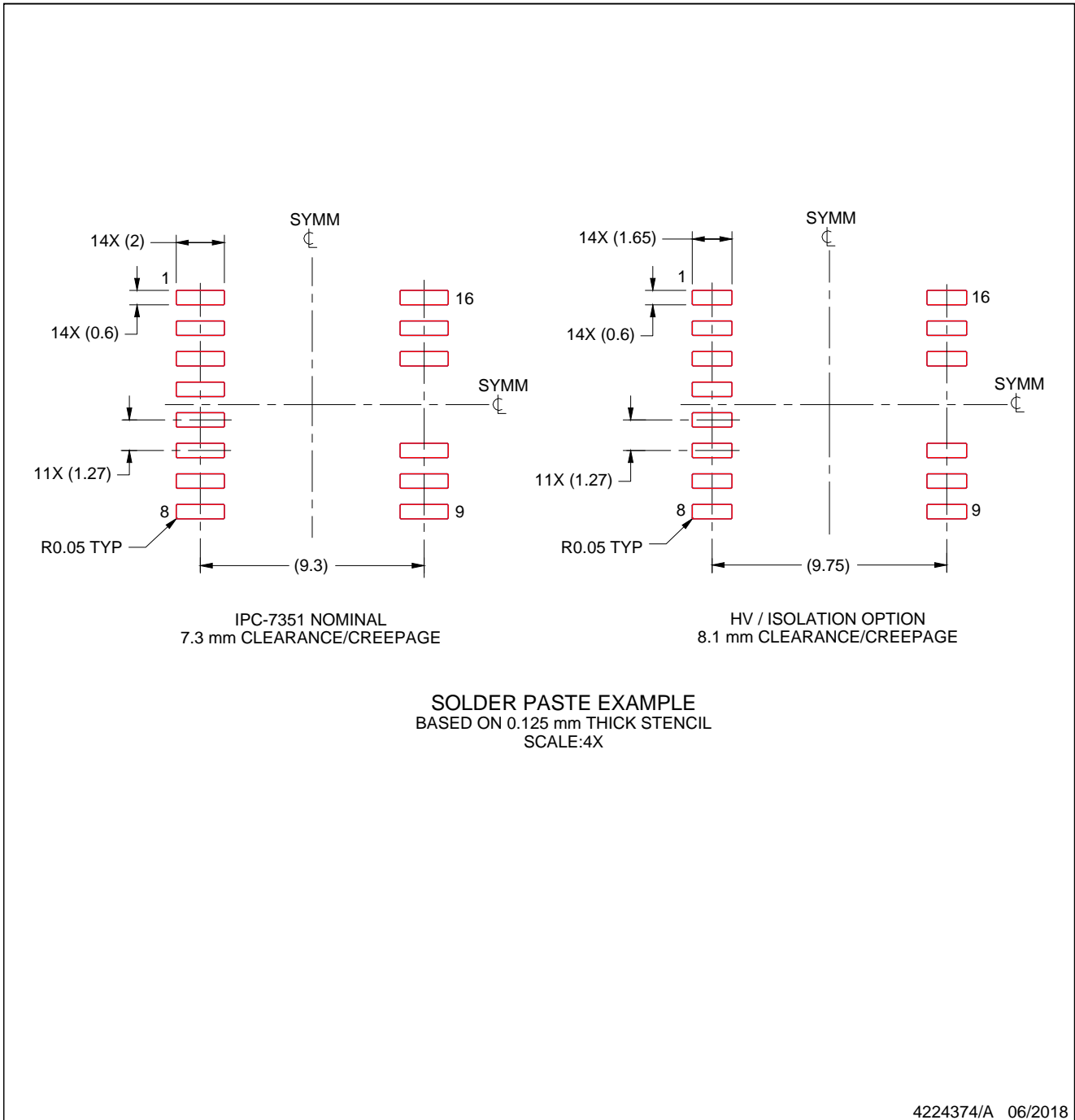
- 6. Publication IPC-7351 may have alternate designs.
- 7. Solder mask tolerances between and around signal pads can vary based on board fabrication site.

# EXAMPLE STENCIL DESIGN

DWK0014A

SOIC - 2.65 mm max height

SMALL OUTLINE INTEGRATED CIRCUIT



NOTES: (continued)

8. Laser cutting apertures with trapezoidal walls and rounded corners may offer better paste release. IPC-7525 may have alternate design recommendations.
9. Board assembly site may have different recommendations for stencil design.

## IMPORTANT NOTICE AND DISCLAIMER

TI PROVIDES TECHNICAL AND RELIABILITY DATA (INCLUDING DATA SHEETS), DESIGN RESOURCES (INCLUDING REFERENCE DESIGNS), APPLICATION OR OTHER DESIGN ADVICE, WEB TOOLS, SAFETY INFORMATION, AND OTHER RESOURCES "AS IS" AND WITH ALL FAULTS, AND DISCLAIMS ALL WARRANTIES, EXPRESS AND IMPLIED, INCLUDING WITHOUT LIMITATION ANY IMPLIED WARRANTIES OF MERCHANTABILITY, FITNESS FOR A PARTICULAR PURPOSE OR NON-INFRINGEMENT OF THIRD PARTY INTELLECTUAL PROPERTY RIGHTS.

These resources are intended for skilled developers designing with TI products. You are solely responsible for (1) selecting the appropriate TI products for your application, (2) designing, validating and testing your application, and (3) ensuring your application meets applicable standards, and any other safety, security, regulatory or other requirements.

These resources are subject to change without notice. TI grants you permission to use these resources only for development of an application that uses the TI products described in the resource. Other reproduction and display of these resources is prohibited. No license is granted to any other TI intellectual property right or to any third party intellectual property right. TI disclaims responsibility for, and you will fully indemnify TI and its representatives against, any claims, damages, costs, losses, and liabilities arising out of your use of these resources.

TI's products are provided subject to [TI's Terms of Sale](#) or other applicable terms available either on [ti.com](https://www.ti.com) or provided in conjunction with such TI products. TI's provision of these resources does not expand or otherwise alter TI's applicable warranties or warranty disclaimers for TI products.

TI objects to and rejects any additional or different terms you may have proposed.

Mailing Address: Texas Instruments, Post Office Box 655303, Dallas, Texas 75265

Copyright © 2025, Texas Instruments Incorporated