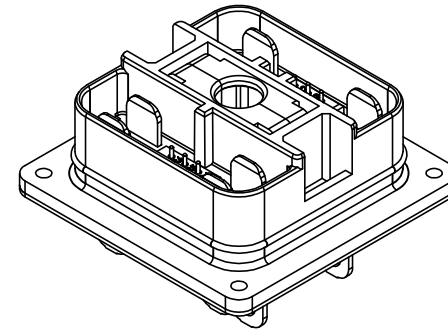
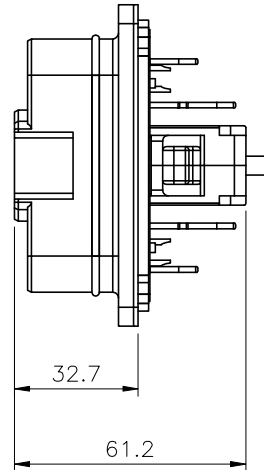
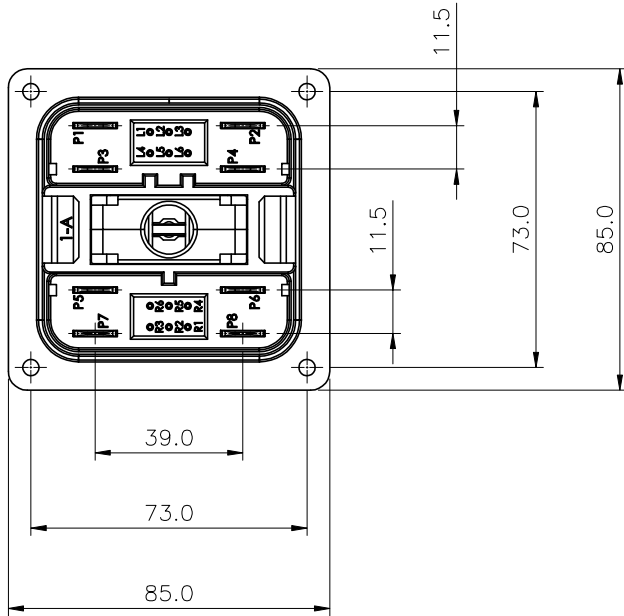



- \* Base: High Temperature Plastic UL 94V-0 Orange Color
- \* Cover: High Temperature Plastic UL 94V-0 Orange Color
- \* Power Pin: Copper
- \* Signal Pin: Copper Alloy

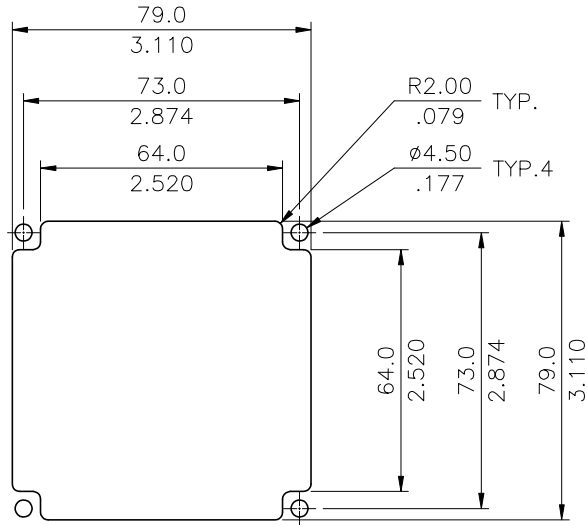
Characteristics:

- \* Rated current: 75A
- \* Rated voltage: 400V AC/DC
- \* Dielectric strength: 1800V AC
- \* Durability: 500 cycles
- \* Locking force: > 40 kgf
- \* Operating Temperature: -40°C ~ 125°C
- \* The products reserve the right to modify

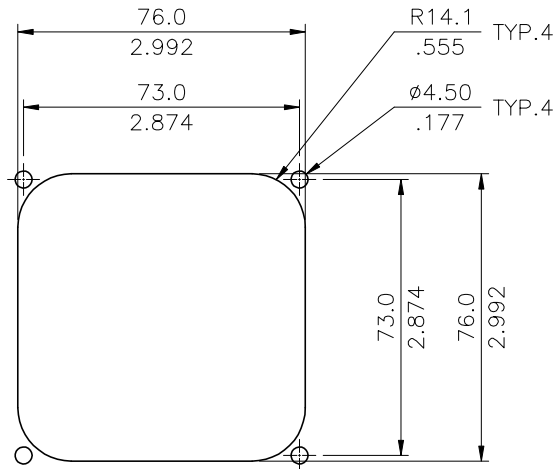


RoHS Compliant

4					DATE	UNIT: mm / inch		TITLE:	 瀚荃股份有限公司 CviLux Corporation		
3				DRAWN BY: Clark	11/18-22'	TOLERANCE UNLESS OTHERWISE SPECIFIED				MATERIAL:	
2				ENGINEER: Clark	11/18-22'	.X ± 0.30/.012	X' ± 1"	FINISH:	DRAWING NO. CPF201S3		
1				CHECKED BY: Eisley	11/18-22'	.XX ± 0.20/.008	.X' ±		PART NO. CPF28075SPA94BP0-0 CPF28075SPA94BP0-A		
SYM	NAME	DATE	REVISIONS	APPROVED BY: Eisley	11/18-22'	.XXX ± 0.10/.004	.XX' ±	SCALE	1 / 2	SHEET	1 OF 3



Recommended Panel Cutout (Front Mounting)




Recommended Panel Cutout (Rear Mounting)

### Ordering Code

CPF2 8 075 S P A 9 4 B P 0 - A  
 ① ② ③ ④ ⑤ ⑥ ⑦ ⑧ ⑨ ⑩ ⑪ ⑫

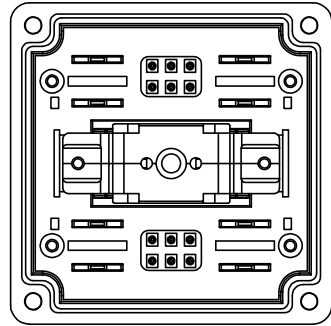
- ① Series No.
- ② No. of power pin: 8, 4
- ③ Current per pin: 075= 75A
- ④ Power pin plating:  
S= Silver plated
- ⑤ Connector Type: S= Receptacle  
P= Plug
- ⑥ Signal Type:  
A= 6+6  
B= 6+USB C(USB3.2 Gen2)  
C= 6+0
- ⑦ Signal pin plating:  
9= 5 $\mu$ " Gold plated over 50 $\mu$ " Nickel
- ⑧ Insulator color: 4= Orange
- ⑨ Lock Type:  
0= W/O Lock(2 in 1 Series)  
A= With Lock(Two-way Solenoid valve)  
B= With Lock(One-way Solenoid valve)
- ⑩ Prevention key option:  
0= W/O key  
P= With key
- ⑪ Options: 0= Front & Rear Mounting all available  
1= Front Mounting  
2= Rear Mounting
- ⑫ Product Safety Certification:  
-0 for UL 1977  
-A for UL 4128 (See Back View A)

RoHS Compliant

④					DATE	UNIT: mm / inch	TITLE:	 瀚荃股份有限公司 CviLux Corporation					
③				DRAWN BY: Clark	11/18-22'	TOLERANCE UNLESS OTHERWISE SPECIFIED	MATERIAL:						
②				ENGINEER: Clark	11/18-22'	.X $\pm$ 0.30/.012 X' $\pm$ r'							
①				CHECKED BY: Eisley	11/18-22'	.XX $\pm$ 0.20/.008 .X' $\pm$	FINISH:						
SYM	NAME	DATE	REVISIONS	APPROVED BY: Eisley	11/18-22'	.XXX $\pm$ 0.10/.004 .XX' $\pm$		DRAWING NO. CPF201S3	PART NO. CPF28075SPA94BP0-0 CPF28075SPA94BP0-A				
								SCALE	1 / 2	SHEET	2	OF	3

For UL 1977

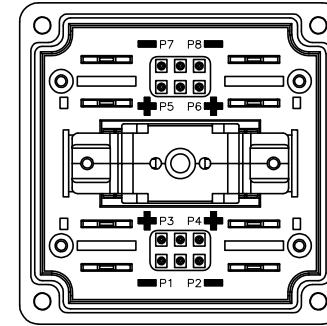
P/N: CPF28075SPA94BP0-0



BACK VIEW


For UL 4128

P/N: CPF28075SPA94BP0-A



BACK VIEW A

RoHS Compliant

<table border="1"> <tr><td>4</td></tr> <tr><td>3</td></tr> <tr><td>2</td></tr> <tr><td>1</td></tr> </table>	4	3	2	1	SYM	NAME	DATE	REVISIONS	APPROVED BY:	Eisley	11/18-22'	DATE		UNIT: mm / inch	TITLE:	 瀚荃股份有限公司 CviLux Corporation
	4															
	3															
	2															
	1															
DRAWN BY:	Clark	11/18-22'	TOLERANCE UNLESS OTHERWISE SPECIFIED		MATERIAL:	DRAWING NO. CPF201S3	PART NO. CPF28075SPA94BP0-0 CPF28075SPA94BP0-A									
ENGINEER:	Clark	11/18-22'	.X ± 0.30/.012	X.* ± r*												
CHECKED BY:	Eisley	11/18-22'	.XX ± 0.20/.008	.X* ±				FINISH:	SCALE 1 / 2	SHEET 3 OF 3						
			.XXX ± 0.10/.004	.XX* ±												