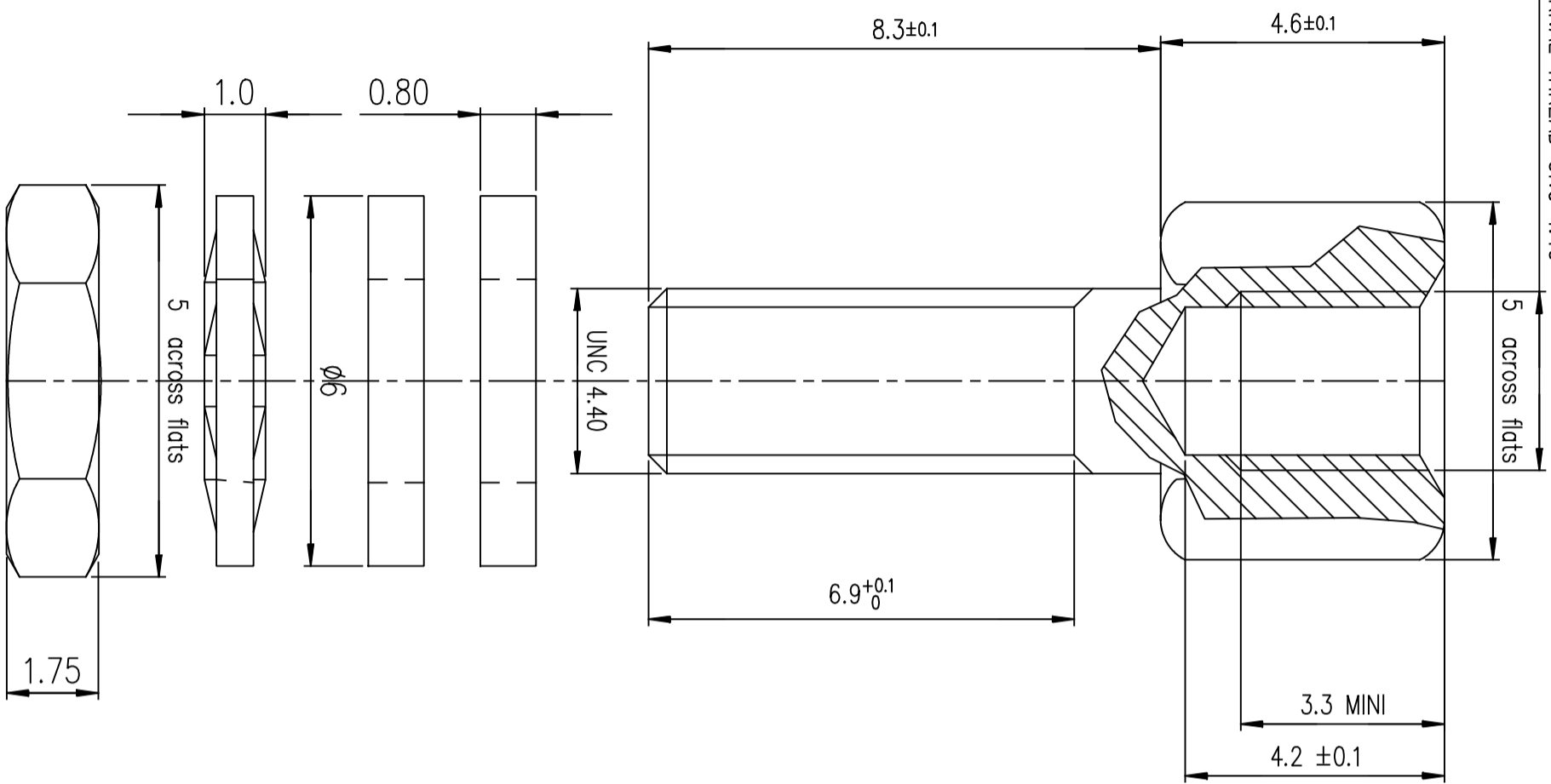




INTERNAL THREAD UNC 4.40



TECHNICAL CHARACTERISTICS  
 FEMALE SCREW LOCKS : BRASS, TIN  
 COMPENSATING WASHER : STEEL, TIN  
 NUTS : STEEL, TIN  
 CORROSION RESISTANCE : 24HOURS

NOTE: ROHS INFORMATIONS  
 - The "LF" products meet European union Directives and other country regulations as described in GS-22-008.  
 - Plating Sn (pure bright ) over copper  
 - Packaging spec: see GS-14-920

Core range	86552029TLF	PACKAGING: per 1000 pieces
LEAD FREE NUMBER	86552029TLF	PACKAGING: per 1000 pieces

mat'l. code		surface		tolerance		projection		product family	
-		ISO 1302		ISO 406 ISO 1101		mm		D-SUB	
lfr	ecn no	dr	date	tolerances unless otherwise specified		mm		title	
H	11-0022	AMR	25-01-2011	angles	linear	mm		FEMALE SCREW LOCK	
				0°±2°	.00±0.1	mm		D-SUB ACCESSORIES	
					.000±0.1	mm		dwg no	
						mm		sheet 2 of 2	
				dr	JOUBERT	mm		size	
				engr	JOUBERT	mm		A3	
				chr	ABHILASH	mm		type	
				appd	SUDHIR	mm		Product Customer Drawing	
sheet index	revision	sheet				mm			
	H	2				mm			