

PowerUSB Test Plug Procedure

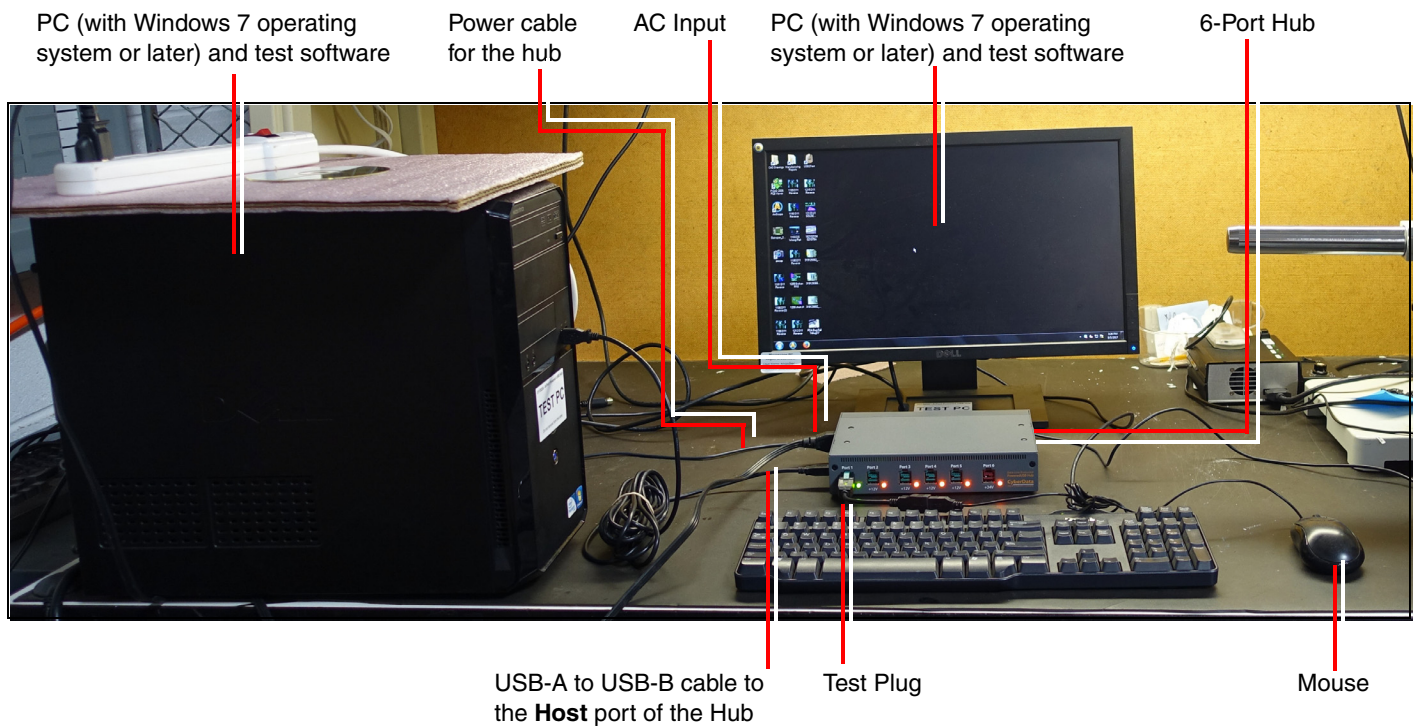
010680 / 010681

1.0 Test Plug Test Procedure

1.1 Make sure that you have the following before you begin the load test (see Figure 1):

- (1) Test Plug
- (1) 6-Port Hub
- (1) PC (with Windows 7 operating system or later) and test software
- (1) Power cable for the hub
- USB-A to USB-B cable to the Host port of the Hub
- (1) Power cable for the hub
- (1) Monitor
- (1) Mouse
- (1) Keyboard

Figure 1. Hub Testing



1.2 Connect the test plug cable to hub port 1. See Figure 2.

1.3 Confirm that the green LED on the test plug is on. See Figure 2.

Figure 2. Connect the test plug to hub port 1

Connect the test plug to hub port 1



Confirm that the green LED on the test plus is on

12V +/-0.5V is the expected range for the GREEN light indicator to be on to show the proper levels.

24V +/-0.5V is the expected range for the GREEN light indicator to be on to show the proper levels.

- 1.4 Connect the USB-B end of the cable connected to the test plug to the USB-A end of the cable connected to the mouse. See Figure 3.

Figure 3. Connect the test plug to the mouse



Connect the USB-B end of the cable connected to the test plug to the USB-A end of the cable connected to the mouse.

1.5 Confirm that the LED for port one changes from **amber** to **green**. See Figure 4.

Figure 4. Confirm that the LED for port one changes from amber to green

Confirm that the LED for port one changes from **amber** to **green**



- 1.6 Use the mouse to move the pointer on the computer's monitor. If the pointer moves, then the test plug has passed the test successfully. See Figure 5.

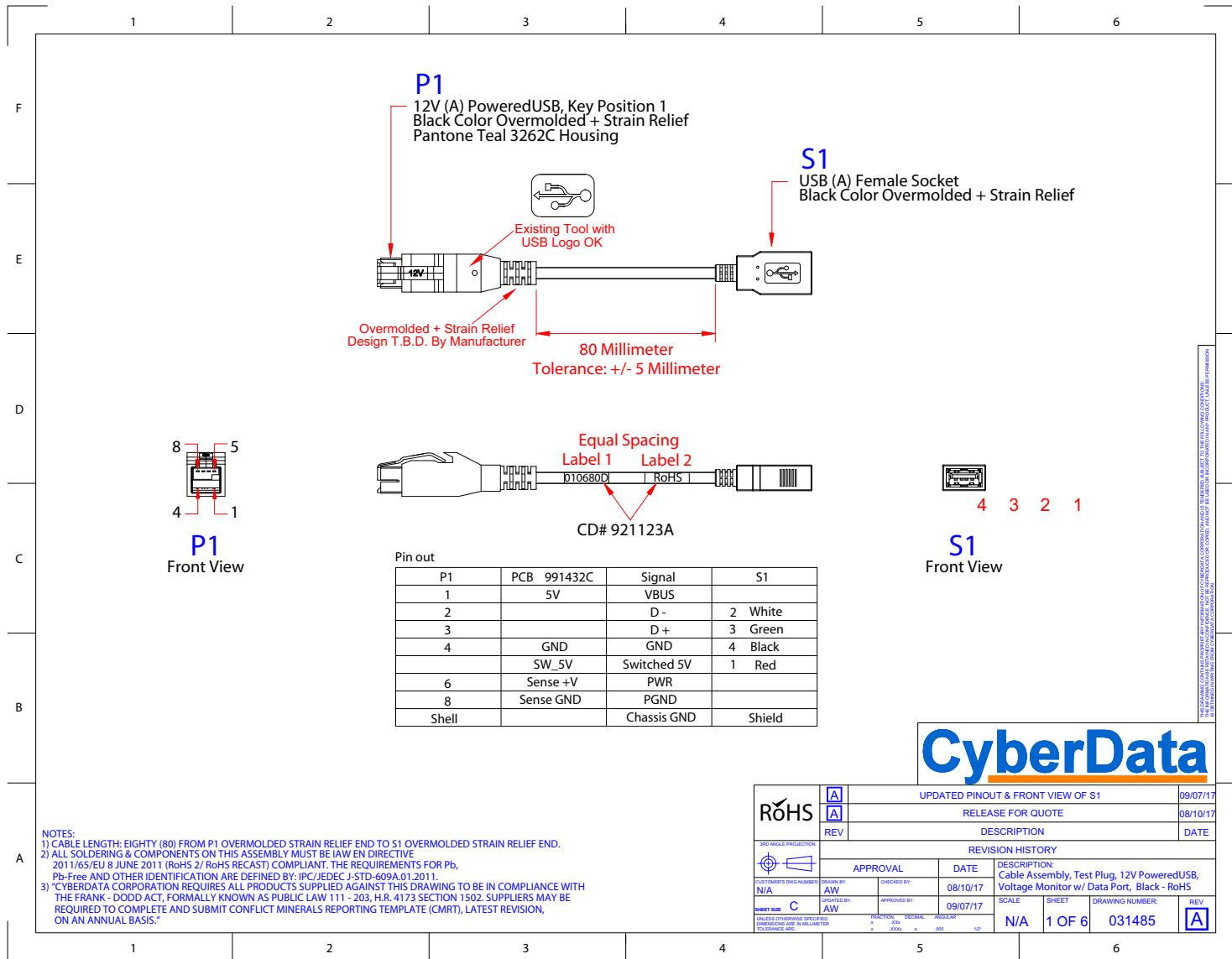
Figure 5. Use the mouse to move the pointer on the monitor.

Use the mouse to move the pointer on the monitor.



2.0 Labels

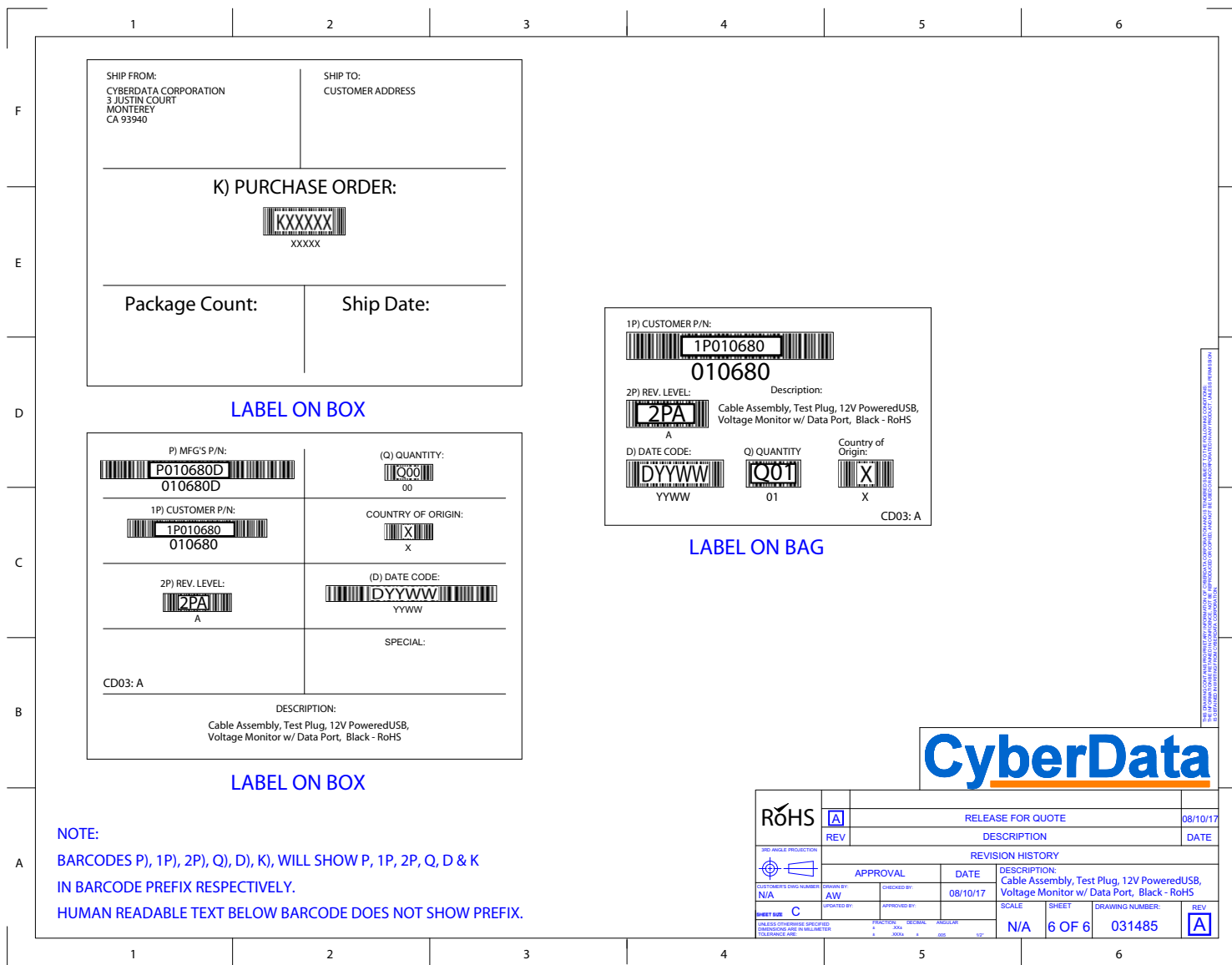
Figure 6. Labels¹



1. This figure is just an example. The information on the label(s) may be different. Always be sure to use the most current labels that match the information from the current CyberData Bill of Materials.

3.0 Packaging

Figure 7. Packaging¹



1. This figure is just an example. The information on the label(s) may be different. Always be sure to use the most current labels that match the information from the current CyberData Bill of Materials.