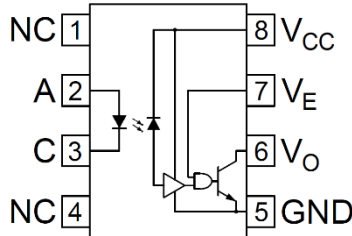


Product Summary

Baud Rate (bps)	Signal Level	Isolation Voltage (V _{RMS})	Operating Temperature (°C)
10M	LSTTL TTL CMOS 5V	5,000	-40 to +85



Truth Table		
LED	V _E Input	V _O Output
ON	H	L
OFF	H	H
ON	L	H
OFF	L	H
ON	NC	L
OFF	NC	H

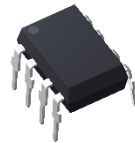
Features

- High Speed 10Mbps typical
- High Input-Output Isolation Voltage (V_{ISO} = 5,000V_{RMS})
- LSTTL/ TTL and 5V CMOS Compatible
- Safety Approval
UL1577 (No.E536221)
CQC 4943.1-2022 (No.CQC24001432528)
VDE EN IEC 60747-5-5 (No.40058801)
- **Totally Lead-Free & Fully RoHS Compliant (Notes 1 & 2)**
- **Halogen and Antimony Free. "Green" Device (Note 3)**
- **For automotive applications requiring specific change control (i.e. parts qualified to AEC-Q100/101/104/200, PPAP capable, and manufactured in IATF 16949 certified facilities), please [contact us](#) or your local Diodes representative. <https://www.diodes.com/quality/product-definitions/>**

Mechanical Data

- Package: PDIP-8, MDIP-8, SL-8 with 2.54mm Pin Pitch
- Package Material: Molded Plastic, "Green" Mold Compound. UL Flammability Classification 94V-0
- Moisture Sensitivity: Level 1 per J-STD-020
- Terminals: Finish – Matte Tin-Plated Leads, Solderable per MIL-STD-202, Method 208 Ⓒ3
- Polarity Indicator: Dots for PIN 1 Identification
- Weight: 0.54 grams (Approximate)

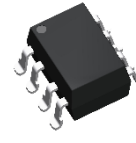
PDIP-8 (Type DY)



MDIP-8



SL-8

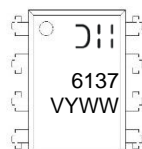


Ordering Information (Note 4)

Orderable Part Number	Package	Packing	
		Qty.	Carrier
DPC6137D-TU	PDIP-8 (Type DY)	45pcs	Tube
DPC6137W-TU	MDIP-8	45pcs	Tube
DPC6137D-TU-V	PDIP-8 (Type DY) (VDE Parts)	45pcs	Tube
DPC6137W-TU-V	MDIP-8 (VDE Parts)	45pcs	Tube
DPC6137S-TR	SL-8	1,000pcs	Reel
DPC6137S-TR-V	SL-8 (VDE Parts)	1,000pcs	Reel

- Notes:
1. No purposely added lead. Fully EU Directive 2002/95/EC (RoHS), 2011/65/EU (RoHS 2) & 2015/863/EU (RoHS 3) compliant.
 2. See <https://www.diodes.com/quality/lead-free/> for more information about Diodes Incorporated's definitions of Halogen- and Antimony-free, "Green" and Lead-free.
 3. Halogen- and Antimony-free "Green" products are defined as those which contain <900ppm bromine, <900ppm chlorine (<1500ppm total Br + Cl) and <1000ppm antimony compounds.
 4. For packaging details, go to our website at <https://www.diodes.com/design/support/packaging/diodes-packaging/>.

Marking Information



= Manufacturer's Code Marking
 6137 = Product Type Marking Code
 V = VDE Safety Mark Option
 Y = Last Digit of Year (ex: 5 = 2025)
 WW = Week Code (01 to 53)

Maximum Ratings (@T_A = +25°C, unless otherwise specified.)

Characteristic		Symbol	Value	Unit
Emitter (LED)	Forward Current	I _F	25	mA
	Reverse Voltage	V _R	5	V
	Input Power Dissipation	P _I	100	mW
	Peak Forward Current (<1μs Pulse Width, 300pps)	I _{FP}	1	A
Detector	Supply Voltage	V _{CC}	7	V
	Output Voltage	V _O	7	V
	Enable Input Voltage	V _E	V _{CC} + 0.5	V
	Output Collector Current	I _O	50	mA
	Enable Input Current	I _E	5	mA
	Output Power Dissipation	P _O	85	mW
	Total Power Dissipation	P _{TOT}	200	mW
Isolation Voltage (AC For 1 Minute, R.H. = 40% to 60%)		V _{ISO}	5000	V _{RMS}
Operating Temperature		T _{OPR}	-40 to +85	°C
Storage Temperature		T _{STG}	-55 to +125	°C
Soldering Temperature (For 10 Seconds)		T _{SOL}	+260	°C

Recommended Operating Conditions

Parameter	Symbol	Min	Max	Unit
Operating Temperature	T _{OPR}	-40	+85	°C
Supply Voltage	V _{CC}	4.5	5.5	V
Low Level Input Current	I _{FL}	0	0.25	mA
High Level Input Current	I _{FH}	5	15	mA
Low Level Enable Voltage	V _{EL}	0	0.8	V
High Level Enable Voltage	V _{EH}	2	V _{CC}	V
Output Pull Up Resistor	R _L	330	4000	Ω
Fanout (R _L = 1kΩ)	N	—	5	TTL Loads

Electrical Characteristics (@T_A = +25°C, V_{CC} = 5.5V, unless otherwise specified.)

Parameter		Test Conditions	Symbol	Min	Typ	Max	Unit
Emitter (LED)	Forward Voltage	I _F = 10mA	V _F	—	1.4	1.6	V
	Reverse Current	V _R = 5V	I _R	—	—	10	μA
	Terminal Capacitance	V _F = 0V, f = 1MHz	C _T	—	30	—	pF
Detector	High Level Supply Current	V _E = 0.5V, I _F = 0mA	I _{CCH}	—	7	10	mA
	Low Level Supply Current	V _E = 0.5V, I _F = 10mA	I _{CCL}	—	9	13	mA
	Input Threshold Current	V _{CC} = 5.5V, V _O = 0.6V, I _{OL} (Sinking) = 13mA	I _{TH}	—	2.0	5.0	mA
	High Level Enable Current	V _E = 2V	I _{EH}	—	-0.7	-1.6	mA
	Low Level Enable Current	V _E = 0.5V	I _{EL}	—	-0.9	-1.6	mA
	High Level Enable Voltage	V _{CC} = 5V	V _{EH}	2	—	—	V
	Low Level Enable Voltage		V _{EL}	—	—	0.8	V
	High Level Output Current	V _E = 0.5V, V _O = 5.5V, I _F = 250μA	I _{OH}	—	5.5	100	μA
	Low Level Output Voltage	I _{OL} = 13mA, I _F = 5mA	V _{OL}	—	0.35	0.6	V

Switching Characteristics (@ $T_A = +25^\circ\text{C}$, $V_{CC} = 5\text{V}$, unless otherwise specified.)

Parameter	Test Conditions	Symbol	Min	Typ	Max	Unit
Propagation Delay Time to High Output Level	$R_L = 350\Omega$, $C_L = 15\text{pF}$	t_{PLH}	25	50	75	ns
Propagation Delay Time to Low Output Level		t_{PHL}	25	50	75	ns
Pulse Width Distortion		$ t_{PHL} - t_{PLH} $	—	5	35	ns
Output Rise Time (10% to 90%)		t_R	—	30	—	ns
Output Fall Time (90% to 10%)		t_F	—	12	—	ns
Propagation Delay Time of Enable from V_{EH} to V_{EL}	$R_L = 350\Omega$, $C_L = 15\text{pF}$ $V_{EL} = 0\text{V}$, $V_{EH} = 3\text{V}$	t_{ELH}	—	30	—	ns
Propagation Delay Time of Enable from V_{EL} to V_{EH}		t_{EHL}	—	20	—	ns

Common Mode Transient Immunity (@ $T_A = +25^\circ\text{C}$, $V_{CC} = 5\text{V}$, unless otherwise specified.)

Parameter	Test Conditions	Symbol	Min	Typ	Max	Unit
Logic High Common Mode Transient Immunity	$V_{CC} = 5\text{V}$, $I_F = 0\text{mA}$ $ V_{CM} = 10\text{V}$, $R_L = 350\Omega$	$ CM_H $	1000	—	—	V/ μs
Logic Low Common Mode Transient Immunity	$V_{CC} = 5\text{V}$, $I_F = 7.5\text{mA}$ $ V_{CM} = 10\text{V}$, $R_L = 350\Omega$	$ CM_L $	1000	—	—	V/ μs

Note: Guaranteed by design.

Characteristics Curves

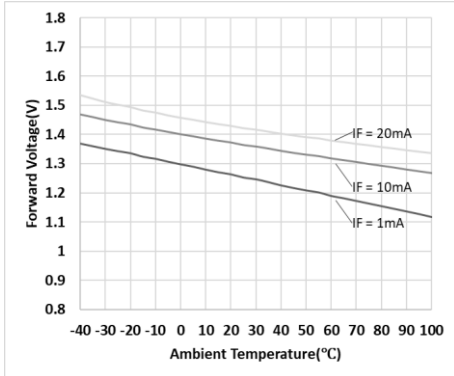


Fig.1 Forward Voltage vs. Ambient Temperature

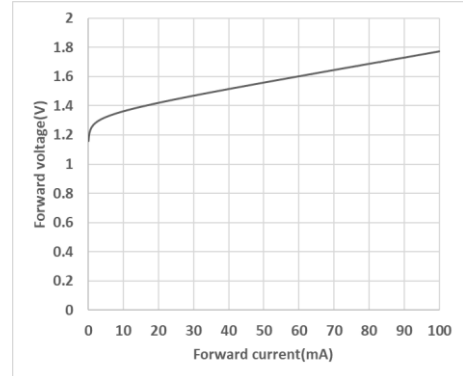


Fig.2 Forward Voltage vs. Forward Current

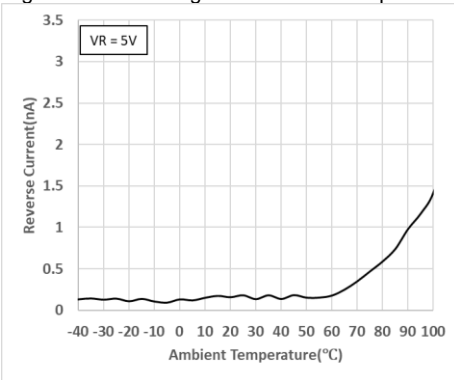


Fig.3 Reverse Current vs. Ambient Temperature

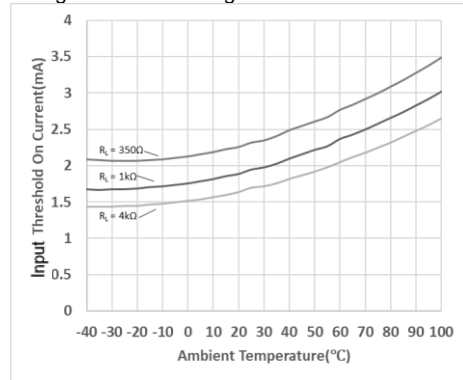


Fig.4 Input Threshold On Current vs. Ambient Temperature

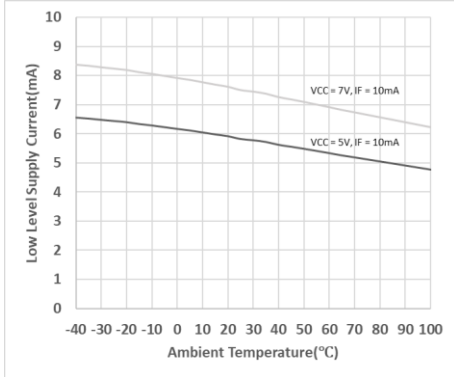


Fig.5 Low Level Supply Current vs. Ambient Temperature

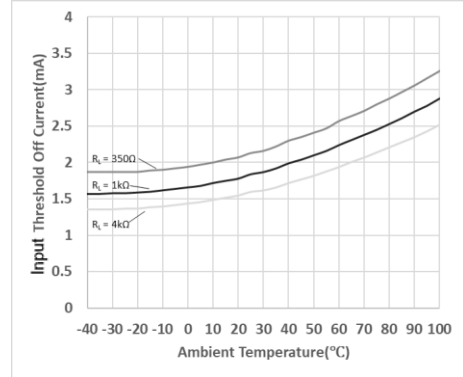


Fig.6 Input Threshold Off Current vs. Ambient Temperature

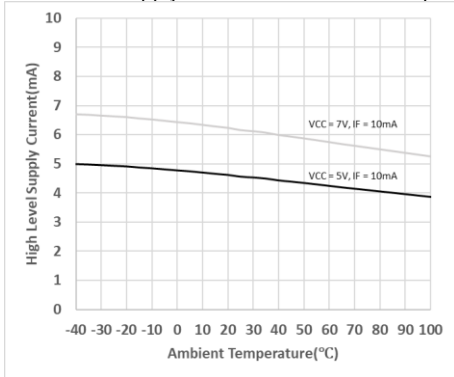


Fig.7 High Level Supply Current vs. Ambient Temperature

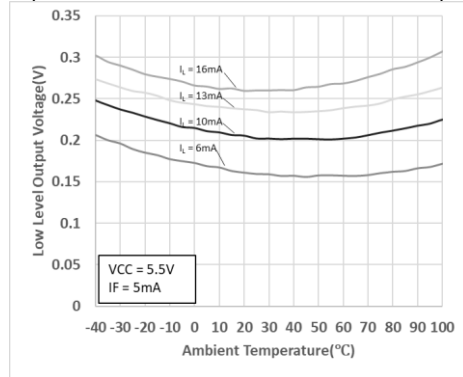


Fig.8 Low Level Output Voltage vs. Ambient Temperature

Characteristics Curves (continued)

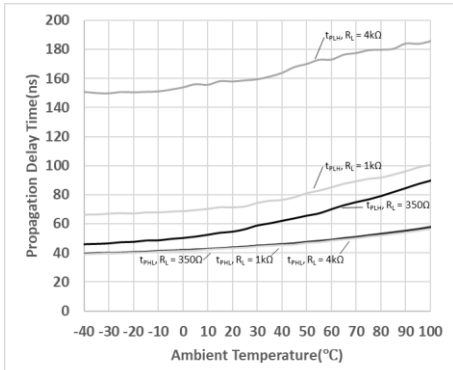


Fig.9 Propagation Delay vs. Ambient Temperature

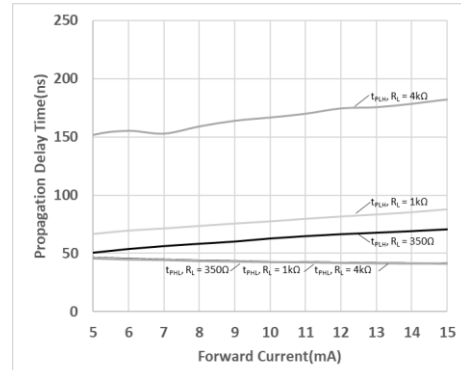


Fig.10 Propagation Delay vs. Forward Current

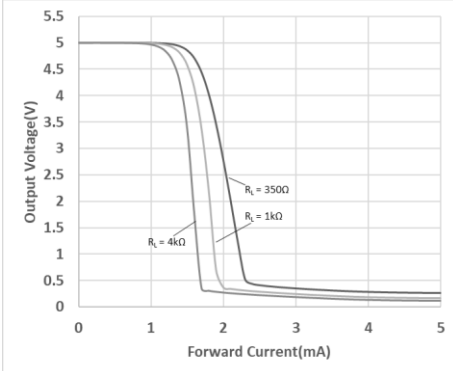


Fig.11 Output Voltage vs. Forward Input Current

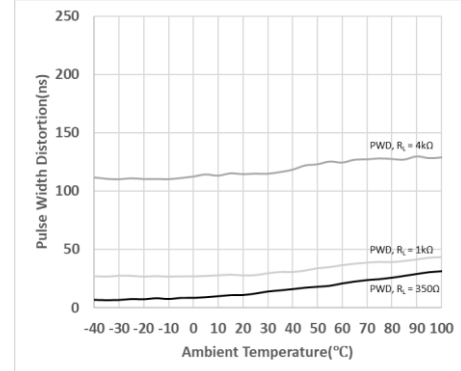


Fig.12 Pulse Width Distortion vs. Ambient Temperature

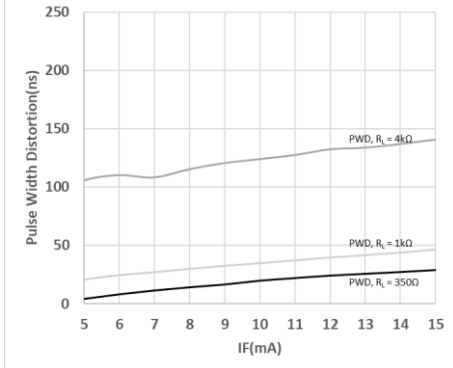


Fig.13 Pulse Width Distortion vs. Forward Current

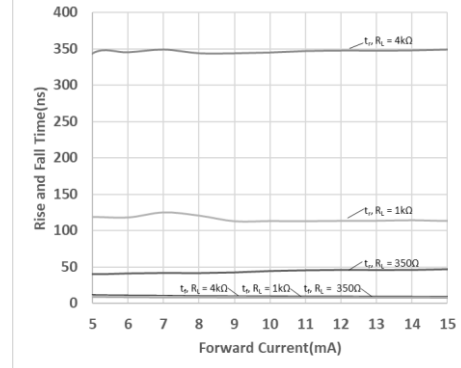


Fig.14 Rise and Fall Time vs. Forward Current

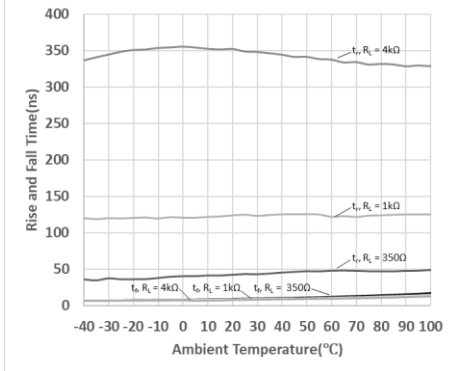


Fig.15 Rise and Fall Time vs. Ambient Temperature

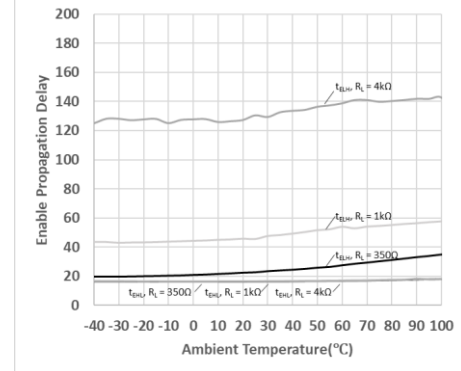
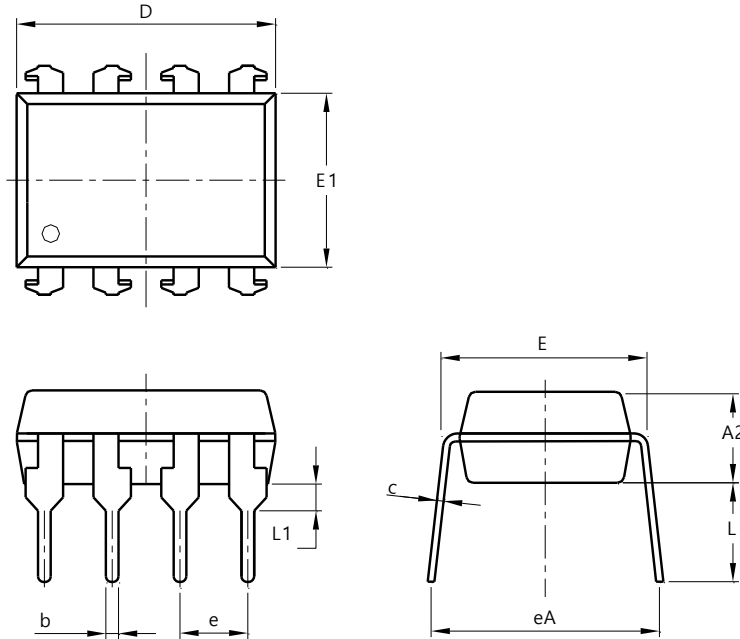


Fig.16 Enable Propagation Delay vs. Ambient Temperature

Package Outline Dimensions

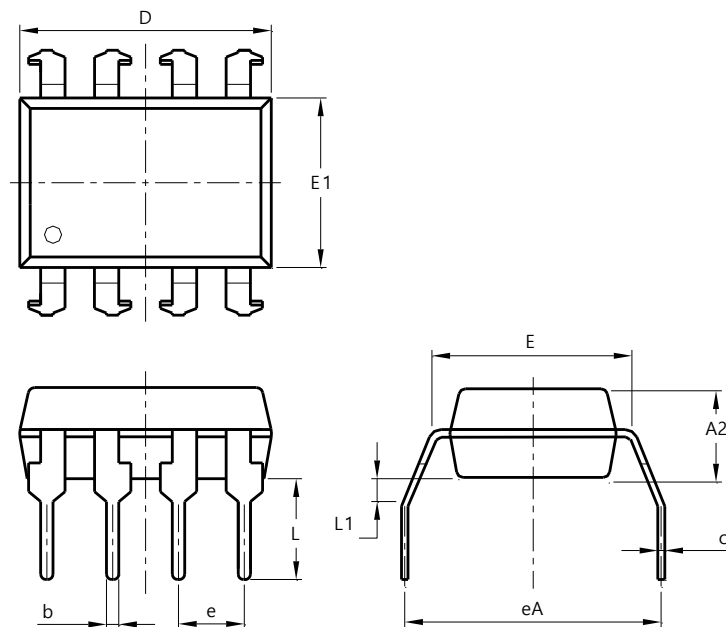
Please see <http://www.diodes.com/package-outlines.html> for the latest version.

PDIP-8 (Type DY)



PDIP-8 (Type DY)			
Dim	Min	Max	Typ
A2	3.20	3.80	3.50
b	0.40	0.60	0.50
c	0.15	0.35	0.25
D	9.40	10.00	9.70
E	7.32	7.92	7.62
E1	6.20	6.80	6.50
eA	7.62	9.50	8.56
e	2.29	2.79	2.54
L	3.40	4.10	3.70
L1	0.70	1.30	1.00
All Dimensions in mm			

MDIP-8

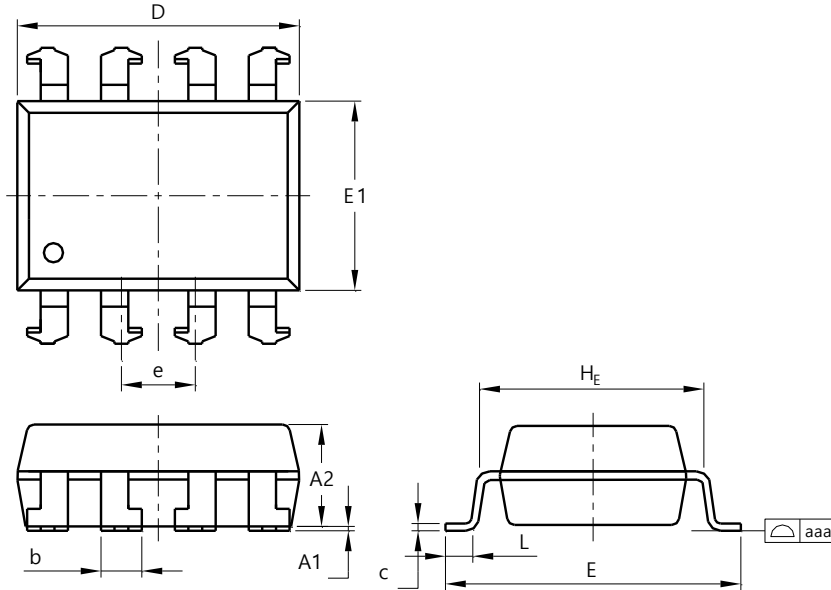


MDIP-8			
Dim	Min	Max	Typ
A2	3.20	3.80	3.50
b	0.40	0.60	0.50
c	0.15	0.35	0.25
D	9.40	10.00	9.70
E	7.32	7.92	7.62
E1	6.20	6.80	6.50
eA	9.66	10.66	10.16
e	2.29	2.79	2.54
L	3.40	3.90	3.60
L1	0.80	1.40	1.10
All Dimensions in mm			

Package Outline Dimensions (continued)

Please see <http://www.diodes.com/package-outlines.html> for the latest version.

SL-8

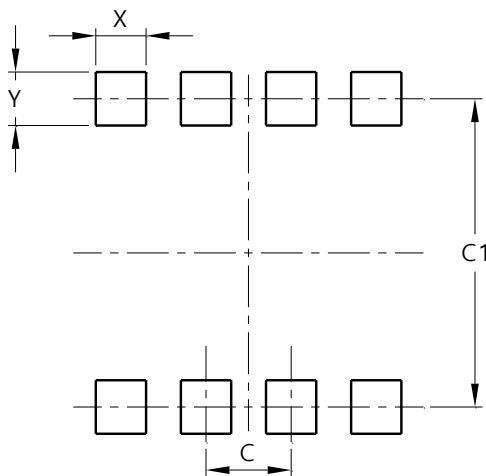


SL-8			
Dim	Min	Max	Typ
A1	0.00	0.30	0.15
A2	3.20	3.80	3.50
b	1.15	1.35	1.25
c	0.15	0.35	0.25
D	9.38	9.98	9.68
E	9.66	10.66	10.16
E1	6.20	6.80	6.50
e	2.29	2.79	2.54
HE	7.32	7.92	7.62
L	0.60	--	--
aaa	--	0.10	--
All Dimensions in mm			

Suggested Pad Layout

Please see <http://www.diodes.com/package-outlines.html> for the latest version.

SL-8



Dimensions	Value (in mm)
C	2.54
C1	9.22
X	1.50
Y	1.60

IMPORTANT NOTICE

1. DIODES INCORPORATED (Diodes) AND ITS SUBSIDIARIES MAKE NO WARRANTY OF ANY KIND, EXPRESS OR IMPLIED, WITH REGARDS TO ANY INFORMATION CONTAINED IN THIS DOCUMENT, INCLUDING, BUT NOT LIMITED TO, THE IMPLIED WARRANTIES OF MERCHANTABILITY, FITNESS FOR A PARTICULAR PURPOSE OR NON-INFRINGEMENT OF THIRD PARTY INTELLECTUAL PROPERTY RIGHTS (AND THEIR EQUIVALENTS UNDER THE LAWS OF ANY JURISDICTION).
2. The Information contained herein is for informational purpose only and is provided only to illustrate the operation of Diodes' products described herein and application examples. Diodes does not assume any liability arising out of the application or use of this document or any product described herein. This document is intended for skilled and technically trained engineering customers and users who design with Diodes' products. Diodes' products may be used to facilitate safety-related applications; however, in all instances customers and users are responsible for (a) selecting the appropriate Diodes products for their applications, (b) evaluating the suitability of Diodes' products for their intended applications, (c) ensuring their applications, which incorporate Diodes' products, comply the applicable legal and regulatory requirements as well as safety and functional-safety related standards, and (d) ensuring they design with appropriate safeguards (including testing, validation, quality control techniques, redundancy, malfunction prevention, and appropriate treatment for aging degradation) to minimize the risks associated with their applications.
3. Diodes assumes no liability for any application-related information, support, assistance or feedback that may be provided by Diodes from time to time. Any customer or user of this document or products described herein will assume all risks and liabilities associated with such use, and will hold Diodes and all companies whose products are represented herein or on Diodes' websites, harmless against all damages and liabilities.
4. Products described herein may be covered by one or more United States, international or foreign patents and pending patent applications. Product names and markings noted herein may also be covered by one or more United States, international or foreign trademarks and trademark applications. Diodes does not convey any license under any of its intellectual property rights or the rights of any third parties (including third parties whose products and services may be described in this document or on Diodes' website) under this document.
5. Diodes' products are provided subject to Diodes' Standard Terms and Conditions of Sale (<https://www.diodes.com/about/company/terms-and-conditions/terms-and-conditions-of-sales/>) or other applicable terms. This document does not alter or expand the applicable warranties provided by Diodes. Diodes does not warrant or accept any liability whatsoever in respect of any products purchased through unauthorized sales channel.
6. Diodes' products and technology may not be used for or incorporated into any products or systems whose manufacture, use or sale is prohibited under any applicable laws and regulations. Should customers or users use Diodes' products in contravention of any applicable laws or regulations, or for any unintended or unauthorized application, customers and users will (a) be solely responsible for any damages, losses or penalties arising in connection therewith or as a result thereof, and (b) indemnify and hold Diodes and its representatives and agents harmless against any and all claims, damages, expenses, and attorney fees arising out of, directly or indirectly, any claim relating to any noncompliance with the applicable laws and regulations, as well as any unintended or unauthorized application.
7. While efforts have been made to ensure the information contained in this document is accurate, complete and current, it may contain technical inaccuracies, omissions and typographical errors. Diodes does not warrant that information contained in this document is error-free and Diodes is under no obligation to update or otherwise correct this information. Notwithstanding the foregoing, Diodes reserves the right to make modifications, enhancements, improvements, corrections or other changes without further notice to this document and any product described herein. This document is written in English but may be translated into multiple languages for reference. Only the English version of this document is the final and determinative format released by Diodes.
8. Any unauthorized copying, modification, distribution, transmission, display or other use of this document (or any portion hereof) is prohibited. Diodes assumes no responsibility for any losses incurred by the customers or users or any third parties arising from any such unauthorized use.
9. This Notice may be periodically updated with the most recent version available at <https://www.diodes.com/about/company/terms-and-conditions/important-notice>

The Diodes logo is a registered trademark of Diodes Incorporated in the United States and other countries.
All other trademarks are the property of their respective owners.
© 2025 Diodes Incorporated. All Rights Reserved.

www.diodes.com