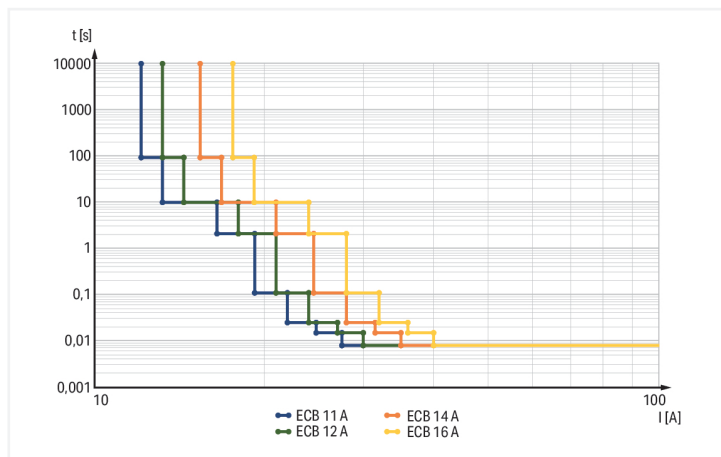
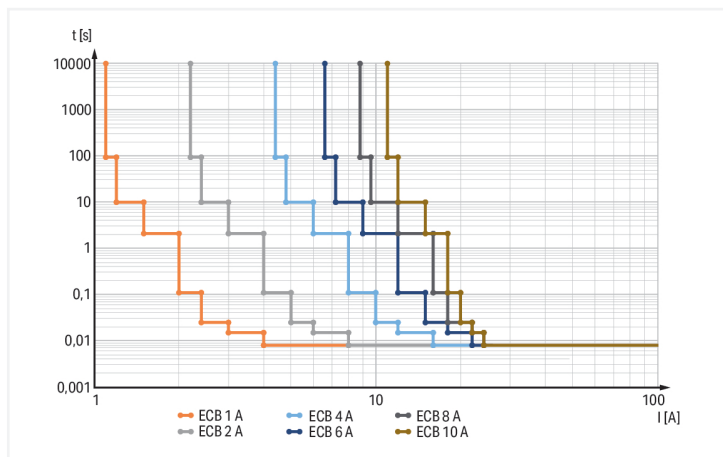
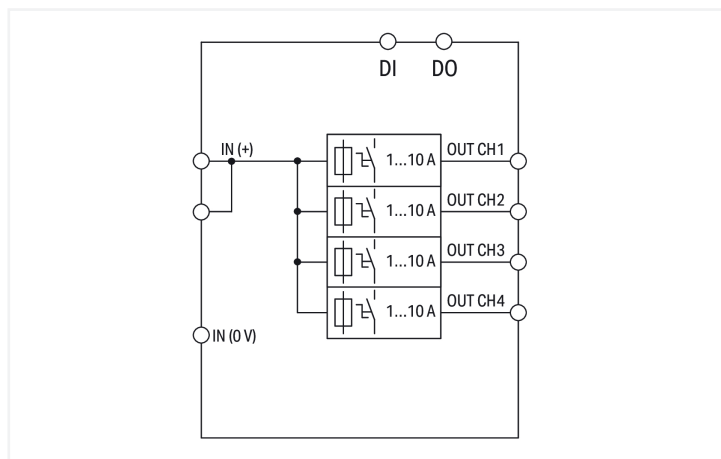


Data Sheet | Item Number: 787-3664

Electronic circuit breaker; 4-channel; 24 VDC input voltage; adjustable 1 ... 10 A; Signal contact

<https://www.wago.com/787-3664>



Features:

- Space-saving ECB with four channels
- Nominal current: 1 ... 10 A (adjustable for each channel via selector switch)
- Switch-on capacity > 50,000 μ F per channel
- One illuminated, three-colored button per channel simplifies switching (on/off), resetting, and on-site diagnostics
- Time-delayed switching of channels
- Tripped message (group signal)
- Remote input resets or switches on/off tripped channels

Technical data

Input		Output	
Nominal input voltage $U_{i, nom}$	24 VDC	Total number of channels (module)	4
Input voltage range	18 ... 30 VDC	Nominal output voltage $U_{o, nom}$	4 x 24 VDC
		Output voltage range	18 ... 30 VDC (U_e - voltage drop)
		Voltage drop	≤ 250 mV (Input (+))
		Nominal output current $I_{o, nom}$	4 x 1 / 2 / 4 / 6 / 8 / 10 A (adjustable for each channel via selector switch)
		Default Setting	DC 1 A; switched off
		Trip time	16 ms ... 100 s (load-dependent)
		Switch-on capacity	
		Switch-on behavior	Time-delayed channel switching (load-dependent, min. 50 ms / max. 10 s)
		Active current limitation	No
		Current limitation	No
		Switch-on threshold	DC 20.3 V

Signaling and communication

Signaling	4 x LED (green/red/orange) 1 x Remote control input (S1) 1 x Active signal output (S2)
Operation status indicator	Green LED (channel OK) Red LED (tripped channel)
Remote input	Reactivation of all tripped channels via 15 ... 30 VDC pulse for min. 500 ms

Efficiency/power losses

Power loss P_I	≤ 0.84 W; ≤ 10 W (4 x 10 A)
Efficiency (typ.)	98 %

Circuit protection

Internal fuse	T 12 A per channel
---------------	--------------------

Safety and protection

Isolation voltage (connectors – housing)	0.5 kVDC
Protection class	III
Protection type	IP20; Per EN 60529
Reverse voltage protection	No
Resistance to reverse feed	≤ 35 VDC
Pollution degree	2
Transient suppression (primary)	Suppressor diode (33 V)
Parallel operation of single channels	Permissible
Series operation	No

Connection data

Connection 1		Connection 2	
Connection type	Input (+)	Connection type	Input (-); output; signaling
Connection technology	Push-in CAGE CLAMP®	Connection technology	CAGE CLAMP®
WAGO connector	WAGO 831 Series	WAGO connector	WAGO 231 Series
Solid conductor	0.5 ... 10 mm ² / 20 ... 8 AWG	Solid conductor	0.08 ... 2.5 mm ² / 28 ... 12 AWG
Fine-stranded conductor	0.5 ... 10 mm ² / 20 ... 8 AWG	Fine-stranded conductor	0.08 ... 2.5 mm ² / 28 ... 12 AWG
Strip length	13 ... 15 mm / 0.51 ... 0.59 inches	Strip length	8 ... 9 mm / 0.31 ... 0.35 inches

Physical data

Width	32 mm / 1.26 inches
Height	95 mm / 3.74 inches
Depth from upper-edge of DIN-rail	117.5 mm / 4.626 inches

Mechanical data

Mounting type	DIN-35 rail
---------------	-------------

Material data

Fire load	2.255 MJ
Weight	152.2 g

Environmental requirements

Ambient temperature (operation)	-25 ... +70 °C
Ambient temperature (storage)	-25 ... +85 °C
Relative humidity	5 ... 96 % (no condensation permissible)
Derating	≥ 50 °C (see instruction manual)

Standards and specifications

Conformity marking	CE
Standards/specifications	EN 61000-6-2 EN 61000-6-3 UL 61010-2-201 UL 2367

Commercial data

PU (SPU)	1 pcs
Packaging type	Box
Country of origin	IN
Customs tariff number	85363010000

Product Classification

UNSPSC	39121634
ETIM 9.0	EC001440
ETIM 8.0	EC001440
ECCN	NO US CLASSIFICATION

Environmental Product Compliance

CAS-No.	11120-22-2 1303-86-2 1317-36-8 7439-92-1
REACH Candidate List Substance	Diboron trioxide Lead Lead monoxide Lead silicate
RoHS Compliance Status	Compliant,With Exemption
RoHS Exemption	6(c) 7(a) 7(c)-I 7(c)-II
SCIP notification number (Austria)	770d0258-4fab-4b14-9c3b-8c07d2a2de62
SCIP notification number (Belgium)	808de5c5-bfd4-463b-a91a-1d79bdd2a549
SCIP notification number (Bulgaria)	fd5ee284-c087-4d01-b003-b36bc59328d9

Environmental Product Compliance

SCIP notification number (Czech Republic)	086b0409-eaf9-4fa5-9cfc-8fa3f2633649
SCIP notification number (Denmark)	ccd5ad61-d492-409c-838b-006109b18149
SCIP notification number (Finland)	03978a26-1fb5-4c30-ba89-22c9c9249c5a
SCIP notification number (France)	89cbabec-d00c-4dfc-9803-bb5c106334f0
SCIP notification number (Germany)	06760d83-7273-42a9-9ce9-07ddd1817cc1
SCIP notification number (Hungary)	01a51be0-50c4-48ef-8dd7-25d668e6ac5f
SCIP notification number (Italy)	a0f3a029-f535-4074-b652-0920bdb89b42
SCIP notification number (Netherlands)	7f04007f-93e7-47a7-8896-cb44a0762e97
SCIP notification number (Poland)	d9c6557a-34e9-431c-8ea4-73801fdf7ed0
SCIP notification number (Romania)	376f4cf4-ed3-498d-9624-ae3494364574
SCIP notification number (Sweden)	68a94c82-e3c9-4324-87cb-112be317bd67

Approvals / Certificates

General approvals



Approval	Standard	Certificate Name
EAC GZO Almaty Standart	TP TC 020/2011	EAC CoC 03081
UL Underwriters Laboratories Inc. (ORDINARY LOCATIONS)	UL 61010-2-201	E175199

Declarations of conformity and manufacturer's declarations

Approval	Standard	Certificate Name
EU-Declaration of Conformity WAGO GmbH & Co. KG	-	-
UK-Declaration of Conformity WAGO GmbH & Co. KG	-	-

Downloads

Environmental Product Compliance

Compliance Search
Environmental Product Compliance 787-3664 ↓

Documentation

Manual			
Electronic circuit breaker	V 1.0.0 01.02.2024	pdf 5590.84 KB	↓

Bid Text			
787-3664	14.04.2025	docx 36.30 KB	↓
787-3664	14.04.2025	x81 7.27 KB	↓

Instruction Leaflet			
Elektronischer Schutzschalter	V 1.0.0 10.10.2023	pdf 2402.31 KB	↓

CAD/CAE-Data

CAD data

2D/3D Models
787-3664



1 Compatible Products

1.1 Optional Accessories

1.1.1 Marking

1.1.1.1 Marker



[Item No.: 2009-145](#)

Mini-WSB Inline; for Smart Printer; 1700 pieces on roll; stretchable 5 - 5.2 mm; plain; snap-on type; white



[Item No.: 248-501](#)

Mini-WSB marking card; as card; not stretchable; plain; snap-on type; white



[Item No.: 793-5501](#)

WMB marking card; as card; for terminal block width 5 - 17.5 mm; stretchable 5 - 5.2 mm; plain; snap-on type; white



[Item No.: 793-501](#)

WMB marking card; as card; not stretchable; plain; snap-on type; white



[Item No.: 2009-115](#)

WMB-Inline; for Smart Printer; 1500 pieces on roll; stretchable 5 - 5.2 mm; plain; snap-on type; white

1.1.1.2 Marking strip



[Item No.: 2009-110](#)

Marking strips; for Smart Printer; on reel; not stretchable; plain; snap-on type; white



[Item No.: 210-831](#)

Marking strips; on reel; 2.3 mm wide; plain; Self-adhesive; white



[Item No.: 210-832](#)

Marking strips; on reel; 3 mm wide; plain; Self-adhesive; white

1.1.2 Tool

1.1.2.1 Operating tool



[Item No.: 210-720](#)

Operating tool; Blade: 3.5 x 0.5 mm; with a partially insulated shaft; multicoloured



[Item No.: 210-721](#)

Operating tool; Blade: 5.5 x 0.8 mm; with a partially insulated shaft; multicoloured



[Item No.: 210-769](#)

SCREWDRIVER; green