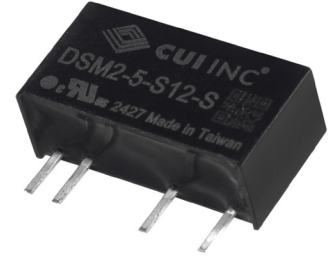


**SERIES:** DSM2-S | **DESCRIPTION:** DC-DC CONVERTER

**FEATURES**

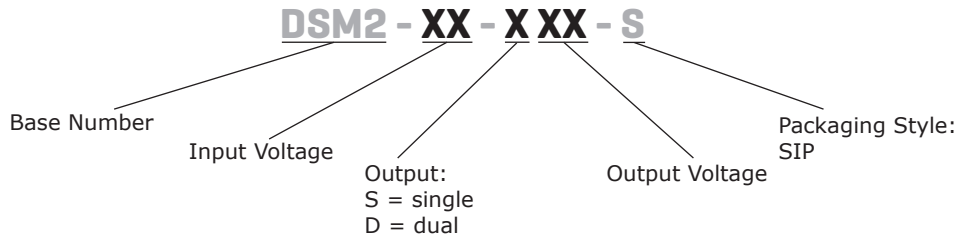
- 2 W isolated output
- industry standard SIP package
- single and dual unregulated output
- short circuit protection
- 4,000 Vdc isolation voltage
- certified to UL 62368-1
- -40 to 95 °C with derating



MODEL	input voltage		output voltage	output current	output power	ripple & noise <sup>1</sup>	efficiency
	typ (Vdc)	range (Vdc)	(Vdc)	max (mA)	max (W)	max (mVp-p)	typ (%)
DSM2-5-S3-S	5	4.5~5.5	3.3	606	2	150	75
DSM2-5-S5-S	5	4.5~5.5	5	400	2	120	79
DSM2-5-S9-S	5	4.5~5.5	9	223	2	120	83
DSM2-5-S12-S	5	4.5~5.5	12	167	2	120	83
DSM2-5-S15-S	5	4.5~5.5	15	134	2	120	82
DSM2-5-D3-S	5	4.5~5.5	±3.3	±303	2	150	78
DSM2-5-D5-S	5	4.5~5.5	±5	±200	2	120	81
DSM2-5-D12-S	5	4.5~5.5	±12	±84	2	120	84
DSM2-5-D15-S	5	4.5~5.5	±15	±67	2	120	83
DSM2-12-S3-S	12	10.8~13.2	3.3	606	2	150	78
DSM2-12-S5-S	12	10.8~13.2	5	400	2	120	79
DSM2-12-S9-S	12	10.8~13.2	9	223	2	120	85
DSM2-12-S12-S	12	10.8~13.2	12	167	2	120	85
DSM2-12-S15-S	12	10.8~13.2	15	134	2	120	82
DSM2-12-D3-S	12	10.8~13.2	±3.3	±303	2	150	82
DSM2-12-D5-S	12	10.8~13.2	±5	±200	2	120	81
DSM2-12-D12-S	12	10.8~13.2	±12	±84	2	120	80
DSM2-12-D15-S	12	10.8~13.2	±15	±67	2	120	82
DSM2-24-S3-S	24	21.6~26.4	3.3	606	2	150	80
DSM2-24-S5-S	24	21.6~26.4	5	400	2	120	84
DSM2-24-S9-S	24	21.6~26.4	9	223	2	120	86
DSM2-24-S12-S	24	21.6~26.4	12	167	2	120	86
DSM2-24-S15-S	24	21.6~26.4	15	134	2	120	85
DSM2-24-D3-S	24	21.6~26.4	±3.3	±303	2	150	82
DSM2-24-D5-S	24	21.6~26.4	±5	±200	2	120	83
DSM2-24-D12-S	24	21.6~26.4	±12	±84	2	120	83
DSM2-24-D15-S	24	21.6~26.4	±15	±67	2	120	84

Notes: 1. At full load, nominal input, 20 MHz bandwidth oscilloscope.  
 2. The efficiency is test by nominal input and max. full load at 25 °C.  
 3. All specifications measured at Ta=25°C, nominal input voltage, rated output load, and after warm up unless otherwise specified.

## PART NUMBER KEY



## INPUT

parameter	conditions/description	min	typ	max	units
input voltage range		-10		+10	%
filter	capacitance filter				

## OUTPUT

parameter	conditions/description	min	typ	max	units
maximum capacitive load <sup>4,5</sup>	3.3, 5 Vdc output models			1,500	μF
	±3.3, ±5, 9 Vdc output models			680	μF
	12, 15 Vdc output models			470	μF
	±12, ±15 Vdc output models			220	μF
voltage accuracy		-5		+5	%
line regulation	measured from low to high line, full load		±1.2		%
load regulation	measured from 10~100% load				
	3.3 Vdc output models			20	%
	5 Vdc output models			15	%
	9, 12, 15 Vdc output model			10	%
switching frequency	at Vin nominal, full load	20			kHz

Note: 4. The capacitive load is tested by minimum input and constant resistive load.  
5. For dual output models, maximum capacitance applies to individual outputs.

## PROTECTIONS

parameter	conditions/description	min	typ	max	units
short circuit protection	continuous				

## SAFETY AND COMPLIANCE

parameter	conditions/description	min	typ	max	units
isolation voltage	input to output for 1 second	4,000			Vdc
isolation capacitance			80		pF
insulation type	functional				
safety approvals	certified to 62368-1: UL				
EMC	EN 55032/55024 <sup>6</sup>				
EMI	EN 55032, Class A/B				
ESD	IEC 61000-4-2, air ±8 kV; contact ±6 kV, perf. Criteria A				
fast transient	IEC 61000-4-4, ±0.5 kV, perf. Criteria A				
surge	IEC 61000-4-5, ±0.5 kV, perf. Criteria A				
conducted immunity	IEC 61000-4-6, 3 Vrms, perf. Criteria A				
vibration	MIL-STD-202G				
MTBF	at 25°C	18,300,000			hours
	at 85°C	8,070,000			hours
RoHS	yes				

Note: 6. Refer to Figures 2 and 3 for recommended EMC circuit.

## ENVIRONMENTAL

parameter	conditions/description	min	typ	max	units
operating temperature	see derating curve	-40		95	°C
storage temperature		-55		125	°C
maximum case temperature				105	°C
operating humidity	non-condensing	5		95	%

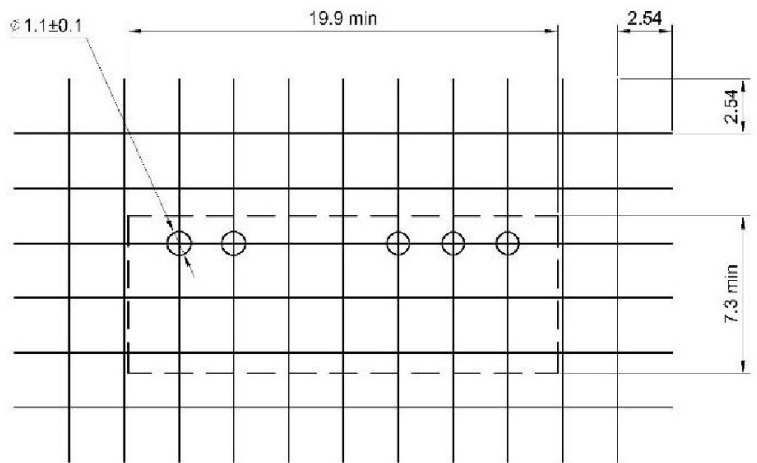
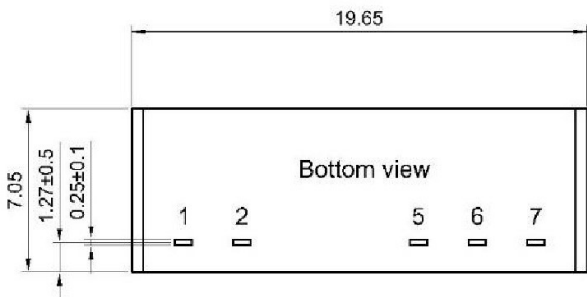
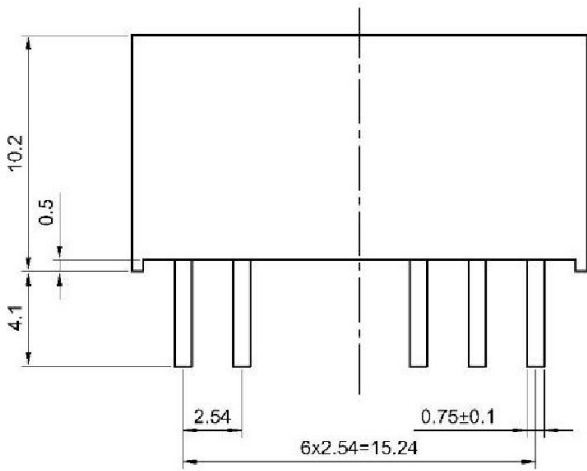
## MECHANICAL

parameter	conditions/description	min	typ	max	units
dimensions	19.65 x 7.05 x 10.20				mm
case material	UL94V-0 black plastic				
potting material	epoxy (UL94V-0)				
weight			2.8		g

## MECHANICAL DRAWING

units: mm  
tolerance: ±0.25 mm

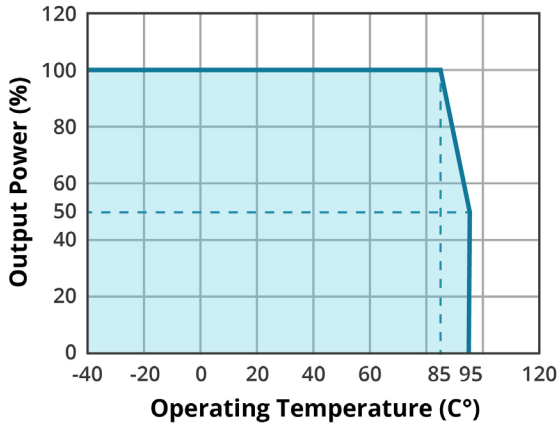
PIN CONNECTIONS		
PIN	Single	Dual
1	+Vin	+Vin
2	-Vin	-Vin
5	-Vout	-Vout
6	no pin	Com
7	+Vout	+Vout



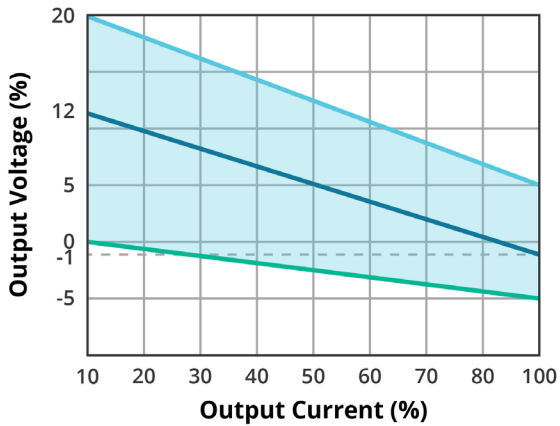
Footprint (Top view)

## DERATING CURVE

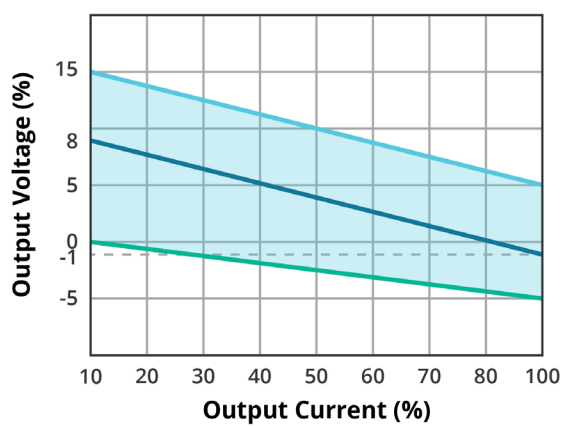
**TEMPERATURE DERATING CURVE**  
(natural convection)



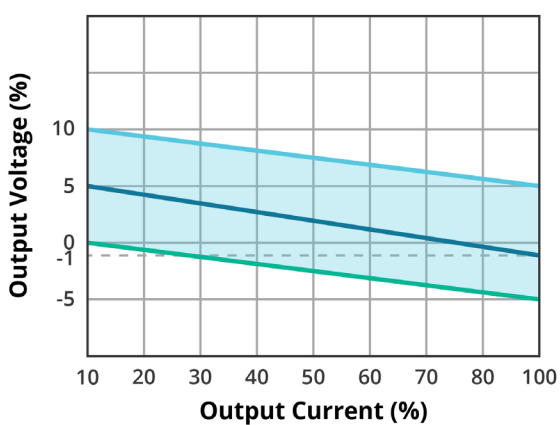
**OUTPUT REGULATION CURVE**  
(3.3 Vdc output models)



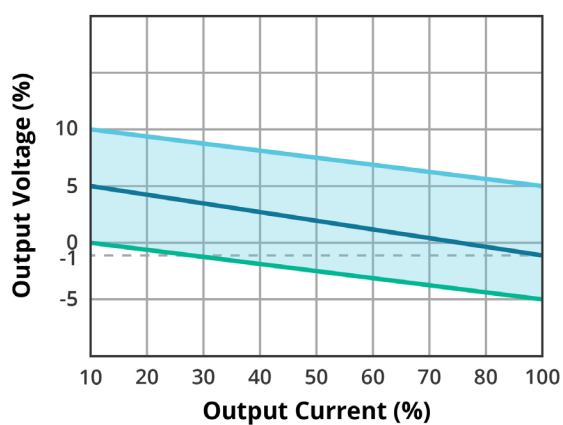
**OUTPUT REGULATION CURVE**  
(5 Vdc output models)



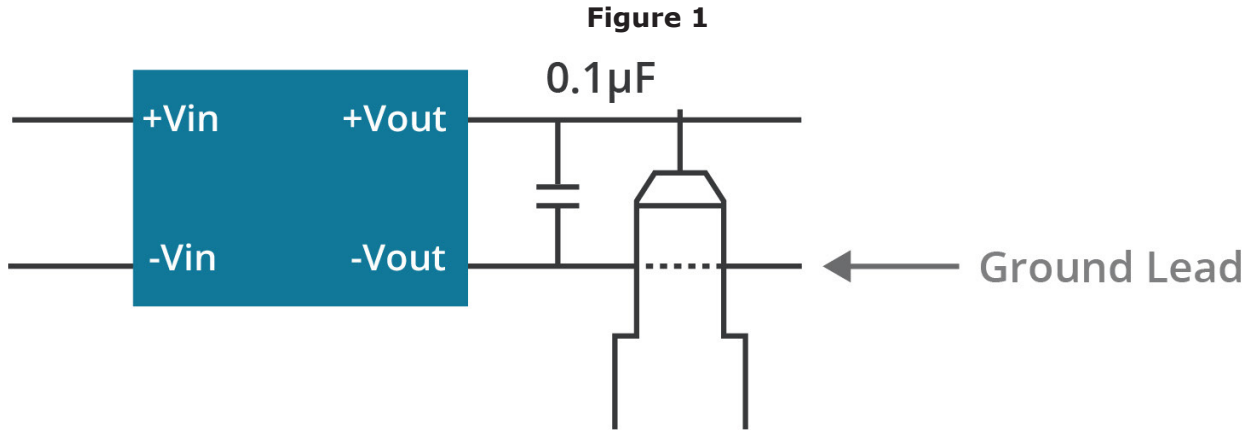
**OUTPUT REGULATION CURVE**  
(9 Vdc output models)



**OUTPUT REGULATION CURVE**  
(12, 15 Vdc output models)



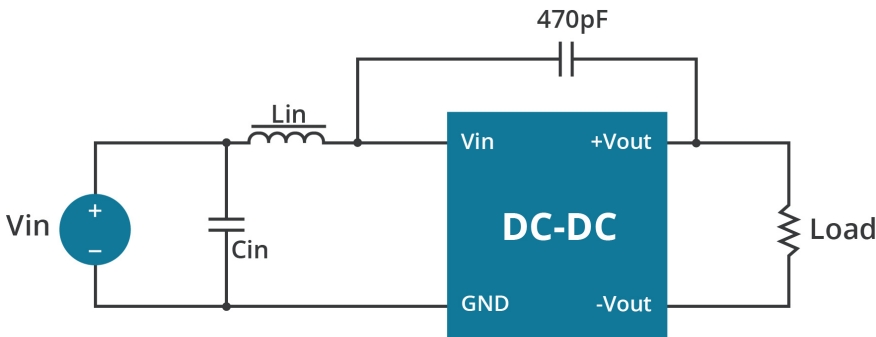
## RIPPLE AND NOISE MEASURE METHOD



Note: Measured with 20MHz bandwidth and 0.1µF ceramic capacitor.

## EMI RECOMMENDED CIRCUIT FOR EN 55032 CLASS A/B

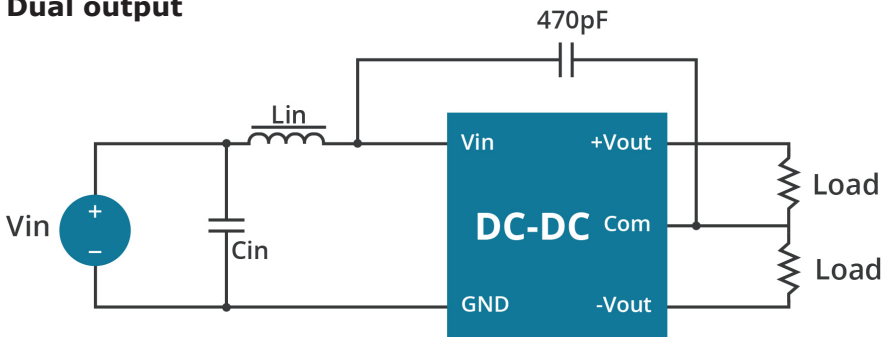
**Figure 2**  
Single output



**Table 1**  
Single output

Recommended EMI Filter Values				
Vin	Class A		Class B	
	Cin	Lin	Cin	Lin
5	1 µF	10 µH	2.2 µF	10 µH
12	1 µF	10 µH	2.2 µF	10 µH
24	2.2 µF	10 µH	2.2 µF	22 µH

**Figure 3**  
Dual output



**Table 2**  
Dual output

Recommended EMI Filter Values				
Vin	Class A		Class B	
	Cin	Lin	Cin	Lin
5	1 µF	10 µH	2.2 µF	10 µH
12	1 µF	10 µH	2.2 µF	10 µH
24	2.2 µF	10 µH	2.2 µF	22 µH

## REVISION HISTORY

---

rev.	description	date
1.0	initial release	10/04/2024
1.01	company address updated	11/05/2024
1.02	EMI tables updated	02/05/2025
1.03	EMI tables updated	09/09/2025

The revision history provided is for informational purposes only and is believed to be accurate.



**CUI INC**

a bel group

15575 SW Sequoia Pkwy #100  
Portland, OR 97224  
800.275.4899

Fax 503.612.2383  
Belfuse.com  
powersupport@belf.com

CUI offers a two (2) year limited warranty. Complete warranty information is listed on our website.

CUI reserves the right to make changes to the product at any time without notice. Information provided by CUI is believed to be accurate and reliable. However, no responsibility is assumed by CUI for its use, nor for any infringements of patents or other rights of third parties which may result from its use.

CUI products are not authorized or warranted for use as critical components in equipment that requires an extremely high level of reliability. A critical component is any component of a life support device or system whose failure to perform can be reasonably expected to cause the failure of the life support device or system, or to affect its safety or effectiveness.