

HCP16DTE4L04 ✓ ACTIVE

ALCOSWITCH | ALCOSWITCH HCP

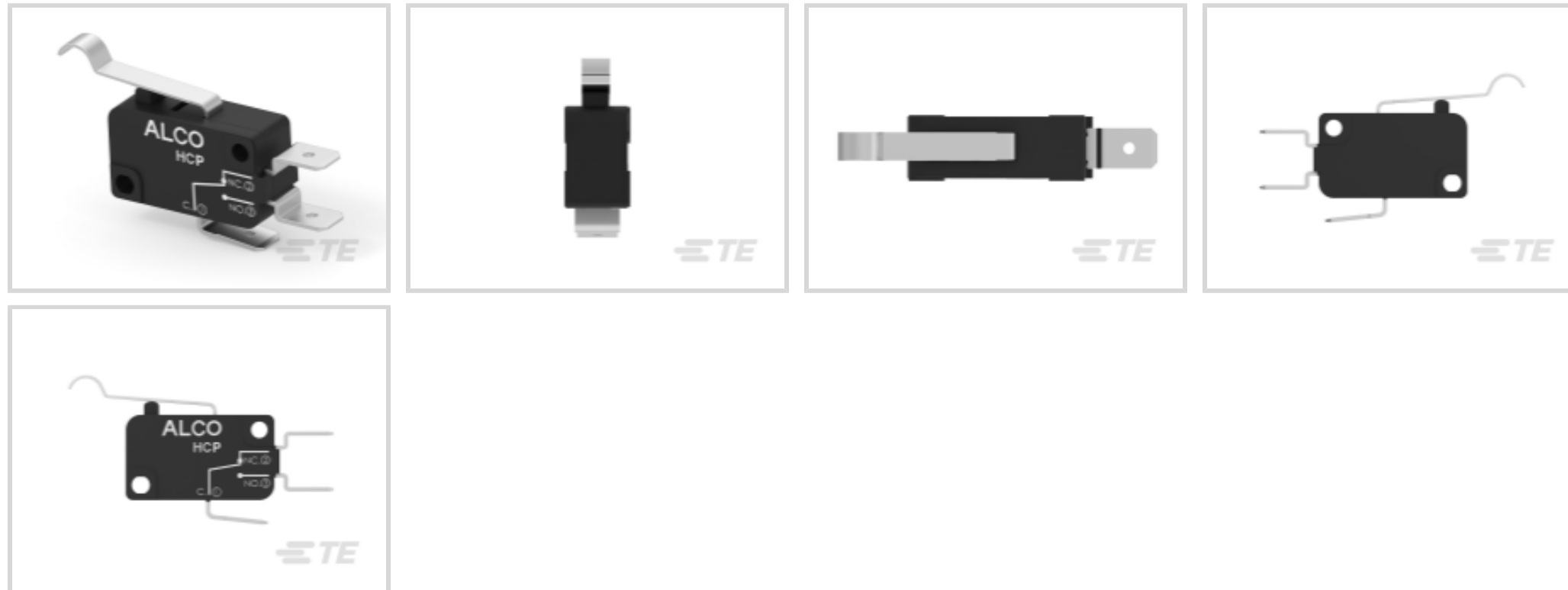
TE Internal #: 2-2435260-0

16 A Snap Action Switch, Single Pole - Double Throw Configuration (Pole-Throw), Roller, Simulated Actuator, 125 VAC / 250 VAC, ALCOSWITCH HCP

[View on TE.com >](#)



Switches > Snap Action Switches > HCP



Contact Current Rating: **16 A**

Configuration (Pole-Throw): **Single Pole - Double Throw**

Actuator Style: **Roller, Simulated Actuator**

Operating Voltage: **125 VAC, 250 VAC**

Operating Force: **90 g [3.174 oz]**

[All HCP \(72\)](#)

Features

Product Type Features

Actuator Style	Roller, Simulated Actuator
Switch Style	Miniature
Switch Connection Type	Quick Connect Terminal

Configuration Features

Operating Position	18.7 mm[.736 in]
Configuration (Pole-Throw)	Single Pole - Double Throw

Electrical Characteristics

Contact Current Rating	16 A
Operating Voltage	125 VAC, 250 VAC

Body Features

Releasing Force	10 g[.352 oz]
Movement Differential	1.1 mm[.043 in]

Product Orientation	Vertical
---------------------	----------

Dimensions

Pre Travel	5.5 mm[.216 in]
------------	-----------------

Operation/Application

Operating Force	90 g[3.174 oz]
-----------------	----------------

Other

Over Travel	1.9 mm[.074 in]
-------------	-----------------

Product Compliance

[For compliance documentation, visit the product page on TE.com>](#)

EU RoHS Directive 2011/65/EU	Compliant
EU ELV Directive 2000/53/EC	Not Yet Reviewed
China RoHS 2 Directive MIIT Order No 32, 2016	有害物质含量符合标准要求 No Restricted Substance(s) Above Threshold
EU REACH Regulation (EC) No. 1907/2006	Current ECHA Candidate List: JUNE 2025 (250) Candidate List Declared Against: JUNE 2023 (235) Does not contain REACH SVHC
Halogen Content	Not Low Halogen - contains Br or Cl > 900 ppm.
Solder Process Capability	Not reviewed for solder process capability

Product Compliance Disclaimer

This information is provided based on reasonable inquiry of our suppliers and represents our current actual knowledge based on the information they provided. This information is subject to change. The part numbers that TE has identified as EU RoHS compliant have a maximum concentration of 0.1% by weight in homogenous materials for lead, hexavalent chromium, mercury, PBB, PBDE, DBP, BBP, DEHP, DIBP, and 0.01% for cadmium, or qualify for an exemption to these limits as defined in the Annexes of Directive 2011/65/EU (RoHS2). Finished electrical and electronic equipment products will be CE marked as required by Directive 2011/65/EU. Components may not be CE marked. Additionally, the part numbers that TE has identified as EU ELV compliant have a maximum concentration of 0.1% by weight in homogenous materials for lead, hexavalent chromium, and mercury, and 0.01% for cadmium, or qualify for an exemption to these limits as defined in the Annexes of Directive 2000/53/EC (ELV). Regarding the REACH Regulations, TE's information on SVHC in articles for this part number is still based on the European Chemical Agency (ECHA) 'Guidance on requirements for substances in articles' (Version: 2, April 2011), applying the 0.1% weight on weight concentration threshold at the finished product level. TE is aware of the European Court of Justice ruling of September 10th, 2015 also known as O5A (Once An Article Always An Article) stating that, in case of 'complex object', the threshold for a SVHC must be applied to both the product as a whole and simultaneously to each of the articles forming part of its composition. TE has evaluated this ruling based on the new ECHA "Guidance on requirements for substances in articles" (June 2017, version 4.0) and will be updating its statements accordingly.

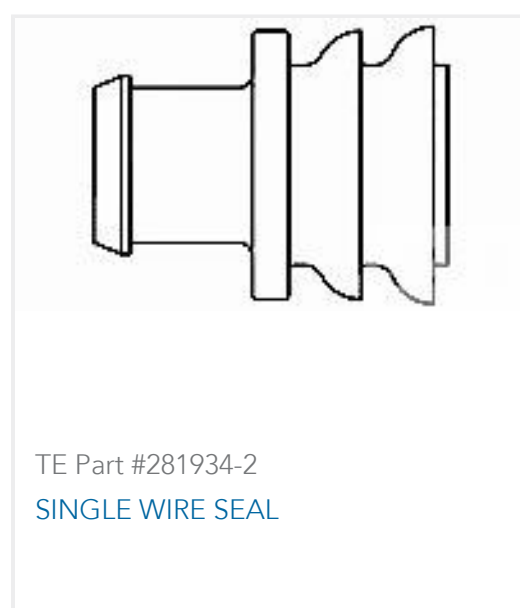
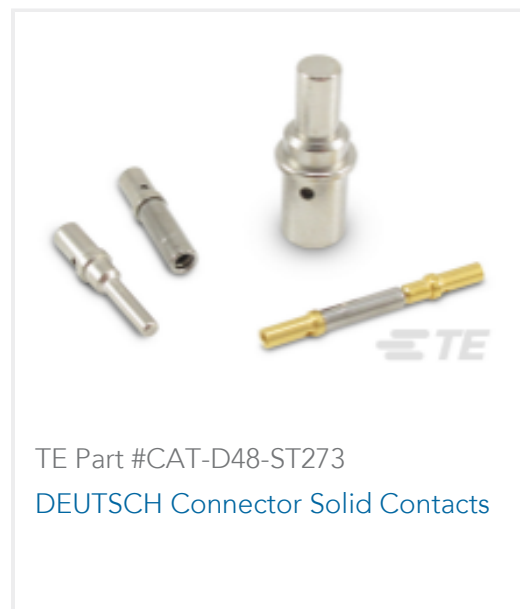
Compatible Parts



Also in the Series | [ALCOSWITCH HCP](#)



Customers Also Bought



Documents

Product Drawings

[HCP16A, Lgt Force, 0.250 Term.Smt Roller](#)

English

CAD Files

[Customer View Model](#)

[ENG_CVM_CVM_2-2435260-0_A.3d_igs.zip](#)



English

Customer View Model

[ENG_CVM_CVM_2-2435260-0_A.3d_stp.zip](#)

English

Customer View Model

[ENG_CVM_CVM_2-2435260-0_A.2d_dxf.zip](#)

English

3D PDF

3D

By downloading the CAD file I accept and agree to the [Terms and Conditions](#) of use.

Datasheets & Catalog Pages

[ALCOSWITCH_HCP_SERIES](#)

English